



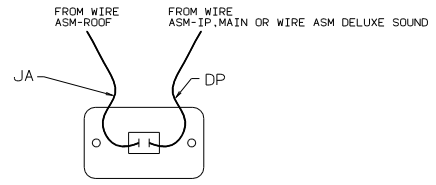
DANGER

Danger of electrical shock, burns or death. Always remove all power sources before attempting any repair, service or diagnostic work. Power can be present from shore power, generator, inverter or battery. All power sources must be disabled and secured before performing any service.



CAUTION

If you lack the skills, tools or equipment to perform diagnostic or repair work leave such work to an authorized Winnebago Industries dealer or other qualified shop.



DETAIL DB

▲ PLUG-PLASTIC 61420-10-000 (2)

(20F) (42R) AMPLIFIER-TV
 115540-01-000
 FASTENER-DUAL LOCK
 85774-01-000
 85774-02-000
 (SEE DETAIL DA)

PLATE-COAX
 134006-01-CHT
 LABEL-SAT
 134250-01-CHT
 ADAPTER
 82134-01-000 (2)
 NUT
 82136-01-000 (2)
 SCREW
 G67-10-08U (2)

HA
 OR
 JA
 OR
 KA

(RCP-2)
 OVHD
 (SEE DETAIL DC)

INVERTER-300 WATT
 99048-04-000
 FASTENER-DUAL LOCK
 85774-01-000
 85774-02-000

PLATE-WALL, ANTENNA
 86784-03-CHT (193)

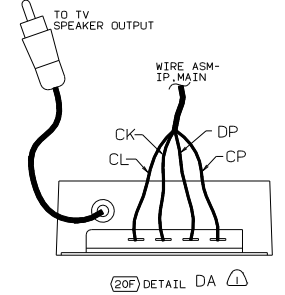
SWITCH
 89308-01-CHT
 PLATE-SWITCH
 98351-09-CHT
 SCREW
 G11-06-10J (2)
 (SEE DETAIL DB)

CONTROL CENTER-SWITCHING
 86757-04-000
 SCREW
 G39-10-10B (2)
 TAPE-FDAM

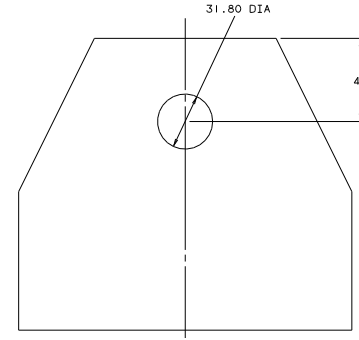
VCR-VHS
 126697-07-000 (72H)
 124073-11-000 (20C)
 FASTENER-DUAL LOCK
 85774-01-000
 85774-02-000

TV-25" COLOR
 133377-01-000 (42R)
 TV-25" COLOR STEREO (20C)
 130121-06-000

DVD PLAYER (25F)
 136764-02-000
 FASTENER-DUAL LOCK
 85774-01-000
 85744-02-000



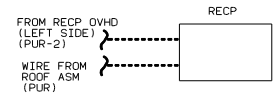
(20F) DETAIL DA



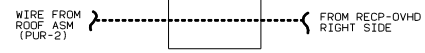
- (20C) (25F) DIGITAL VIDEO DISC PLAYER
- (20C) SOUND SYS. DLX. W/O-SURROUND
- (79J) INVERTER/CHARGER-1,500 WATT
- (40B) INVERTER-DC/AC. 300 WATT
- (72H) VCR
- (42R) TV-25" COLOR
- (35P) VIDEO SELECTION SYSTEM
- (20F) DELUXE SOUND SYSTEM-WITHOUT
- (193) TV ANTENNA



DETAIL DC (40B)



DETAIL DD (79J)



DETAIL DC (79J)



DETAIL DD (40B)

- (5) CONNECT PURPLE-2 TO INVERTER WITH FEATURE (40B).
- (4) SLIT AS NEEDED TO RUN WIRES.
- 3. WHERE WIRES PASS THROUGH HOLES IN STEEL AND ARE NOT OTHERWISE PROTECTED. USE GROMMET 92908-02-000.
- (2) REMOVE VINYL FROM CUTOUT AT INSTALLATION.
- (1) NOT USED WITH (20C) SOUND SYSTEM-DLX.

NOTES:

(X-X)
 FOR
 DETAIL
 CALLOUTS
 SEE DWG NO.
 130375-01-000

WIRING INSTL-TV/VCR_FRONT
 SHEET 4 OF 10 I.F. NO. 137576