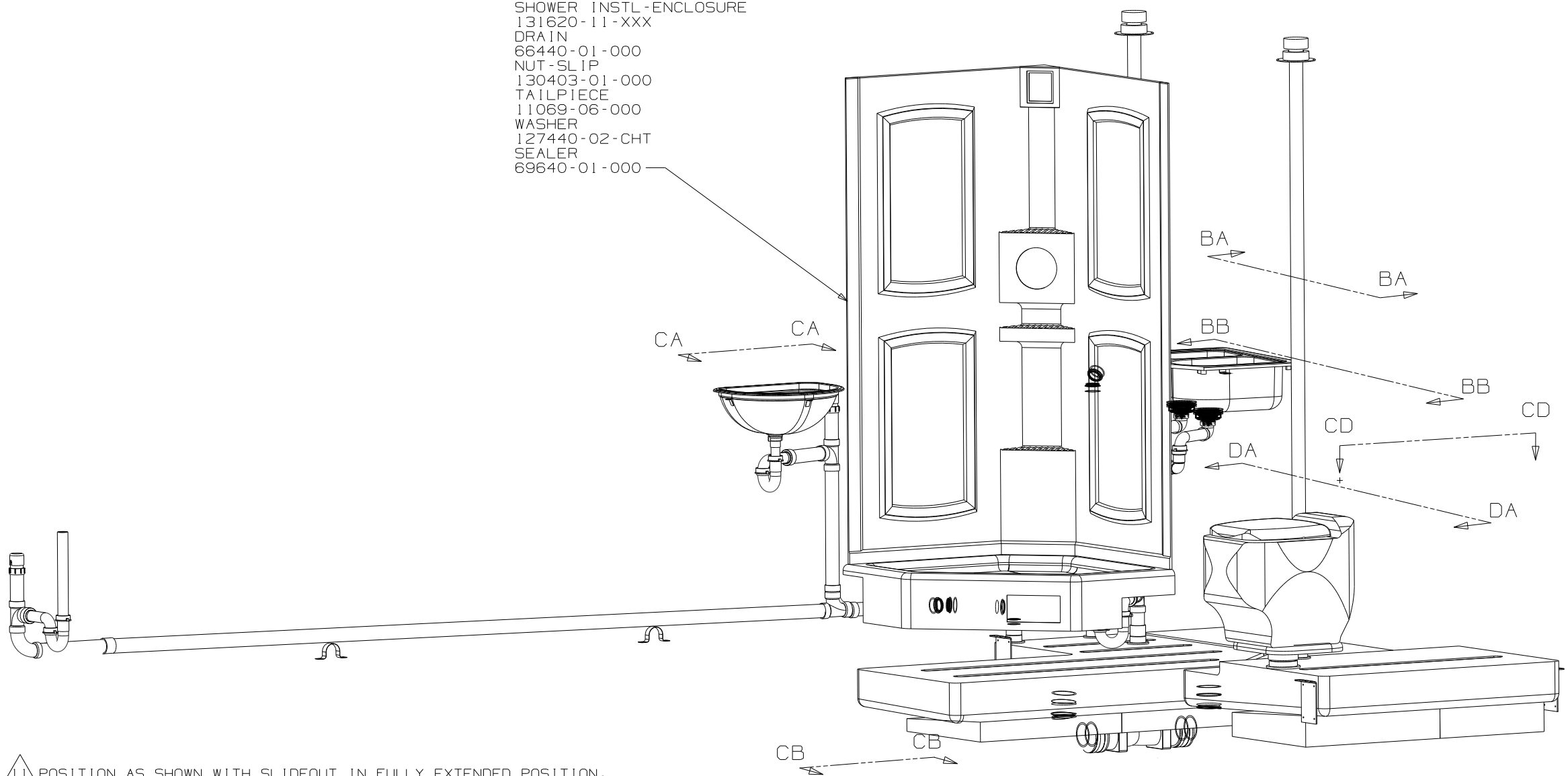


DWG NO	----
138263-01	RH SHOWN
138263-02	LH OPPOSITE

RELEASE	REV DATE	DWG NO	138263
REV ZONE	REVISION RECORD	DATE	DFTR-ORIG

SHOWER INSTL - ENCLOSURE  
 131620-11-XXX  
 DRAIN  
 66440-01-000  
 NUT-SLIP  
 130403-01-000  
 TAILPIECE  
 11069-06-000  
 WASHER  
 127440-02-CHT  
 SEALER  
 69640-01-000



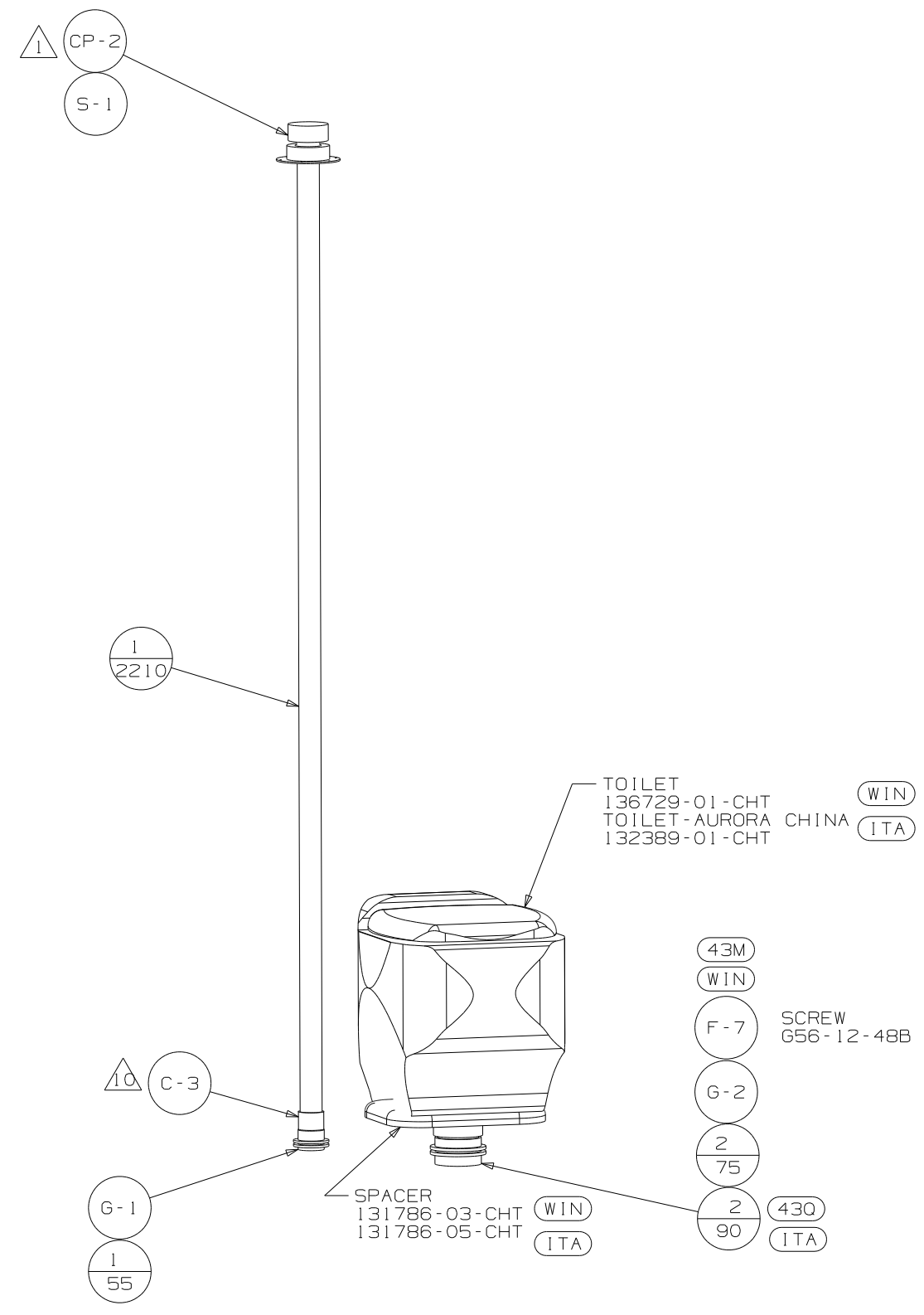
- (215) DISHWASHER WITHOUT
- (21N) DISHWASHER
- (430) TOILET PORCELAIN
- (43M) TOILET PORCELAIN-ELONGATE
- (ITA) ITASCA ONLY
- (WIN) WINN ONLY
- (21M) WASH/DRY PREP
- (265) CODES/STDS-CSA/CMVSS
- (1B1) CODES/STANDARDS-USA

- 1 POSITION AS SHOWN WITH SLIDEOUT IN FULLY EXTENDED POSITION.
- 10 SECURE VENT TUBES TO FLOOR WITH BRACKET 136878-01-CHT (4) CLAMP 62401-02-000, SCREW G67-10-12B (4).
- 9 SECURE PIPES TO CABINET USING WIRE TIE 108046-02-000 AND SCREW G67-10-12U (A/R).
- 8 TRIM P-TRAP EXTENSION TO FIT.
- 7 VALVE TERMINATION TEE TO BE POSITIONED AT 10° DOWN AND OUTBOARD.
- 6. SEAL AROUND SHOWER WITH SILICONE.
- 5. ALL EXTERIOR OPENINGS AROUND PIPE TO BE SEALED WITH 110744-01-000.
- 4. ALL PIPE AND FITTING TO BE ASSEMBLED WITH SOLVENT 4020-01-000.
- 3. SLOPE OF TRAP ARM MUST BE 6 PER 305 mm.
- 2. SLOPE OF HORIZONTAL PIPING TO BE 6 PER 305 mm.
- 1 VENT PIPE MUST PROJECT 51 MIN AND 64 MAX ABOVE ROOF FOR PROPER FIT.

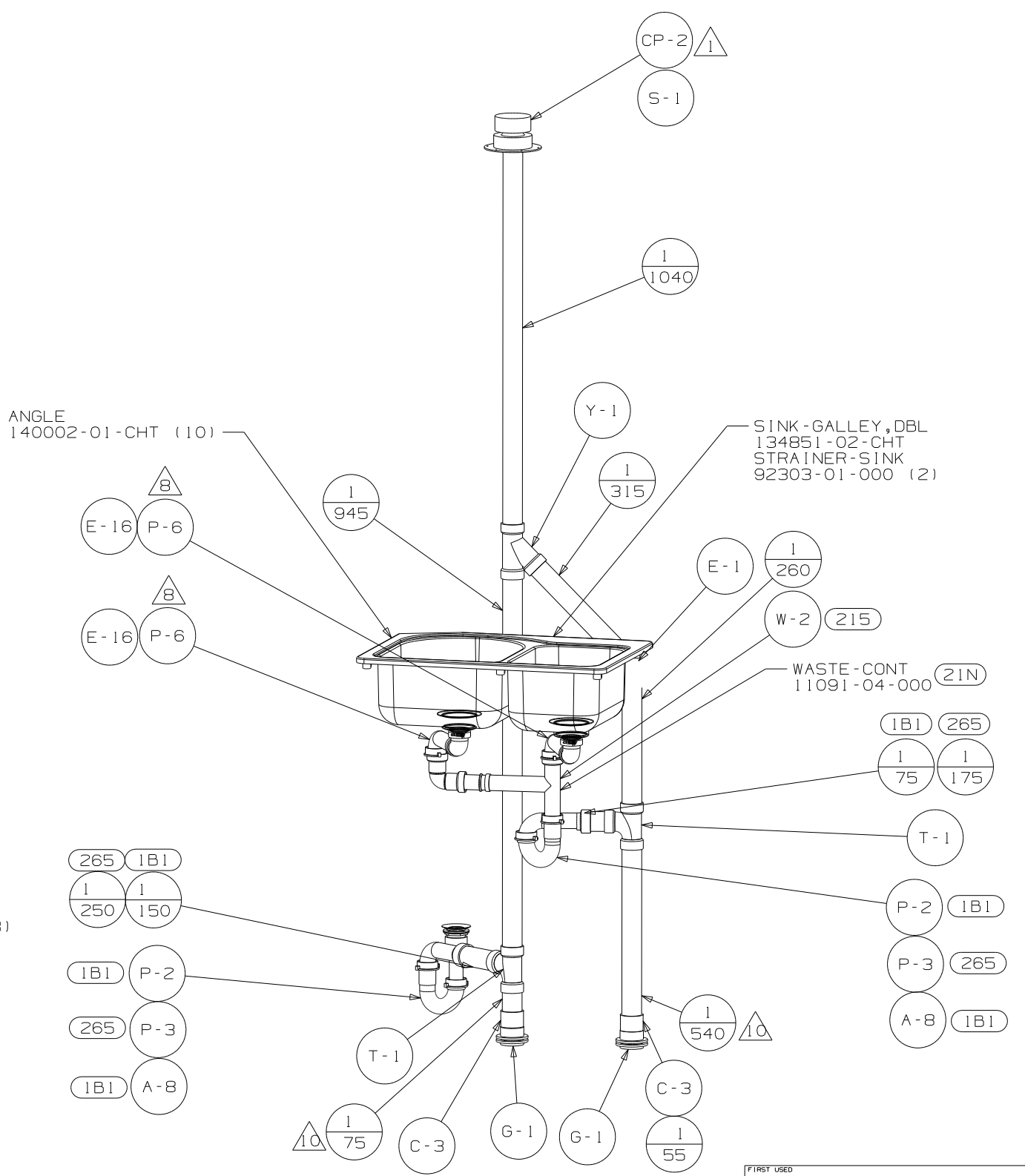
NOTES:

FOR DRAINAGE CALLOUTS SEE DWG NO 116229-01-000

<b>WINNEBAGO</b>		COPYRIGHT 2002 WINNEBAGO INDUSTRIES, INC.	
DFTR	ORIG. DATE	ALL DIMENSIONS ARE IN MILLIMETERS	
CHKR		FIRST USED	
P.E.		02 L39T	
M.E.		UNSPECIFIED TOLERANCES ARE:	
DSNR		MATERIAL:	
		WHOLE DIM (X) :	
		ONE-PLACE (X.X) :	
		TWO-PLACE (X.XX) :	
		ANGLE :	
THIRD ANGLE PROJECTION		DO NOT SCALE DRAWING	
		TITLE: DRAINAGE SYSTEM INSTL	
SHEET 1 OF 4		PART NO 138263	
REF: 1			



VIEW BA-BA



VIEW BB-BB

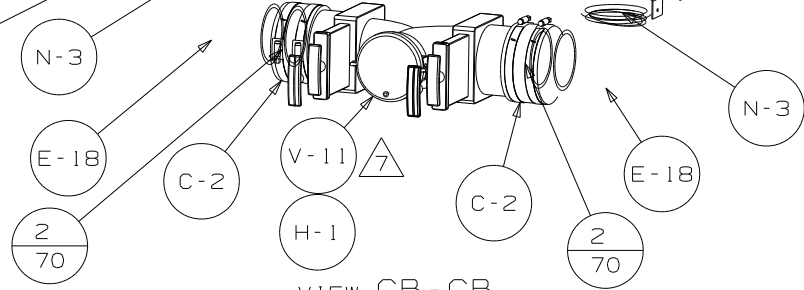
FIRST USED	02 L39T
DO NOT SCALE DRAWING	
TITLE	DRAINAGE SYSTEM INSTL
SHEET 2	PART NO 138263

TANK - HOLDING  
138265-02-CHT

SUPPORT ASM - HOLDING TANK  
133839-02-CHT  
SCREW  
G39-10-20T (2)

ANGLE - FORMED  
132871-03-CHT  
SCREW  
G39-10-20T (2)  
G39-10-12T (2)

TANK - HOLDING  
138264-02-CHT

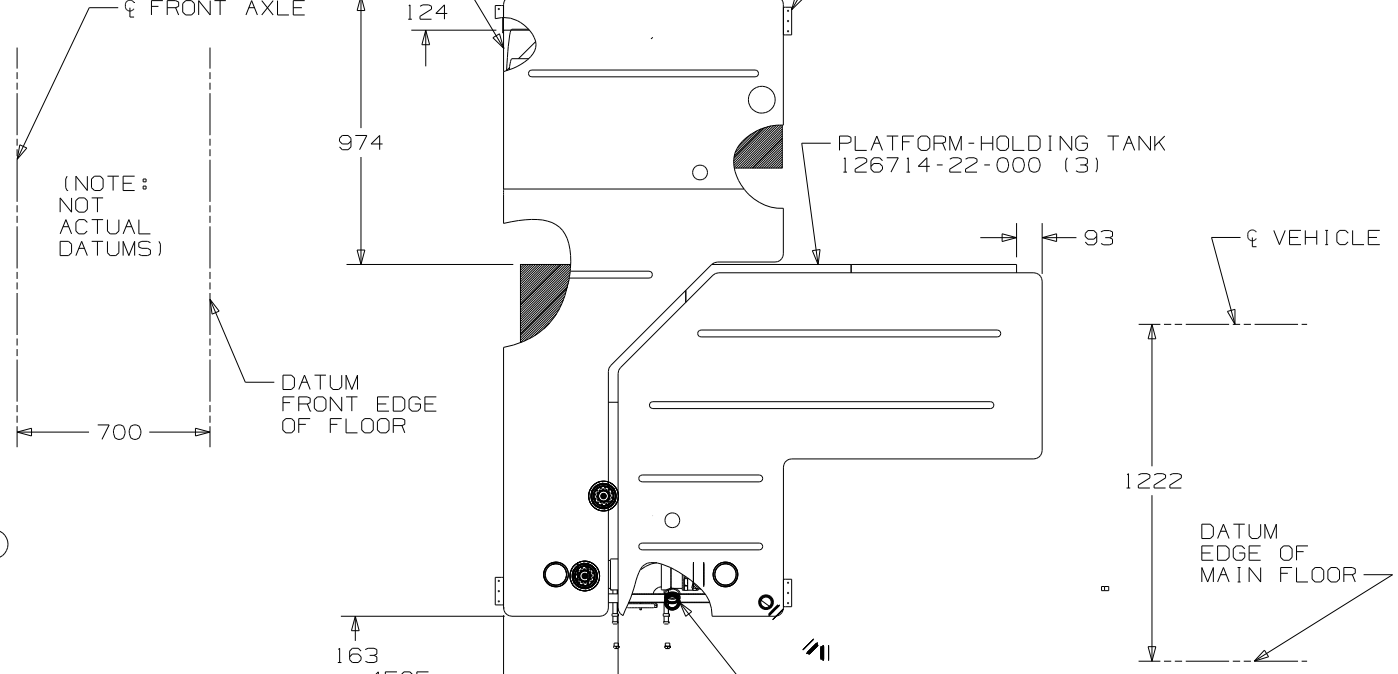


VIEW CB-CB

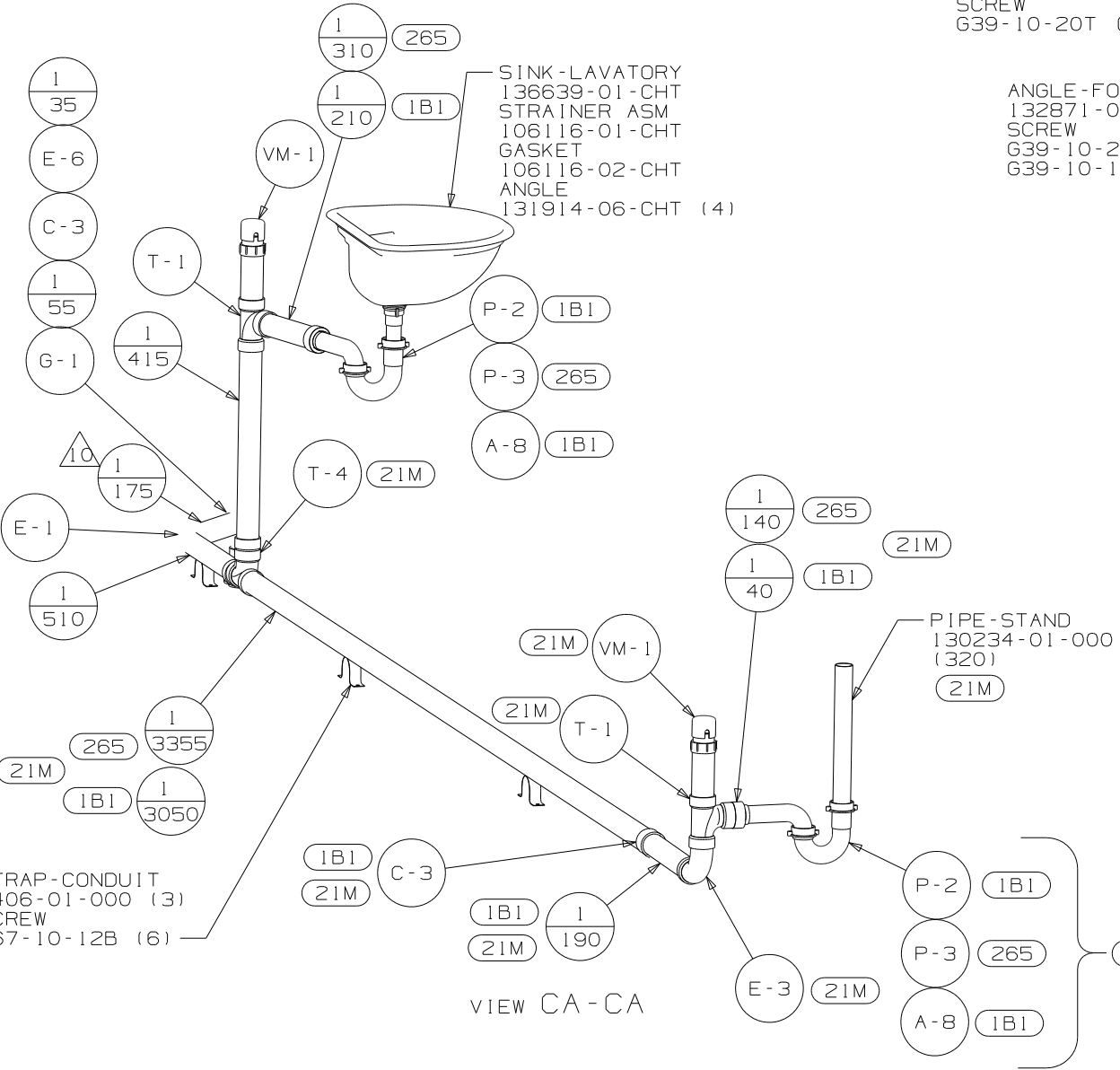
PLATFORM - HOLDING TANK  
126714-23-000

BRACKET - ANGLE  
94756-01-CHT (4)

PLATFORM - HOLDING TANK  
126714-22-000 (3)



VIEW CD-CD



VIEW CA-CA

STRAP - CONDUIT  
8406-01-000 (3)  
SCREW  
G67-10-12B (6)

PIPE - STAND  
130234-01-000 (320)  
(21M)

FIRST USED		02 L39T	
DO NOT SCALE DRAWING			
TITLE: DRAINAGE SYSTEM INSTL			
SHEET 3	PART NO 138263		

CABINET ASM-GALLEY

DB

DB

HOSE - DISHWASHER (2IN)  
139567-01-000 (3960)  
CLAMP  
62401-01-000

HINGED PANEL ON  
GALLEY STORAGE CABINET

DC

DC

BRACKET-CARRIER  
138725-01-CHT  
SCREW  
G67-10-12B (6)

BRACKET-COVER

VIEW DB-DB

(2IN) COUPLING-REDUCING  
139571-01-000  
CLAMP  
62401-01-000 (2)

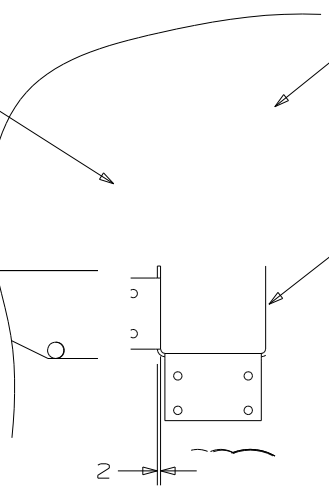
DETAIL DA-DA

HOSE  
(SUPPLIED W/ DISHWASHER)

CABINET ASM-GALLEY

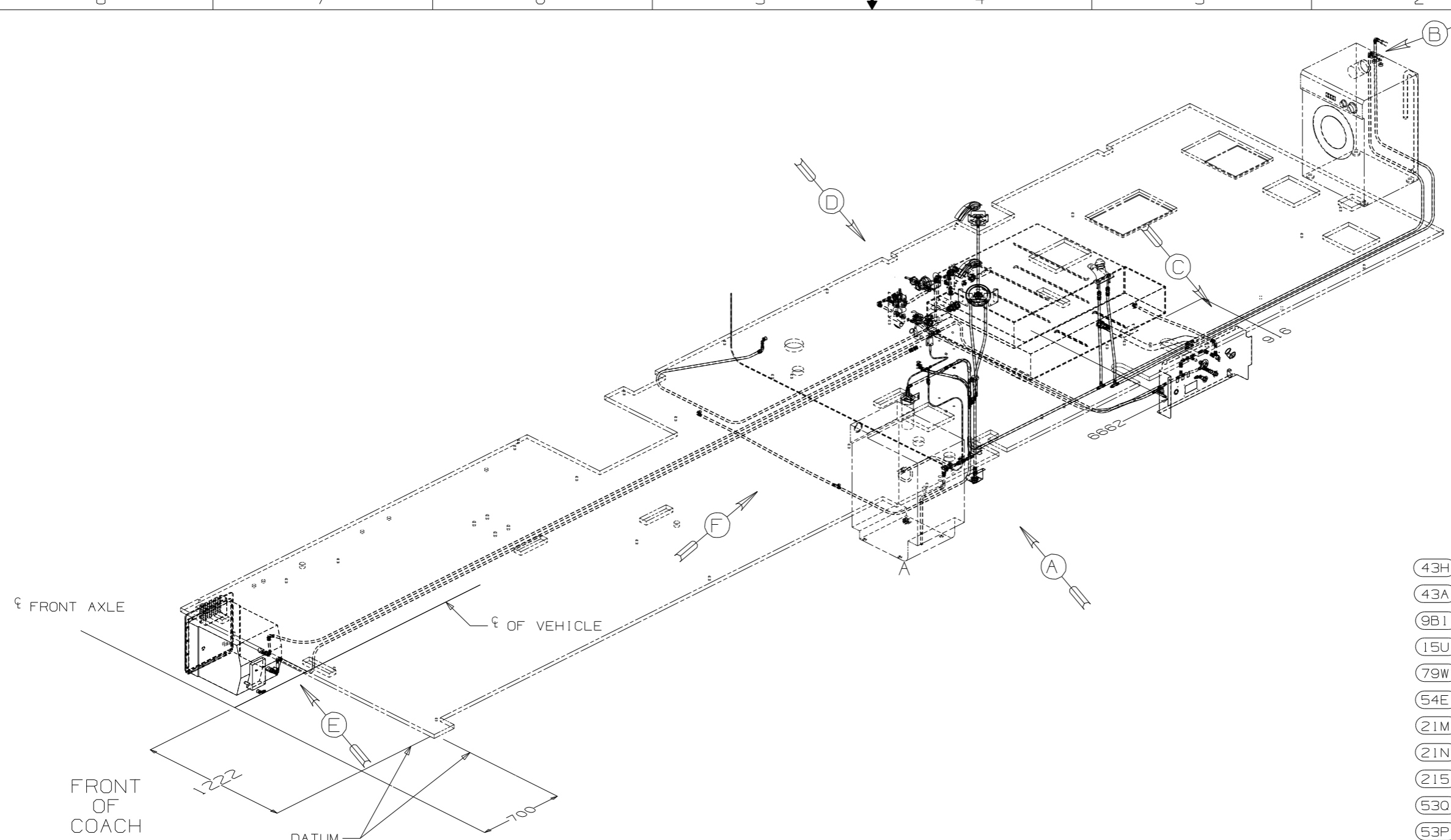
BRACKET-COVER

BRACKET-CARRIER



VIEW DC-DC

FIRST USED	02 L39T
TITLE	DO NOT SCALE DRAWING DRAINAGE SYSTEM INSTL
SHEET 4	PART NO 138263



- (43H) SHOWER HEAD-HAND HELD
- (43A) SHOWER HEAD-FIXED
- (9B1) SHOWER PACKAGE
- (15U) REFRIGERTATOR/FRZR W/ICEMAKER
- (79W) REFRIGERATOR-4 DR
- (54E) WASHER/DRYER
- (21M) WASHER/DRYER PREP
- (21N) DISHWASHER/BUILT IN
- (215) DISHWASHER WITHOUT
- (530) WINTERIZE KIT
- (53P) WINTERIZE VALVE, MANUAL

- NOTES:
- 8. APPLY DECAL INSIDE OF UPPER SHOWER HEAD HOLDER TO RETAIN HAND SHOWER UNIT INSIDE HOLDER.
  - 7. ADD TEFLON TAPE 10405-03-000.
  - 6. ADD TEFLON TAPE 10405-02-000.
  - 5. ADD TEFLON TAPE 10405-01-000.
  - 4. FLUSHING SYSTEM REQUIRES 125697-06-000 INSTRUCTION SHEET.
3. ALL TUBING TO BE SECURED AT 1200 INTERVALS MAXIMUM WITH CLAMP 10495-01-000 OR CLIP 9151-01-000 AND SCREW G67-10-12B.
  2. TUBING TO BE INSTALLED WITH SUFFICIENT SLOPE TO PROVIDE DRAINAGE TO NEAREST VALVE.
  1. PLASTIC FITTINGS TO BE SEALED WITH SEALANT 84456-01-000.

(X-X)  
FOR  
WATER  
CALLOUTS  
SEE DWG NO  
116230-01-000

<b>WINNEBAGO</b>		COPYRIGHT 2002 WINNEBAGO INDUSTRIES, INC.	
DFTG	ORIG. DATE		
CHKR		ALL DIMENSIONS ARE IN MILLIMETERS	
P.E.			
M.E.	FIRST USED		
DSNR		02 L39T	
UNSPECIFIED TOLERANCES ARE:		MATERIAL:	
WHOLE DIM (X)	: 1		
ONE-PLACE (X.X)	: 1.5		
TWO-PLACE (X.XX)	: 0.50		
ANGLE	: 1°		
THIRD ANGLE PROJECTION		DO NOT SCALE DRAWING	
TITLE: WATER SYSTEM INSTL			
SHEET 1 OF 5		PART NO 138262	

BRACKET-SHOWER HEAD  
131551-01-CHT  
PLATE-COVER, SHOWER HEAD  
131549-01-CHT

VALVE-SHOWER HEAD  
128974-01-CHT (43A)

FAUCET-SHOWER  
131340-02-CHT

DROP ELL  
135028-01-CHT  
SHOWER HEAD  
129390-03-CHT  
SPACER  
130041-01-CHT  
FILM  
109506-12-000

FAUCET-WASHER  
98419-01-000 (2)

4 BREAKER-VACUUM  
125697-04-000  
MUST BE MOUNTED ABOVE  
TOILET FLOOD LEVEL  
6 CHECK VALVE  
125697-03-000

FAUCET-SHOWER  
131340-01-CHT (43A)

BRACKET-SHOWER  
131554-01-CHT

FAUCET-LAV  
128997-01-CHT

FAUCET-WATER  
103635-01-000

FAUCET GALLEY  
123744-03-CHT

DETAIL G

DETAIL H (43H)  
(9B1)

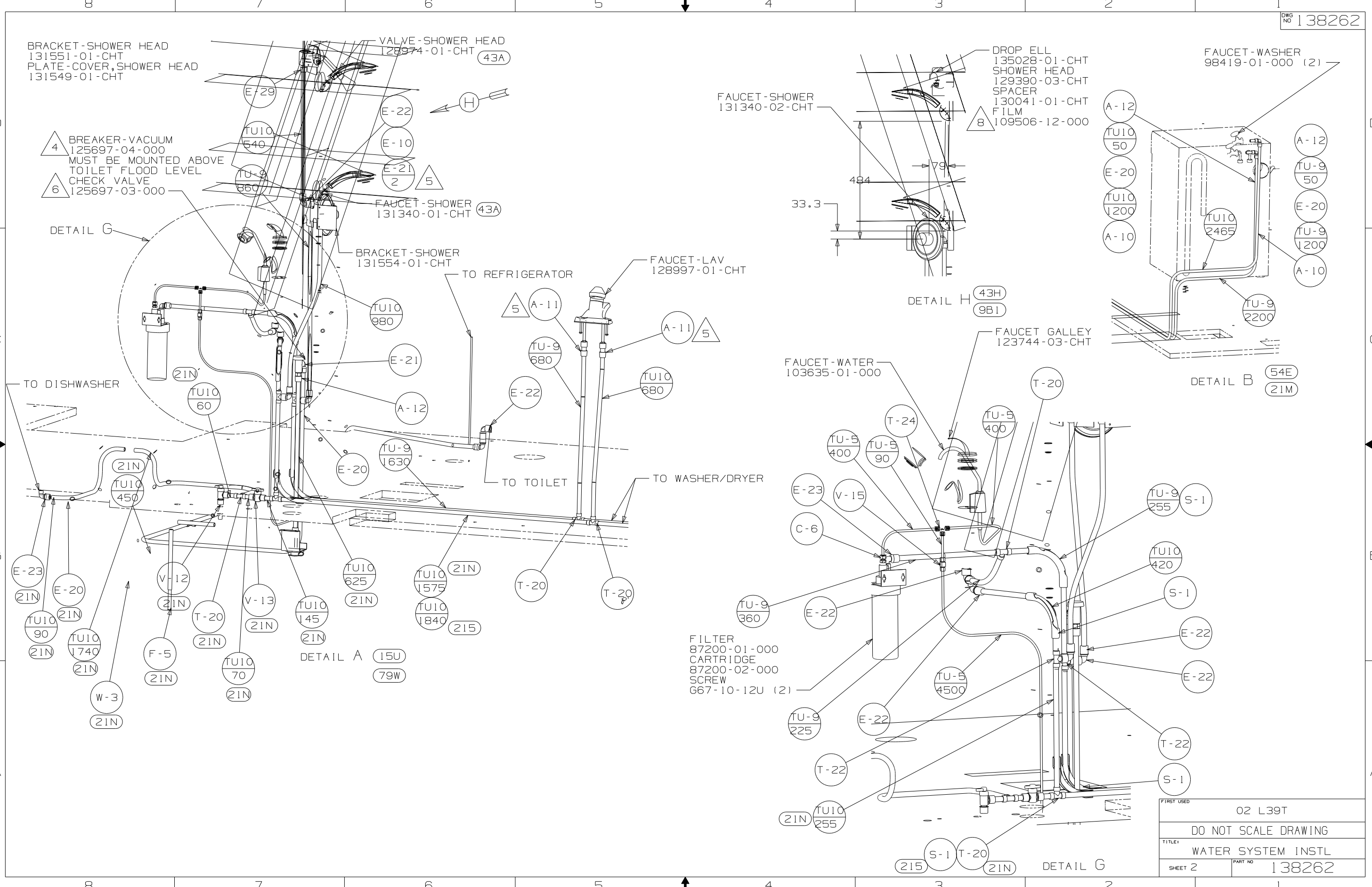
DETAIL B (54E)  
(21M)

DETAIL A (15U)  
(79W)

FILTER  
87200-01-000  
CARTRIDGE  
87200-02-000  
SCREW  
667-10-12U (2)

DETAIL G

FIRST USED	02 L39T
DO NOT SCALE DRAWING	
TITLE	WATER SYSTEM INSTL
SHEET 2	PART NO 138262



TO WASHER/DRYER

TO LAVATORY

TO WATER HEATER

TO TOILET

FILL-WATER, CITY  
110915-01-CHT

PLUG-PLASTIC  
61420-04-000  
530

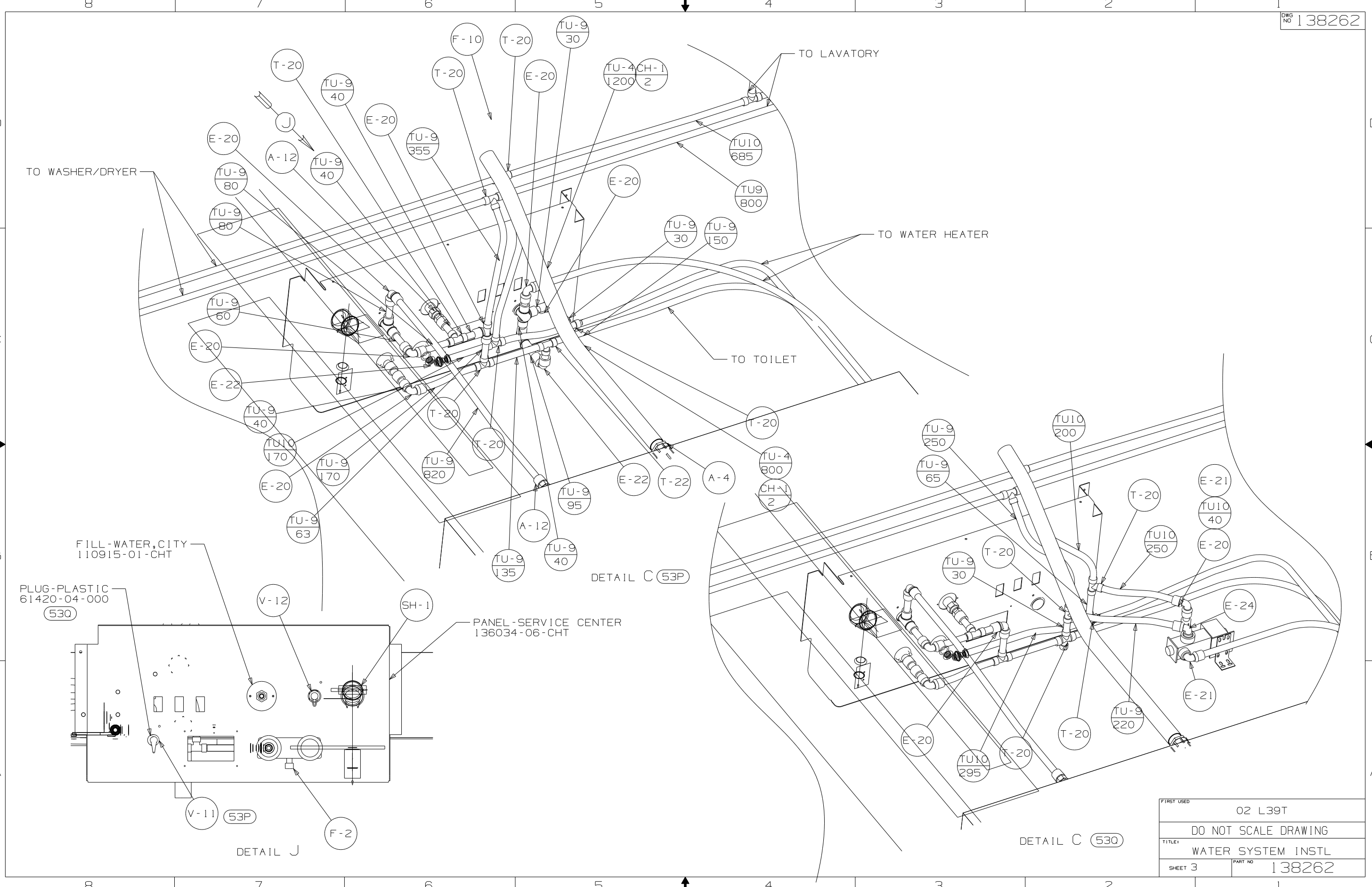
PANEL-SERVICE CENTER  
136034-06-CHT

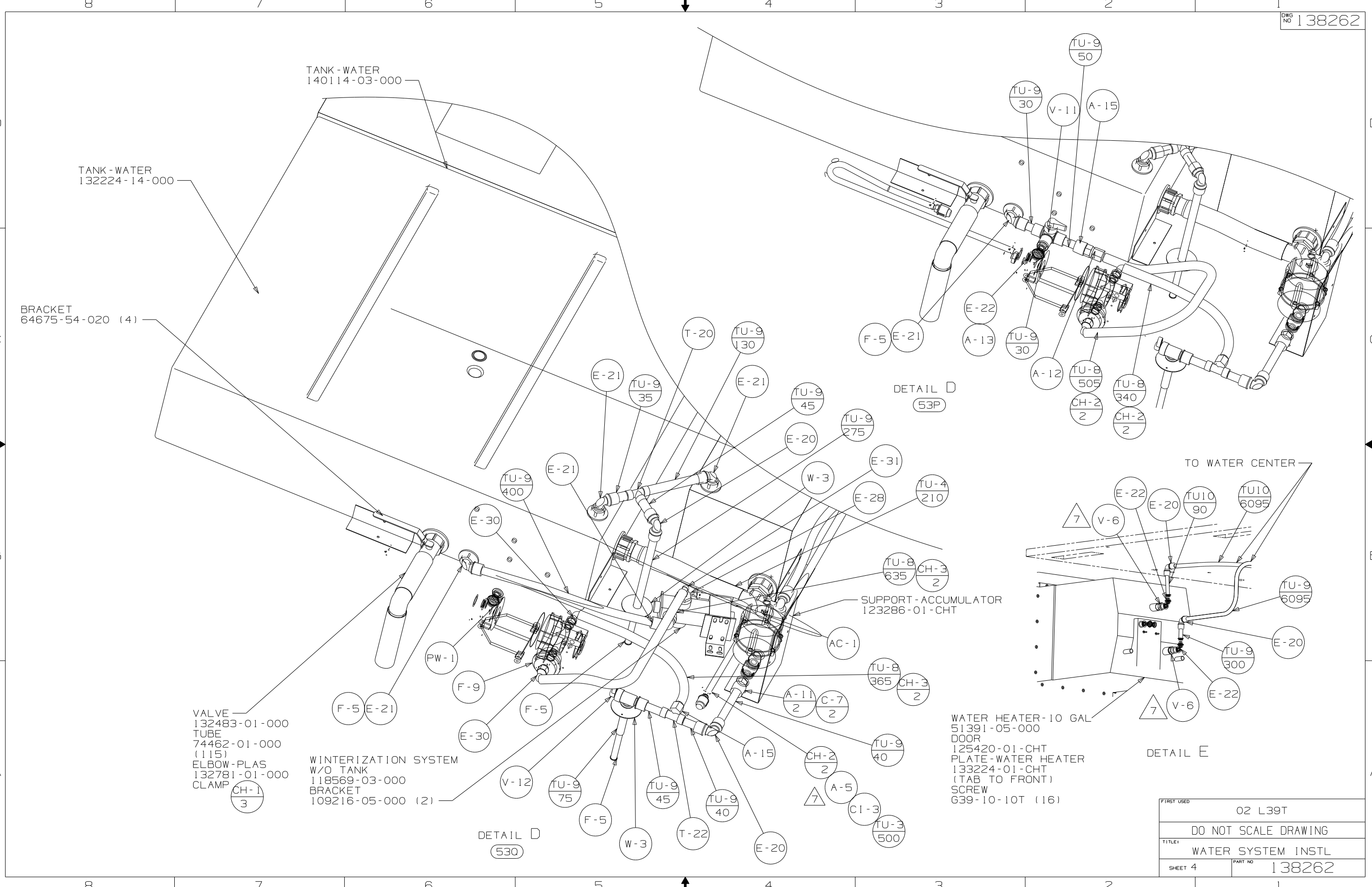
DETAIL C 53P

DETAIL C 530

DETAIL J

FIRST USED	02 L39T
TITLE:	DO NOT SCALE DRAWING
SHEET 3	PART NO 138262





FIRST USED	02 L39T
TITLE	DO NOT SCALE DRAWING
SHEET 4	PART NO 138262



8

7

6

5

4

3

2

1

D

D

C

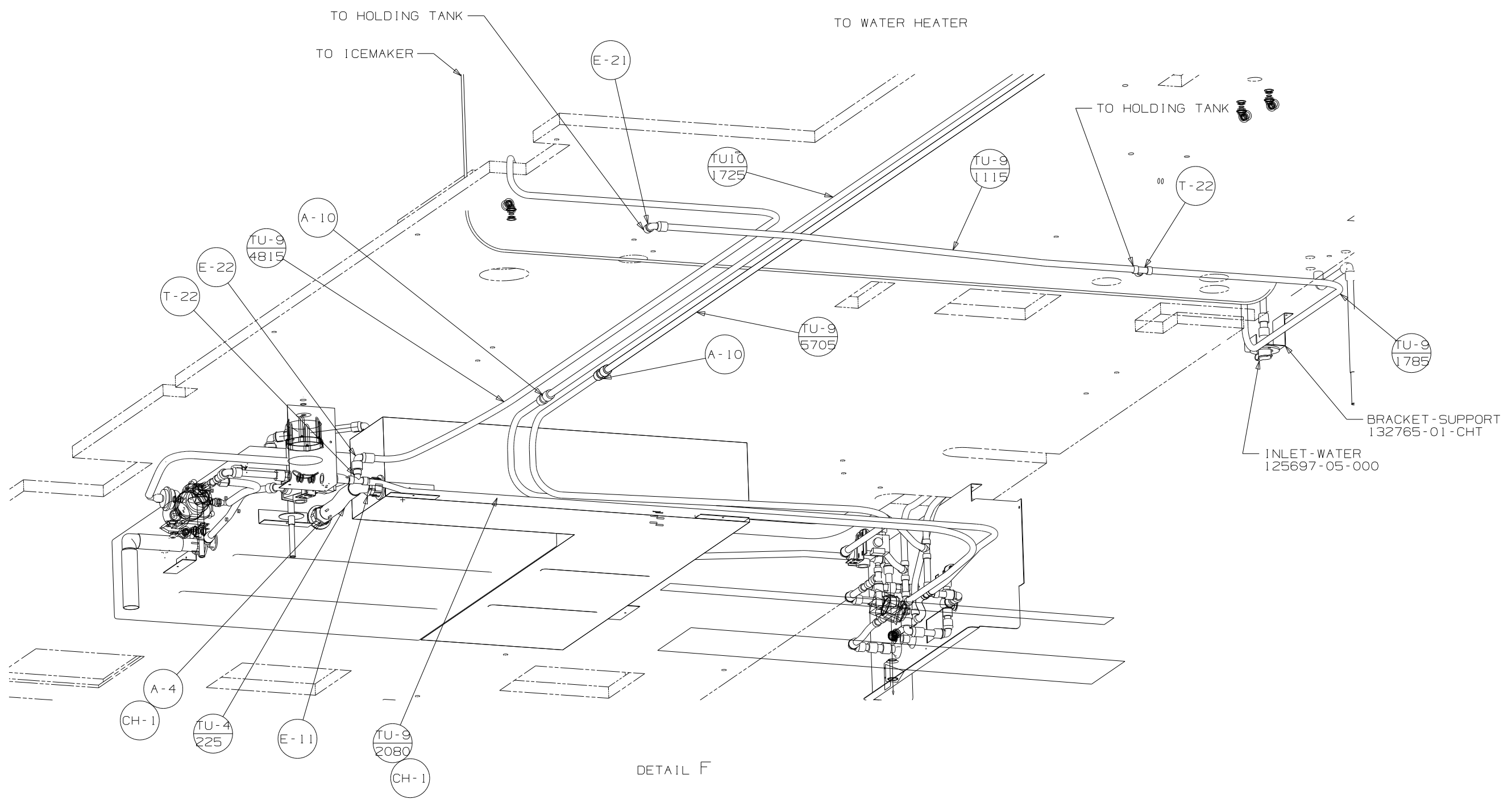
C

B

B

A

A



DETAIL F

FIRST USED	02 L39T
TITLE	DO NOT SCALE DRAWING
SHEET 5	PART NO 138262

8

7

6

5

4

3

2

1