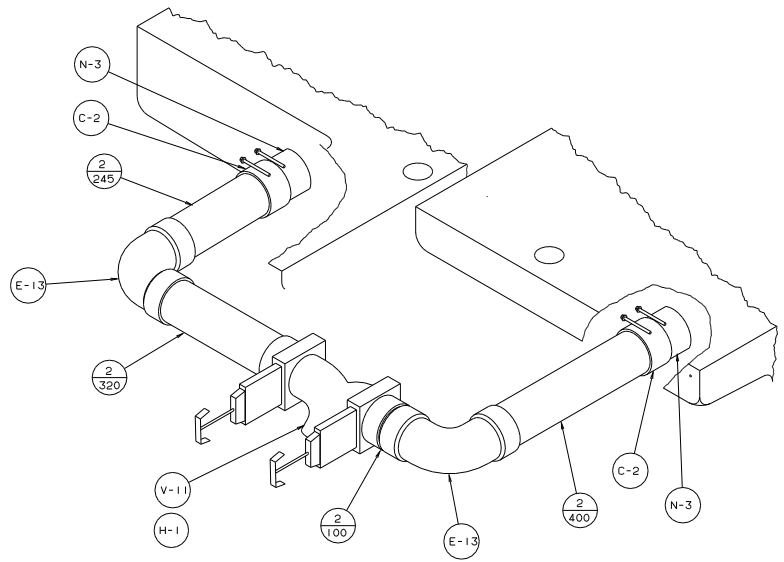
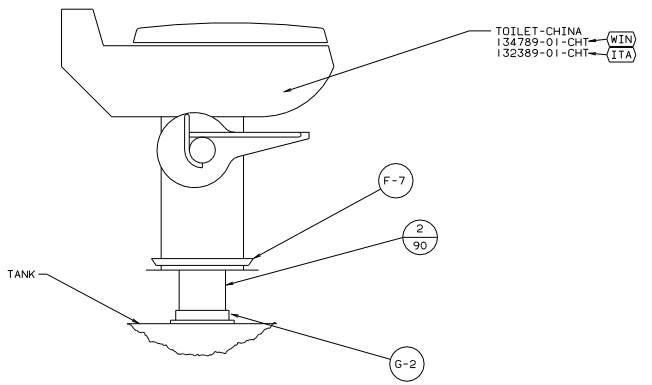


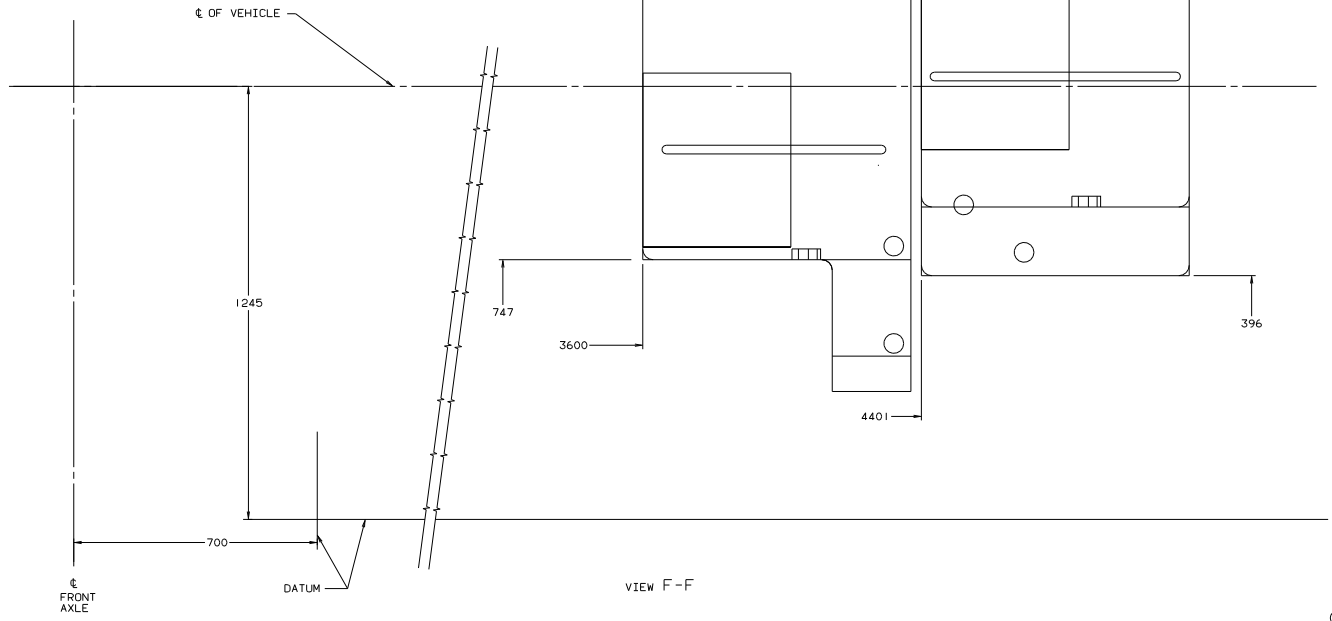
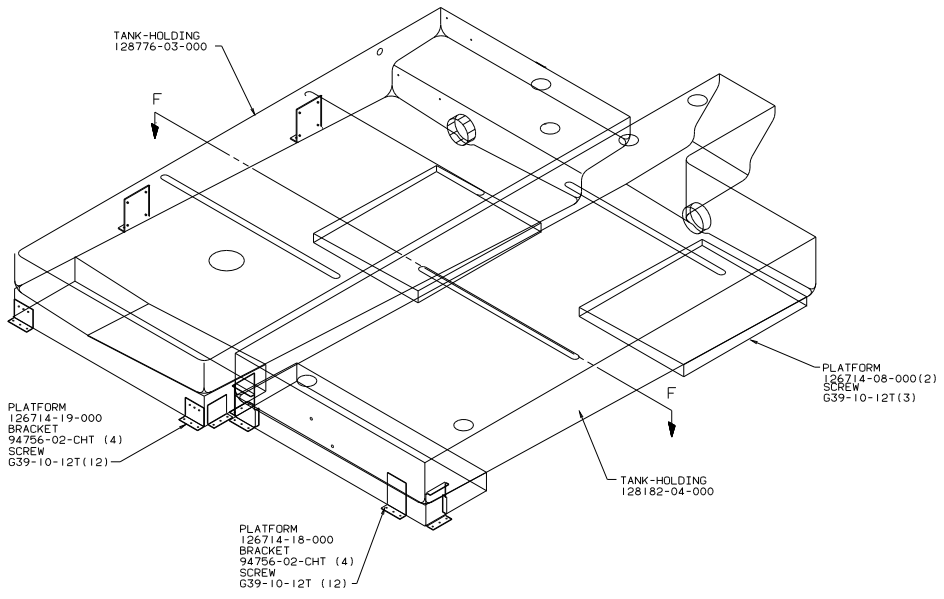
VIEW A-A



DETAIL C

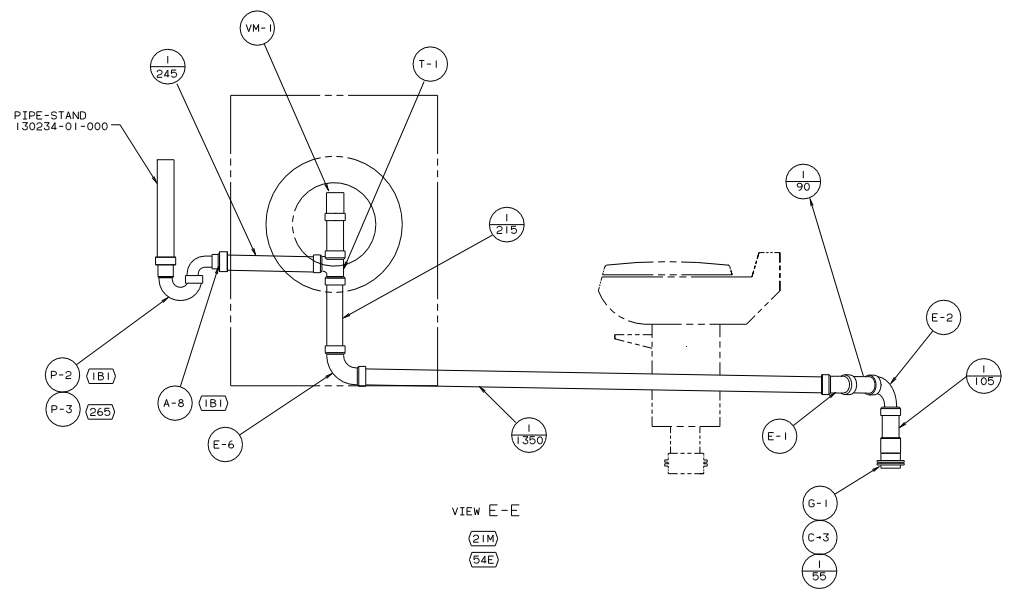
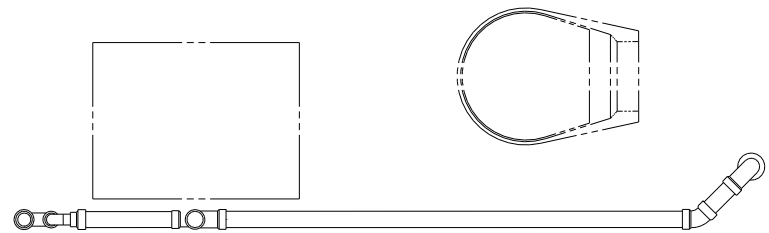


VIEW B-B



02 G37G

TITLE:		DRAWING NO.	
DRAINAGE SYSTEM INSTL		138367	
30 MET SCALE DRAWING	SHEET 3 OF 4	FILE NO.	138367



PIPE-STAND
130234-01-000

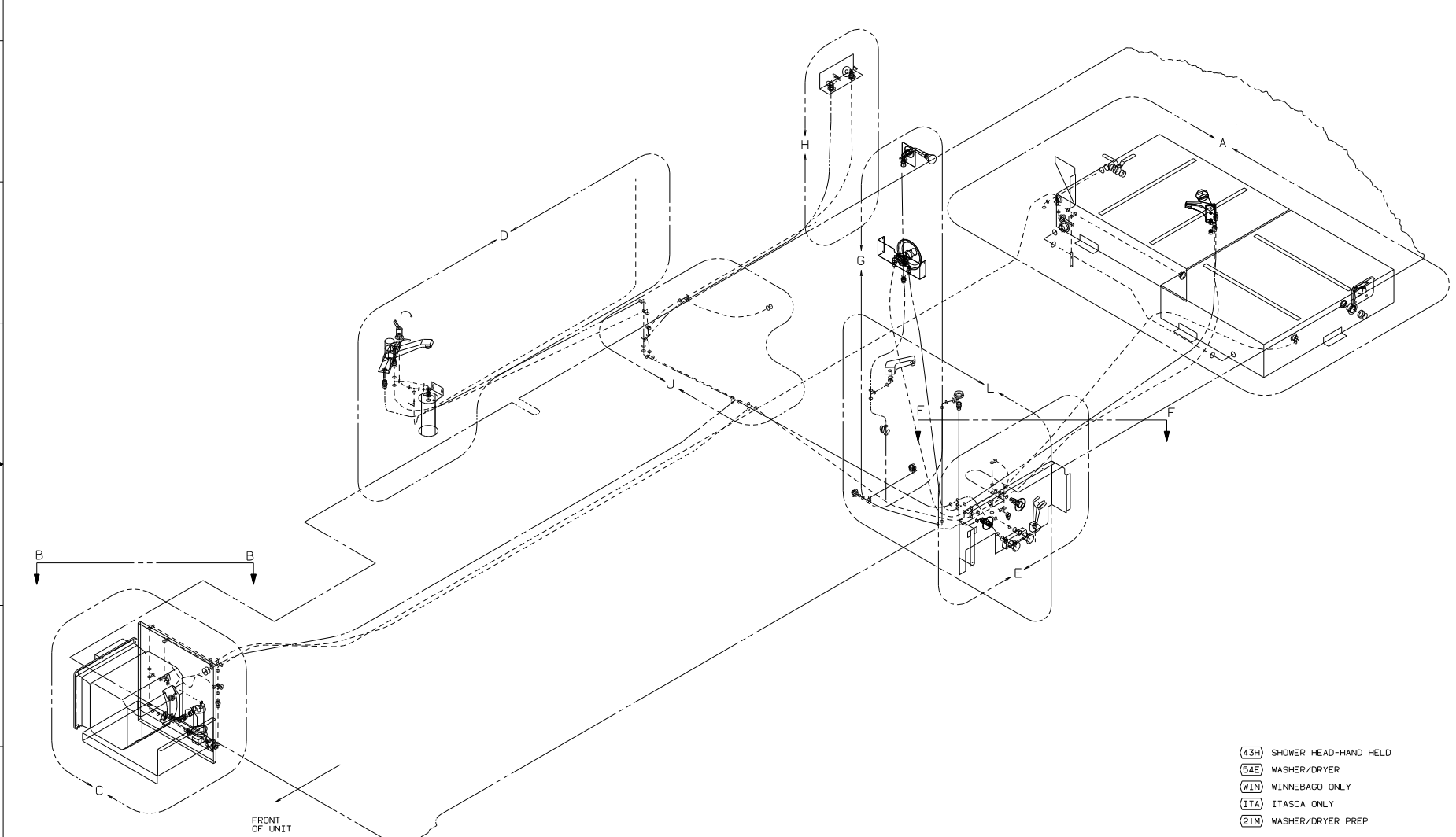
VIEW E-E

(21M)
(54E)

02 G37G

TITLE: DRAINAGE SYSTEM INSTL	
30 MET SCALE DRAWING	FILE NO: 138367
SHEET 4 OF 4	1/E

DWG NO	---
138366-01	(WIN)
138366-02	(ITA)



8. APPLY DECAL INSIDE OF UPPER SHOWER HEAD HOLDER TO RETAIN HAND SHOWER UNIT INSIDE OF HOLDER.
 7. PRE-DRILL SHOWER SURROUND WITH 5.0 DIA HOLES USING MOUNTING BRACKET AS A TEMPLATE.
 6. ADD TEFLON TAPE 10405-02-000 TO FITTING.
 5. USE DETAIL "K" IN THIS AREA (BOTH ENDS OF TUBING).
 4. FLUSHING SYSTEM REQUIRES 125697-06-000 INSTRUCTION SHEET.
3. ALL TUBING TO BE SECURED AT 1200 INTERVALS MAX WITH CLAMP 10495-01-000 OR CLIP 91951-01-000 AND SCREW G67-10-12B.
2. TUBING TO BE INSTALLED WITH SUFFICIENT SLOPE TO PROVIDE DRAINAGE TO THE NEAREST VALVE.
1. PLASTIC FITTINGS TO BE SEALED WITH SEALANT 84456-01-000.

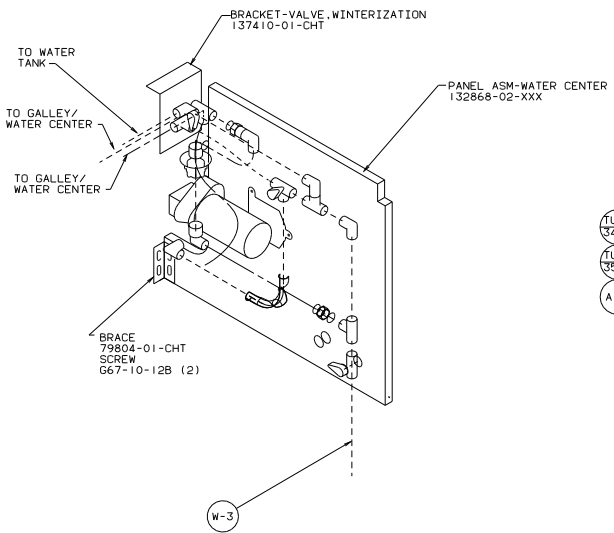
- (43H) SHOWER HEAD-HAND HELD
- (54E) WASHER/DRYER
- (WIN) WINNEBAGO ONLY
- (ITA) ITASCA ONLY
- (2IM) WASHER/DRYER PREP
- (43A) SHOWER HEAD-FIXED
- (29B) WATER PURIFIER
- (15U) REFRIGERATOR/FRZR W/ICEMAKER
- (1B2) WTR HTR-10GAL/ELEC/LP/MTRAD

(X-X) FOR WATER CALLOUTS SEE DWG NO. 116230-01-000

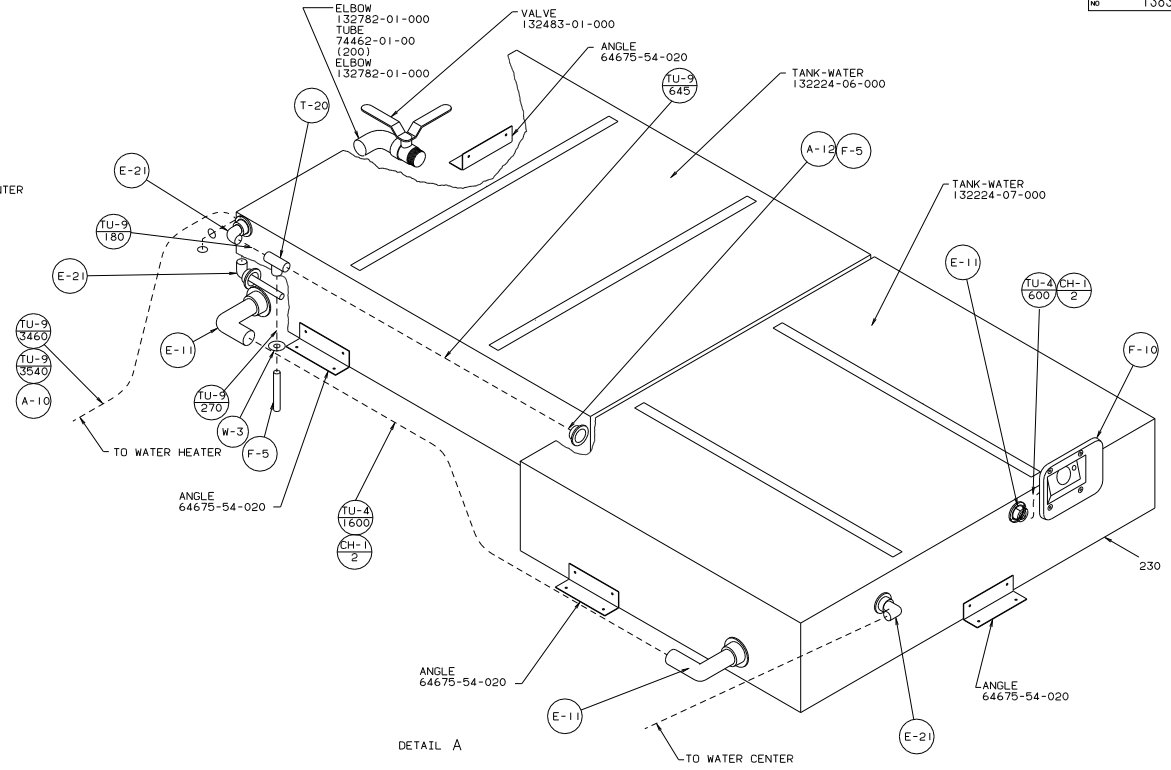
LEGEND	
HOT	-----
COLD	-----

COPYRIGHT © 2002 WINNEBAGO INDUSTRIES, INC. WINNEBAGO 02 G37G			
QTY	DATE	UNSPECIFIED TOLERANCES ARE:	MATERIAL
CHDR	DATE	WHOLE DIMS (IN)	F
DR	DATE	ONE-PLACE (IN.XI)	F
F/E	DATE	TWO-PLACE (IN.XX)	F
M/E	DATE	THREE-PLACE (IN.XXX)	F
CDR	DATE	THREE-PLACE (IN.XXX)	F
DRAWN BY: 01AG37G		TITLE: WATER SYSTEM INSTL	
REV: 1		SHEET 1 OF 4	
SCALE: NONE		DWG NO: 138366	
ALL DIMENSIONS ARE IN MILLIMETERS		SHEET 1 OF 4	

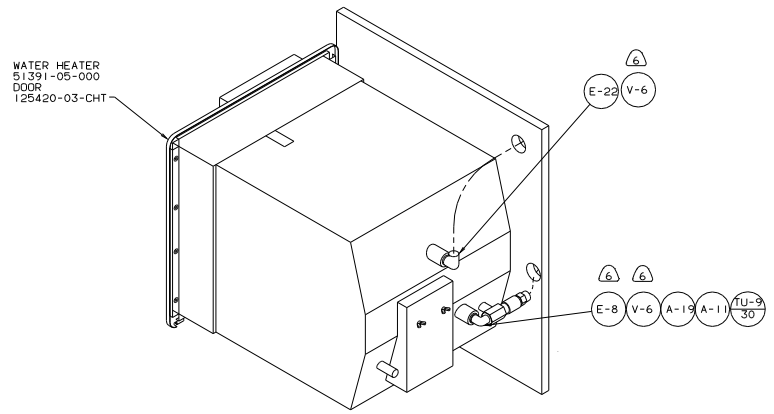
H
G
F
E
D
C
B
A



VIEW B-B



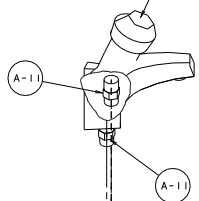
DETAIL A



DETAIL C (B2)

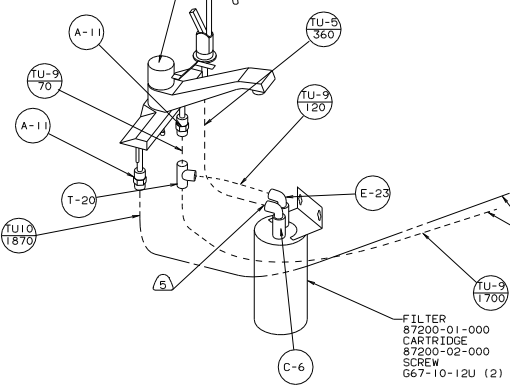
H
G
F
E
D
C
B
A

FAUCET-LAV
128997-01-CHT (WIN)
134735-02-CHT (ITA)



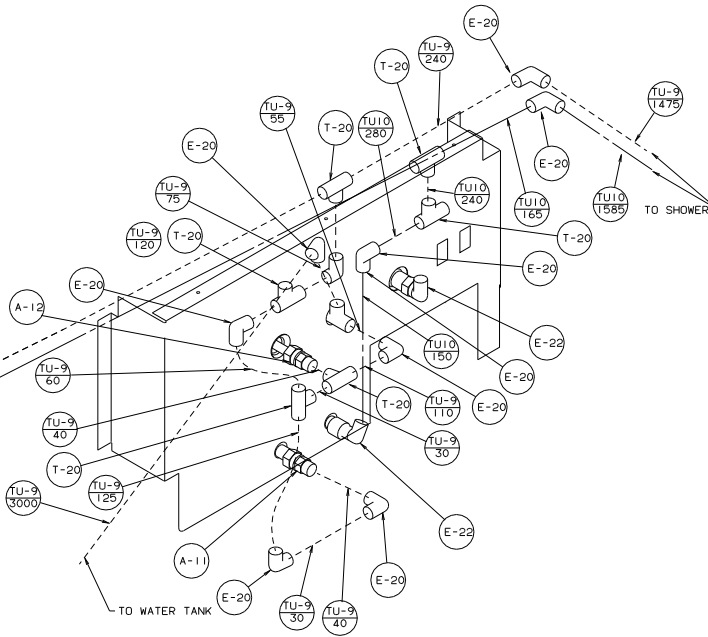
FAUCET-GALLEY
104114-03-CHT (WIN)
123744-03-CHT (ITA)
SPACER-FAUCET
137079-01-CHT

FAUCET
103635-01-000



TO DETAIL J

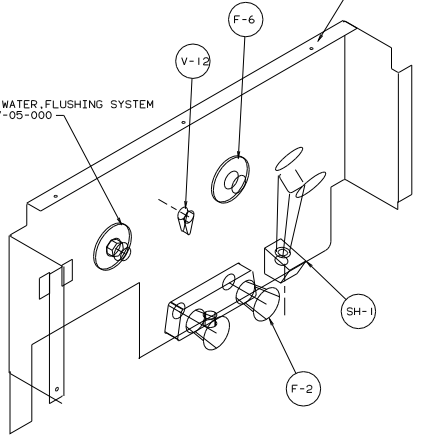
TO REFRIGERATOR



VIEW F-F

PANEL-SERVICE CENTER
136034-02-CHT

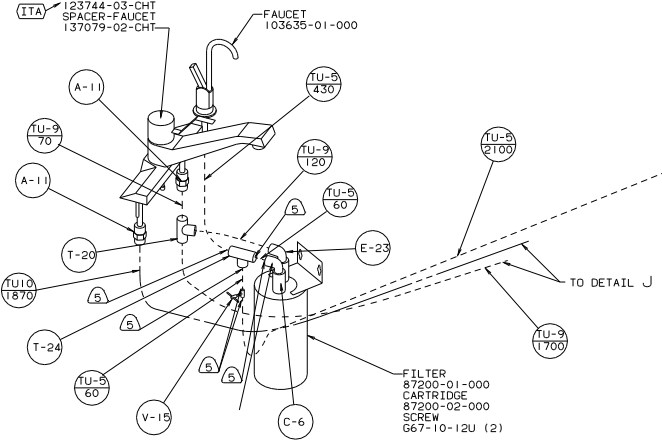
INLET-WATER, FLUSHING SYSTEM
125697-05-000



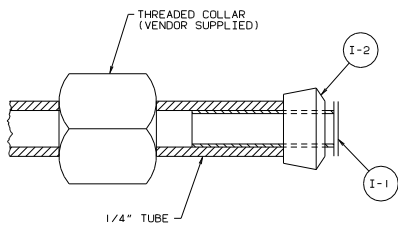
DETAIL E

FAUCET-GALLEY
104114-03-CHT (WIN)
123744-03-CHT (ITA)
SPACER-FAUCET
137079-02-CHT

FAUCET
103635-01-000



TO DETAIL J



DETAIL K

DETAIL D (150)

DETAIL D (298)

02 G37G

