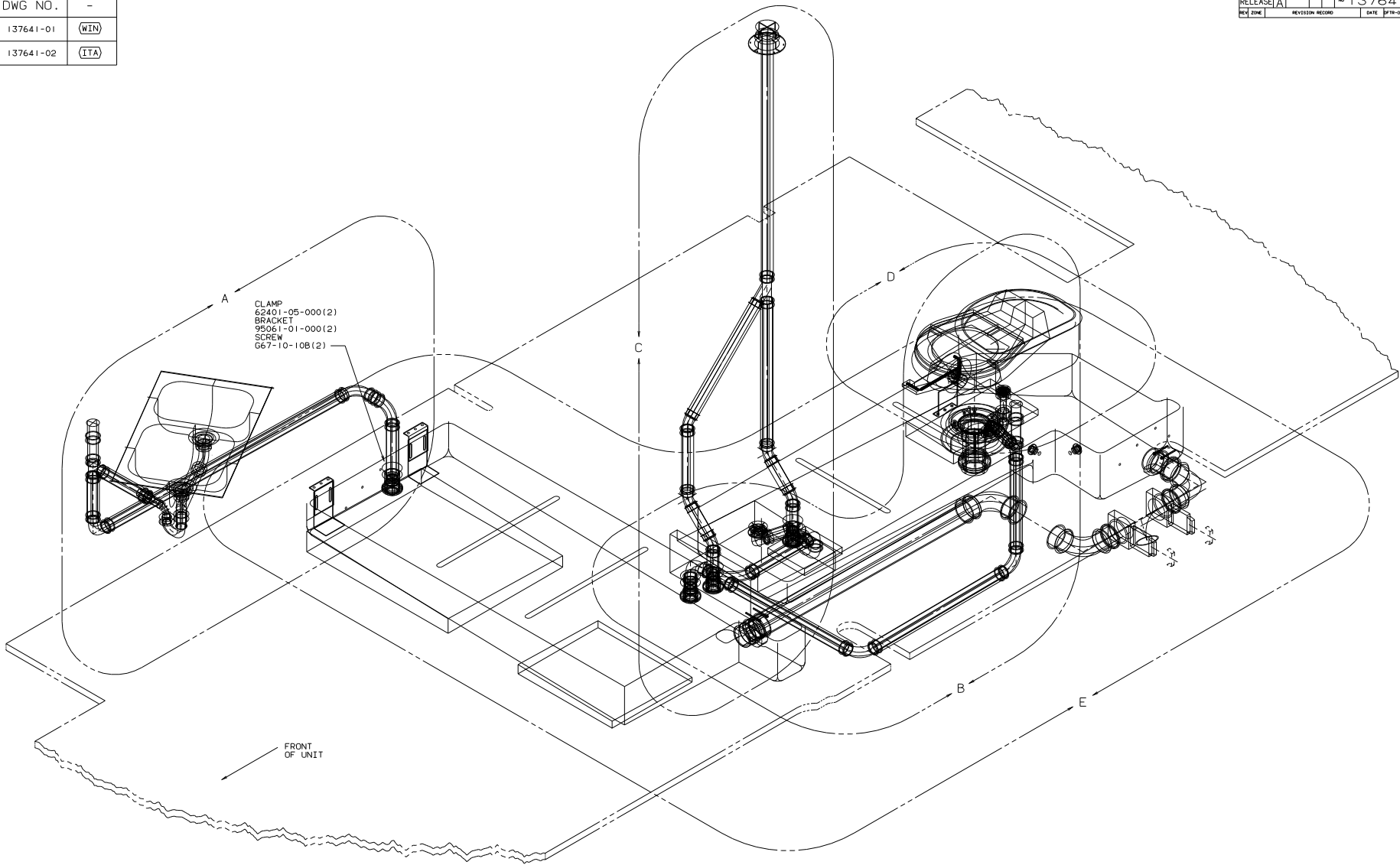


DWG NO.	-
137641-01	(WIN)
137641-02	(ITA)

RELEASE	BY	DATE	BY	DATE	NO.	137641
REV	ZONE	REVISION RECORD	DATE	BY	NO.	



10. SECURE PIPES TO FLOOR USING BRACKET 136878-01-CHT(3) CLAMP 62401-02-000(3) SCREW 667-10-12B(3).
9. SECURE PIPES TO CABINET USING WIRE TIE 108046-02-000 AND SCREW 667-10-12U (8).
8. VENT PIPE MUST PROJECT 51 MIN TO 64 MAX ABOVE ROOF FOR PROPER FIT AND FUNCTION.
7. SEE DWG 61607-01-000 FOR INSTL OF GROMMET.
6. SEAL ALL AROUND SHOWER PAN.
5. FOR CANADIAN UNITS EACH HOLDING TANK SHALL HAVE A CSA APPROVAL STAMPED NEAR THE IAPMO APPROVAL.
4. ALL EXTERIOR OPENINGS AROUND PIPE TO BE SEALED WITH 110744-01-000.
3. ALL PIPE AND FITTINGS TO BE ASSEMBLED WITH SOLVENT 4020-01-000.
2. SLOPE OF TRAP MUST BE 6 PER 300 MINIMUM.
1. SLOPE OF HORIZONTAL PIPING TO BE 6 PER 300 MINIMUM.

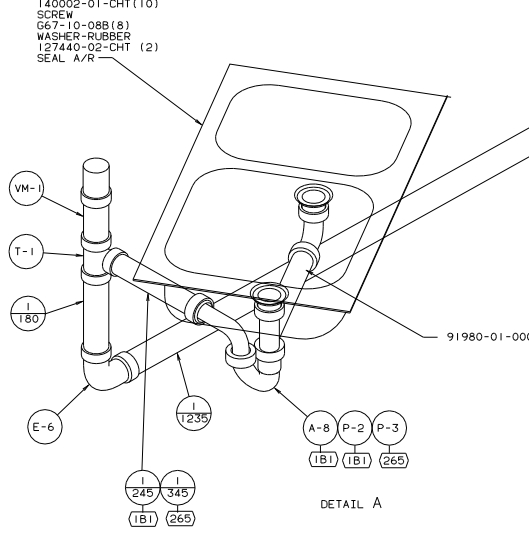
NOTES:

- (265) CODES/STANDARDS-CSA/CMVSS
- (IB1) CODES/STANDARDS USA
- (WIN) WINNEBAGO ONLY
- (ITA) ITASCA ONLY

FOR DRAINAGE CALL-OUTS SEE DWG NO. 116229-01-000

COPYRIGHT 2002 WINNEBAGO INDUSTRIES, INC.		WINNEBAGO 02 G35U	
OPTR	DATE	UNSPECIFIED TOLERANCES ARE:	MATERIAL
CHRP	DATE	WHOLE DIM (IN)	+
PIE	DATE	ONE-PLACE (IN.XI)	+
ME	DATE	TWO-PLACE (IN.XX)	+
DATE	DATE	THREE-PLACE (IN.XXX)	+
DATE	DATE	PROJ. WHOLE PROJECTION	☺
LAHRT NO.	01AG35U	TITLE:	DRAINAGE SYSTEM INSTL
REV #	SCALE: NONE	30-MET SCALE DRAWING	FIG. NO. 137641
ALL DIMENSIONS ARE IN MILLIMETERS	SHEET 1 OF 4	DATE	137641

SINK-SMC\_DOUBLE  
 136928-03-CHT (US/CAN)  
 STRAINER  
 92303-01-000 (2)  
 ANGLE  
 140002-01-CHT (10)  
 SCREW  
 G67-10-08B (8)  
 WASHER-RUBBER  
 127440-02-CHT (2)  
 SEAL A/R



SINK  
 136639-01-CHT  
 SCREW  
 G67-08-10J(8)  
 SEAL A/R

STRAINER  
 106116-01-CHT  
 GASKET  
 106116-02-CHT

P-3 P-2 A-8  
 (265) (1B1) (1B1)

I 200 I 100  
 (265) (1B1)

I 690

I 415

I 155

I 155

I 155

I 155

I 155

SHOWER INSTL-ENCLOSURE  
 132496-01-000  
 DRAIN  
 66440-01-000  
 SEALER  
 69640-01-000  
 NUT  
 130403-01-000  
 TAILPIECE  
 11069-06-000  
 WASHER  
 127440-02-CHT

E-2 I 45

I 10

G-1 I 55 C-3 I 45

I 10

I 10

I 10

I 10

I 10

STRAP-CONDUIT  
 008406-01-000 (3)  
 SCREW  
 G67-10-12B(6)

I 630

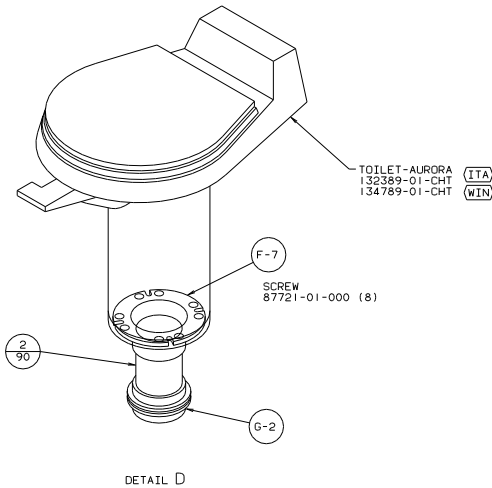
I 630

I 630

I 630

I 630

I 630



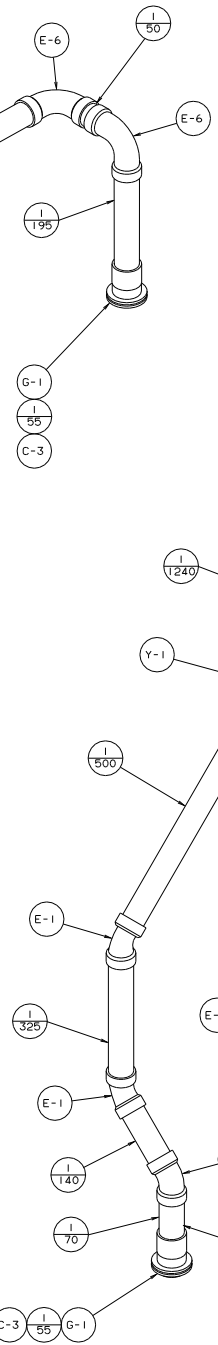
TOILET-AURORA  
 132389-01-CHT  
 134789-01-CHT

ITA WIN

F-7  
 SCREW  
 87721-01-000 (8)

2  
 90

G-2



E-6 I 50

I 195

G-1 I 55 C-3

I 1240

I 500

I 705

E-1 I 325

E-1 I 140

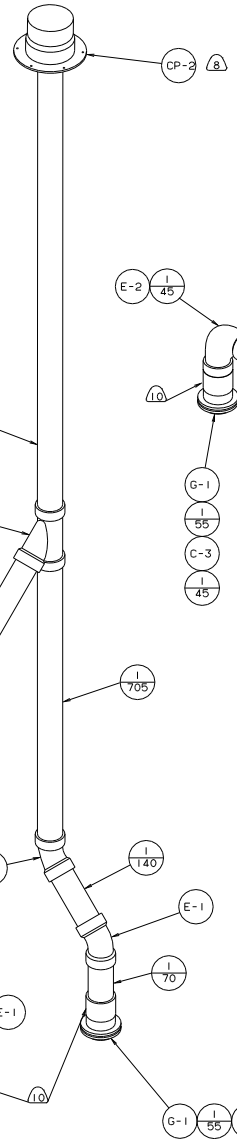
E-1 I 70

E-1 I 140

E-1 I 70

E-1 I 10

C-3 I 55 G-1



CP-2 I 8

E-2 I 45

I 10

G-1 I 55 C-3 I 45

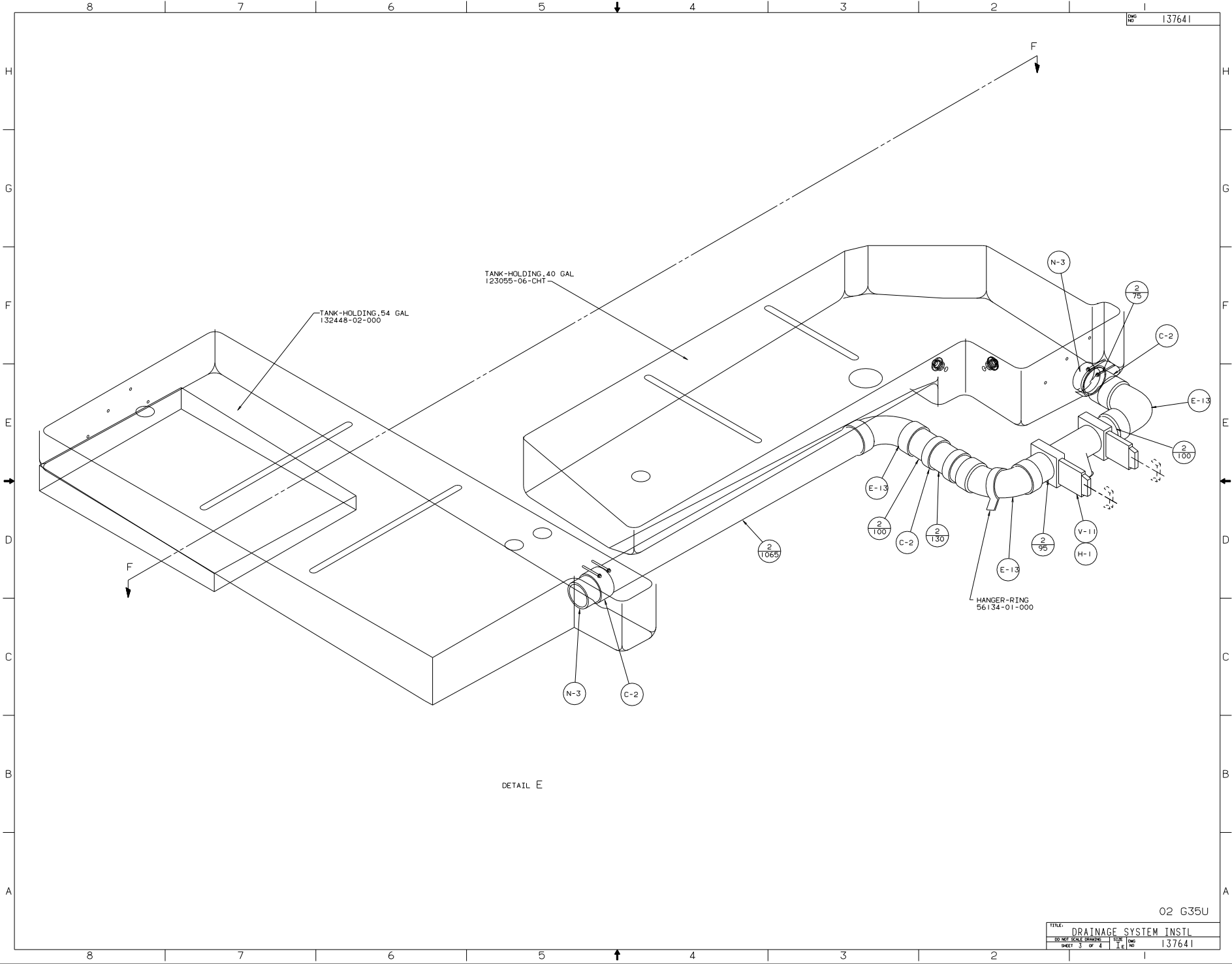
I 10

I 10

I 10

I 10

I 10



TANK-HOLDING, 40 GAL  
123055-06-CHI

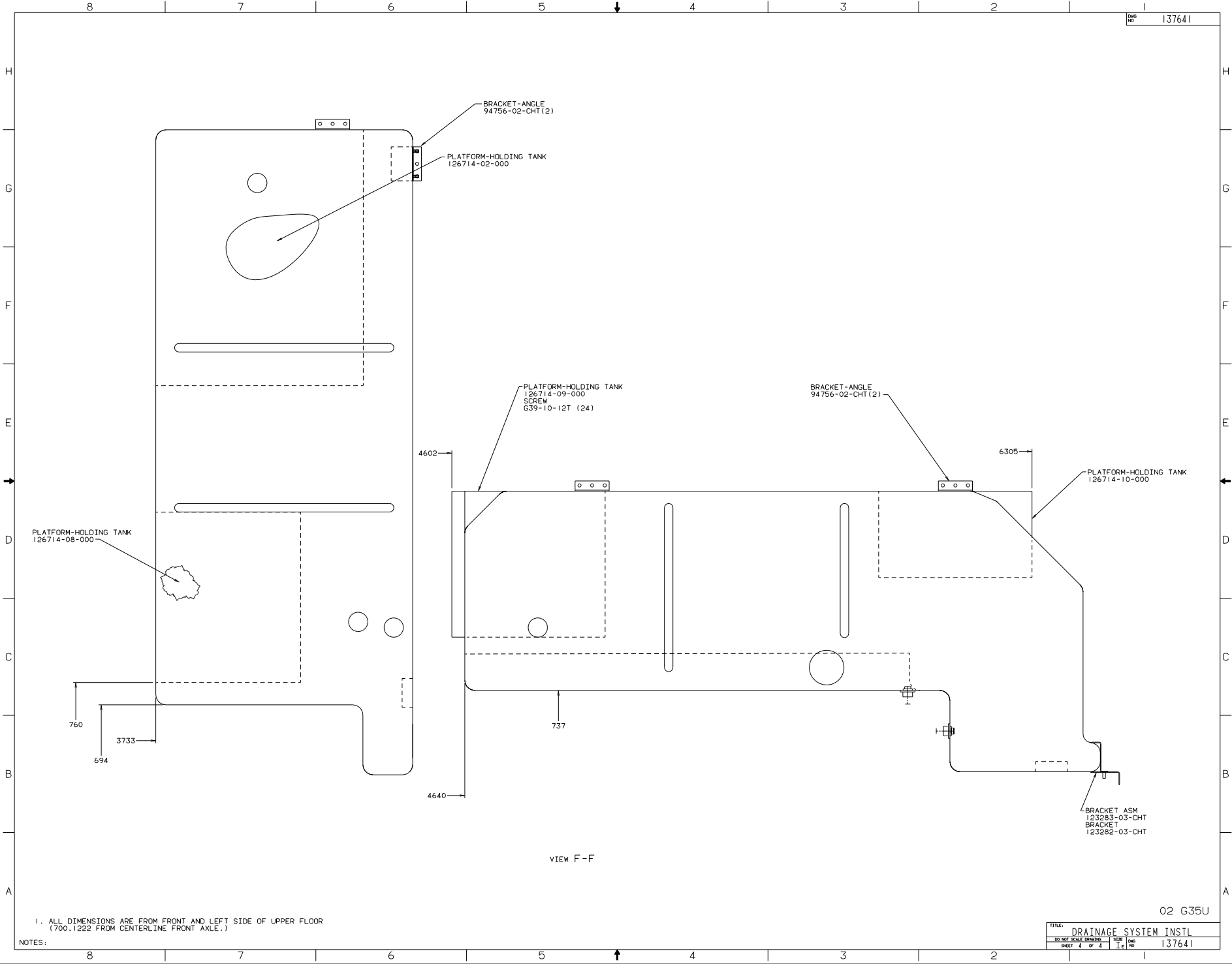
TANK-HOLDING, 54 GAL  
132448-02-000

DETAIL E

HANGER-RING  
56134-01-000

02 G35U

TITLE: DRAINAGE SYSTEM INSTL		DWG NO: 137641	
30-MIL SCALE DRAWING	FILE	1	1
SHEET 3 of 4	DATE	1	1



BRACKET-ANGLE  
94756-02-CHT(2)

PLATFORM-HOLDING TANK  
126714-02-000

PLATFORM-HOLDING TANK  
126714-09-000  
SCREW  
G39-10-12T (24)

BRACKET-ANGLE  
94756-02-CHT(2)

PLATFORM-HOLDING TANK  
126714-10-000

PLATFORM-HOLDING TANK  
126714-08-000

BRACKET ASM  
123283-03-CHT  
BRACKET  
123282-03-CHT

VIEW F-F

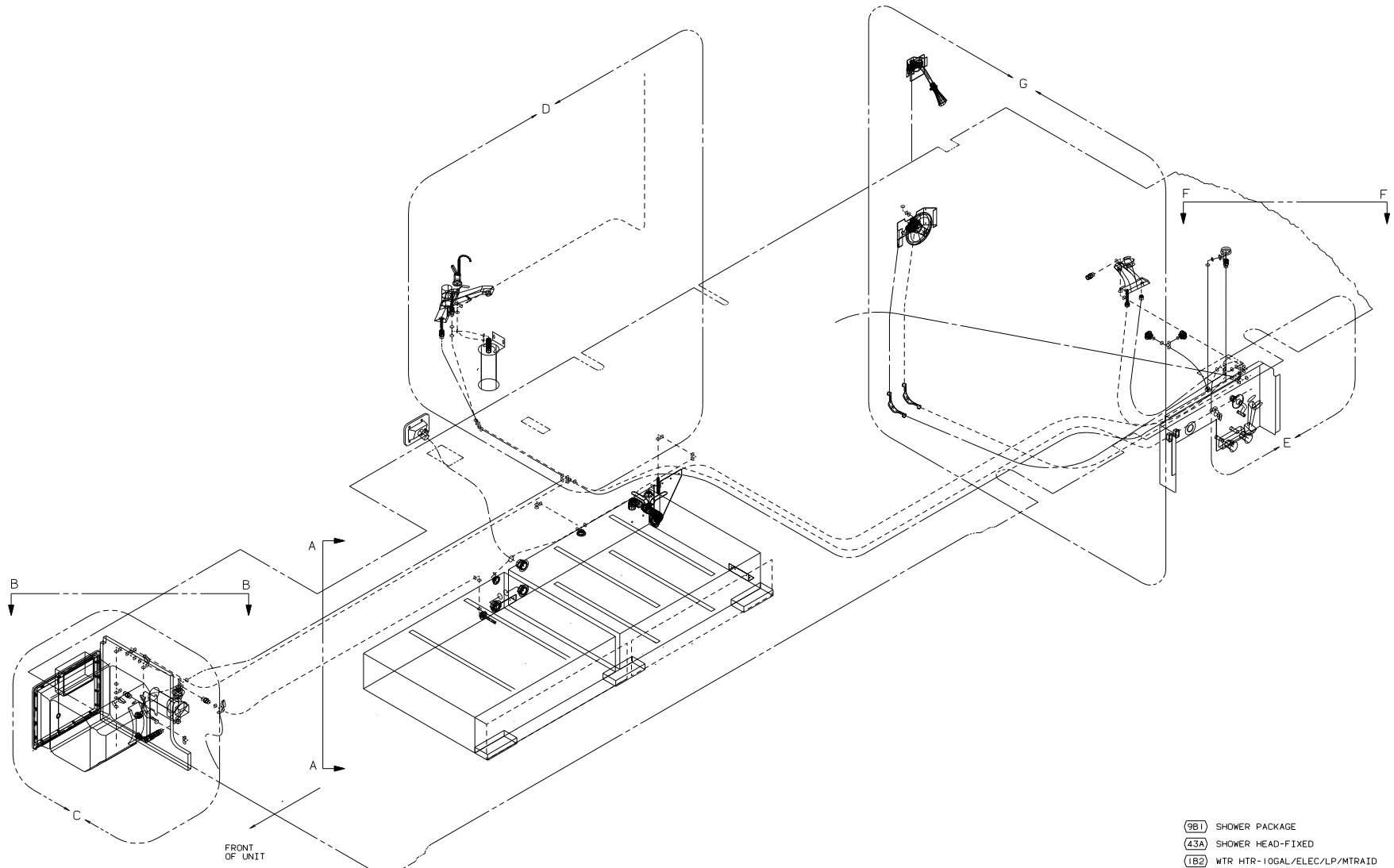
1. ALL DIMENSIONS ARE FROM FRONT AND LEFT SIDE OF UPPER FLOOR  
(700.1222 FROM CENTERLINE FRONT AXLE.)

NOTES:

02 G35U

TITLE: DRAINAGE SYSTEM INSTL		DWG NO 137641	
30 MET SCALE DRAWING	FILE	1	1
SHEET 4 of 4	FILE	1	1

DWG NO	---
137642-01	(WIN)
137642-02	(ITA)



- FRONT OF UNIT
- 8. APPLY DECAL INSIDE OF UPPER SHOWER HEAD HOLDER TO RETAIN HAND SHOWER INSIDE OF HOLDER.
  - 7. PRE-DRILL SHOWER SURROUND WITH 5.0 DIA HOLES USING MOUNTING BRACKET AS A TEMPLATE.
  - 6. ADD TEFLON TAPE 10405-02-000 TO FITTING.
  - 5. USE DETAIL "J" IN THIS AREA (BOTH ENDS OF TUBING).
  - 4. FLUSHING SYSTEM REQUIRES 125697-06-000 INSTRUCTION SHEET.
3. ALL TUBING TO BE SECURED AT 1200 INTERVALS MAX WITH CLAMP 10495-01-000 OR CLIP 91951-01-000 AND SCREW G67-10-12B.
2. TUBING TO BE INSTALLED WITH SUFFICIENT SLOPE TO PROVIDE DRAINAGE TO THE NEAREST VALVE.
1. PLASTIC FITTINGS TO BE SEALED WITH SEALANT 84456-01-000.

- (9B1) SHOWER PACKAGE
- (43A) SHOWER HEAD-FIXED
- (1B2) WTR HTR-10GAL/ELEC/LP/MTR/RAID
- (43H) SHOWER HEAD-HAND HELD
- (WIN) WINNEBAGO ONLY
- (ITA) ITASCA ONLY
- (29B) WATER PURIFIER
- (15U) REFRIGERATOR/FRZR W/ICEMAKER

(X-X) FOR WATER CALLOUTS SEE DWG NO. 116230-01-000

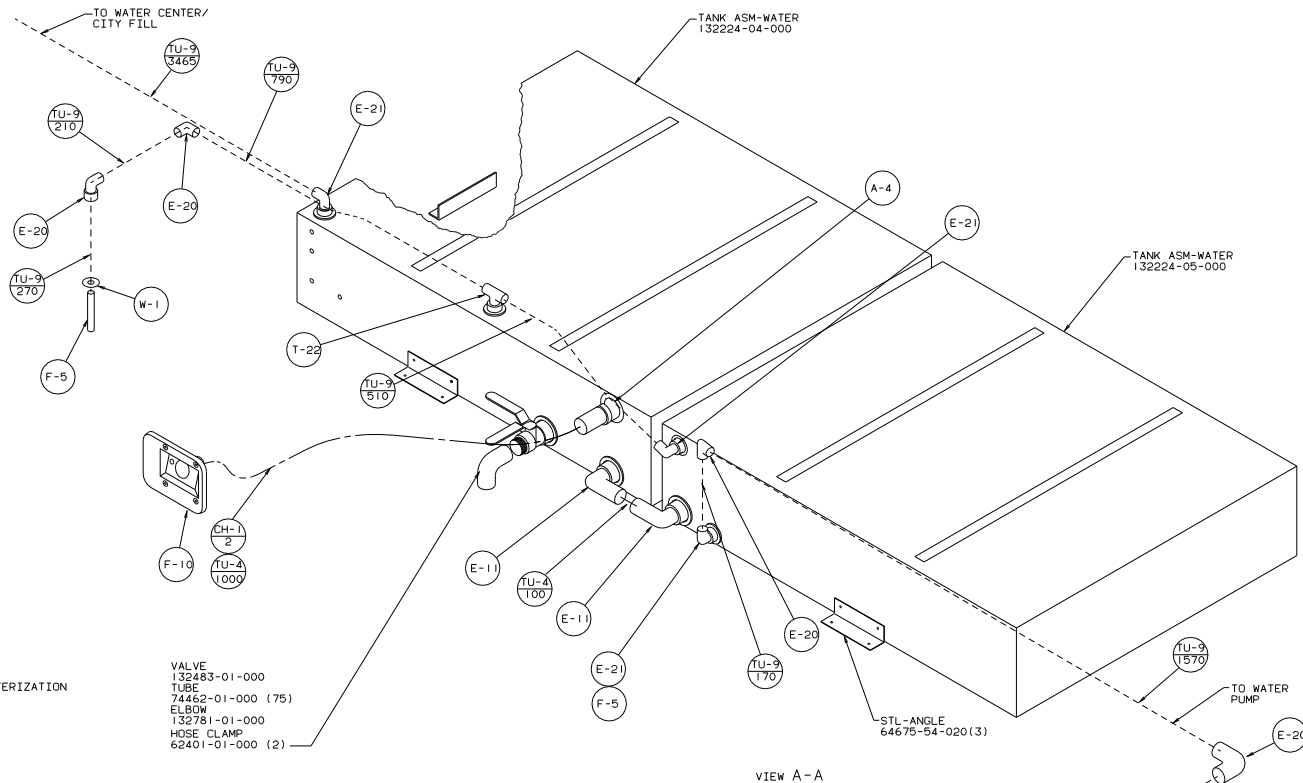
LEGEND	
HOT	----
COLD	-----

COMPLIANT 2002 WINNEBAGO INDUSTRIES, INC. **WINNEBAGO** 02 G35U

QTY	DATE	UNSPECIFIED TOLERANCES ARE:	MATERIAL
CHRP	DATE	ONE-DIGIT (X.X)	
TRF	DATE	TWO-DIGIT (X.XX)	
FIN	DATE	THREE-DIGIT (X.XXX)	
CDR	DATE	FOUR-DIGIT (X.XXXX)	

LAUNCH NO. 01AG35U TITLE: WATER SYSTEM INSTL  
 DIA # SCALE: NONE 30-MET SCALE DRAWING SIZE: 11E  
 ALL DIMENSIONS ARE IN MILLIMETERS SHEET 1 OF 4 DWG NO. 137642

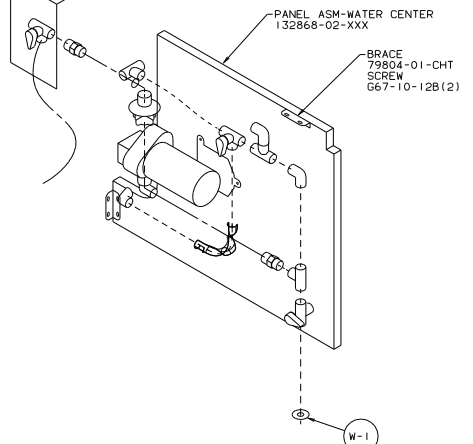
H  
G  
F  
E  
D  
C  
B  
A



- VALVE 132483-01-000
- TUBE 74462-01-000 (75)
- ELBOW 132781-01-000
- HOSE CLAMP 62401-01-000 (2)

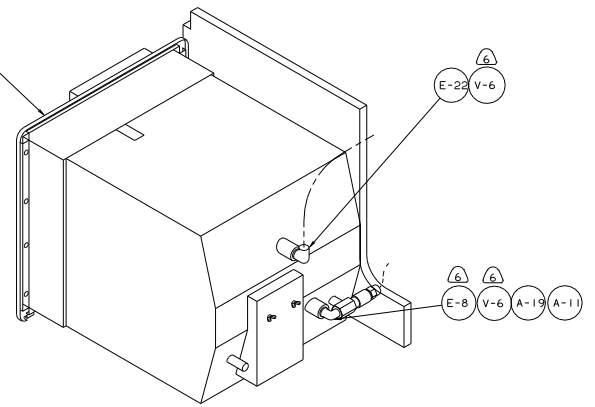
BRACKET-VALVE, WINTERIZATION  
137410-01-CHT

TO WATER TANK

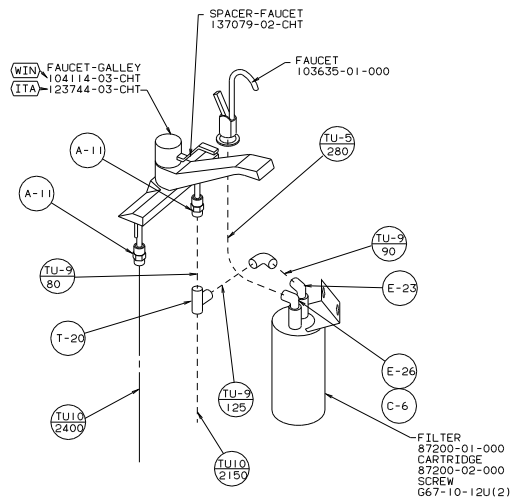


VIEW B-B

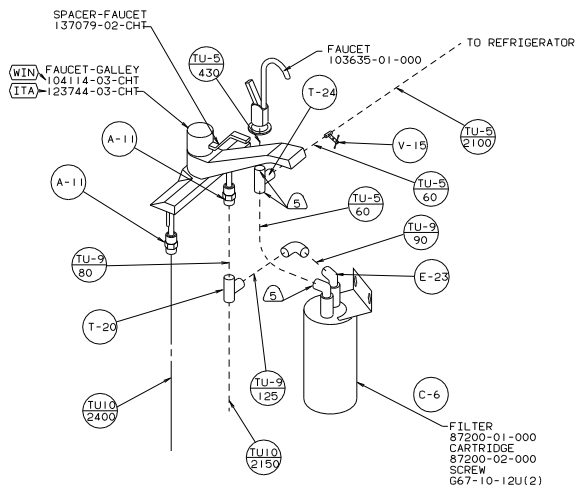
WATER HEATER  
51391-05-000  
DOOR 125420-03-CHT



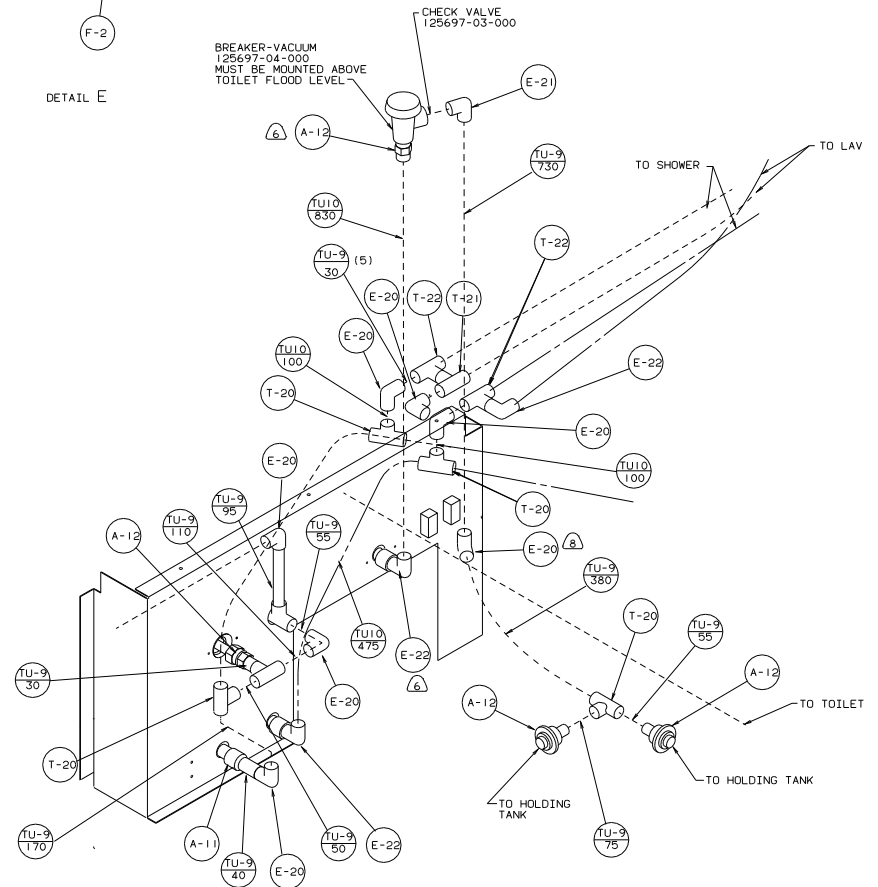
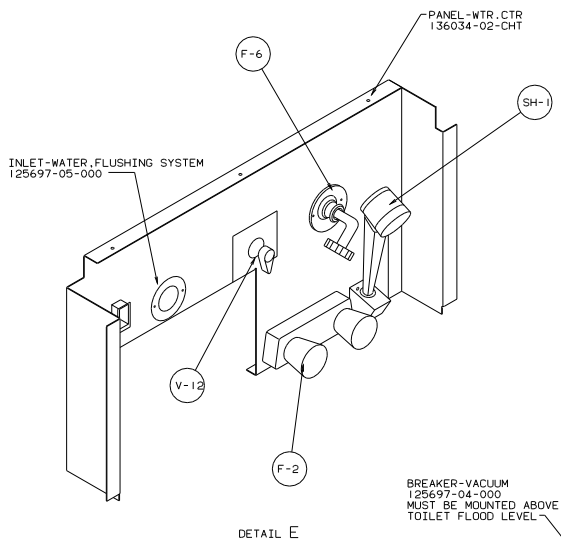
(1B2)  
DETAIL C



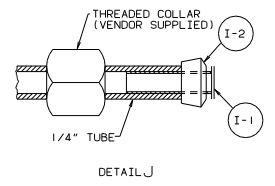
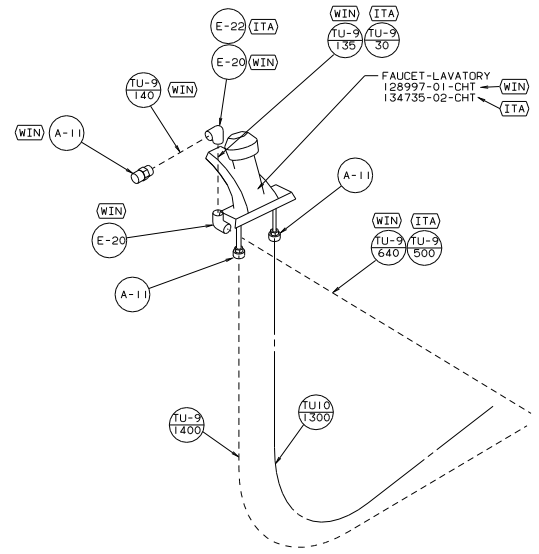
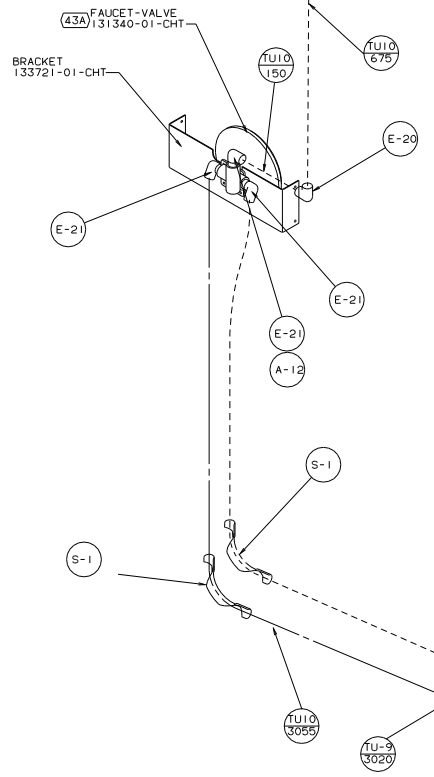
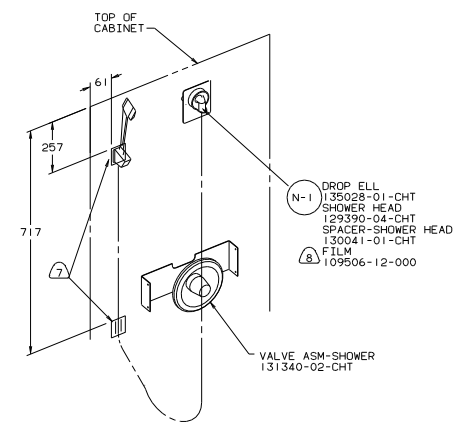
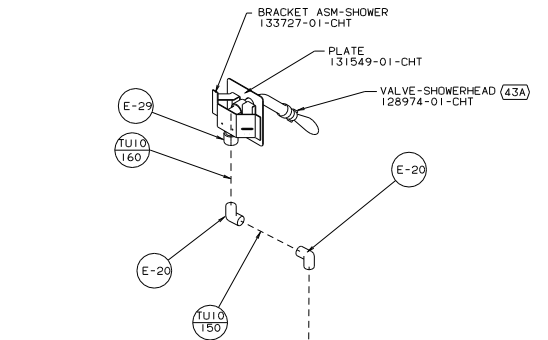
DETAIL D (29B)



DETAIL D (15U)



VIEW F-F



DETAIL G