



DANGER

Danger of electrical shock, burns or death. Always remove all power sources before attempting any repair, service or diagnostic work. Power can be present from shore power, generator, inverter or battery. All power sources must be disabled and secured before performing any service.

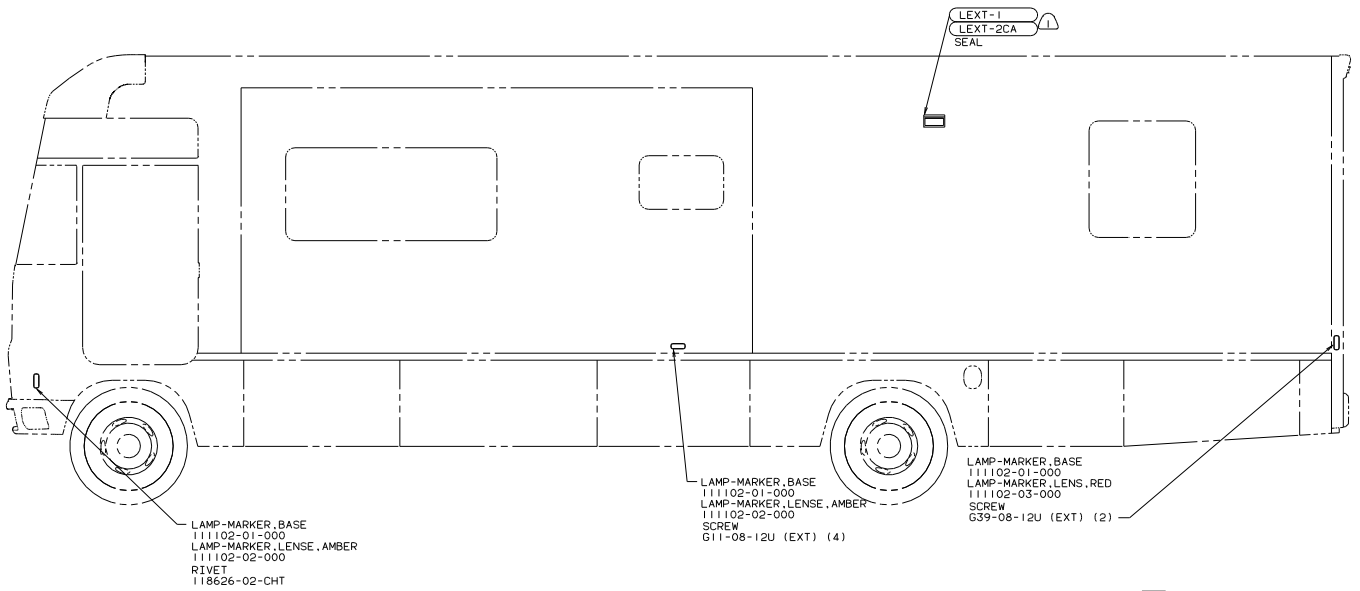
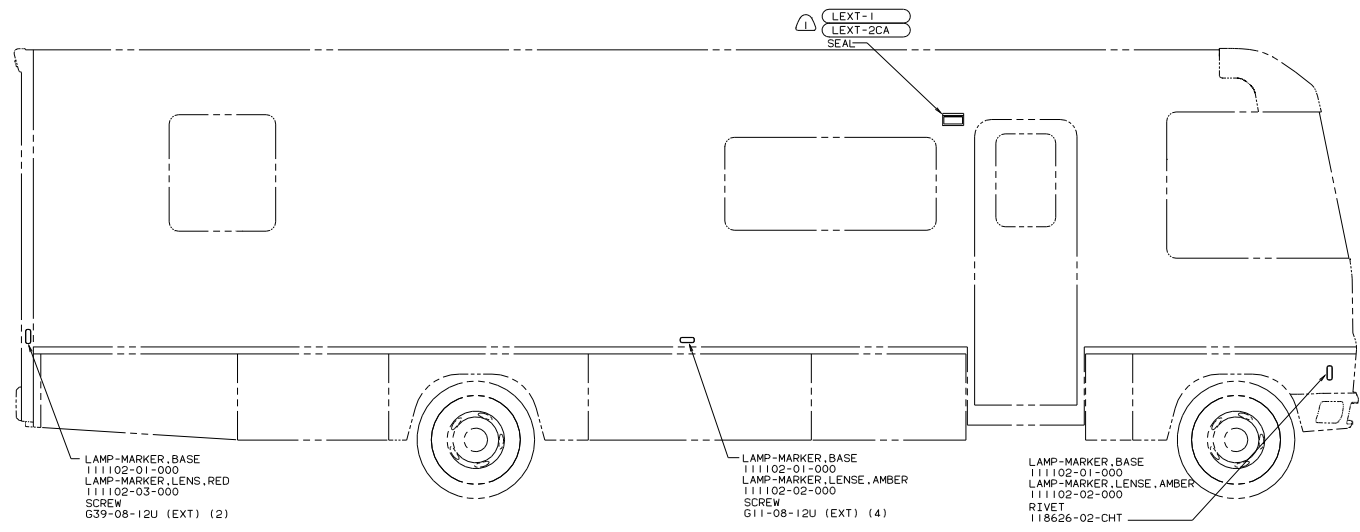


CAUTION

If you lack the skills, tools or equipment to perform diagnostic or repair work leave such work to an authorized Winnebago Industries dealer or other qualified shop.

DWG NO.	8
137655-01	(WIN)
137655-02	(ITA)

RELEASE	DATE	BY	NO	137655
ADD MISSING INFORMATION	REVISION RECORD	DATE	BY	NO
ADD FEATURE NOTES	DATE	BY	NO	
ADD DELTA #1	DATE	BY	NO	
ADD DELTA #2	DATE	BY	NO	



(1) NOT USED ON SHELLS.

NOTES:

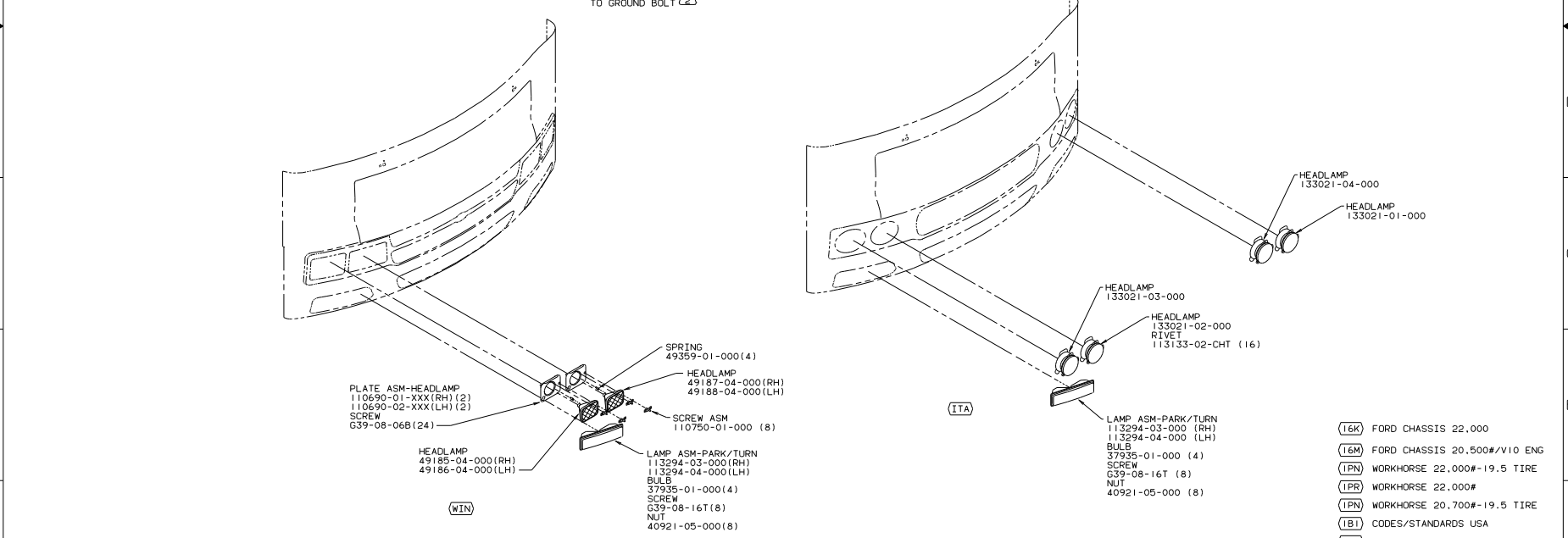
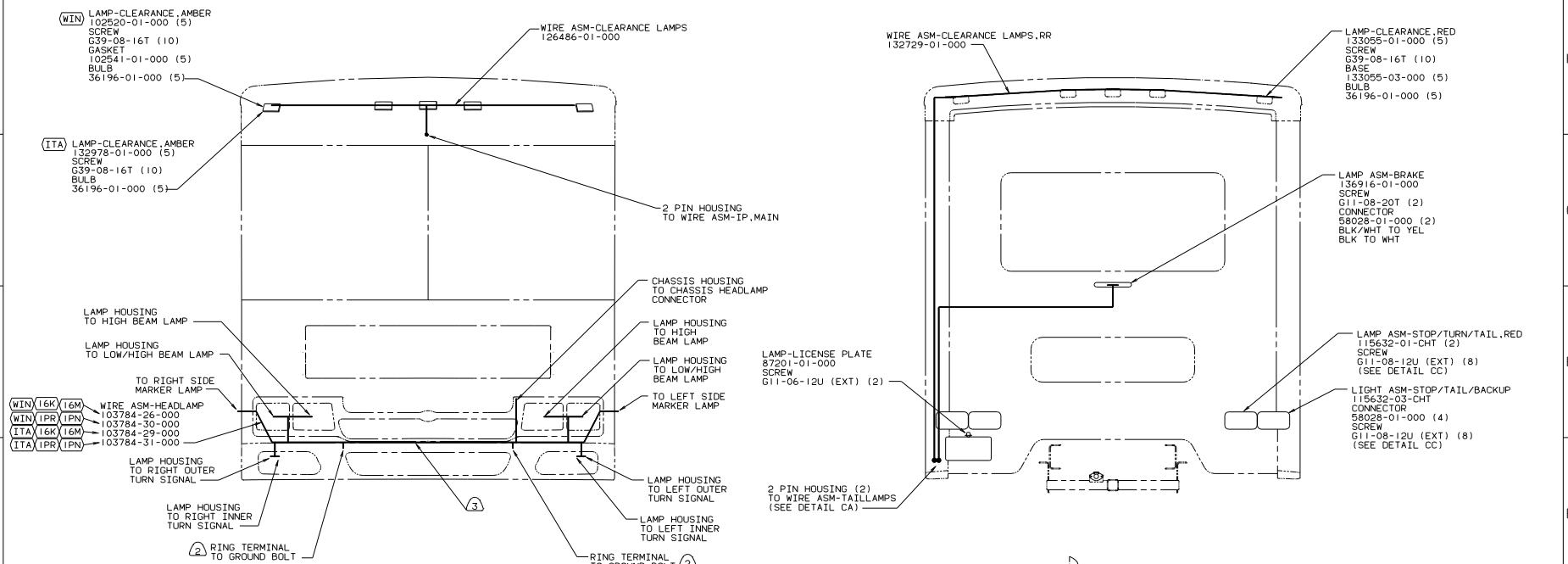
- (WIN) WINNEBAGO ONLY
- (ITA) ITASCA ONLY
- (265) CODES/STANDARDS-CSA/CMVSS
- (IB1) CODES/STANDARDS USA

(IB1) (265)

WINNEBAGO 02 G-SERIES

DATE	DATE	UNSPECIFIED TOLERANCES ARE:	MATERIAL
DATE	DATE	ONE-PLACE (1X.XX)	
DATE	DATE	TWO-PLACE (1X.XX)	
DATE	DATE	THREE-PLACE (1X.XXX)	
DATE	DATE	INDUCTION	

WIRING INSTL-EXTERIOR LAMPS
 137655
 SHEET 1 OF 3



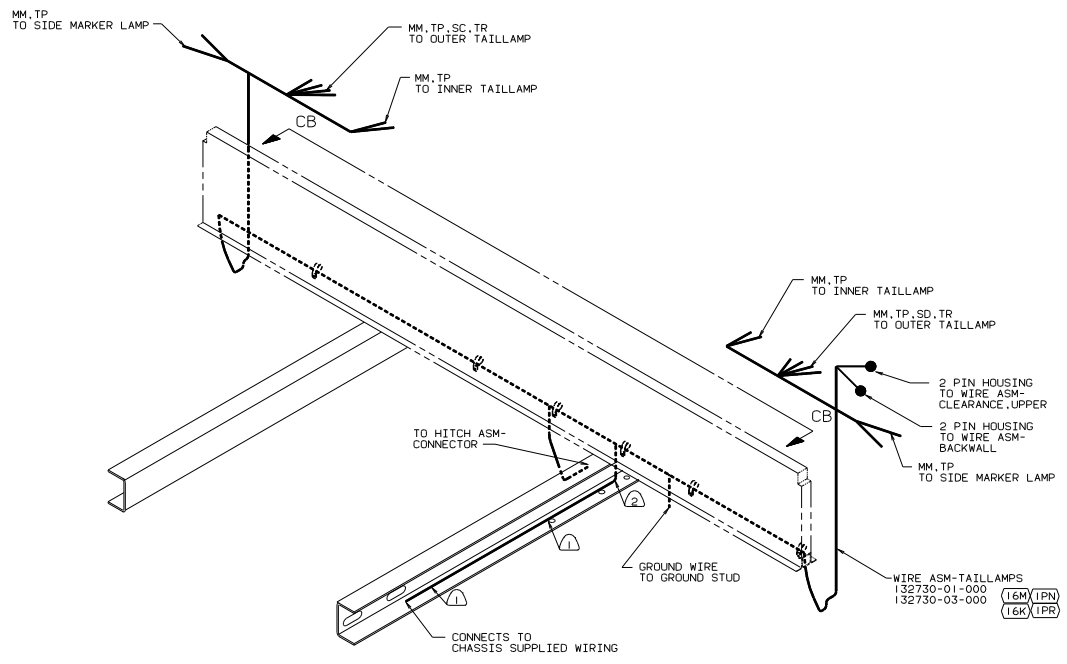
(3) SECURE WIRE ASM APPROX. EVERY 450 TO BATTERY CABLES AND BRACKETS. USE TIE-WIRE 8343-01-000 OR 93147-01-000 AS APPROPRIATE.
 (2) CLEAN PAINT OFF METAL (BOLT) BEFORE CONNECTING GROUND TO INSURE CONTACT. ALSO MOUNT CHASSIS SUPPLIED HORN TO GROUND BOLT.
 1. GATHER ALL EXCESS WIRE AFTER MAKING ALL CONNECTIONS AND BUNDLE AND SECURE WITH TIE-WIRE 8343-01-000 OR 93147-01-000.

(WIN) WINNEBAGO ONLY
 (ITA) ITASCA ONLY

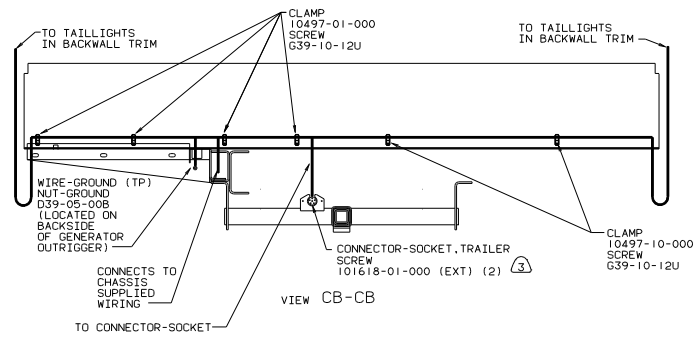
(16K) FORD CHASSIS 22,000
 (16M) FORD CHASSIS 20,500#/V10 ENG
 (1PN) WORKHORSE 22,000#-19.5 TIRE
 (1PR) WORKHORSE 22,000#
 (1PN) WORKHORSE 20,700#-19.5 TIRE
 (1B1) CODES/STANDARDS USA
 (WIN) WINNEBAGO ONLY
 (ITA) ITASCA ONLY

(1B1/265) 02 G-SERIES

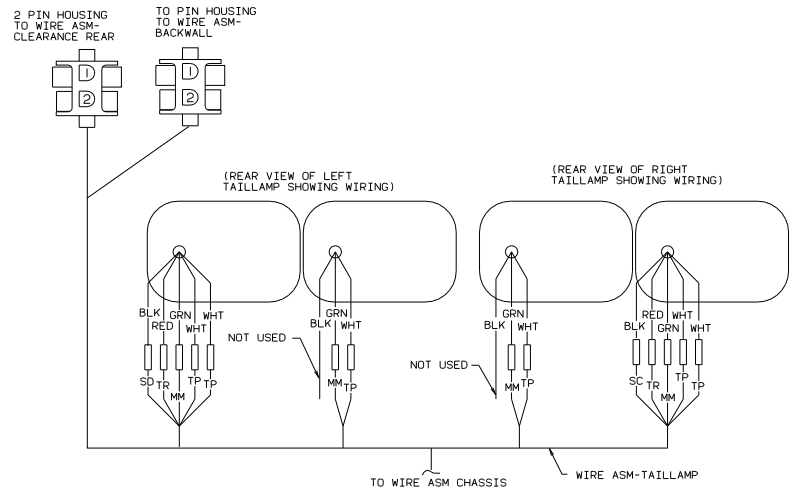
WIRING INSTL-EXTERIOR LAMPS
 SHEET 2 OF 3



DETAIL CA



VIEW CB-CB



DETAIL CC

- ① CONNECTOR-PLUG, TRAILER (113589-01-000) TO BE SUPPLIED LOOSE IN COACH WITH TRAILER TOW PACKAGE.
- ② WIRE TO BE ROUTED ON BACK SIDE OF RISER.
- ③ WIRE TIE 8343-02. FASTEN TO FRAME AT LEAST ONCE EVERY 600MM.

NOTES:

- (16M) FORD CHASSIS 20,500#/V10 ENG
- (16K) FORD CHASSIS 22,000
- (1PR) WORKHORSE 22,000#
- (1PN) WORKHORSE 20,700#-19.5 TIRE

FOR ELECTRICAL TORQUE SPECIFICATIONS SEE DWG NO 128783-01-000

02 G-SERIES
 WIRING INSTL-EXTERIOR LAMPS
 SHEET 3 OF 3