



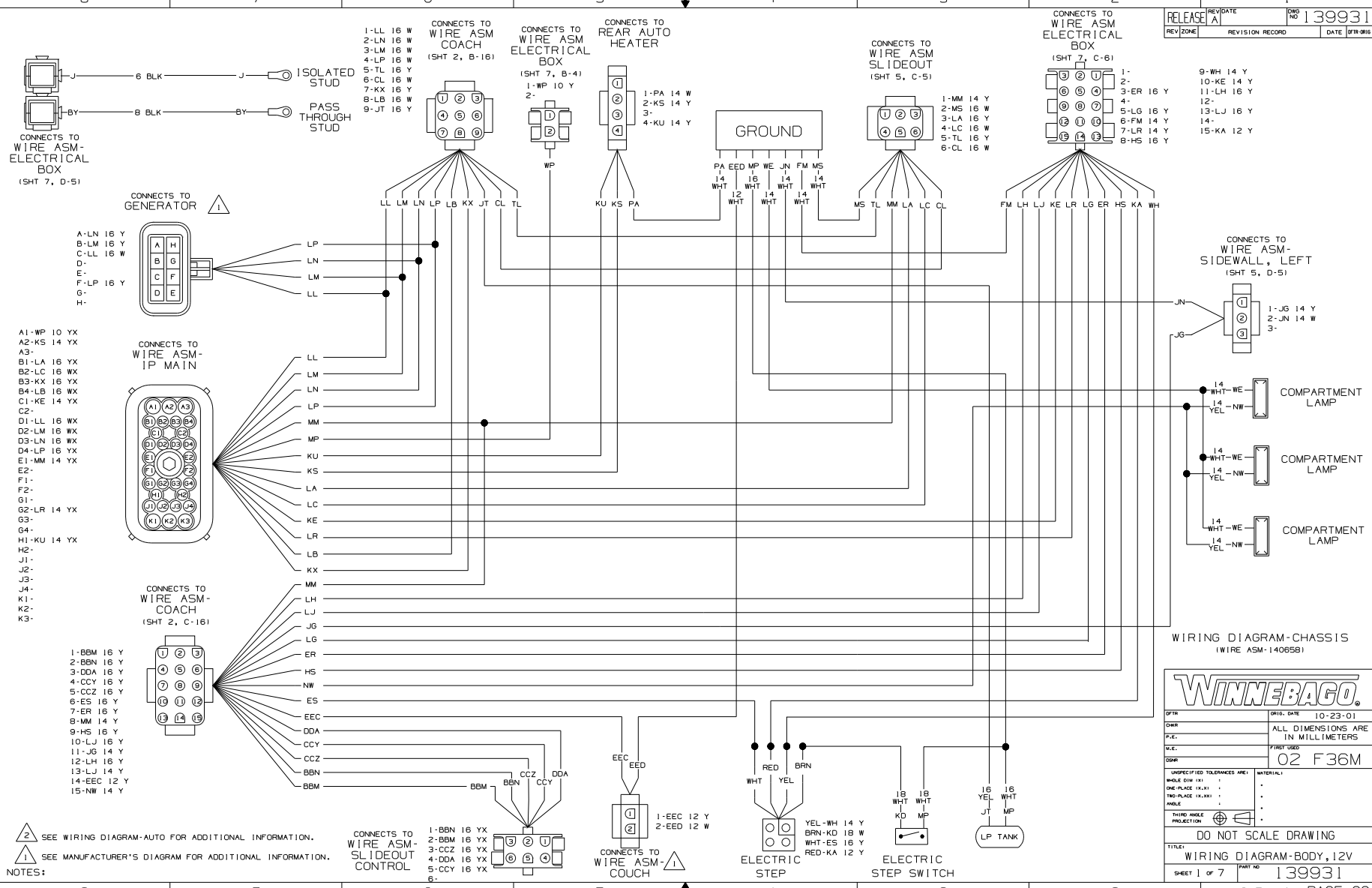
DANGER

Danger of electrical shock, burns or death. Always remove all power sources before attempting any repair, service or diagnostic work. Power can be present from shore power, generator, inverter or battery. All power sources must be disabled and secured before performing any service.

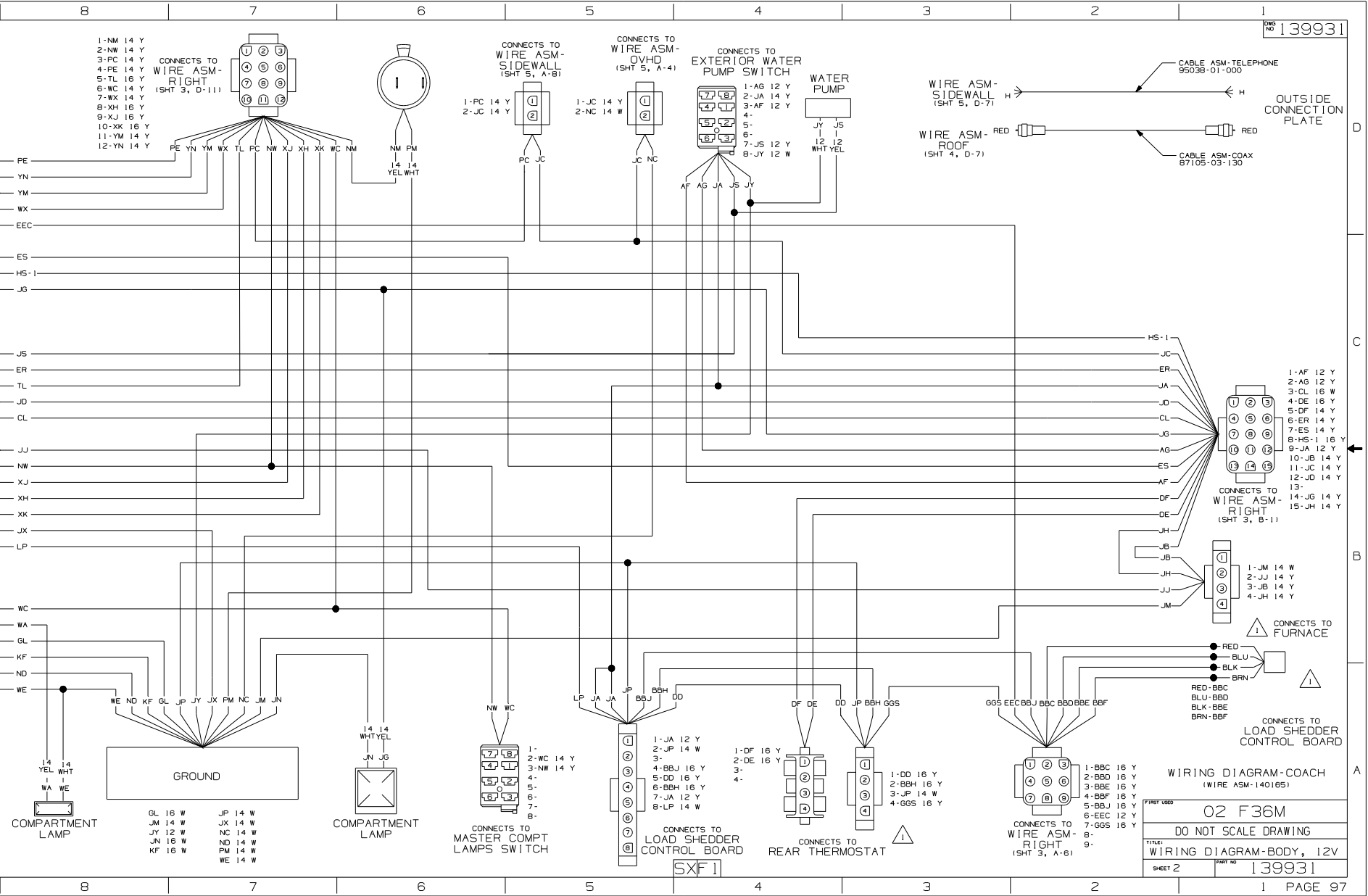


CAUTION

If you lack the skills, tools or equipment to perform diagnostic or repair work leave such work to an authorized Winnebago Industries dealer or other qualified shop.



NOTES:
 2 SEE WIRING DIAGRAM-AUTO FOR ADDITIONAL INFORMATION.
 1 SEE MANUFACTURER'S DIAGRAM FOR ADDITIONAL INFORMATION.



- CONNECTS TO WIRE ASM-RIGHT (SHT 3, D-11)
- 1-NM 14 Y
 - 2-NW 14 Y
 - 3-PC 14 Y
 - 4-PE 14 Y
 - 5-TL 16 Y
 - 6-WC 14 Y
 - 7-WX 14 Y
 - 8-XH 16 Y
 - 9-XJ 16 Y
 - 10-XK 16 Y
 - 11-YM 14 Y
 - 12-YN 14 Y

- CONNECTS TO WIRE ASM-SIDEWALL (SHT 5, A-8)
- 1-PC 14 Y
 - 2-JC 14 Y

- CONNECTS TO WIRE ASM-OVHD (SHT 5, A-4)
- 1-JC 14 Y
 - 2-NC 14 W

- CONNECTS TO EXTERIOR WATER PUMP SWITCH
- 1-AG 12 Y
 - 2-JA 14 Y
 - 3-AF 12 Y
 - 4-
 - 5-
 - 6-
 - 7-JS 12 Y
 - 8-JY 12 W

- WIRE ASM-SIDEWALL (SHT 5, D-7)
- WIRE ASM-ROOF (SHT 5, D-7)

- CABLE ASM-TELEPHONE 9503B-01-000
- CABLE ASM-COAX 87105-03-130

OUTSIDE CONNECTION PLATE

- CONNECTS TO WIRE ASM-RIGHT (SHT 3, B-1)
- 1-AF 12 Y
 - 2-AG 12 Y
 - 3-CL 16 W
 - 4-DE 16 Y
 - 5-DF 14 Y
 - 6-ER 14 Y
 - 7-ES 14 Y
 - 8-HS-1 16 Y
 - 9-JA 12 Y
 - 10-JB 14 Y
 - 11-JC 14 Y
 - 12-JD 14 Y
 - 13-
 - 14-JG 14 Y
 - 15-JH 14 Y

- CONNECTS TO FURNACE
- 1-JM 14 W
 - 2-JJ 14 Y
 - 3-JB 14 Y
 - 4-JH 14 Y

- CONNECTS TO LOAD SHEDDER CONTROL BOARD
- 1-BBC 16 Y
 - 2-BBD 16 Y
 - 3-BBE 16 Y
 - 4-BBF 16 Y
 - 5-BBJ 16 Y
 - 6-EEC 12 Y
 - 7-GGS 16 Y
 - 8-
 - 9-

- CONNECTS TO MASTER COMPT LAMPS SWITCH
- 1-WC 14 Y
 - 2-NW 14 Y
 - 3-NW 14 Y
 - 4-
 - 5-
 - 6-
 - 7-
 - 8-

- CONNECTS TO LOAD SHEDDER CONTROL BOARD
- 1-JA 12 Y
 - 2-JP 14 W
 - 3-
 - 4-BBJ 16 Y
 - 5-DD 16 Y
 - 6-BBH 16 Y
 - 7-JA 12 Y
 - 8-LP 14 W

- 1-DF 16 Y
- 2-DE 16 Y
- 3-
- 4-

- CONNECTS TO REAR THERMOSTAT
- 1-DD 16 Y
 - 2-BBH 16 Y
 - 3-JP 14 W
 - 4-GGS 16 Y

- CONNECTS TO WIRE ASM-RIGHT (SHT 3, A-6)
- 1-BBC 16 Y
 - 2-BBD 16 Y
 - 3-BBE 16 Y
 - 4-BBF 16 Y
 - 5-BBJ 16 Y
 - 6-EEC 12 Y
 - 7-GGS 16 Y
 - 8-
 - 9-

- COMPARTMENT LAMP
- GL 16 W
 - JM 14 W
 - JY 12 W
 - JN 16 W
 - KF 16 W
 - JP 14 W
 - JX 14 W
 - JZ 14 W
 - NC 14 W
 - ND 14 W
 - PM 14 W
 - WE 14 W

- COMPARTMENT LAMP
- 14 14 WHT/YEL
 - JN 14 W
 - JG 14 W

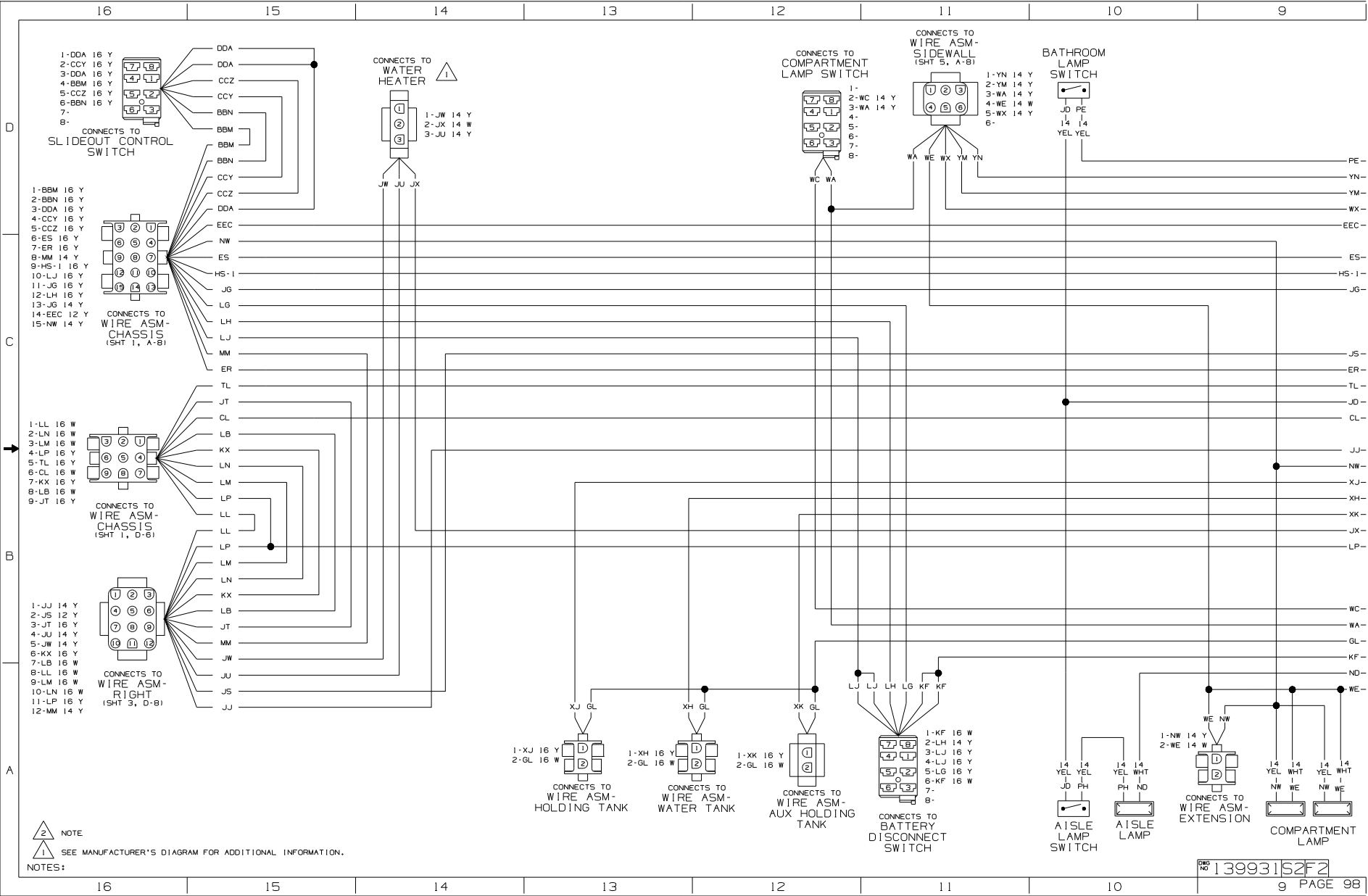
WIRING DIAGRAM-COACH (WIRE ASM-140165)

02 F36M


DO NOT SCALE DRAWING

TITLE: WIRING DIAGRAM-BODY, 12V

SHEET 2 PART NO 139931



1-DDA 16 Y
2-CCY 16 Y
3-DDA 16 Y
4-BBM 16 Y
5-CCZ 16 Y
6-BBN 16 Y
7-
8-
CONNECTS TO SLIDEOUT CONTROL SWITCH

CONNECTS TO WATER HEATER 
1-1-JW 14 Y
2-2-JX 14 W
3-3-JU 14 Y

CONNECTS TO COMPARTMENT LAMP SWITCH
1-
2-WC 14 Y
3-WA 14 Y
4-
5-
6-
7-
8-

CONNECTS TO WIRE ASM-SIDEWALL (SHT 5, A-B)
1-YN 14 Y
2-YM 14 Y
3-WA 14 Y
4-WE 14 W
5-WX 14 Y
6-

BATHROOM LAMP SWITCH
JD PE
14 14
YEL YEL

1-BBM 16 Y
2-BBN 16 Y
3-DDA 16 Y
4-CCY 16 Y
5-CCZ 16 Y
6-ES 16 Y
7-ER 16 Y
8-MM 14 Y
9-HS-1 16 Y
10-LJ 16 Y
11-JG 16 Y
12-LH 16 Y
13-JG 14 Y
14-EEC 12 Y
15-NW 14 Y
CONNECTS TO WIRE ASM-CHASSIS (SHT 1, A-B)

1-LL 16 W
2-LN 16 W
3-LM 16 W
4-LP 16 Y
5-TL 16 Y
6-CL 16 W
7-KX 16 Y
8-LB 16 W
9-JT 16 Y
CONNECTS TO WIRE ASM-CHASSIS (SHT 1, D-B)

1-JJ 14 Y
2-JS 12 Y
3-JT 16 Y
4-JU 14 Y
5-JW 14 Y
6-KX 16 Y
7-LB 16 W
8-LL 16 W
9-LM 16 W
10-LN 16 W
11-LP 16 Y
12-MM 14 Y
CONNECTS TO WIRE ASM-RIGHT (SHT 3, D-B)

XJ GL
CONNECTS TO WIRE ASM-HOLDING TANK
1-XJ 16 Y
2-GL 16 W

XH GL
CONNECTS TO WIRE ASM-WATER TANK
1-XH 16 Y
2-GL 16 W

XK GL
CONNECTS TO WIRE ASM-AUX HOLDING TANK
1-
2-GL 16 W

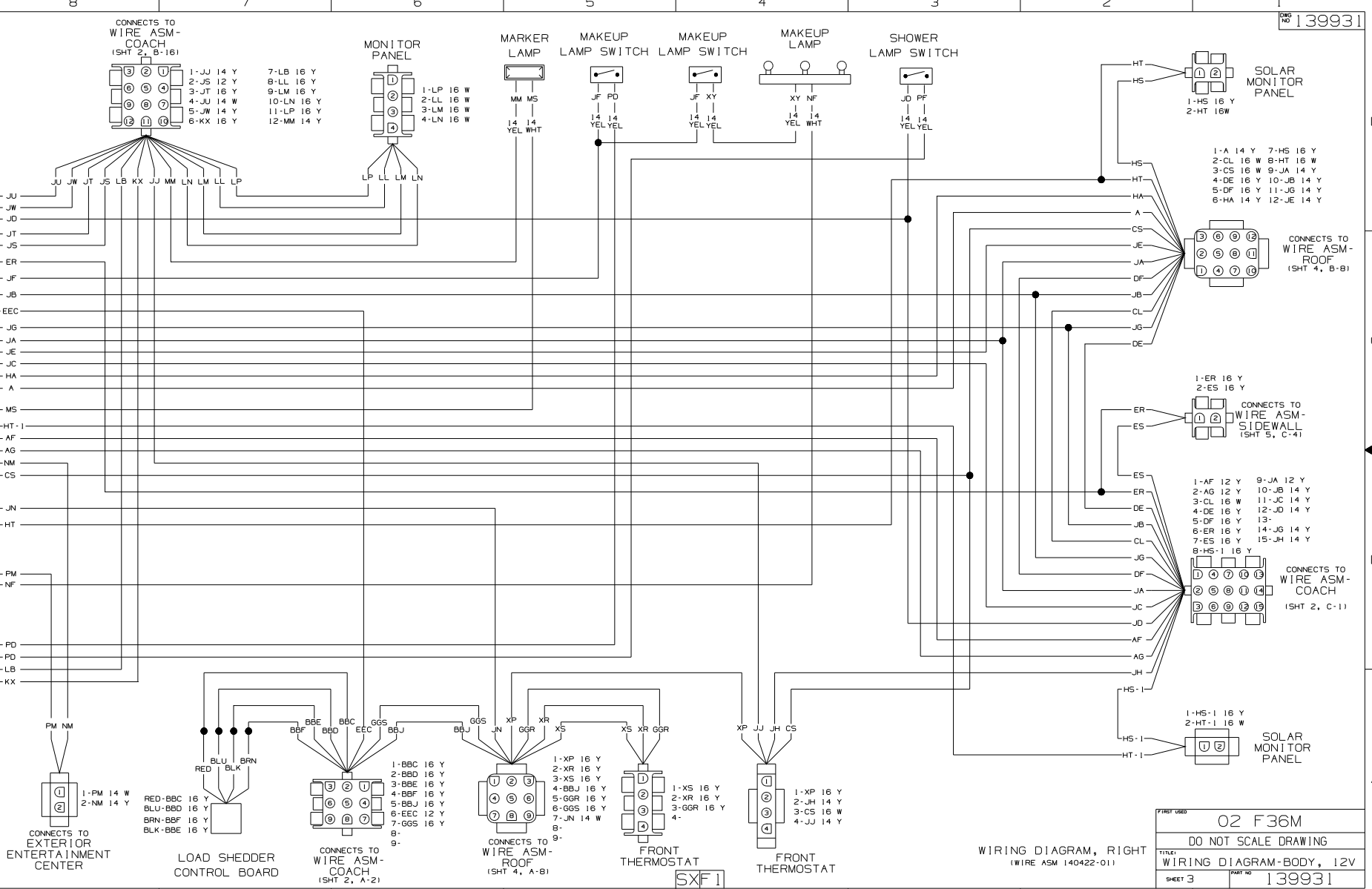
LJ LH LG KF KF
CONNECTS TO BATTERY DISCONNECT SWITCH
1-KF 16 W
2-LH 14 Y
3-LJ 16 Y
4-LJ 16 Y
5-LG 16 Y
6-KF 16 W
7-
8-

14 YEL YEL
14 WHT
JD PH
PH ND
AISLE LAMP SWITCH
AISLE LAMP

WE NW
1-NW 14 W
2-WE 14 W
CONNECTS TO WIRE ASM-EXTENSION

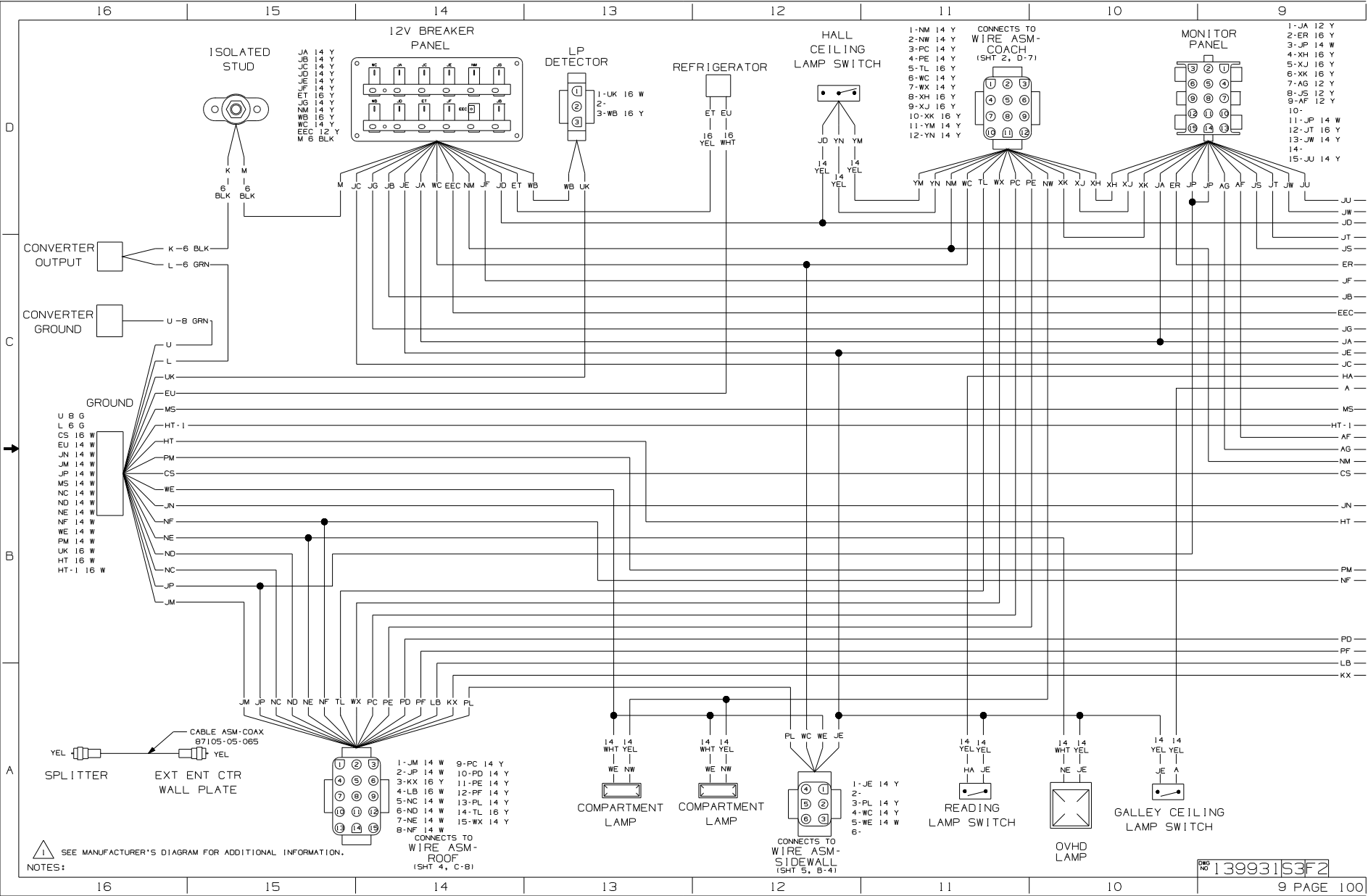
14 YEL WHT
14 YEL WHT
14 YEL WHT
NW WE
NW WE
COMPARTMENT LAMP

NOTE
1 SEE MANUFACTURER'S DIAGRAM FOR ADDITIONAL INFORMATION.
NOTES:



WIRING DIAGRAM, RIGHT (WIRE ASM 140422-01)

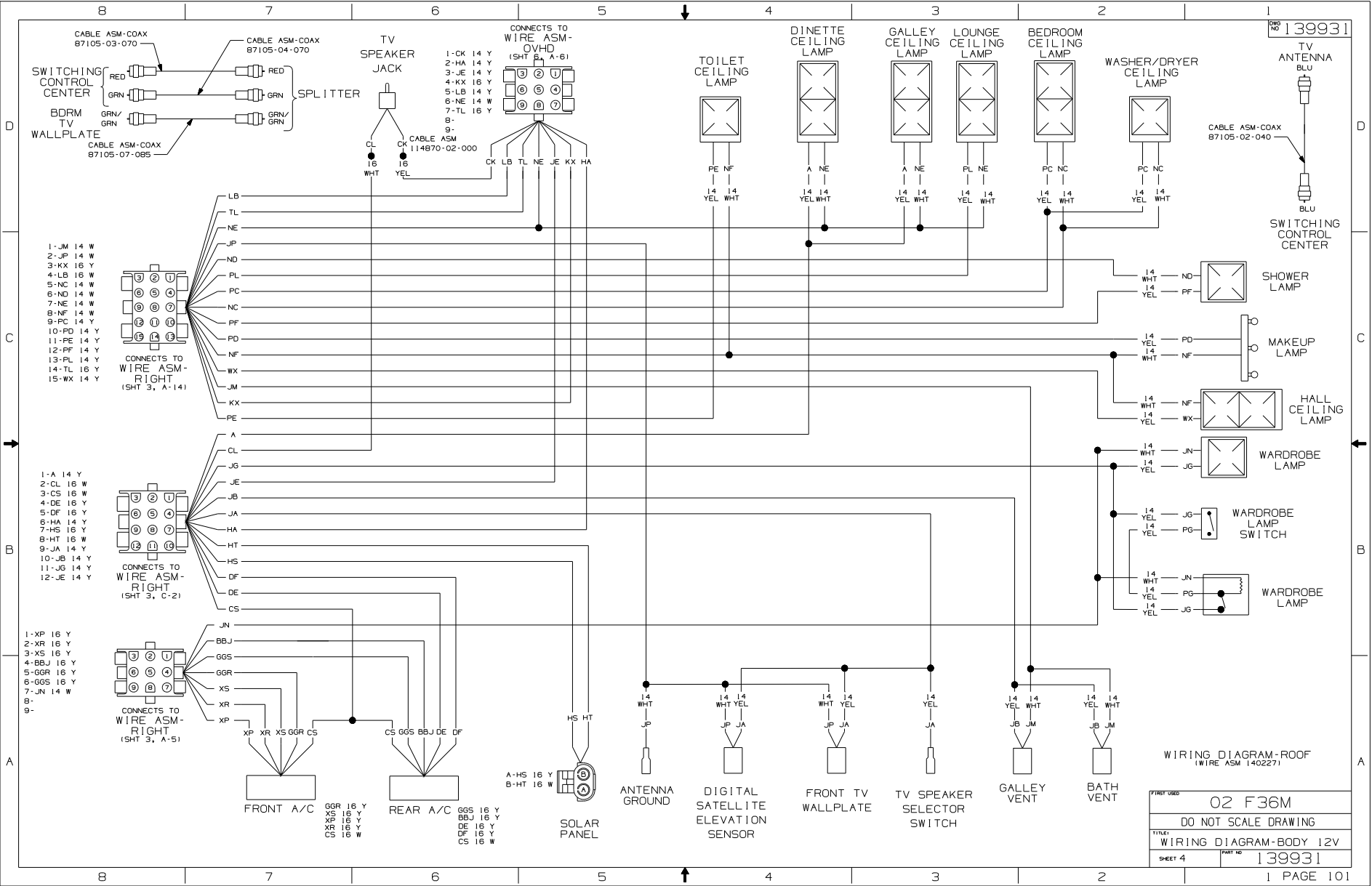
FIRST USED 02 F36M
DO NOT SCALE DRAWING
TITLE: WIRING DIAGRAM-BODY, 12V
SHEET 3 PART NO 139931
PAGE 99



1 SEE MANUFACTURER'S DIAGRAM FOR ADDITIONAL INFORMATION.
 NOTES:

CONNECTS TO WIRE ASM-ROOF (SHT 4, C-8)

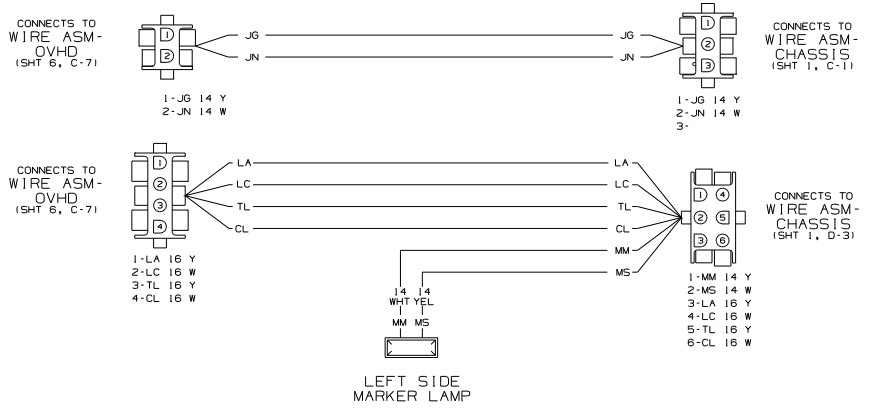
CONNECTS TO WIRE ASM-SIDEWALL (SHT 5, B-4)



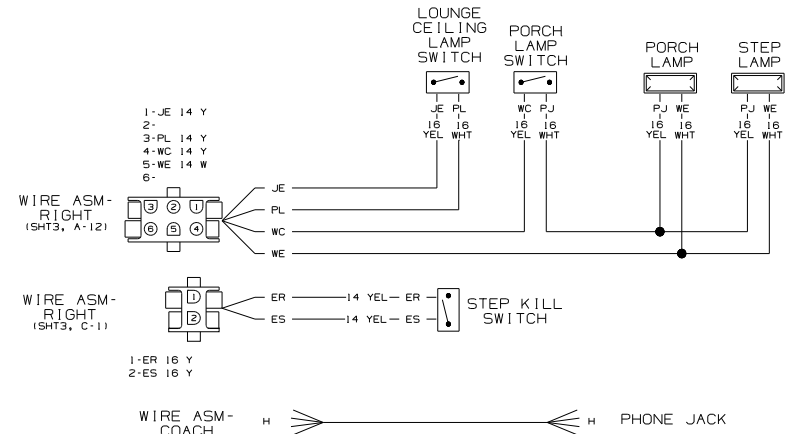
139931

WIRING DIAGRAM-ROOF
(WIRE ASM 140227)

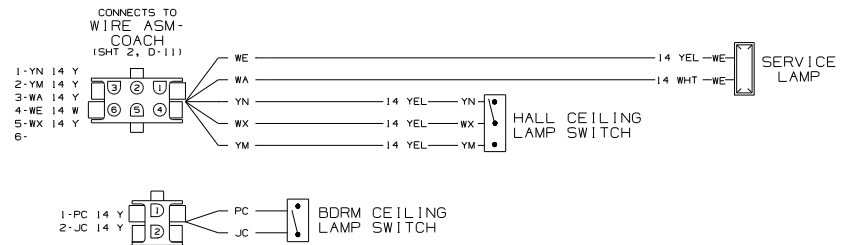
| | |
|-----------------------------------|----------------|
| FIRST USED | 02 F36M |
| DO NOT SCALE DRAWING | |
| TITLE: WIRING DIAGRAM-BODY 12V | |
| SHEET 4 | PART NO 139931 |



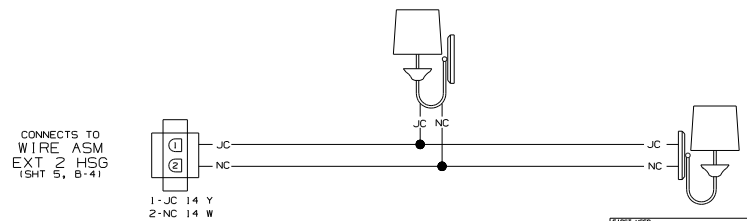
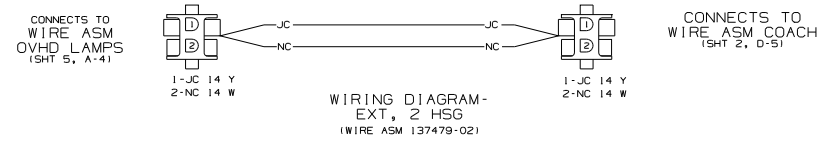
WIRING DIAGRAM SIDEWALL, LEFT (WIRE ASM 139347-02)



WIRING DIAGRAM SIDEWALL (WIRE ASM 140226)

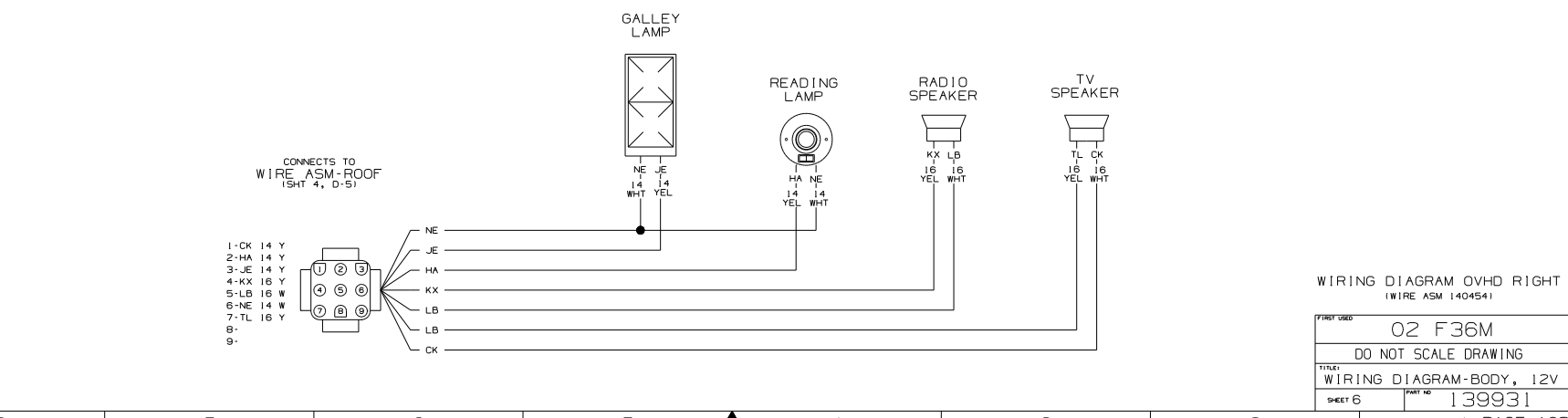
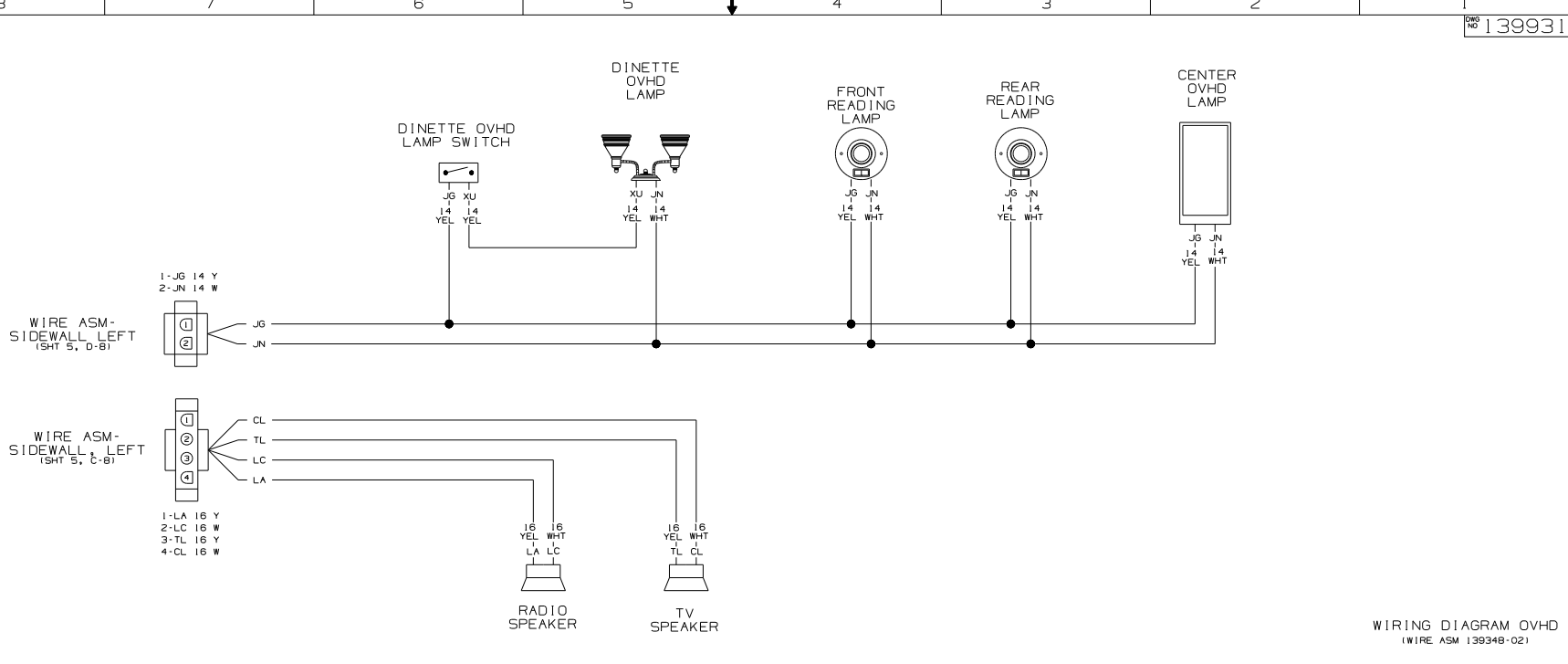


WIRING DIAGRAM-SIDEWALL (WIRE ASM 140164)

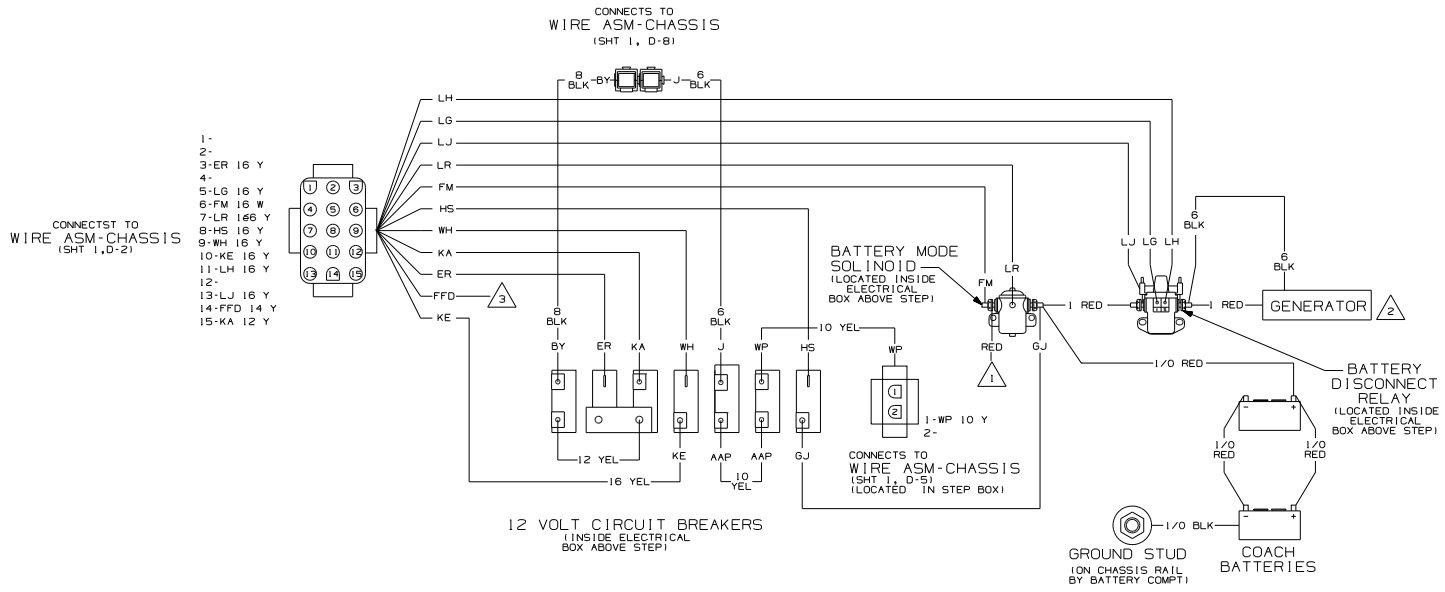


WIRING DIAGRAM-OVHD (WIRE ASM 139574-06)

| | |
|---------------------------------|----------------|
| FIRST USED | |
| 02 F36M | |
| DO NOT SCALE DRAWING | |
| TITLE: WIRING DIAGRAM-BODY, 12V | |
| SHEET 5 | PART NO 139931 |



| | |
|----------------------|--------------------------|
| FIRST USED | 02 F36M |
| DO NOT SCALE DRAWING | |
| TITLE: | WIRING DIAGRAM-BODY, 12V |
| SHEET 6 | PART NO 139931 |



WIRING DIAGRAM-ELECTRICAL BOX (WIRE ASM 124125-02)

- △ NOT USED
 - △ SEE MANUFACTURER'S DIAGRAM FOR ADDITIONAL INFORMATION.
 - △ SEE WIRING DIAGRAM-AUTO FOR ADDITIONAL INFORMATION.
- NOTES:

| | |
|----------------------|-------------------------|
| FIRST USED | 02 F36M |
| DO NOT SCALE DRAWING | |
| TITLE: | WIRING DIAGRAM-BODY 12V |
| SHEET 7 | PART NO 139931 |