

(B) CODES/STANDARDS USA
 (265) CODES/STANDARDS - CSA, CMVSS

- NOTES:
7. SECURE VENT TUBES WITH BRACKET 136878-01-CHT (4), CLAMP 62401-02-000 (4), SCREW G67-10-12B (4)
 6. VENT PIPE MUST PROECT 51 MIN AND 64 MAX ABOVE ROOF FOR PROPER FIT AND FUNCTION.
 5. SEAL AROUND SHOWER WITH SILICONE.
 4. ALL EXTERIOR OPENINGS AROUND PIPE TO BE SEALED WITH 100744-01-000.
 3. ALL PIPE AND FITTINGS TO BE ASSEMBLED WITH SOLVENT 4020-01-000.
 2. SLOPE OF TRAP ARM MUST BE 6 PER 305 mm.
 1. SLOPE OF HORIZONTAL PIPING TO BE 6 PER 305 mm.

WINNEBAGO		COPYRIGHT 2002 WINNEBAGO INDUSTRIES, INC.	
DFT	ORIG. DATE	ALL DIMENSIONS ARE IN MILLIMETERS	
CHKR		FIRST USED	
P.E.		02 F36M	
M.E.		UNSPECIFIED TOLERANCES ARE:	
DSNR		MATERIAL:	
		WHOLE DIM (X) :	3
		ONE-PLACE (X.X) :	
		TWO-PLACE (X.XX) :	
		ANGLE :	
THIRD ANGLE PROJECTION		DO NOT SCALE DRAWING	
		TITLE: DRAINAGE SYSTEM INSTL	
		SHEET 1 OF 3	PART NO 139358

(X-X)
 FOR
 DRAINAGE
 CALLOUTS
 SEE DWG NO
 116229-01-000

SINK-LAVATORY
136639-01-CHT
SCREW
G67-08-10U (3)

SHOWER INSTL-ENCLOSURE
131620-05-000
STRAINER
66440-01-000
NUT-SLIP
130403-01-000
TAILPIECE
11069-06-000
WASHER
127440-02-CHT

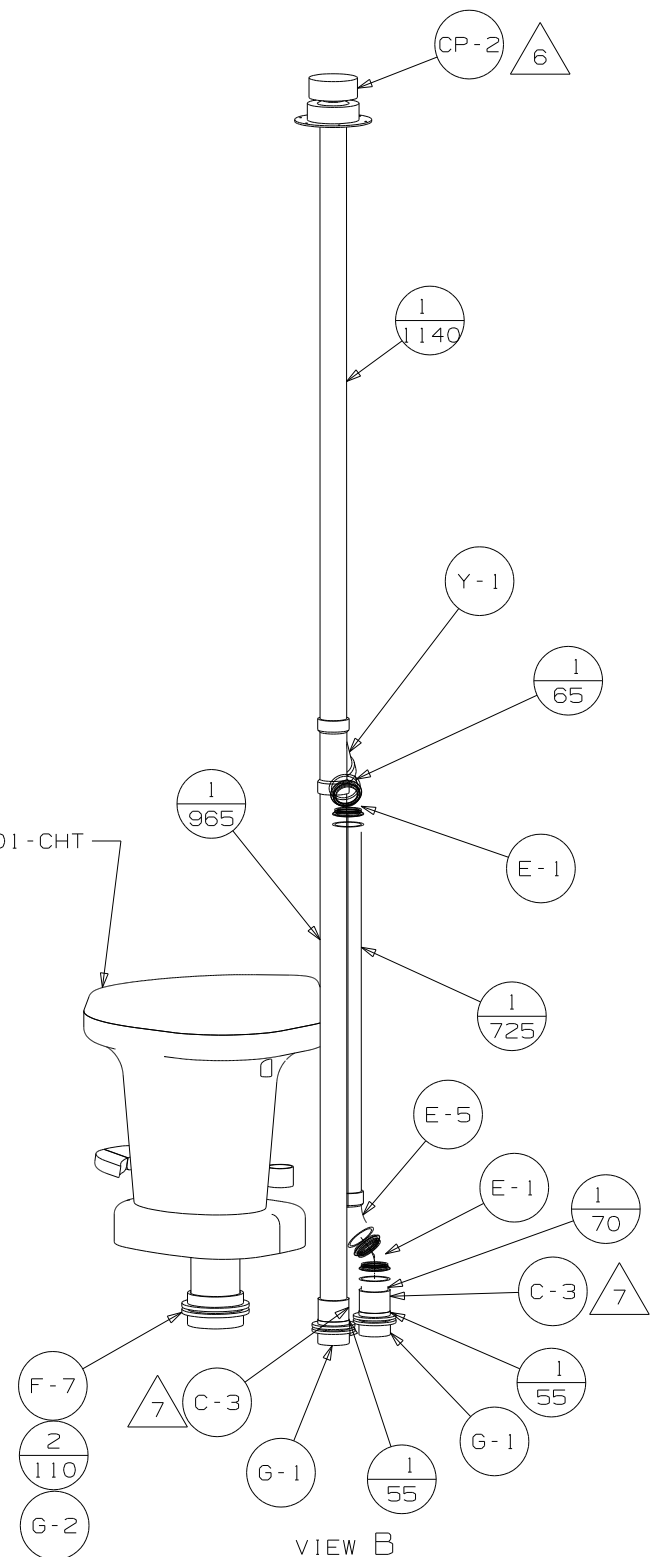
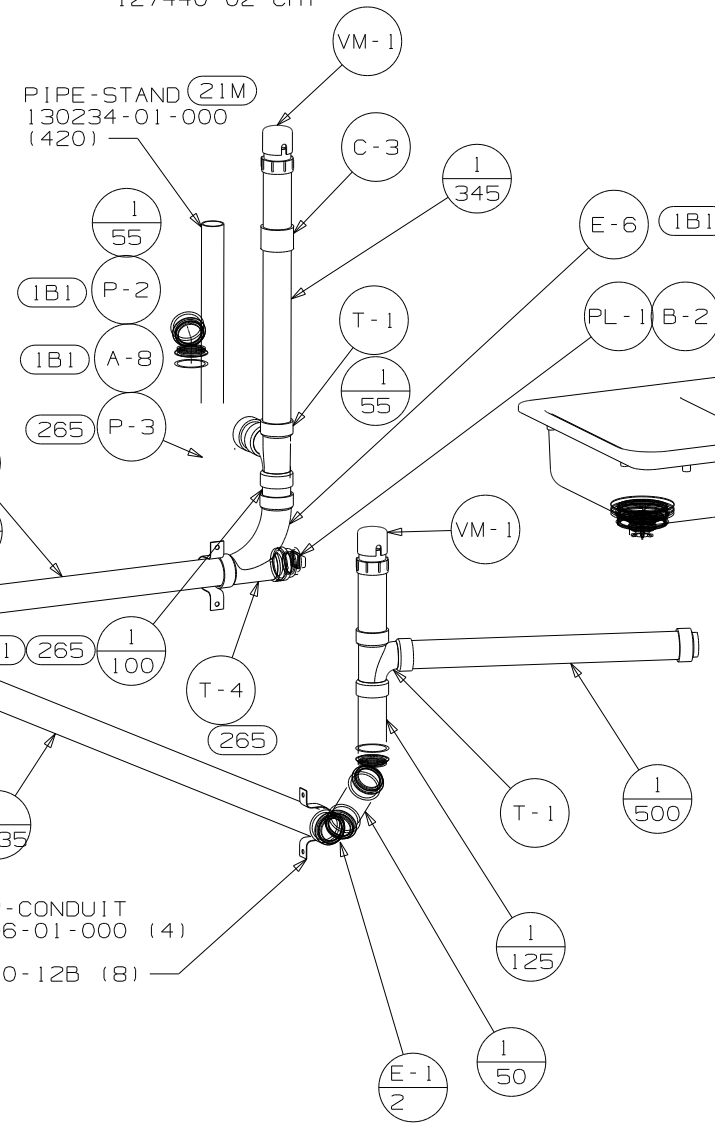
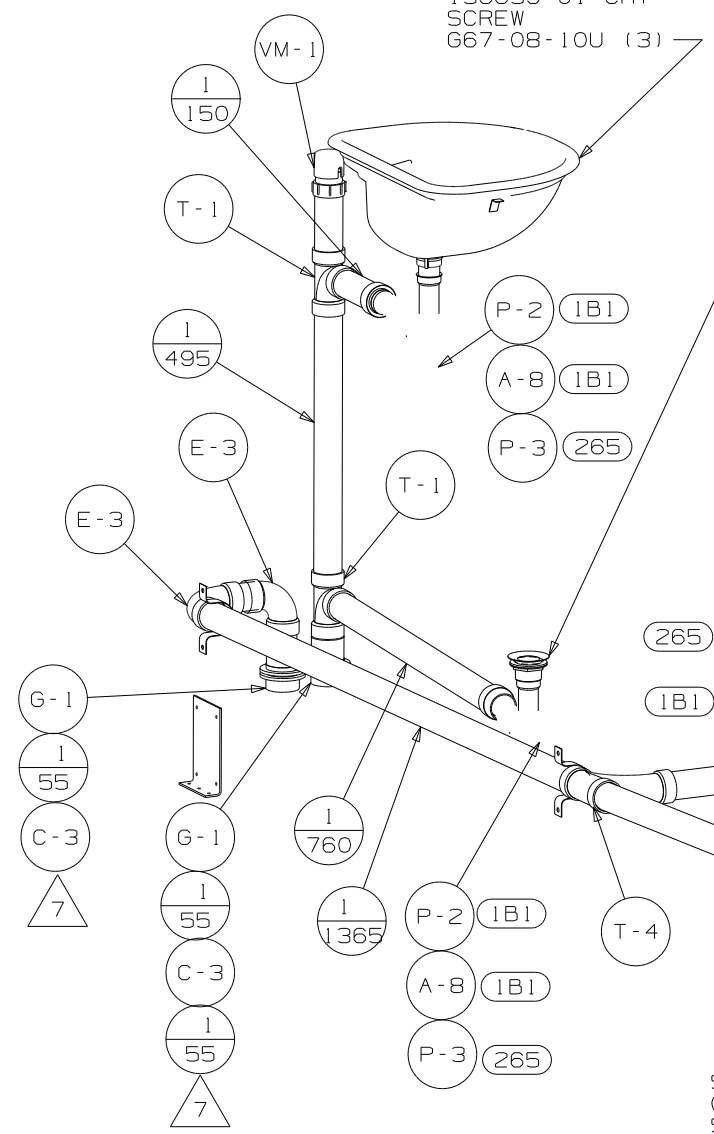
PIPE-STAND (21M)
130234-01-000
(420)

SIN-SMA, DBL L/S/BASIN
136828-01-CHT
STRAINER
92303-01-000 (2)
WASHER-RUBBER
127440-02-CHT (2)
SEAL A/R
SCREW
G67-10-08B (10)
ANGLE
130481-07-CHT (6)

WASTE-CONT, DBL SINK
91980-01-000

TOILET
140798-01-CHT

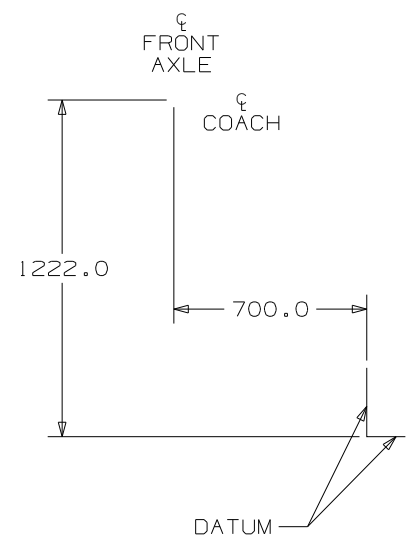
STRAP-CONDUIT
008406-01-000 (4)
SCREW
G67-10-12B (8)



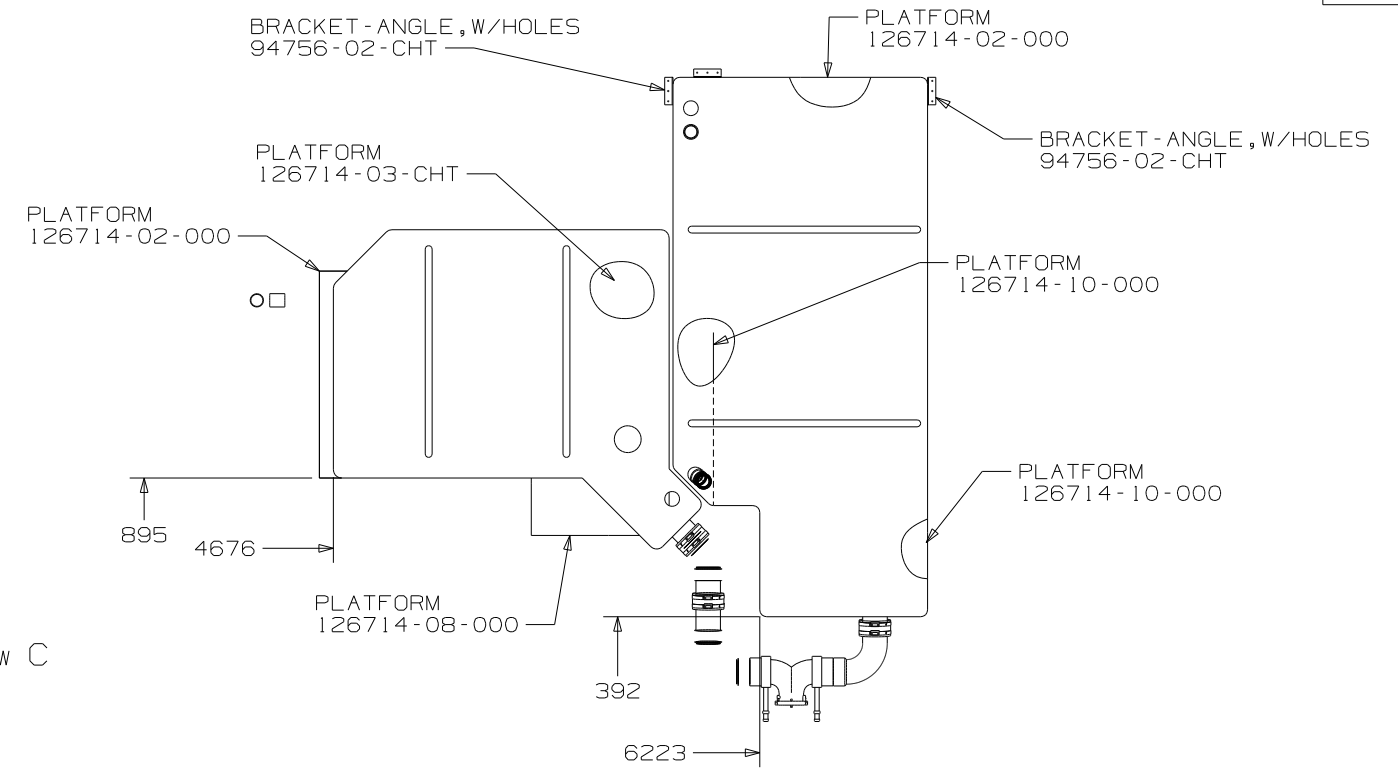
VIEW A

VIEW B

FIRST USED	02 F36M
TITLE	DO NOT SCALE DRAWING
	DRAINAGE SYSTEM INSTL
SHEET 2	PART NO 139358

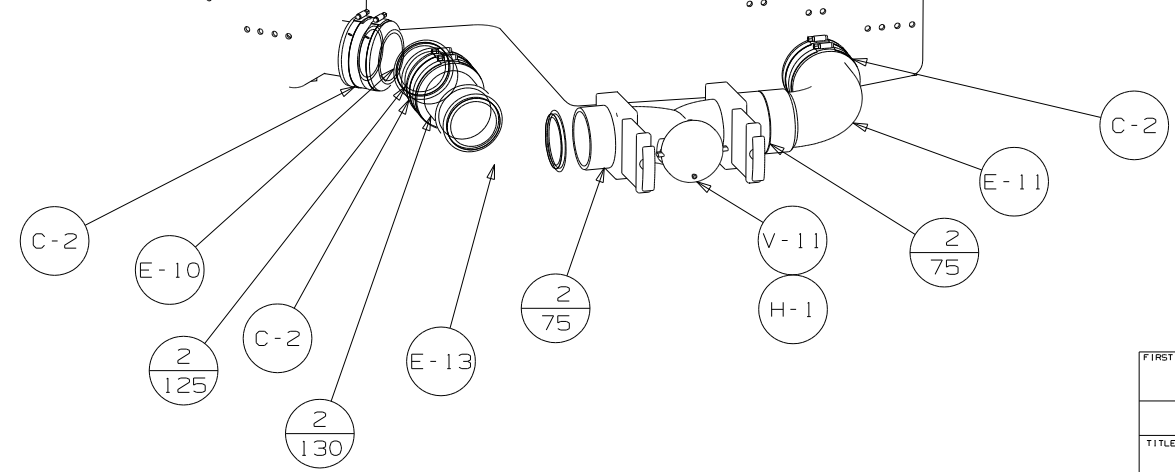


VIEW C



TANK - HOLDING, 45 GAL
134216-03-000

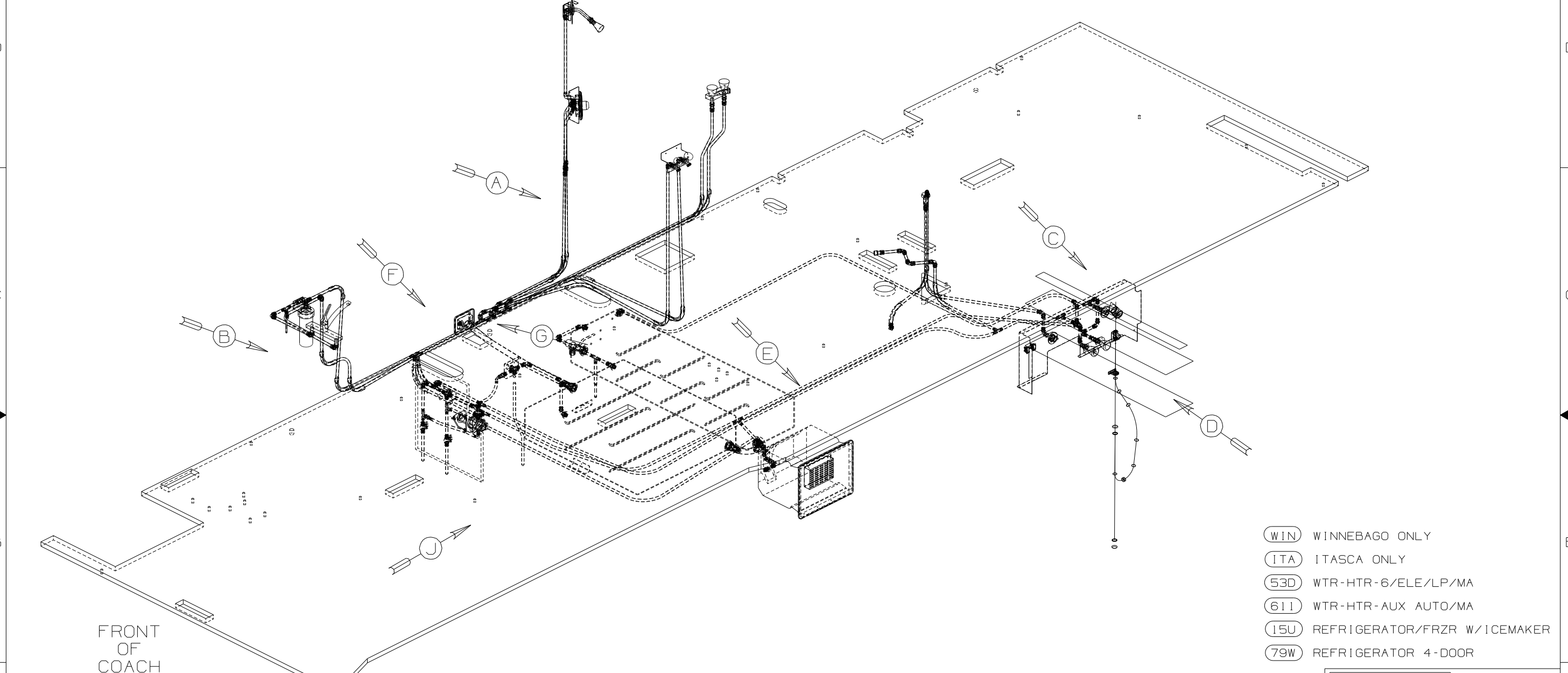
TANK - HOLDING, 67 GAL
134217-03-000



FIRST USED	02 F36M
DO NOT SCALE DRAWING	
TITLE	DRAINAGE SYSTEM INSTL
SHEET 3	PART NO 139358

DWG NO	----
139357-01	(WIN)
139357-02	(ITA)

RELEASE	REV DATE	DWG NO
A		139357
REV ZONE	REVISION RECORD	DATE
		DFTR-ORIG



- (WIN) WINNEBAGO ONLY
- (ITA) ITASCA ONLY
- (53D) WTR-HTR-6/ELE/LP/MA
- (611) WTR-HTR-AUX AUTO/MA
- (15U) REFRIGERATOR/FRZR W/ICEMAKER
- (79W) REFRIGERATOR 4-DOOR

- NOTES:
- 7 ADD TEFLON TAPE 10405-03-000.
 - 6 ADD TEFLON TAPE 10405-01-000.
 - 5 ADD TEFLON TAPE 10405-02-000.
 - 4 FLUSHING SYSTEM REQUIRES 125697-06-000 INSTRUCTION SHEET.
3. ALL TUBING TO BE SECURED AT 1200 INTERVALS MAXIMUM WITH CLAMP 10495-01-000 OR CLIP 9151-01-000 AND SCREW G67-10-12B.
 2. TUBING TO BE INSTALLED WITH SUFFICIENT SLOPE TO PROVIDE DRAINAGE TO NEAREST VALVE.
 1. PLASTIC FITTINGS TO BE SEALED WITH SEALANT 84456-01-000.

WINNEBAGO		COPYRIGHT 2002 WINNEBAGO INDUSTRIES, INC.	
DFTR	ORIG. DATE	ALL DIMENSIONS ARE IN MILLIMETERS	
CHKR			
P.E.			
M.E.	FIRST USED		
DSNR	02 F36M		
UNSPECIFIED TOLERANCES ARE:		MATERIAL:	
WHOLE DIM (X)	:		
ONE-PLACE (X.X)	:		
TWO-PLACE (X.XX)	:		
ANGLE	:		
THIRD ANGLE PROJECTION		DO NOT SCALE DRAWING	
		TITLE: WATER SYSTEM INSTL	
SHEET 1 OF 4		PART NO 139357	
REF:		1	

(X-X)
FOR
WATER
CALLOUTS
SEE DWG NO
116230-01-000

4 BREAKER-VACUUM
125697-04-000
CHECK VALVE
125697-03-000
MUST BE MOUNTED ABOVE
TOILET FLOOD LEVEL

VALVE-SHOWER HEAD
128974-01-CHT
BRACKET ASM
131551-01-CHT

FAUCET-WASHER
98419-01-000(2)

FAUCET
131340-01-CHT

BRACKET-FAUCET
134472-01-CHT

TO REFRIGERATOR

TU-9 2800 15U 79W

V-14 15U 79W

T-23 15U 79W

FAUCET
104114-02-CHT
SPACER-FAUCET
137079-02-CHT

BRACKET-SHOWER CONTROL
131554-01-CHT

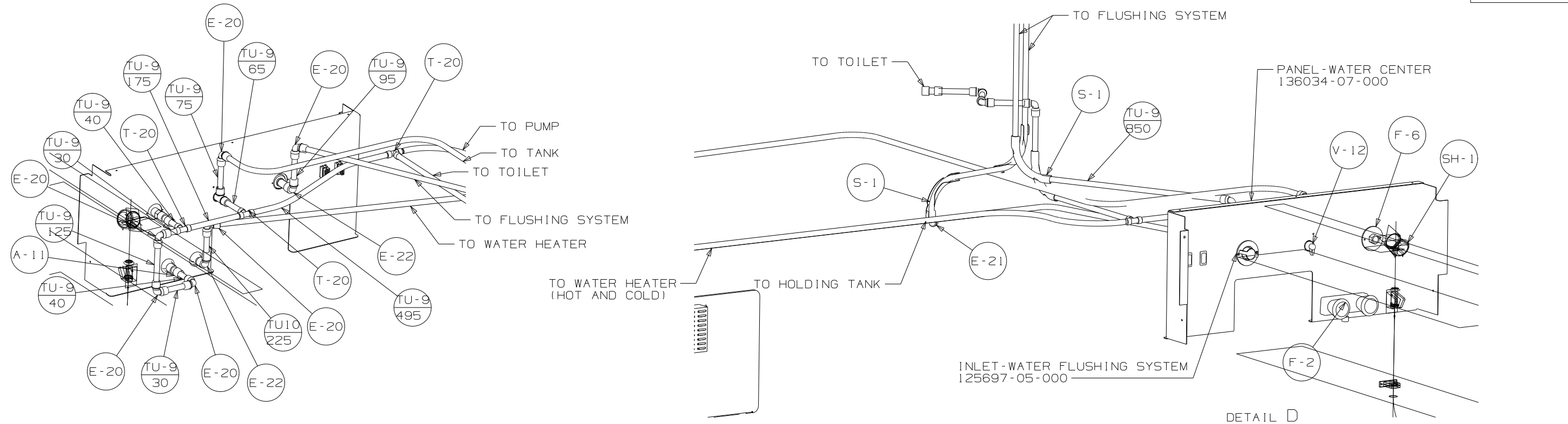
TO TOILET

FILTER
87200-01-000
CARTRIDGE
87200-02-000
SCREW
G67-10-12U (2)

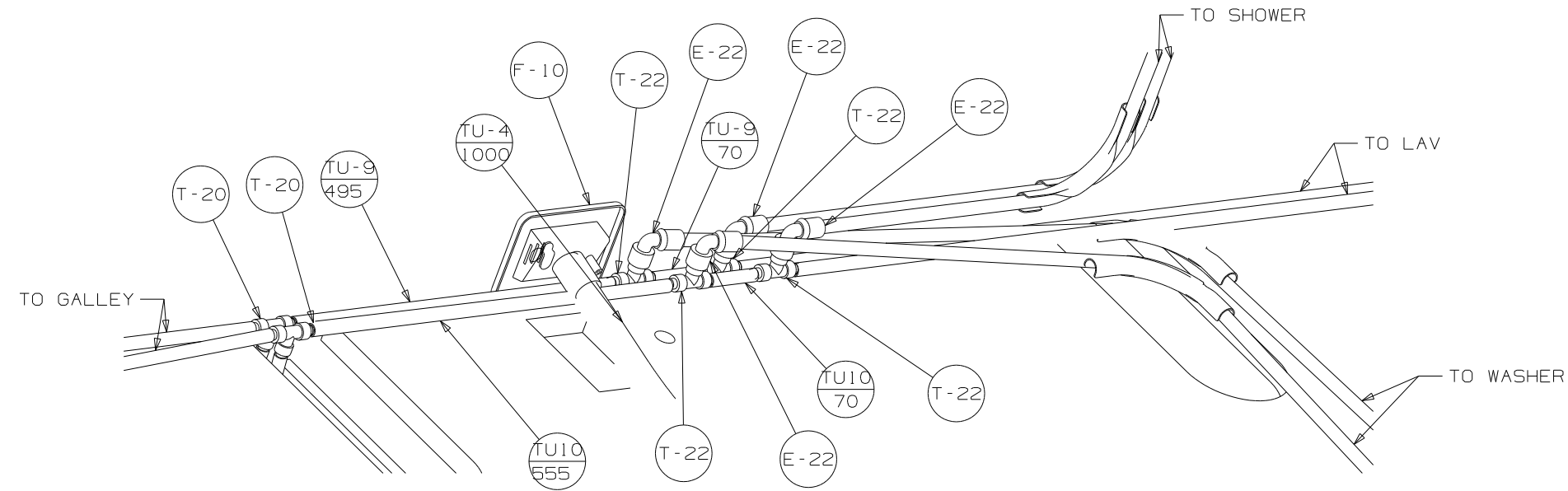
DETAIL B

DETAIL A

FIRST USED	02 F36M
DO NOT SCALE DRAWING	
TITLE	WATER SYSTEM INSTL
SHEET 2	PART NO 139357

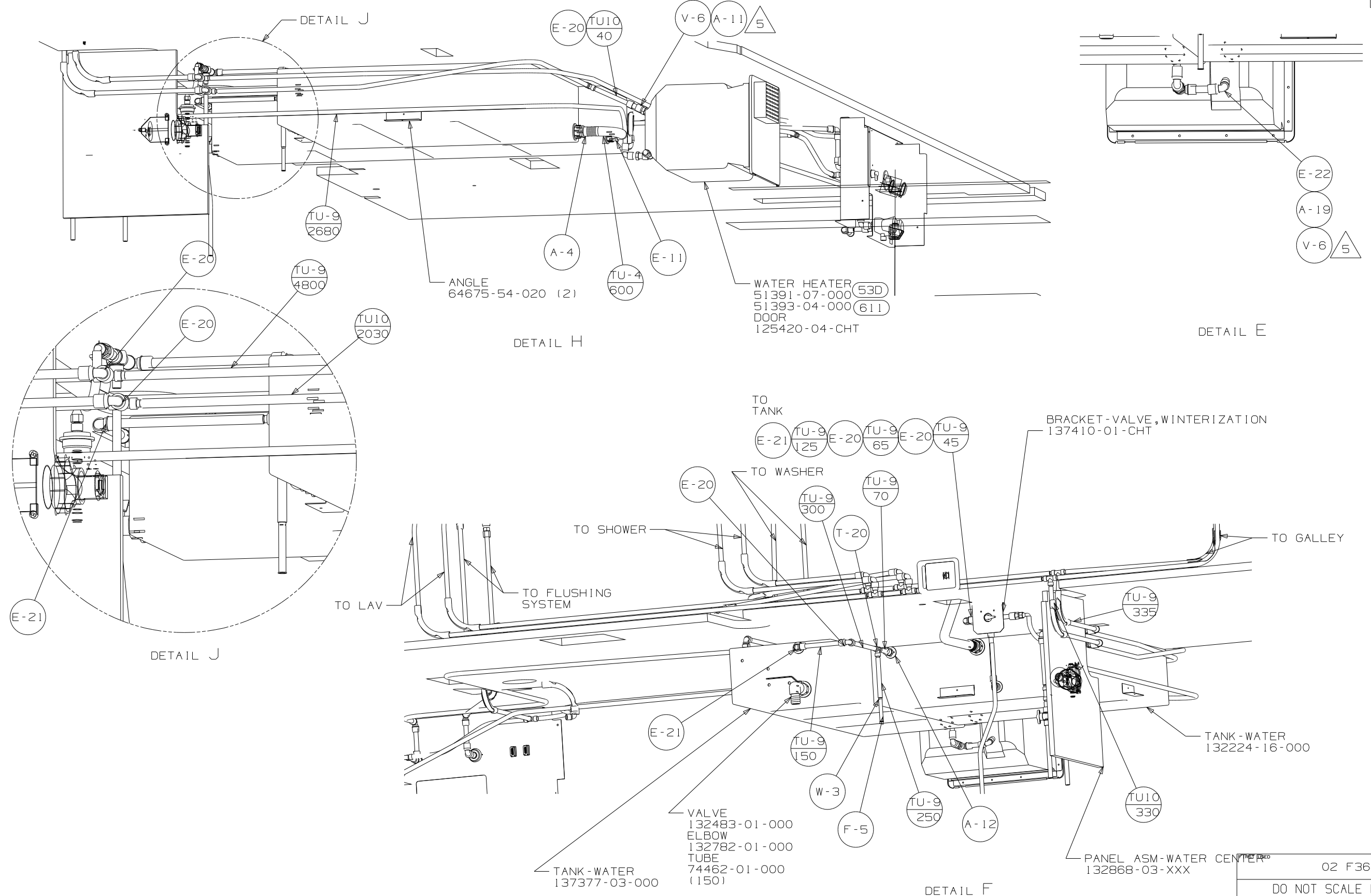


DETAIL C



VIEW G

FIRST USED	02 F36M
DO NOT SCALE DRAWING	
TITLE	WATER SYSTEM INSTL
SHEET 3	PART NO 139357



DETAIL J

DETAIL H

DETAIL E

DETAIL F

02 F36M	
DO NOT SCALE DRAWING	
TITLE: WATER SYSTEM INSTL	
SHEET 4	PART NO 139357