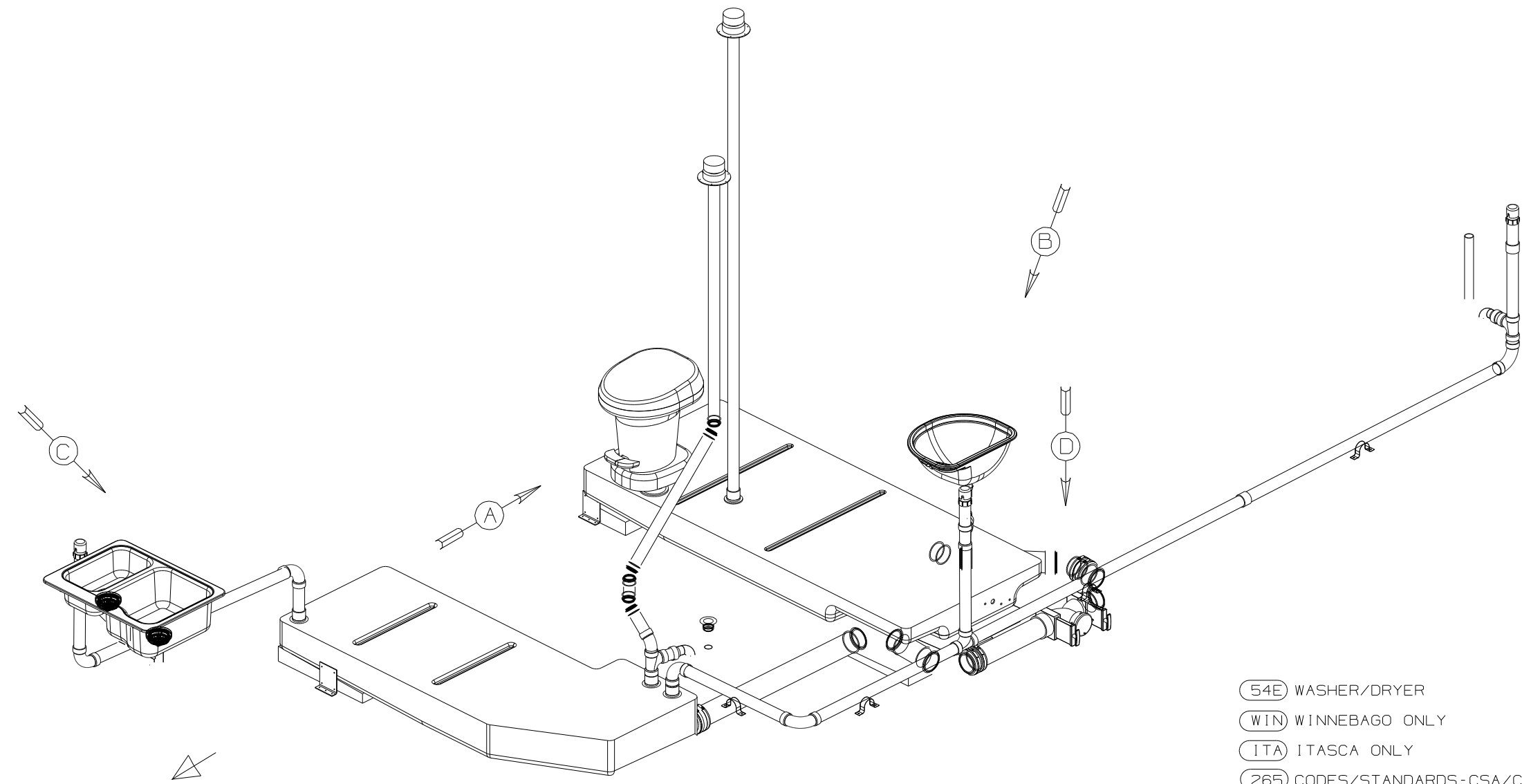


DWG NO	----
139896-01	(WIN)
139896-02	(ITA)

RELEASE	REV DATE	DWG NO	139896
REV ZONE	REVISION RECORD	DATE	DFTR-ORIG



FRONT OF VEHICLE

- (54E) WASHER/DRYER
- (WIN) WINNEBAGO ONLY
- (ITA) ITASCA ONLY
- (265) CODES/STANDARDS-CSA/CMVSS
- (1B1) CODES/STANDARDS-USA
- (21M) WASHER/DRYER/PREP

- NOTES:
7. SECURE VENT TO FLOOR WITH BRACKET 136878-01-CHT CLAMP 62401-02-000, SCREW G67-10-12B.
 6. VENT PIPE MUST PROJECT 51 MIN AND 64 MAX ABOVE ROOF FOR PROPER FIT AND FUNCTION.
 5. SEAL AROUND SHOWER WITH SILICONE.
 4. ALL EXTERIOR OPENINGS AROUND PIPE TO BE SEALED WITH 100744-01-000.
 3. ALL PIPE AND FITTINGS TO BE ASSEMBLED WITH SOLVENT 4020-01-000.
 2. SLOPE OF TRAP ARM MUST BE 6 PER 305 mm.
 1. SLOPE OF HORIZONTAL PIPING TO BE 6 PER 305 mm.

FOR DRAINAGE CALLOUTS SEE DWG NO. 116229-01-000

WINNEBAGO		COPYRIGHT 2002 WINNEBAGO INDUSTRIES, INC.	
DFTR	ORIG. DATE	ALL DIMENSIONS ARE IN MILLIMETERS	
CHKR		FIRST USED	
P.E.		02 F34D	
M.E.		UNSPECIFIED TOLERANCES ARE:	
DSNR		MATERIAL:	
		WHOLE DIM (X)	: 3
		ONE-PLACE (X.X)	:
		TWO-PLACE (X.XX)	:
		ANGLE	:
THIRD ANGLE PROJECTION		DO NOT SCALE DRAWING	
		TITLE: DRAINAGE SYSTEM INSTL	
SHEET 1 OF 3		PART NO 139896	

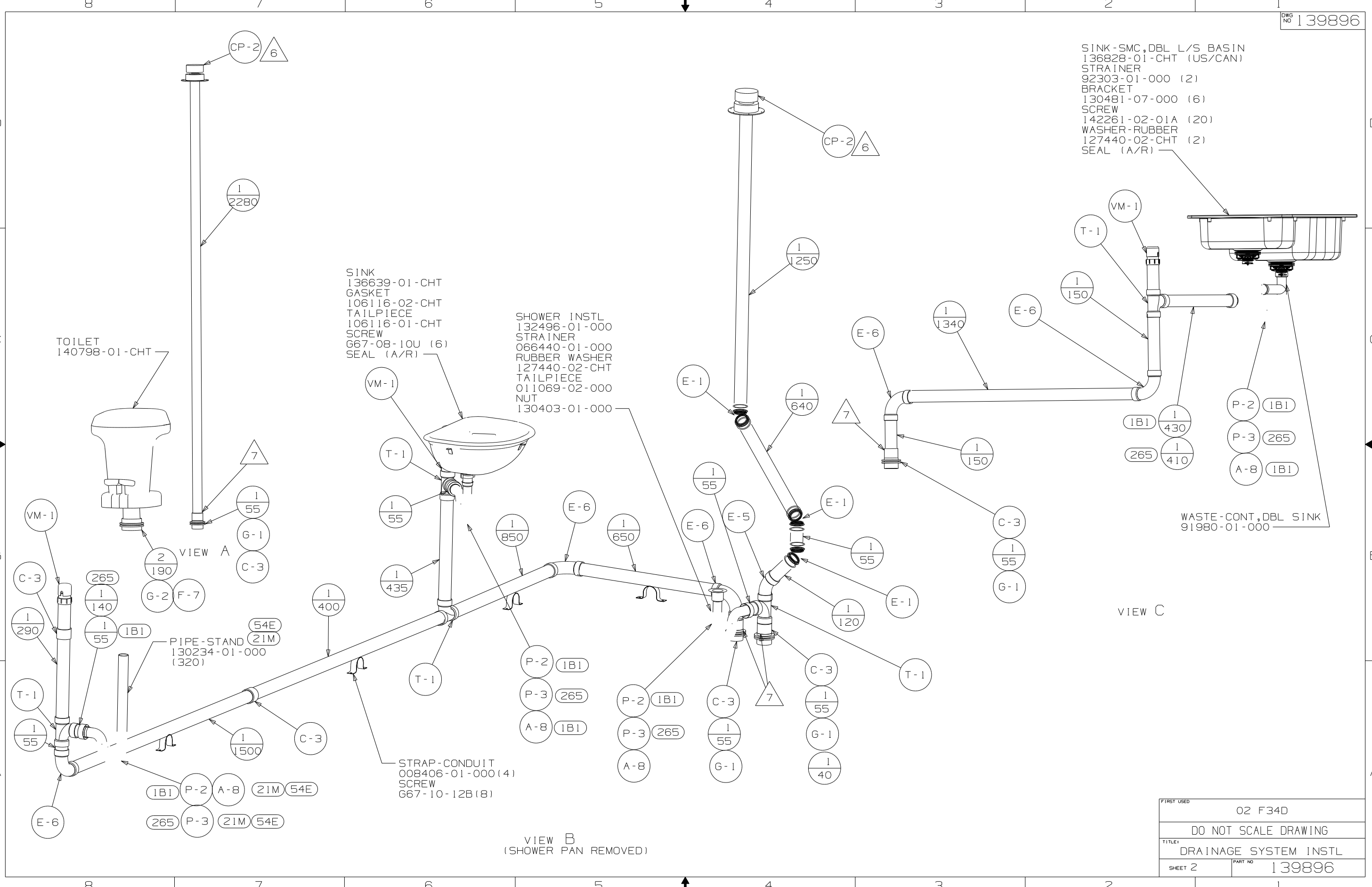
SINK-SMC, DBL L/S BASIN
 136828-01-CHT (US/CAN)
 STRAINER
 92303-01-000 (2)
 BRACKET
 130481-07-000 (6)
 SCREW
 142261-02-01A (20)
 WASHER-RUBBER
 127440-02-CHT (2)
 SEAL (A/R)

SINK
 136639-01-CHT
 GASKET
 106116-02-CHT
 TAILPIECE
 106116-01-CHT
 SCREW
 G67-08-10U (6)
 SEAL (A/R)

SHOWER INSTL
 132496-01-000
 STRAINER
 066440-01-000
 RUBBER WASHER
 127440-02-CHT
 TAILPIECE
 011069-02-000
 NUT
 130403-01-000

TOILET
 140798-01-CHT

WASTE-CONT, DBL SINK
 91980-01-000



VIEW A

VIEW B
 (SHOWER PAN REMOVED)

VIEW C

PIPE-STAND
 130234-01-000
 (320)

STRAP-CONDUIT
 008406-01-000 (4)
 SCREW
 G67-10-12B (8)

FIRST USED	02 F34D
TITLE	DO NOT SCALE DRAWING
	DRAINAGE SYSTEM INSTL
SHEET 2	PART NO 139896

8

7

6

5

4

3

2

1

D

D

C

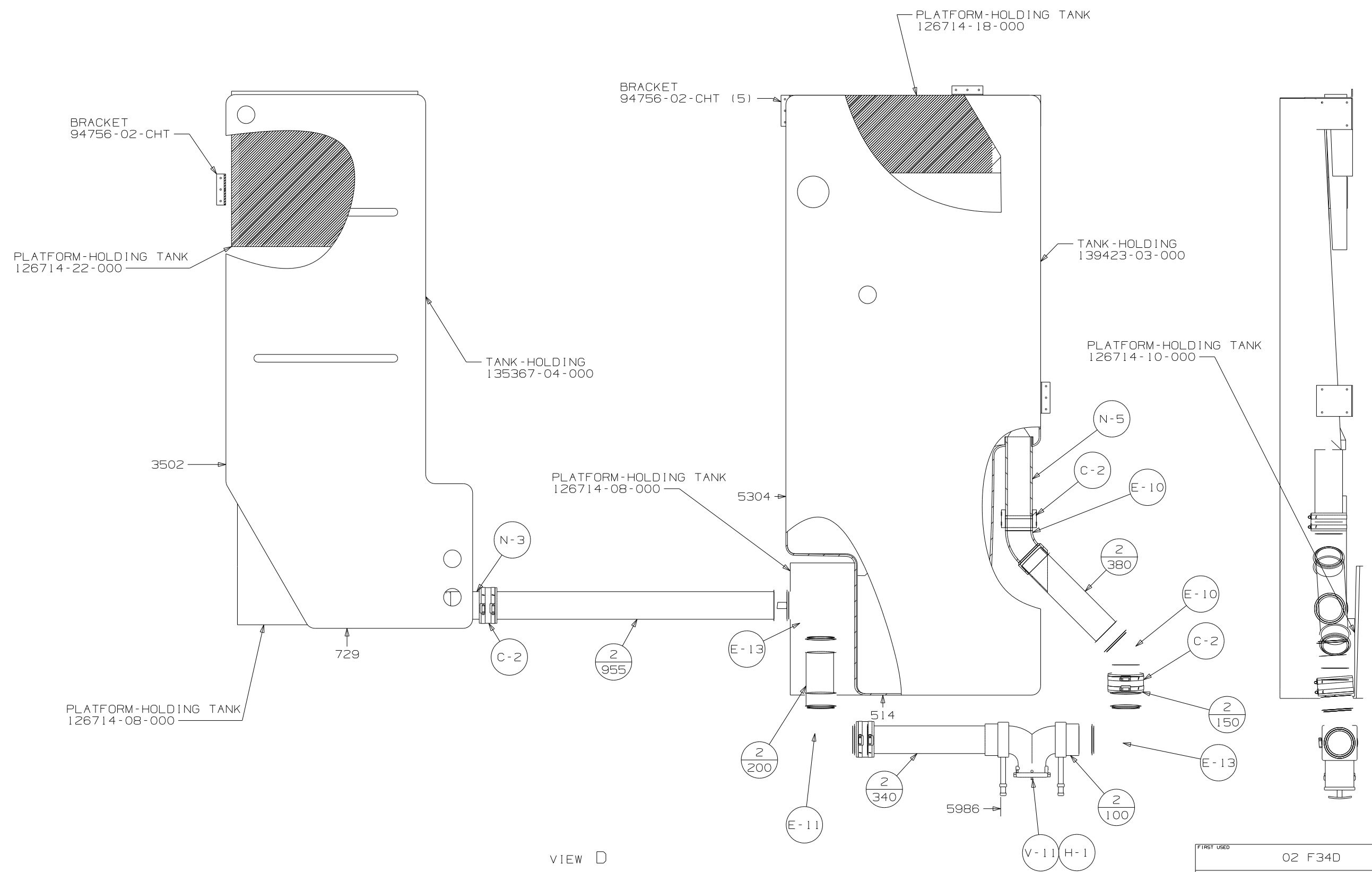
C

B

B

A

A



VIEW D

FIRST USED	02 F34D
TITLE	DO NOT SCALE DRAWING
	DRAINAGE SYSTEM INSTL
SHEET 3	PART NO 139896

8

7

6

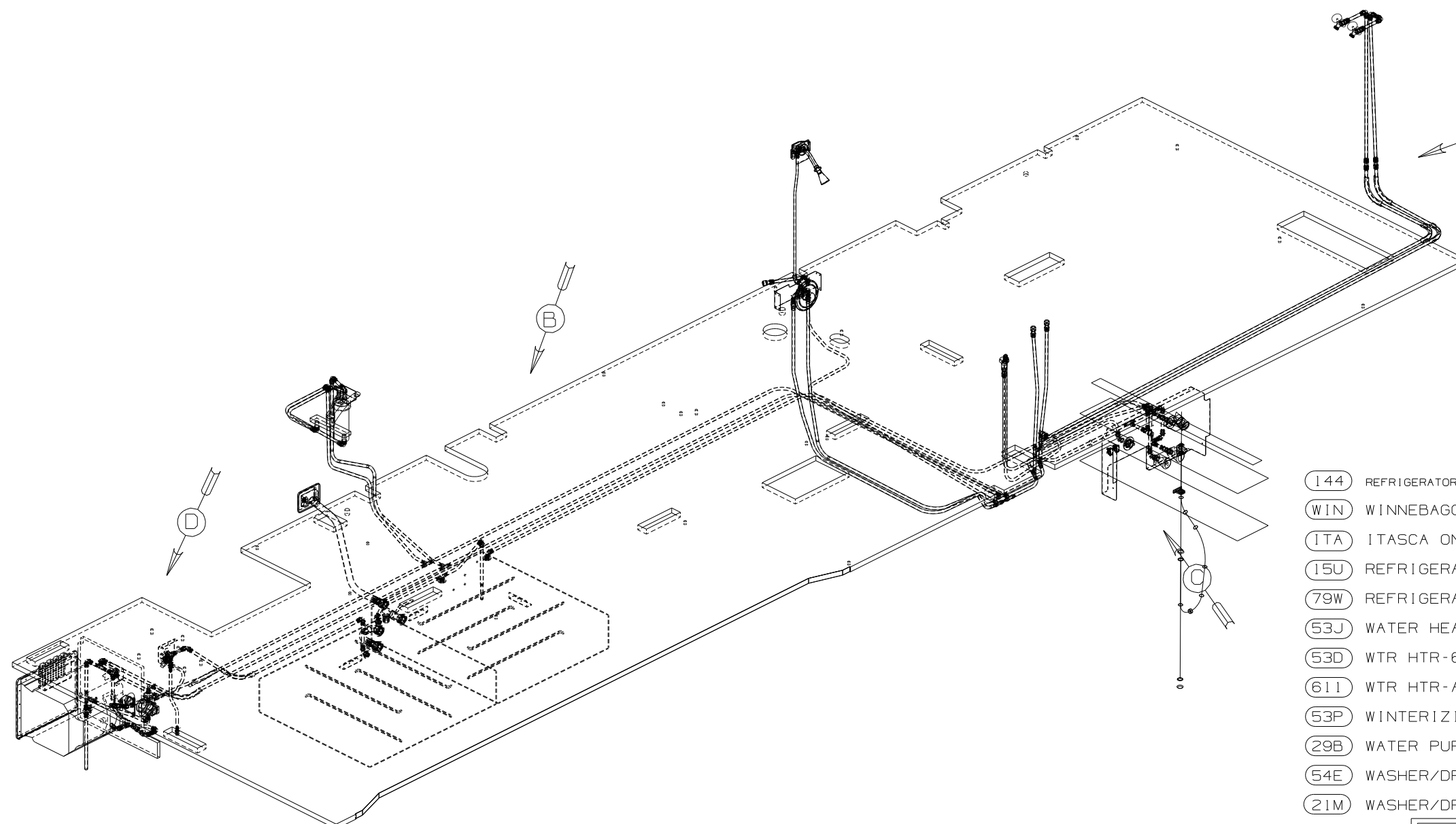
5

4

3

2

1



- (144) REFRIGERATOR-DOUBLE DOOR
- (WIN) WINNEBAGO ONLY
- (ITA) ITASCA ONLY
- (15U) REFRIGERATOR DBL DOOR-W/ICEMAKER
- (79W) REFRIGERATOR-4 DOOR
- (53J) WATER HEATER BY-PASS-VALVE
- (53D) WTR HTR-6 GAL/ELEC/LP/MOTORAID
- (611) WTR HTR-AUX AUTO/MOTORAID
- (53P) WINTERIZING VALVE, MANUAL
- (29B) WATER PURIFIER
- (54E) WASHER/DRYER
- (21M) WASHER/DRYER PREP

- NOTES:
- 7. ADD TEFLON TAPE 10405-03-000.
 - 6. ADD TEFLON TAPE 10405-01-000.
 - 5. ADD TEFLON TAPE 10405-02-000.
 - 4. FLUSHING SYSTEM REQUIRES 125697-06-000 INSTRUCTION SHEET.
 - 3. ALL TUBING TO BE SECURED AT 1200 INTERVALS MAXIMUM WITH CLAMP 10495-01-000 OR CLIP 9151-01-000 AND SCREW G67-10-12B.
 - 2. TUBING TO BE INSTALLED WITH SUFFICIENT SLOPE TO PROVIDE DRAINAGE TO NEAREST VALVE.
 - 1. PLASTIC FITTINGS TO BE SEALED WITH SEALANT 84456-01-000.

(X-X)
FOR
WATER
CALLOUTS
SEE DWG NO
116230-01-000

WINNEBAGO		COPYRIGHT 2002 WINNEBAGO INDUSTRIES, INC.	
DFTR	ORIG. DATE	ALL DIMENSIONS ARE IN MILLIMETERS	
CHKR		FIRST USED	
P.E.		02 F34D	
M.E.		UNSPECIFIED TOLERANCES ARE:	
DSNR		MATERIAL:	
		WHOLE DIM (X) :	7
		ONE-PLACE (X.X) :	
		TWO-PLACE (X.XX) :	
		ANGLE :	
THIRD ANGLE PROJECTION		DO NOT SCALE DRAWING	
TITLE: WATER SYSTEM INSTL			
SHEET 1 OF 4		PART NO 139895	

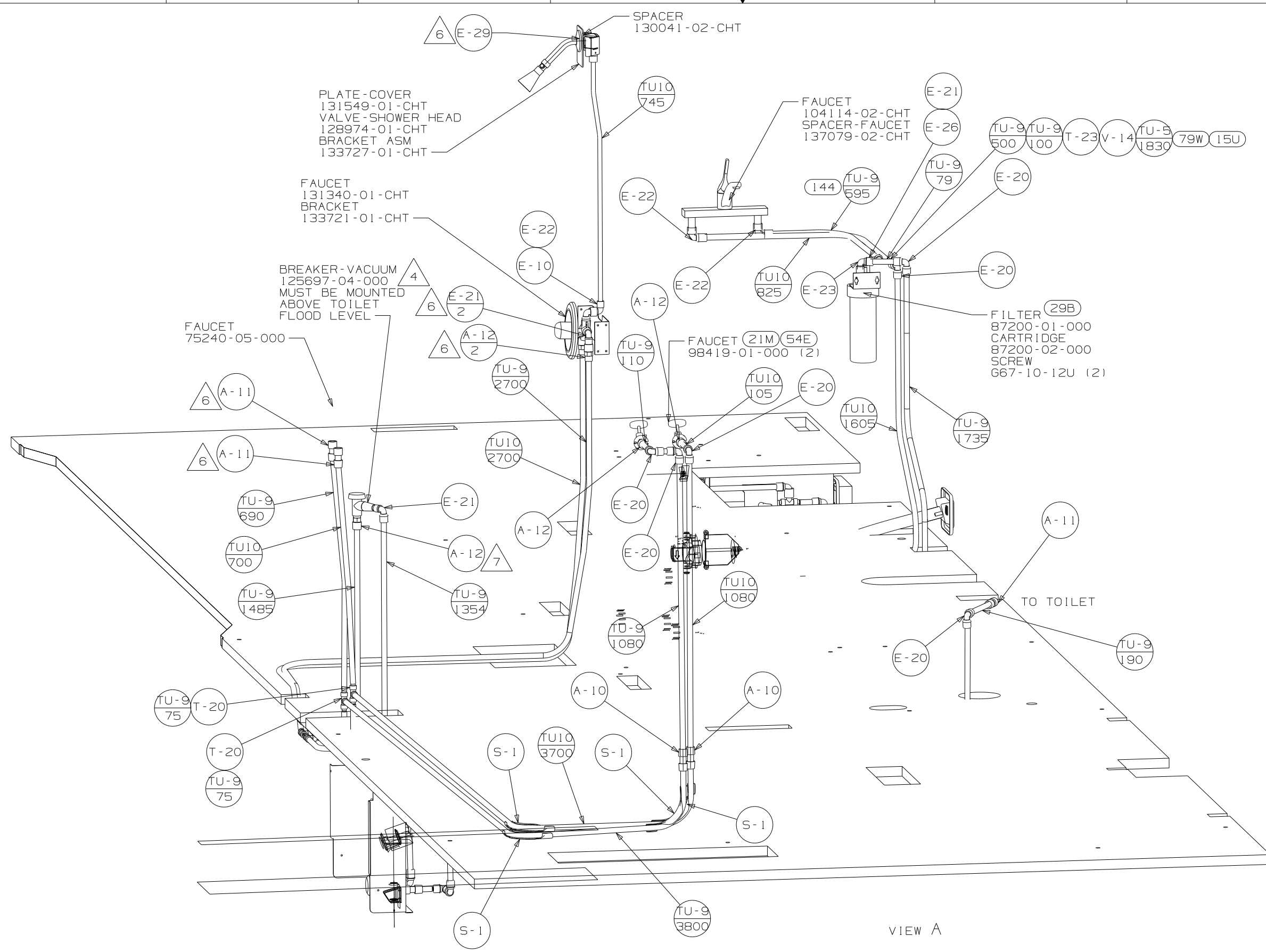


PLATE-COVER
131549-01-CHT
VALVE-SHOWER HEAD
128974-01-CHT
BRACKET ASM
133727-01-CHT

FAUCET
131340-01-CHT
BRACKET
133721-01-CHT

BREAKER-VACUUM
125697-04-000
MUST BE MOUNTED
ABOVE TOILET
FLOOD LEVEL

FAUCET
75240-05-000

SPACER
130041-02-CHT

FAUCET
104114-02-CHT
SPACER-FAUCET
137079-02-CHT

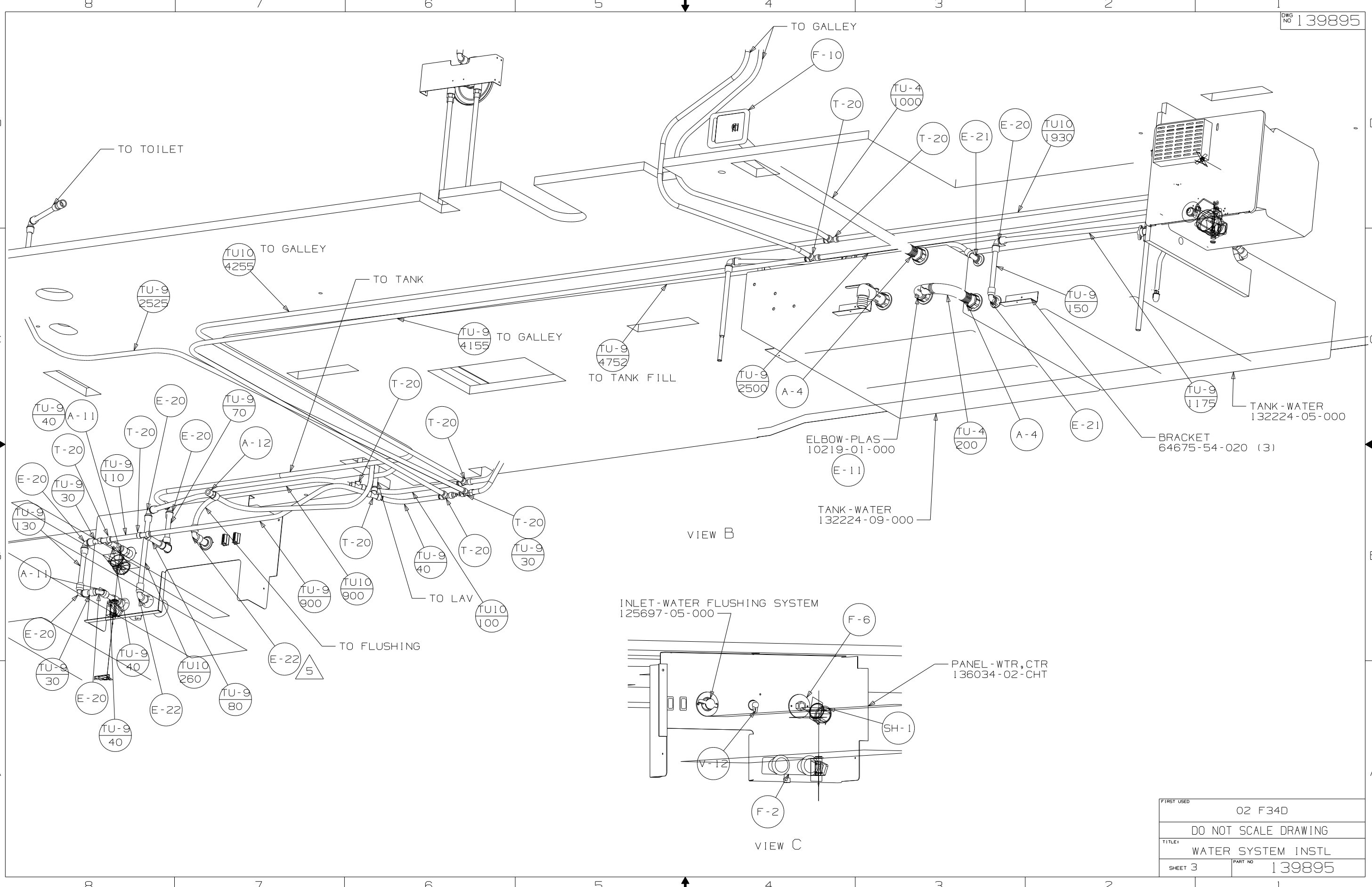
FILTER (29B)
87200-01-000
CARTRIDGE
87200-02-000
SCREW
G67-10-12U (2)

FAUCET (21M 54E)
98419-01-000 (2)

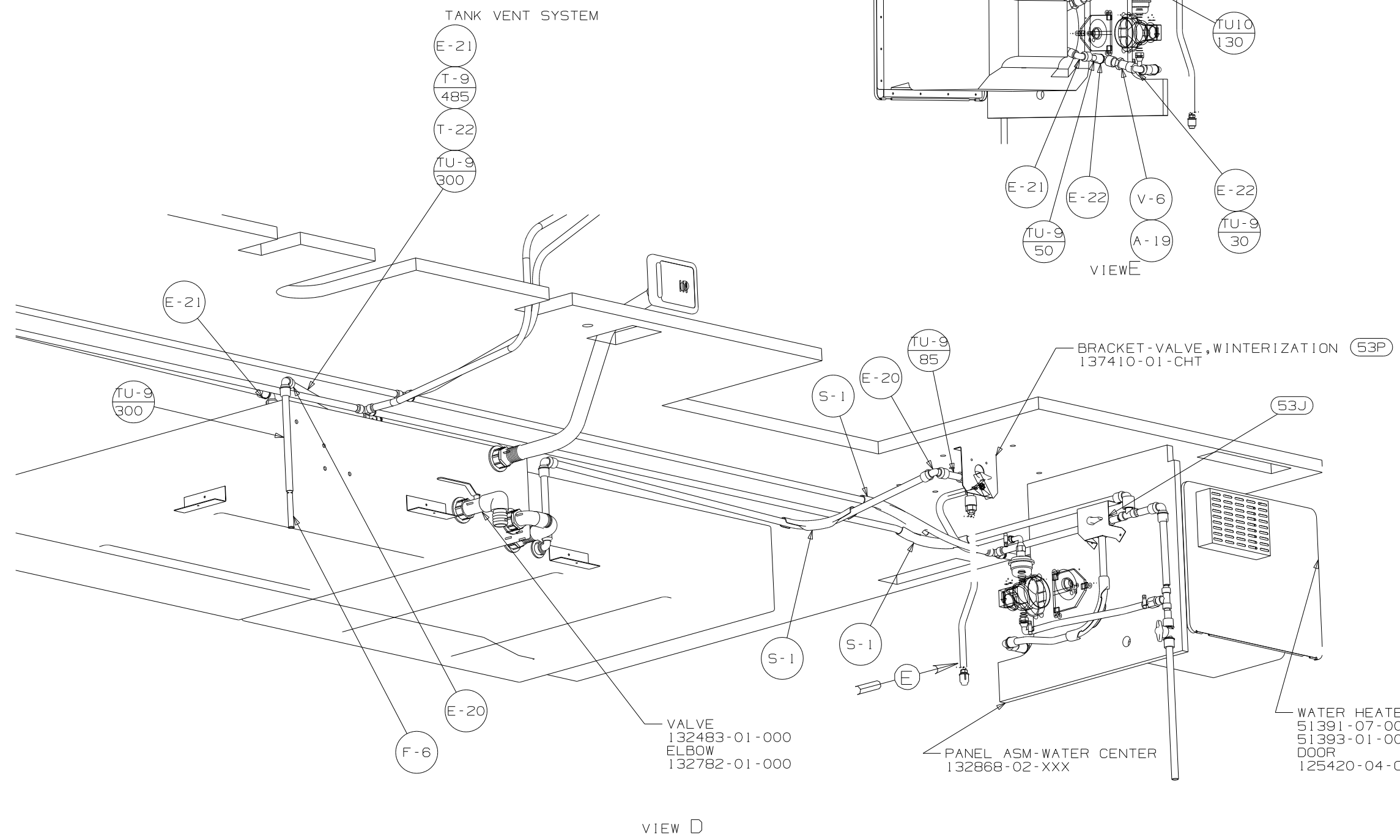
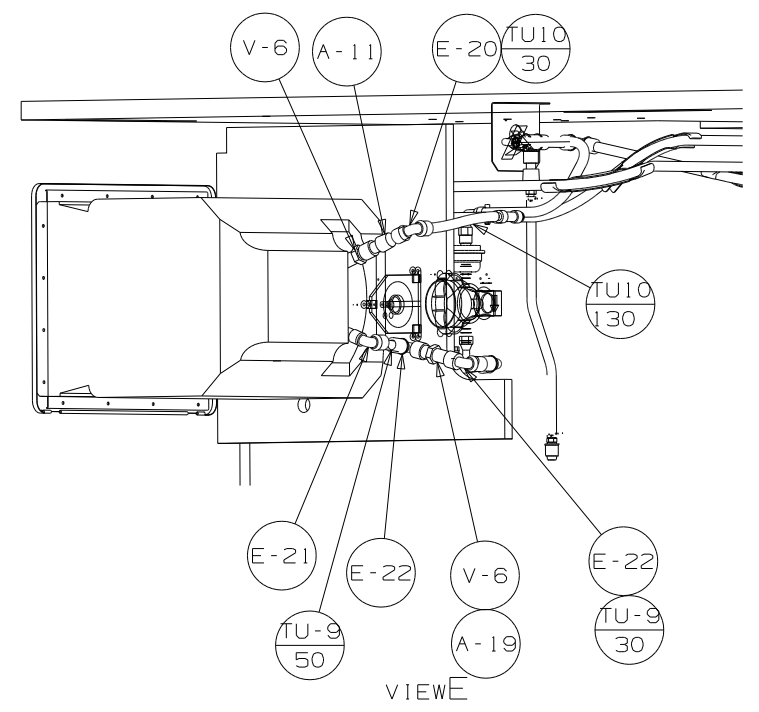
TO TOILET

VIEW A

FIRST USED	02 F34D
TITLE	DO NOT SCALE DRAWING
SHEET 2	PART NO 139895



FIRST USED	02 F34D
TITLE	DO NOT SCALE DRAWING
TITLE	WATER SYSTEM INSTL
SHEET 3	PART NO 139895



FIRST USED	02 F34D
TITLE	DO NOT SCALE DRAWING
TITLE	WATER SYSTEM INSTL
SHEET 4	PART NO 139895