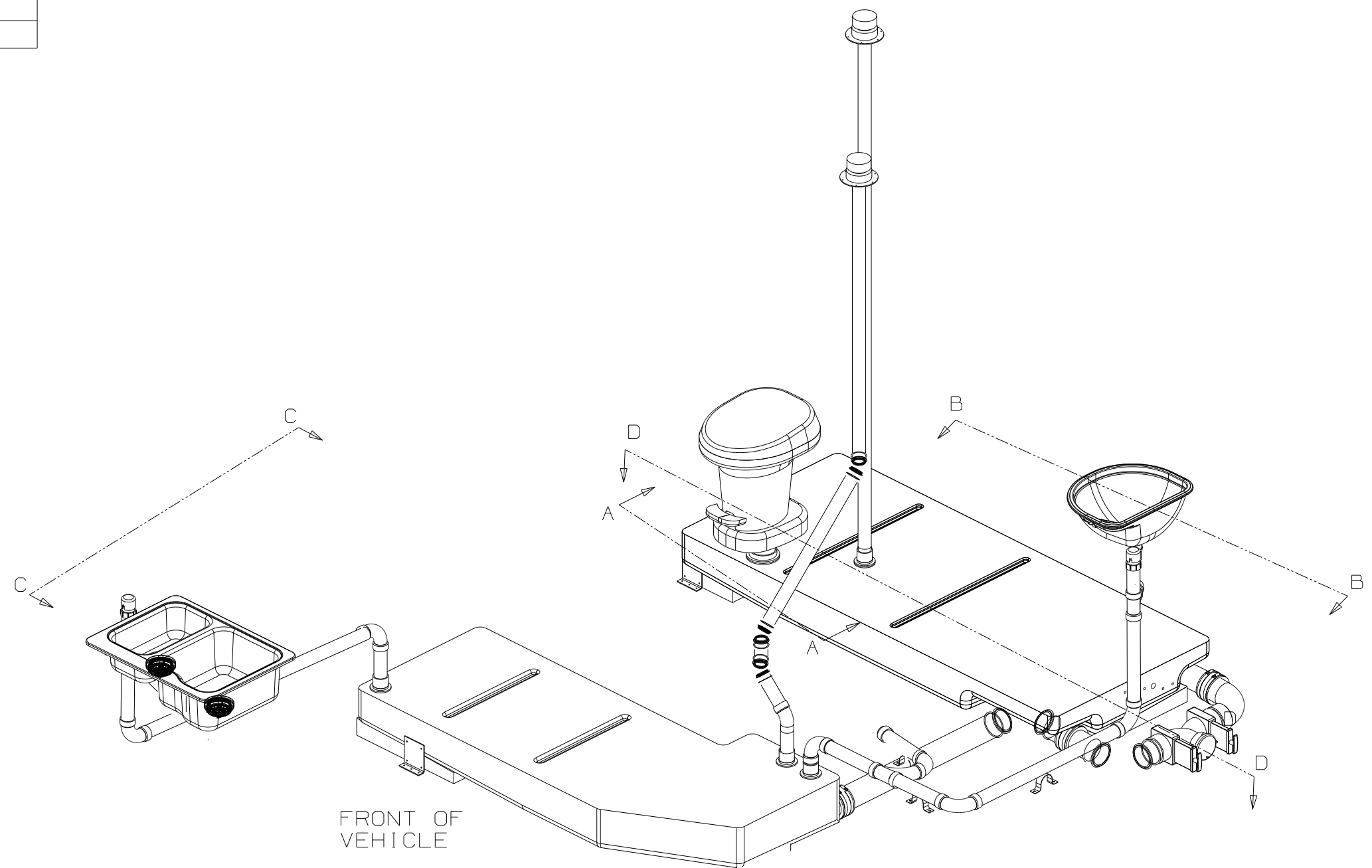


DWG NO	----
138431-01	(WIN)
138431-02	(ITA)

RELEASE	REV DATE	DWG NO	138431
REV ZONE	REVISION RECORD	DATE	DFTR-ORIG



FRONT OF VEHICLE

- (WIN) WINNEBAGO ONLY
- (ITA) ITASCA ONLY
- (265) CODES/STANDARDS-CSA/CMVSS
- (IB1) CODES/STANDARDS-USA

- NOTES:
9. SECURE TO FLOOR WITH BRACKET 136878-01-CHT, CLAMP 62401-02-000, AND SCREW G67-10-12B.
  8. TRIM TO FIT.
  7. VENT PIPE MUST PROJECT 51 MIN AND 64 MAX ABOVE ROOF FOR PROPER FIT AND FUNCTION.
  6. ROF CANADIAN UNITS EACH HOLDING TANK SHALL HAVE A CSA APPROVAL STAMPED NEAR THE IAMPO APPROVAL.
  5. SEAL AROUND SHOWER WITH SILICONE.
  4. ALL EXTERIOR OPENINGS AROUND PIPE TO BE SEALED WITH 100744-01-000.
  3. ALL PIPE AND FITTINGS TO BE ASSEMBLED WITH SOLVENT 4020-01-000.
  2. SLOPE OF TRAP ARM MUST BE 6 PER 305 mm.
  1. SLOPE OF HORIZONTAL PIPING TO BE 6 PER 305 mm.

(X-X)  
FOR DRAINAGE CALLOUTS SEE DWG NO. 116229-01-000

<b>WINNEBAGO</b>		COPYRIGHT 2002 WINNEBAGO INDUSTRIES, INC.	
DFTR	ORIG. DATE	ALL DIMENSIONS ARE IN MILLIMETERS	
CHKR		FIRST USED	
P.E.		02 F32V	
M.E.		UNSPECIFIED TOLERANCES ARE:	
DSNR		MATERIAL:	
		WHOLE DIM (X)	: 3
		ONE-PLACE (X.X)	:
		TWO-PLACE (X.XX)	:
		ANGLE	:
		THIRD ANGLE PROJECTION	
DO NOT SCALE DRAWING			
TITLE: DRAINAGE SYSTEM INSTL			
SHEET 1 OF 3	PART NO	138431	
REF:137001 1			

SINK-SMC, DBL L/S BASIN  
 136828-01-CHT (US/CAN)  
 STRAINER  
 92303-01-000 (2)  
 BRACKET  
 130481-07-CHT (6)  
 SCREW  
 142261-02-CHT (20)  
 WASHER-RUBBER  
 127440-02-CHT (2)  
 SEAL (A/R)

SINK  
 136639-01-CHT  
 SCREW  
 G67-08-10U (6)  
 SEAL (A/R)  
 GASKET  
 106116-02-CHT  
 TAILPIECE  
 106116-01-CHT

SHOWER INSTL - ENCLOSURE  
 132496-01-000  
 STRAINER  
 66440-01-000  
 RUBBER WASHER  
 127440-02-CHT  
 TAIL PIECE  
 11069-02-000  
 NUT  
 130403-01-000

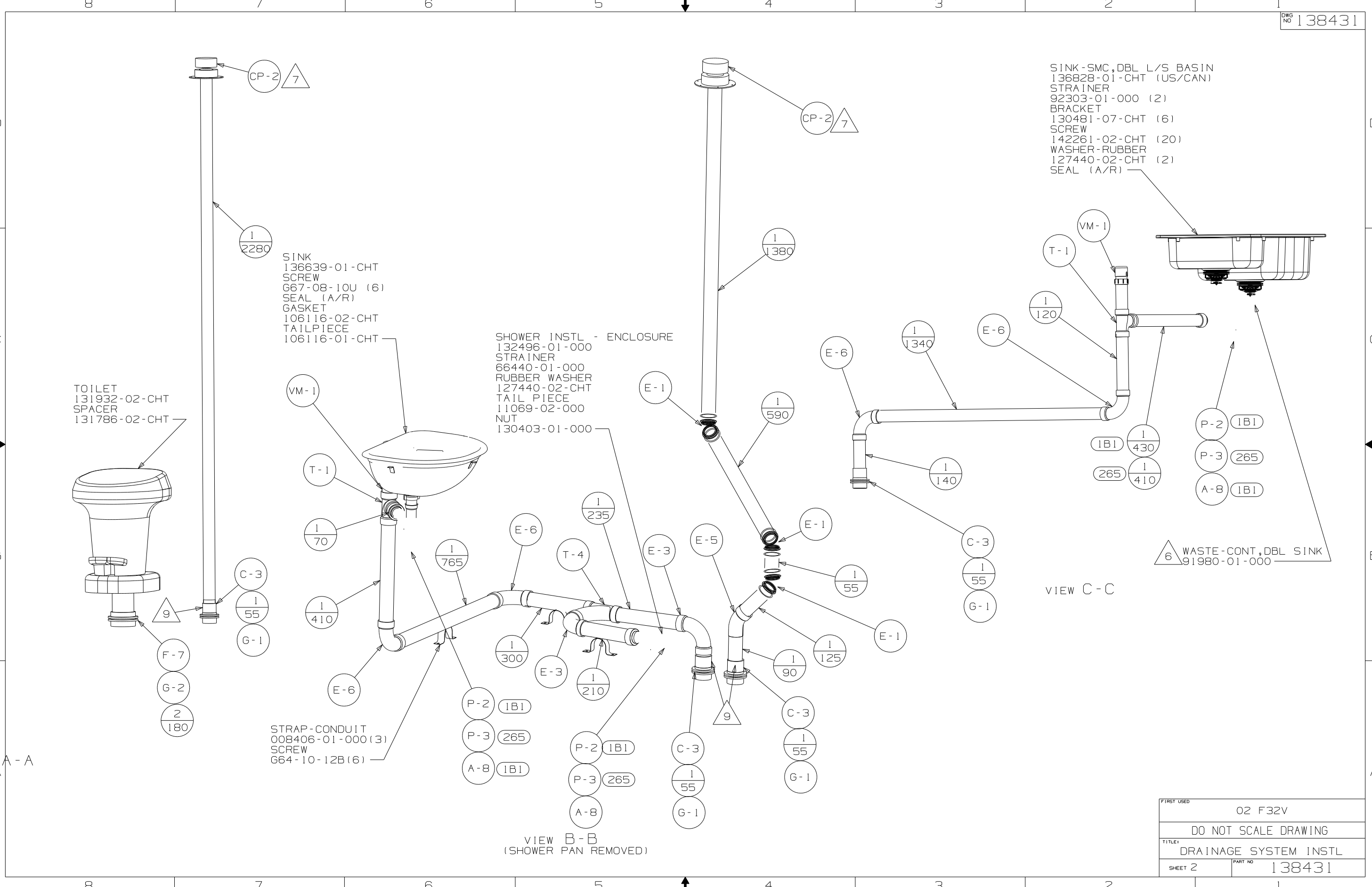
TOILET  
 131932-02-CHT  
 SPACER  
 131786-02-CHT

WASTE-CONT, DBL SINK  
 91980-01-000

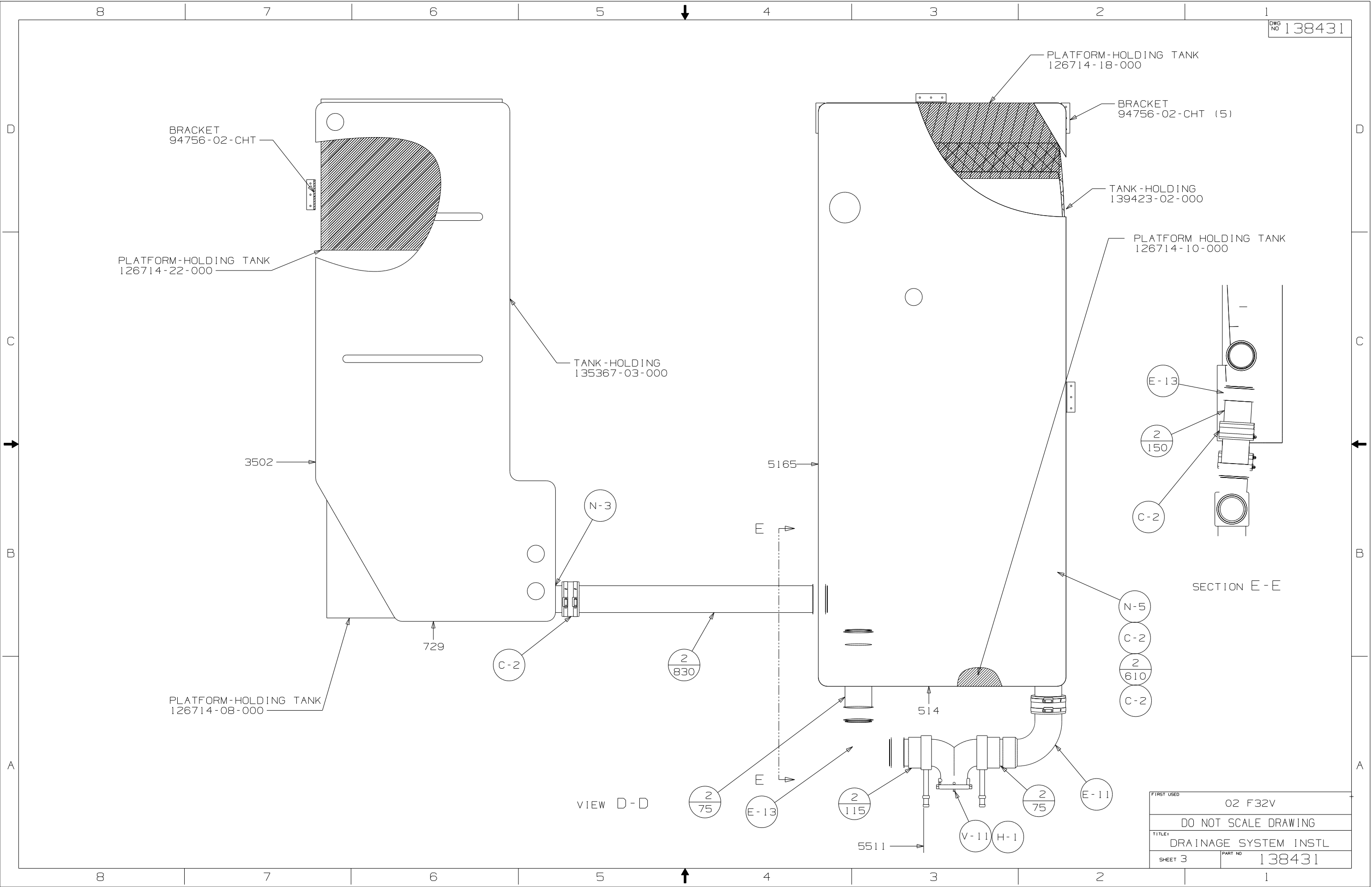
STRAP-CONDUIT  
 008406-01-000 (3)  
 SCREW  
 G64-10-12B (6)

VIEW B-B  
 (SHOWER PAN REMOVED)

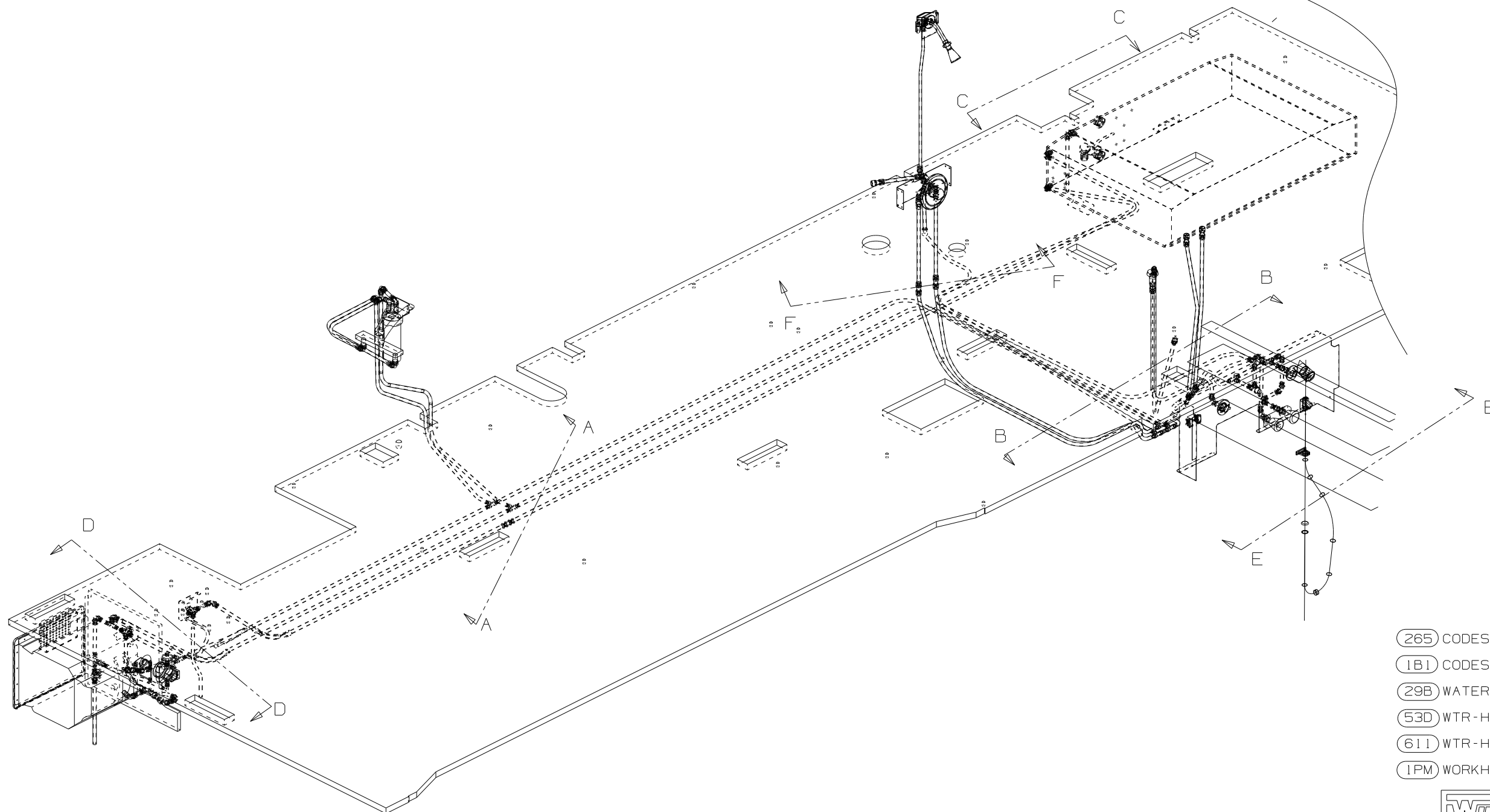
VIEW C-C



FIRST USED	02 F32V
TITLE	DO NOT SCALE DRAWING
TITLE	DRAINAGE SYSTEM INSTL
SHEET 2	PART NO 138431



FIRST USED	02 F32V
DO NOT SCALE DRAWING	
TITLE	DRAINAGE SYSTEM INSTL
SHEET 3	PART NO 138431

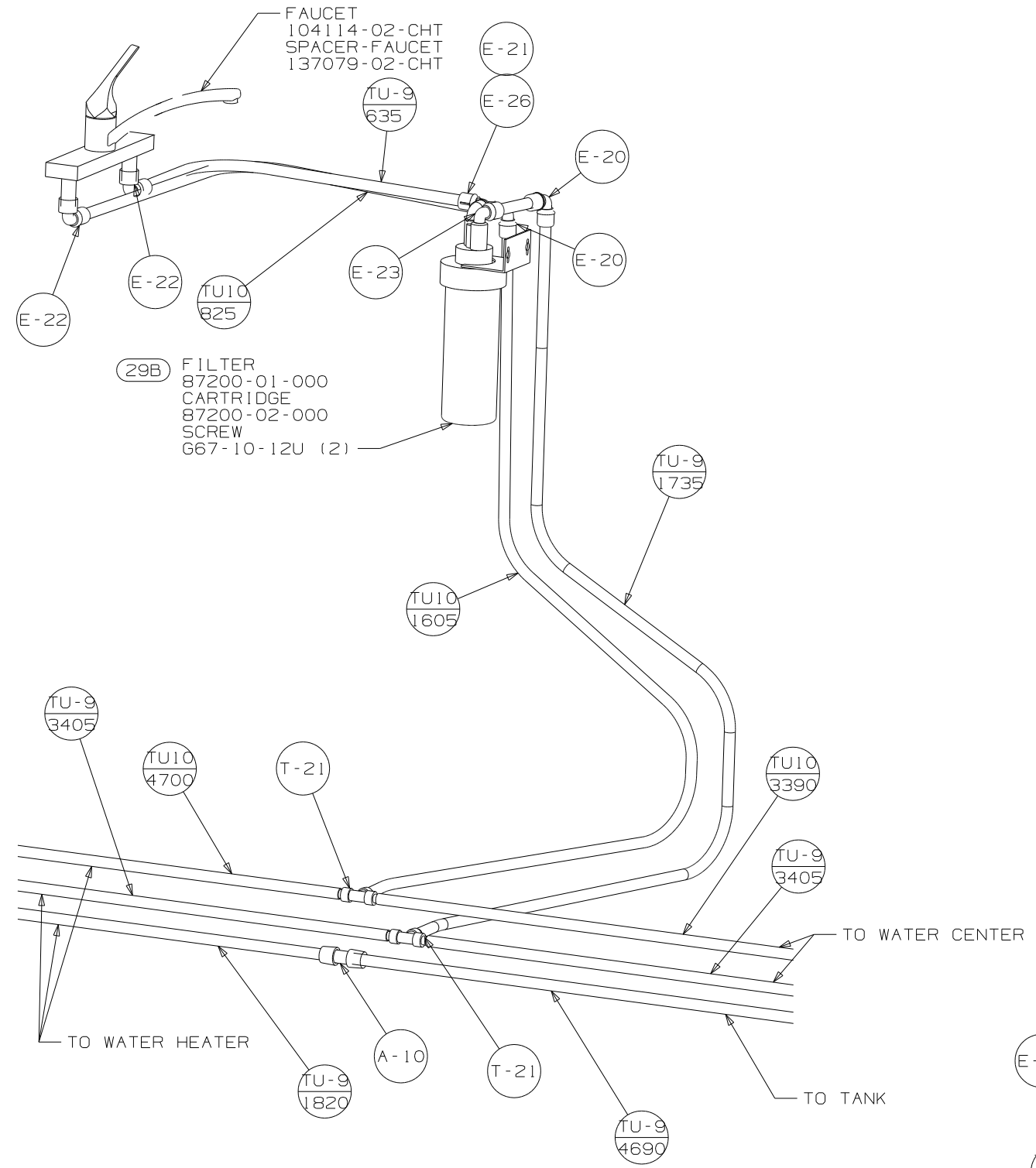


- (265) CODES/STANDARDS-CSA/CMVSS
- (1B1) CODES/STANDARDS USA
- (29B) WATER PURIFIER
- (53D) WTR-HTR-6/ELE/LP/MA
- (611) WTR-HTR-AUX AUTO MA
- (1PM) WORKHORSE-18,000# GVWR

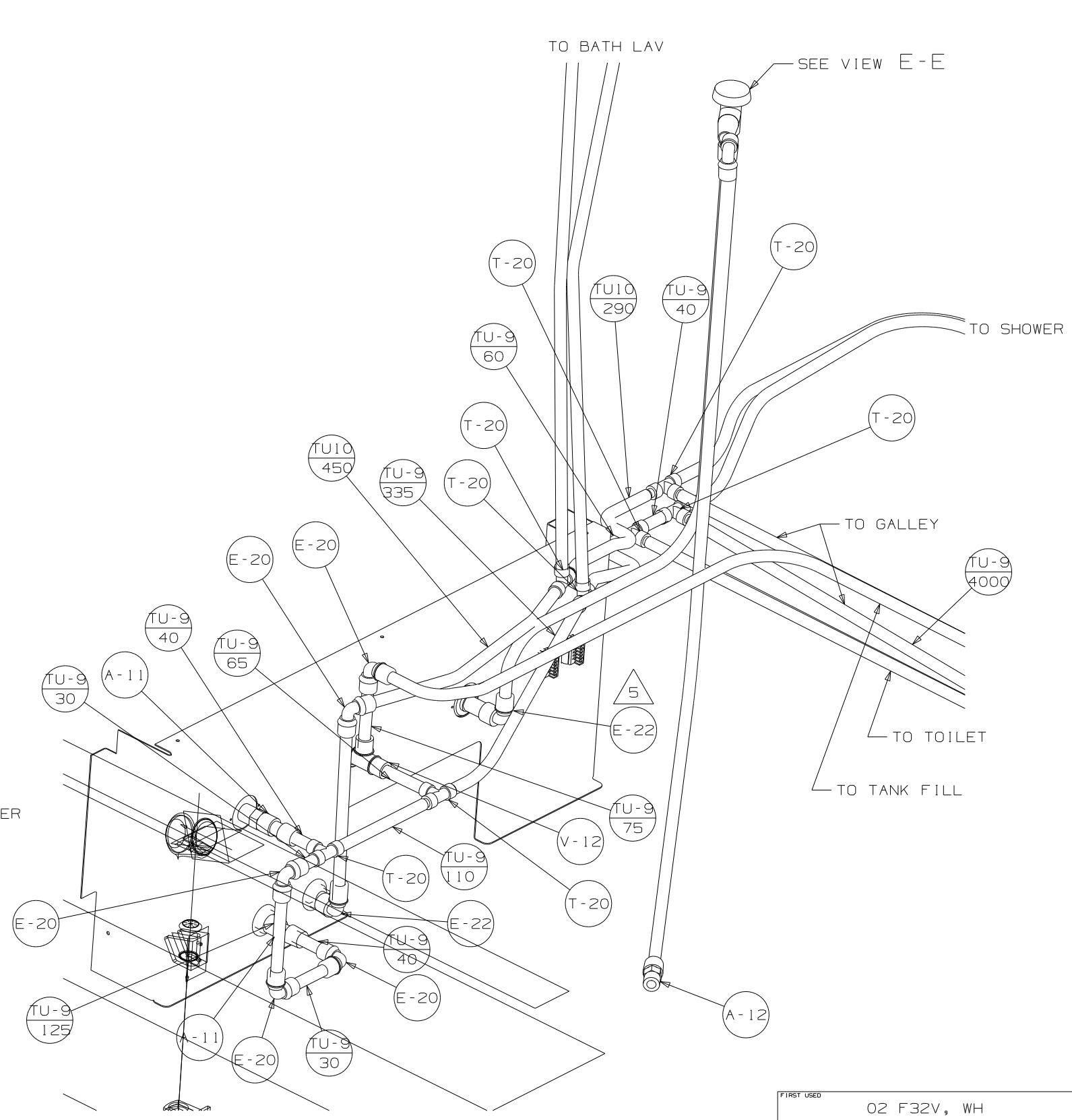
- NOTES:
7. ADD TEFLON TAPE 10405-03-000.
  6. ADD TEFLON TAPE 10405-01-000.
  5. ADD TEFLON TAPE 10405-02-000.
  4. FLUSHING SYSTEM REQUIRES 125697-06-000 INSTRUCTION SHEET.
  3. ALL TUBING TO BE SECURED AT 1200 INTERVALS MAXIMUM WITH CLAMP 10495-01-000 OR CLIP 9151-01-000 AND SCREW 667-10-12B.
  2. TUBING TO BE INSTALLED WITH SUFFICIENT SLOPE TO PROVIDE DRAINAGE TO NEAREST VALVE.
  1. PLASTIC FITTINGS TO BE SEALED WITH SEALANT 84456-01-000.

<b>WINNEBAGO</b>		COPYRIGHT 2002 WINNEBAGO INDUSTRIES, INC.	
DFTR	ORIG. DATE	ALL DIMENSIONS ARE IN MILLIMETERS	
CHKR		FIRST USED	
P.E.		02 F32V, WH	
M.E.		UNSPECIFIED TOLERANCES ARE:	
DSNR		MATERIAL:	
		WHOLE DIM (X)	: 7
		ONE-PLACE (X.X)	:
		TWO-PLACE (X.XX)	:
		ANGLE	:
THIRD ANGLE PROJECTION		DO NOT SCALE DRAWING	
TITLE: WATER SYSTEM INSTL			
SHEET 1 OF 4		PART NO 140084	
REF: 138430 1			

(X-X)  
FOR  
WATER  
CALLOUTS  
SEE DWG NO  
116230-01-000

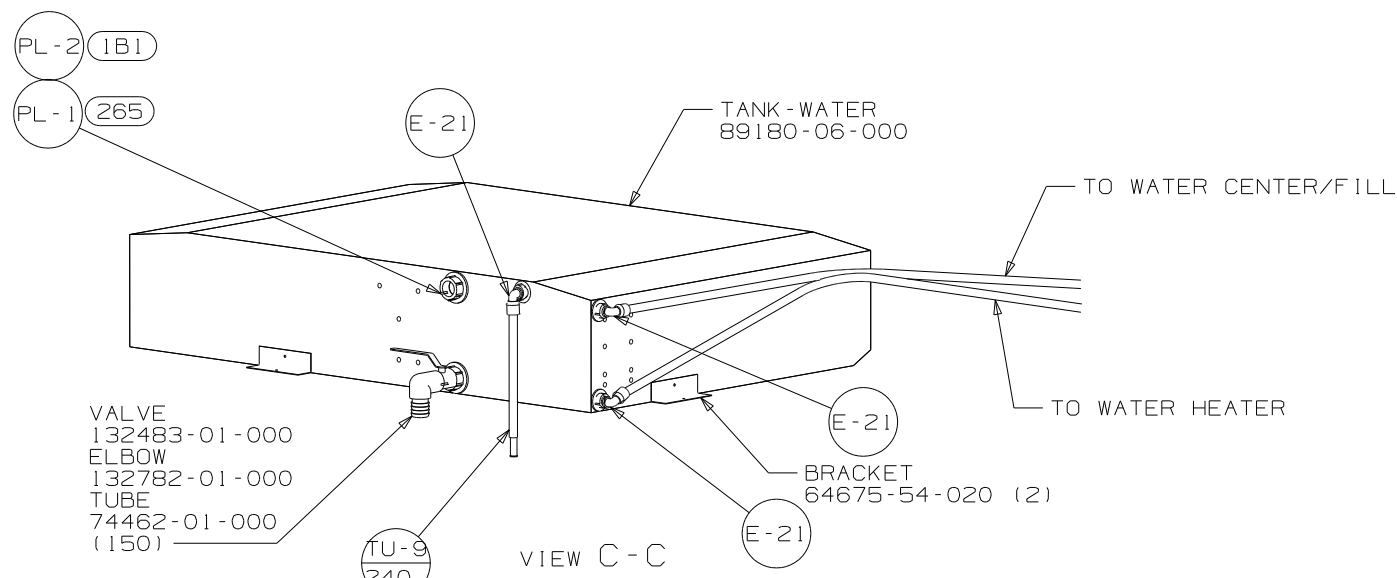


VIEW A-A (29B)



VIEW B-B

FIRST USED	02 F32V, WH
TITLE	DO NOT SCALE DRAWING
SHEET 2	PART NO 140084



VIEW C-C

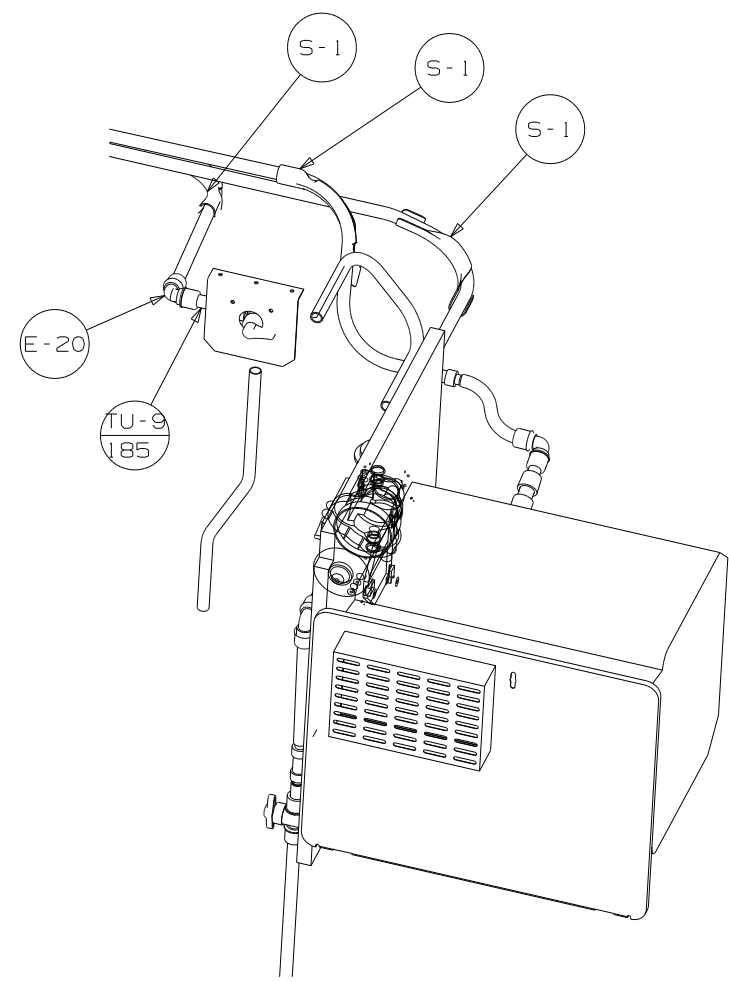
VALVE  
132483-01-000  
ELBOW  
132782-01-000  
TUBE  
74462-01-000  
(150)

BRACKET  
64675-54-020 (2)

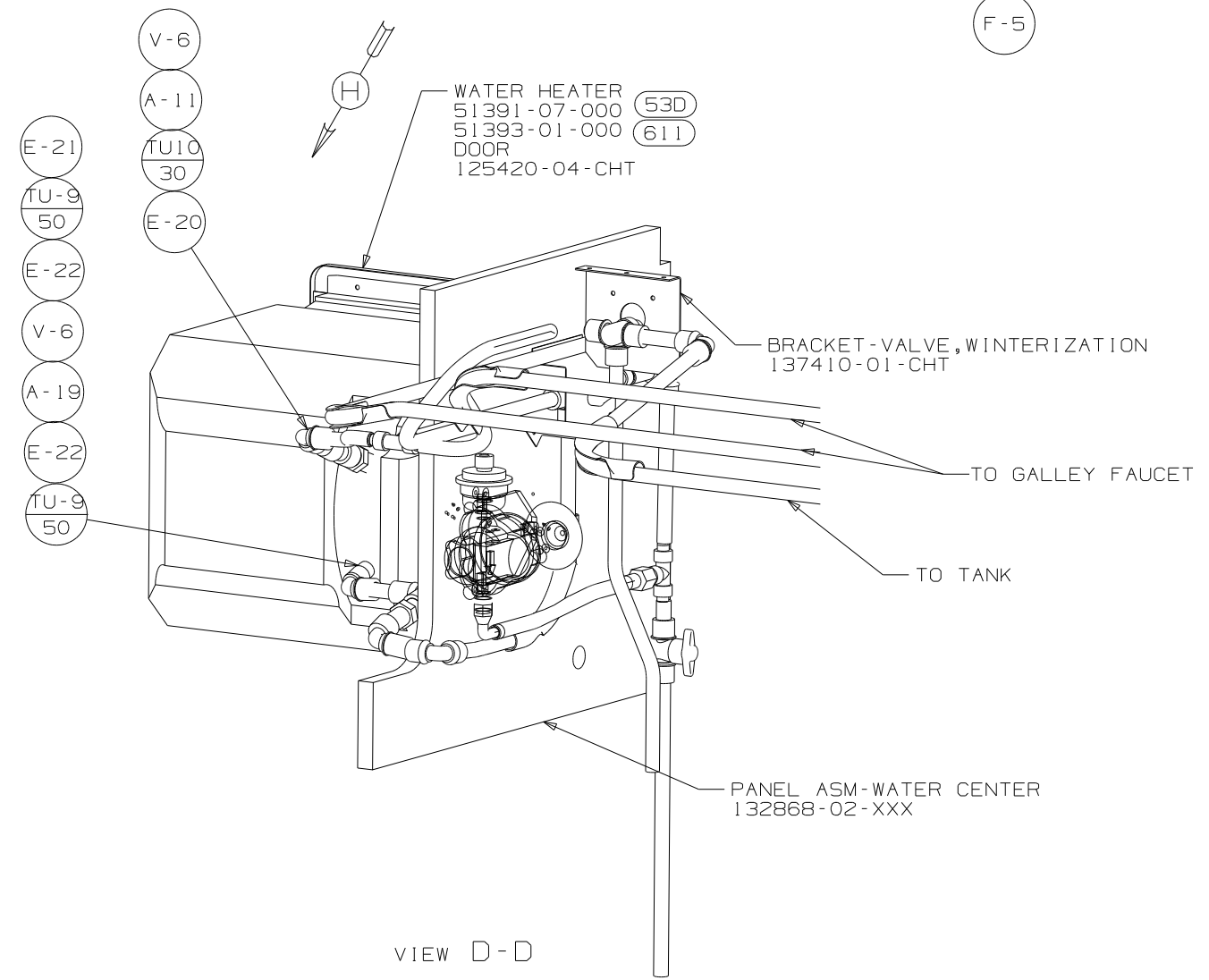
WATER HEATER  
51391-07-000 (53D)  
51393-01-000 (611)  
DOOR  
125420-04-CHT

BRACKET-VALVE, WINTERIZATION  
137410-01-CHT

PANEL ASM-WATER CENTER  
132868-02-XXX

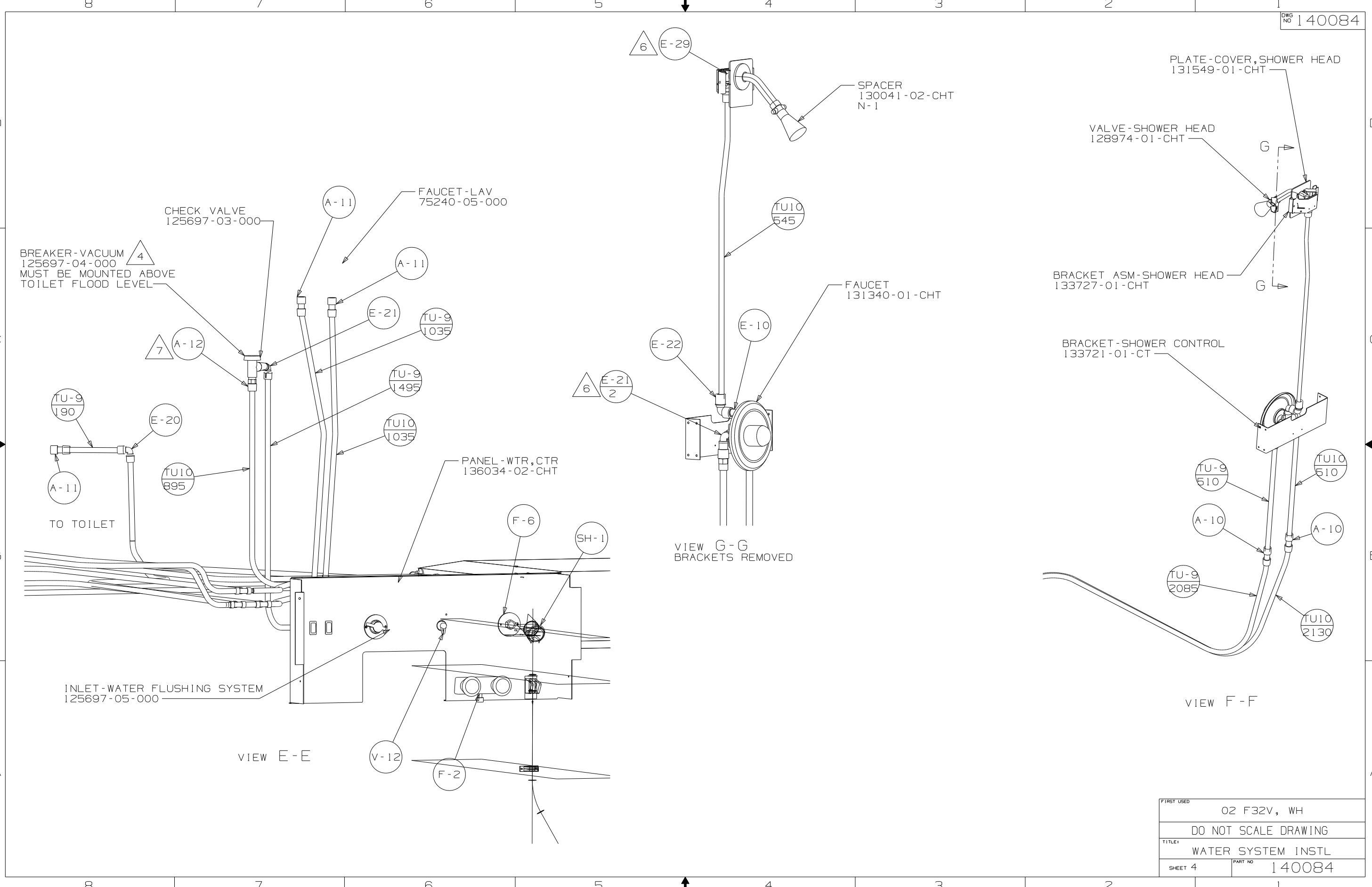


VIEW H



VIEW D-D

FIRST USED	02 F32V, WH	
TITLE	DO NOT SCALE DRAWING	
SHEET 3	PART NO	140084



FIRST USED	02 F32V, WH
TITLE	DO NOT SCALE DRAWING
SHEET 4	PART NO 140084