



**DANGER**

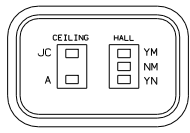
**Danger of electrical shock, burns or death.** Always remove all power sources before attempting any repair, service or diagnostic work. Power can be present from shore power, generator, inverter or battery. All power sources must be disabled and secured before performing any service.



**CAUTION**

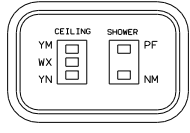
If you lack the skills, tools or equipment to perform diagnostic or repair work leave such work to an authorized Winnebago Industries dealer or other qualified shop.





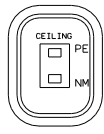
SWITCH  
135740-01-CHT  
135740-02-CHT  
BASE  
135741-02-CHT  
BEZEL  
135742-16-CHT  
SCREW  
G11-08-08U (4)

DETAIL BA



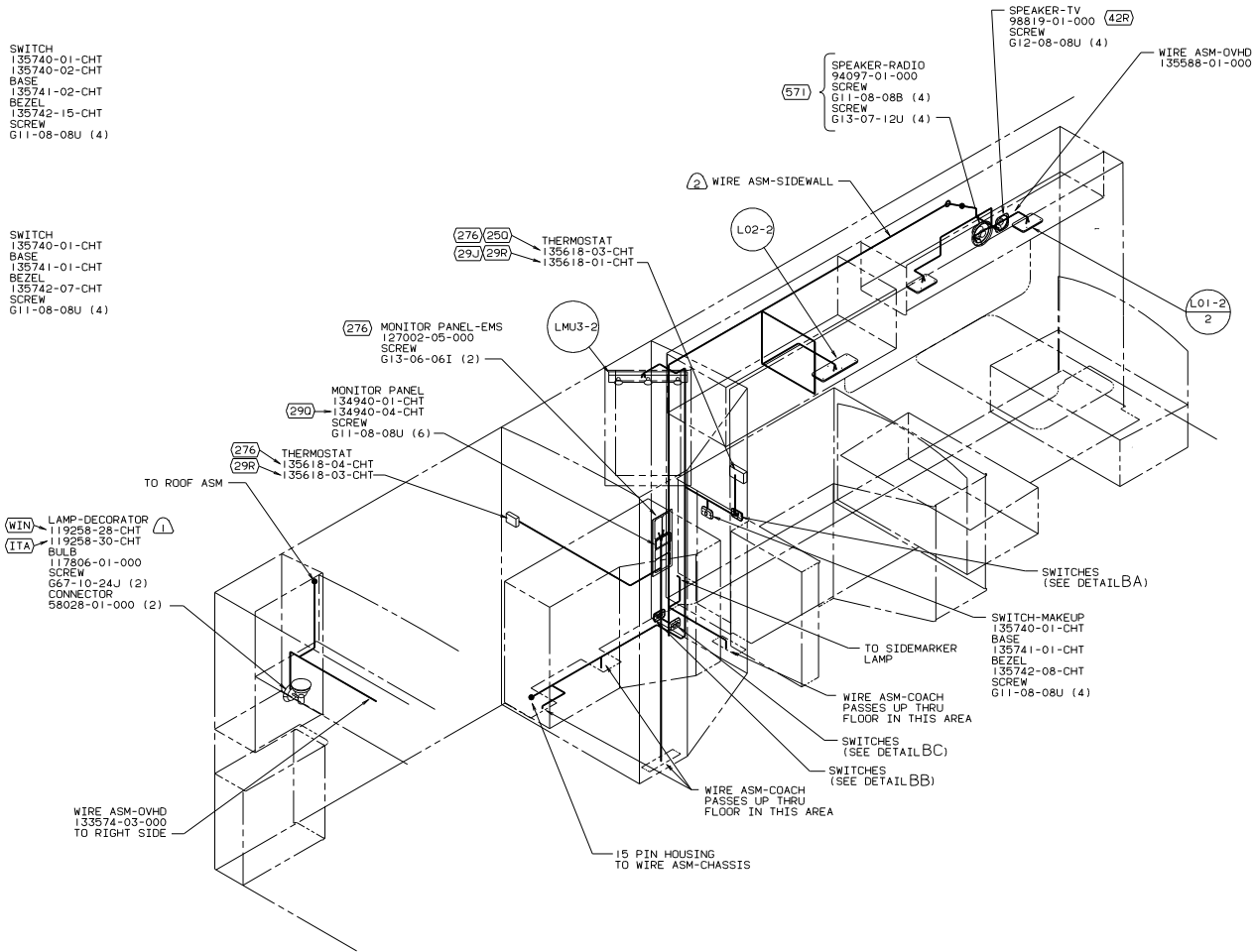
SWITCH  
135740-01-CHT  
135740-02-CHT  
BASE  
135741-02-CHT  
BEZEL  
135742-15-CHT  
SCREW  
G11-08-08U (4)

DETAIL BB



SWITCH  
135740-01-CHT  
135741-01-CHT  
BEZEL  
135742-07-CHT  
SCREW  
G11-08-08U (4)

DETAIL BC



(WIN) LAMP-DECORATOR  
119258-28-CHT  
119258-30-CHT  
BULB  
117806-01-000  
SCREW  
G67-10-24J (2)  
CONNECTOR  
58028-01-000 (2)

TO ROOF ASM

(276) (250) THERMOSTAT  
(29J) (29R) 135618-03-CHT  
135618-01-CHT

(290) MONITOR PANEL-EMS  
127002-05-000  
SCREW  
G13-06-06I (2)

MONITOR PANEL  
134940-01-CHT  
134940-04-CHT  
SCREW  
G11-08-08U (6)

(276) THERMOSTAT  
(29R) 135618-04-CHT  
135618-03-CHT

SPEAKER-TV  
98819-01-000 (42R)  
SCREW  
G12-08-08U (4)

WIRE ASM-OVHD  
135568-01-000

(571) SPEAKER-RADIO  
94097-01-000  
SCREW  
G11-08-08B (4)  
SCREW  
G13-07-12U (4)

(2) WIRE ASM-SIDEWALL

L02-2

L01-2  
2

LMJ3-2

SWITCHES (SEE DETAIL BA)

SWITCH-MAKEUP  
135740-01-CHT  
BASE  
135741-01-CHT  
BEZEL  
135742-08-CHT  
SCREW  
G11-08-08U (4)

TO SIDEMARKER LAMP

WIRE ASM-COACH PASSES UP THRU FLOOR IN THIS AREA

SWITCHES (SEE DETAIL BC)

SWITCHES (SEE DETAIL BB)

WIRE ASM-COACH PASSES UP THRU FLOOR IN THIS AREA

15 PIN HOUSING TO WIRE ASM-CHASSIS

WIRE ASM-OVHD  
135574-03-000  
TO RIGHT SIDE

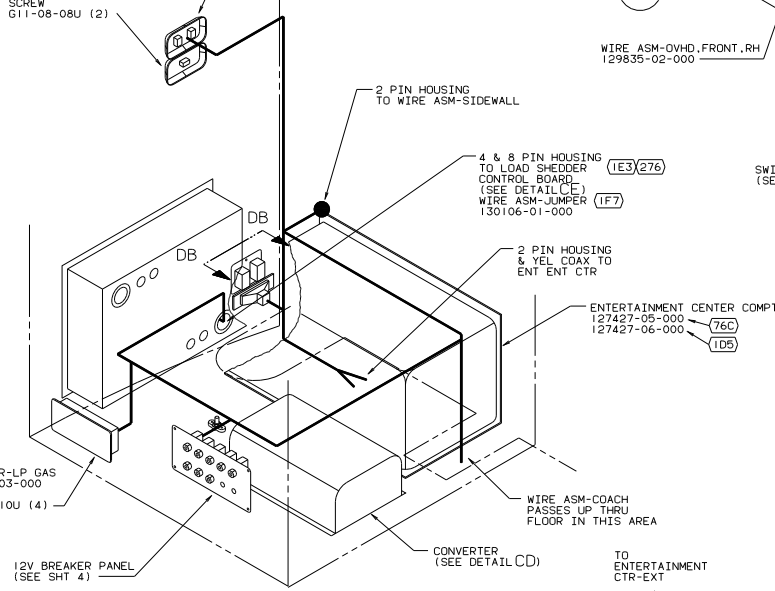
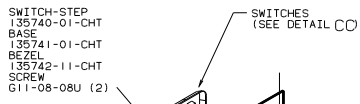
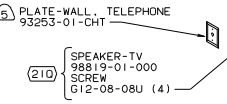
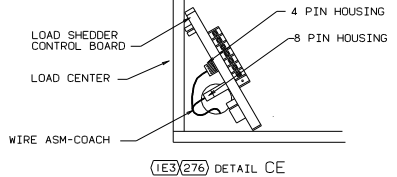
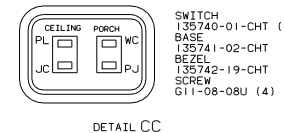
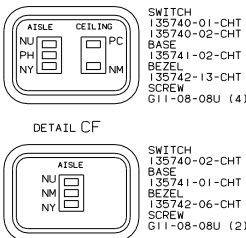
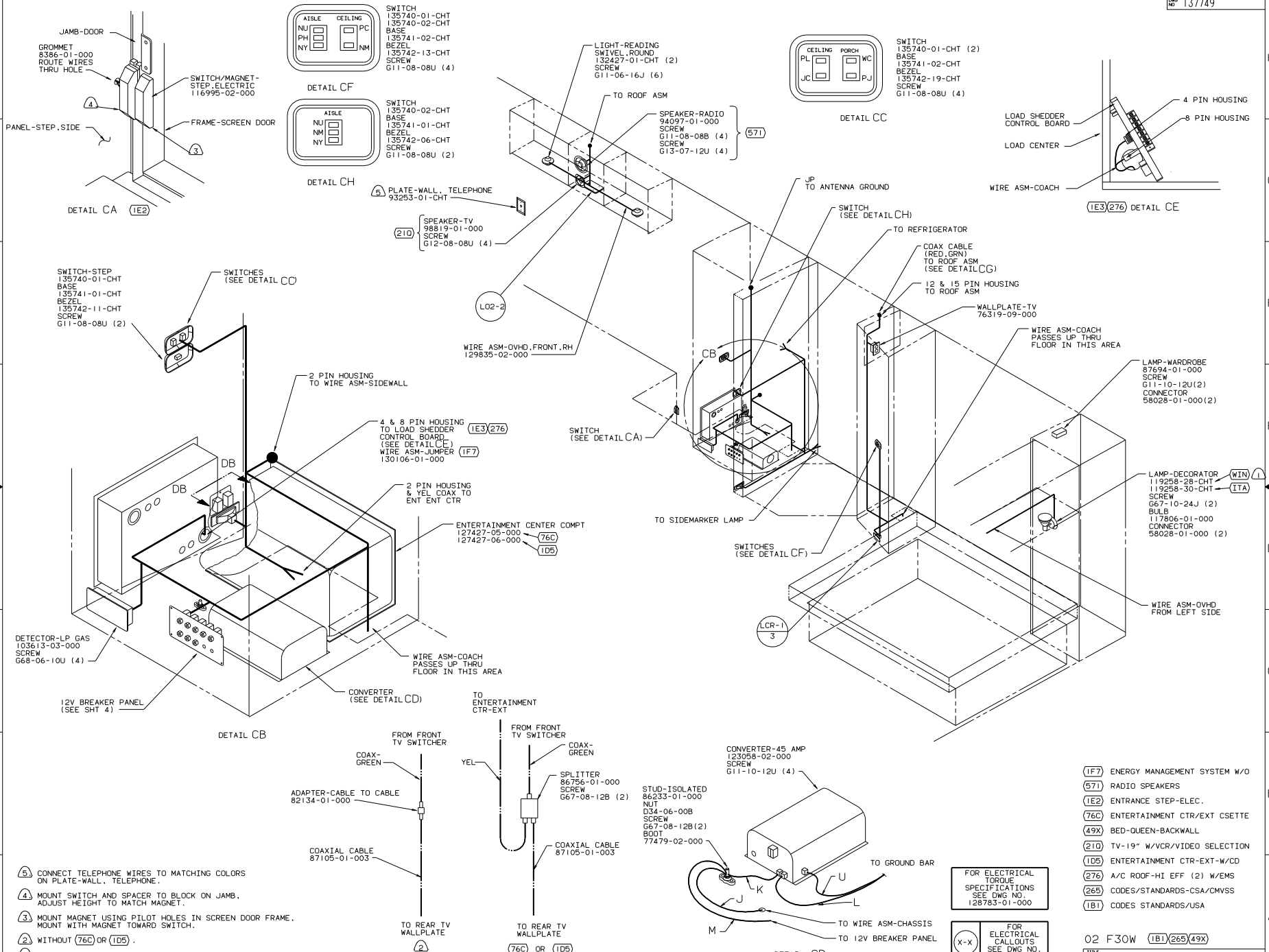
- (29R) HEAT PUMPS-2-HI EFF
- (29J) HEAT PUMP-ROOF AIR
- (276) A/C ROOF-HI EFF (2) W/EMS
- (250) A/C ROOF AIR (1) 14,800 BTU
- (42R) TV-25" COLOR
- (290) SOLAR PANEL-10 WATT
- (1E3) ENERGY MANAGEMENT SYSTEM
- (571) RADIO SPEAKERS
- (49X) BED-QUEEN - BACKWALL
- (09L) SLIDEOUT ROOM FRONT LEFT
- (WIN) WINNEBAGO ONLY
- (ITA) ITASCA ONLY
- (265) CODES/STANDARDS-CSA/CMVSS
- (1B1) CODES/STANDARDS USA

(2) WIRE IN SIDEWALL.  
(1) CENTERLINE OF MOUNTING BASE TO BE 1245 ABOVE FLOOR.

FOR ELECTRICAL TORQUE SPECIFICATIONS SEE DWG NO. 128783-01-000

(X-X) FOR ELECTRICAL CALLOUTS SEE DWG NO. 121339-01-000

02 F30W (1B1)(265)(09L)(49X)  
WIRING INSTL-BODY 12V(1L)  
DWG NO 137749  
PAGE 2 OF 6

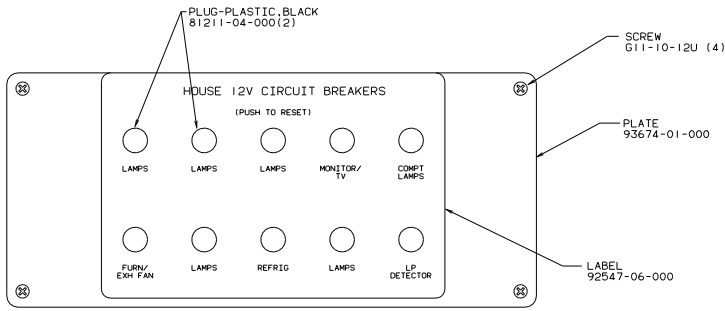


- (5)** CONNECT TELEPHONE WIRES TO MATCHING COLORS ON PLATE-WALL, TELEPHONE.
- (4)** MOUNT SWITCH AND SPACER TO BLOCK ON JAMB. ADJUST HEIGHT TO MATCH MAGNET.
- (3)** MOUNT MAGNET USING PILOT HOLES IN SCREEN DOOR FRAME. MOUNT WITH MAGNET TOWARD SWITCH.
- (2)** WITHOUT (76C) OR (105).
- (1)** CENTERLINE OF MOUNTING BASE TO BE 1245 ABOVE FLOOR.

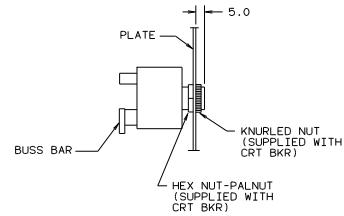
- (1F7)** ENERGY MANAGEMENT SYSTEM W/O
- (571)** RADIO SPEAKERS
- (1E2)** ENTRANCE STEP-ELEC.
- (76C)** ENTERTAINMENT CTR-EXT CSETTE
- (49X)** BED-QUEEN-BACKWALL
- (210)** TV-19" W/VCR/VIDEO SELECTION
- (105)** ENTERTAINMENT CTR-EXT-W/CD
- (276)** A/C ROOF-HI EFF (2) W/EMS
- (265)** CODES/STANDARDS-CSA/CMVSS
- (1B1)** CODES STANDARDS/USA

FOR ELECTRICAL TORQUE SPECIFICATIONS SEE DWG NO. 128783-01-000

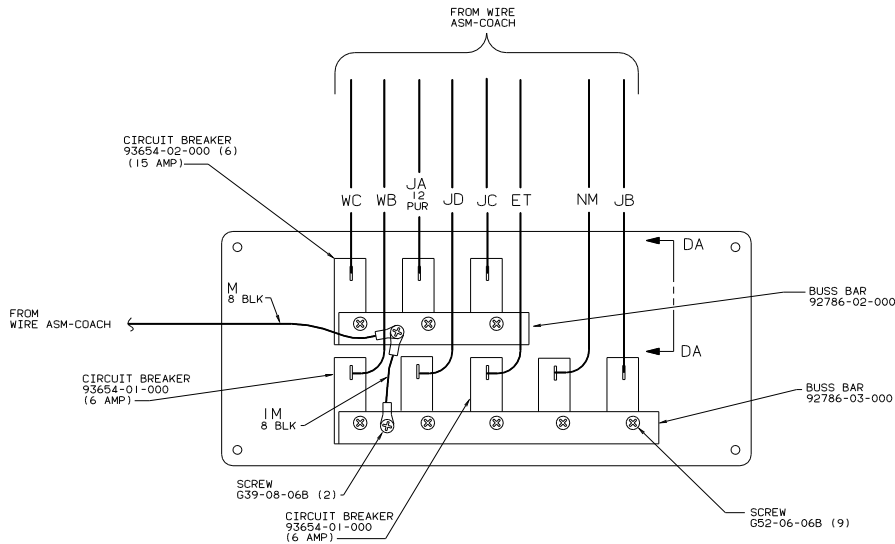
FOR ELECTRICAL CALLOUTS SEE DWG NO. 121339-01-000



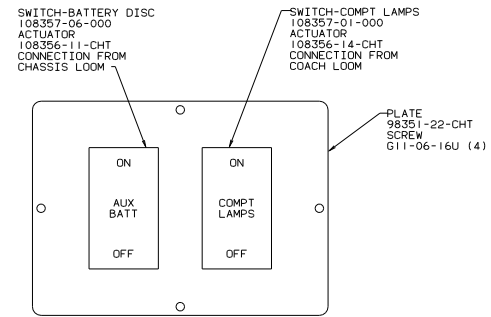
PNL-BRKR, 12V  
(FRONT VIEW)



VIEW DA-DA



PNL-BRKR, 12V  
(BACK VIEW)



VIEW DB-DB

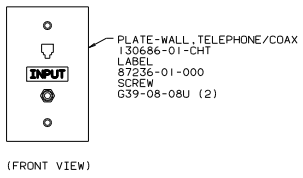
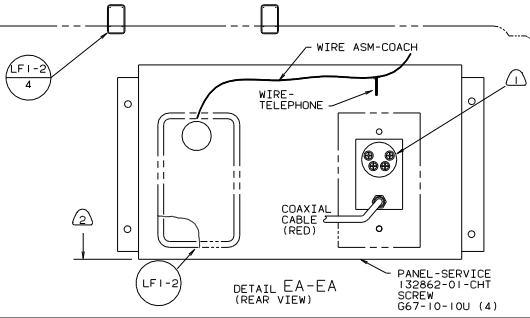
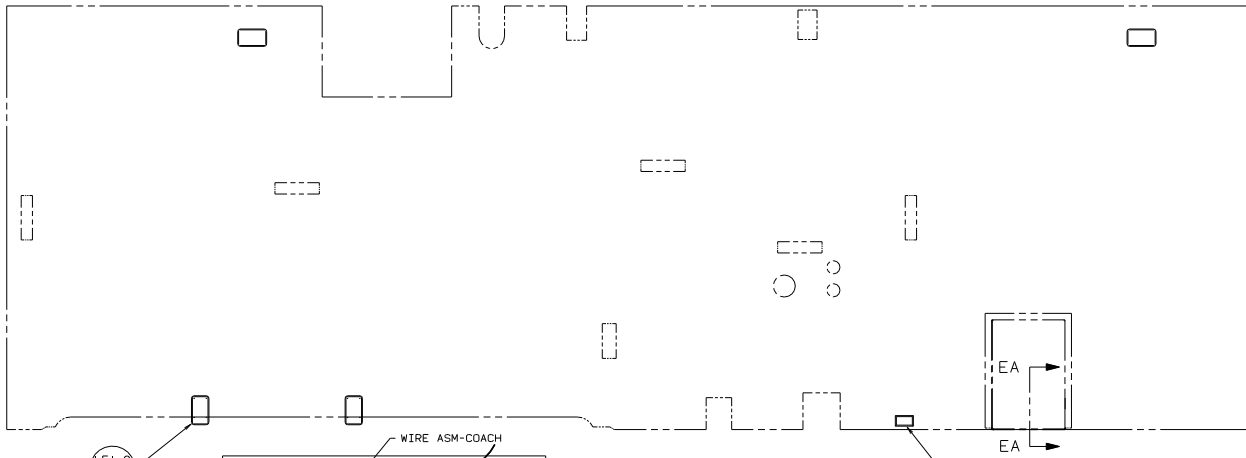
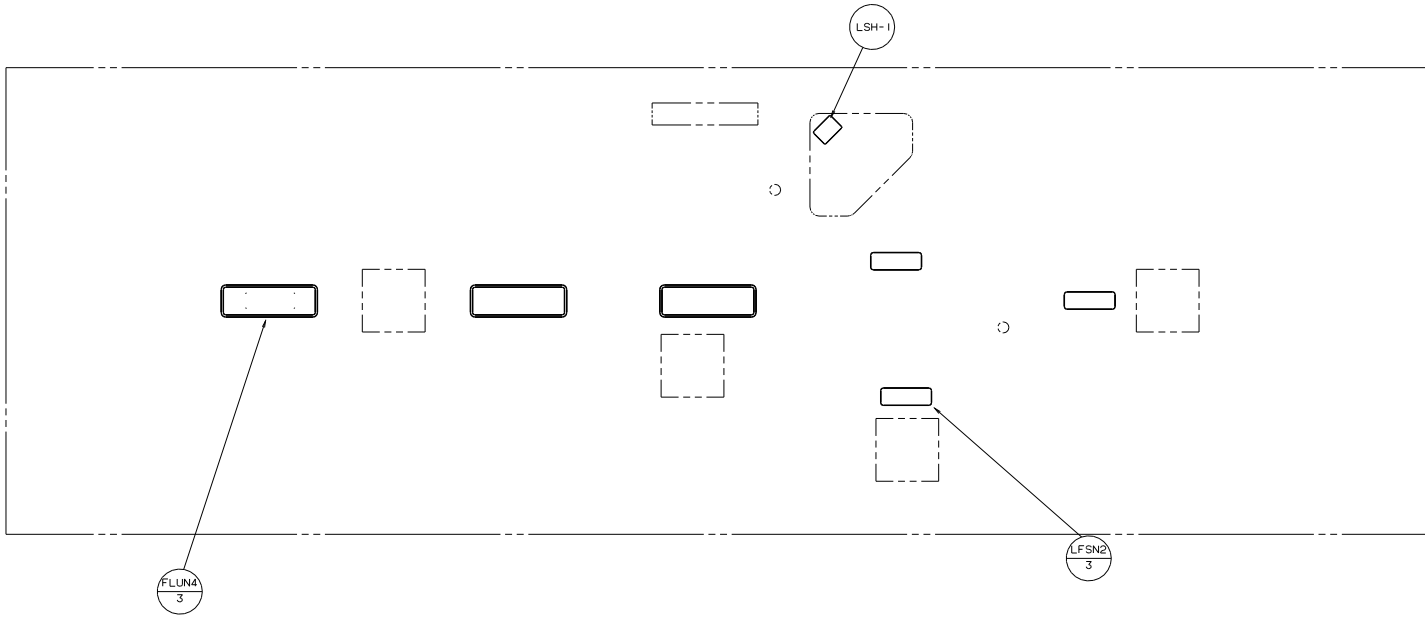
FOR ELECTRICAL  
TORQUE  
SPECIFICATIONS  
SEE DWG NO.  
128783-01-000

(265) CODES/STANDARDS-CSA/CMVSS

(181) CODES/STANDARDS USA

02 F30W (181)(265)

TITLE: WIRING INSTL-BODY, 12V(BP)  
DWG NO: 137749  
SHEET 4 OF 6 I.F. NO.



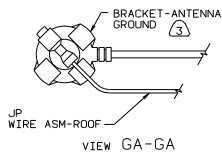
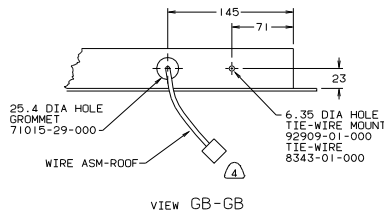
- NOTES:
- ② MOUNT SO THAT THE BOTTOM OF PANEL IS 200 FROM TOP OF COMPARTMENT.
  - ① CONNECT TELEPHONE WIRES TO MATCHING COLORS ON PLATE-WALL, TELEPHONE

FOR ELECTRICAL TORQUE SPECIFICATIONS SEE DWG NO. 128783-01-000

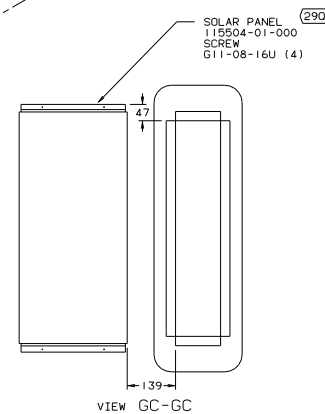
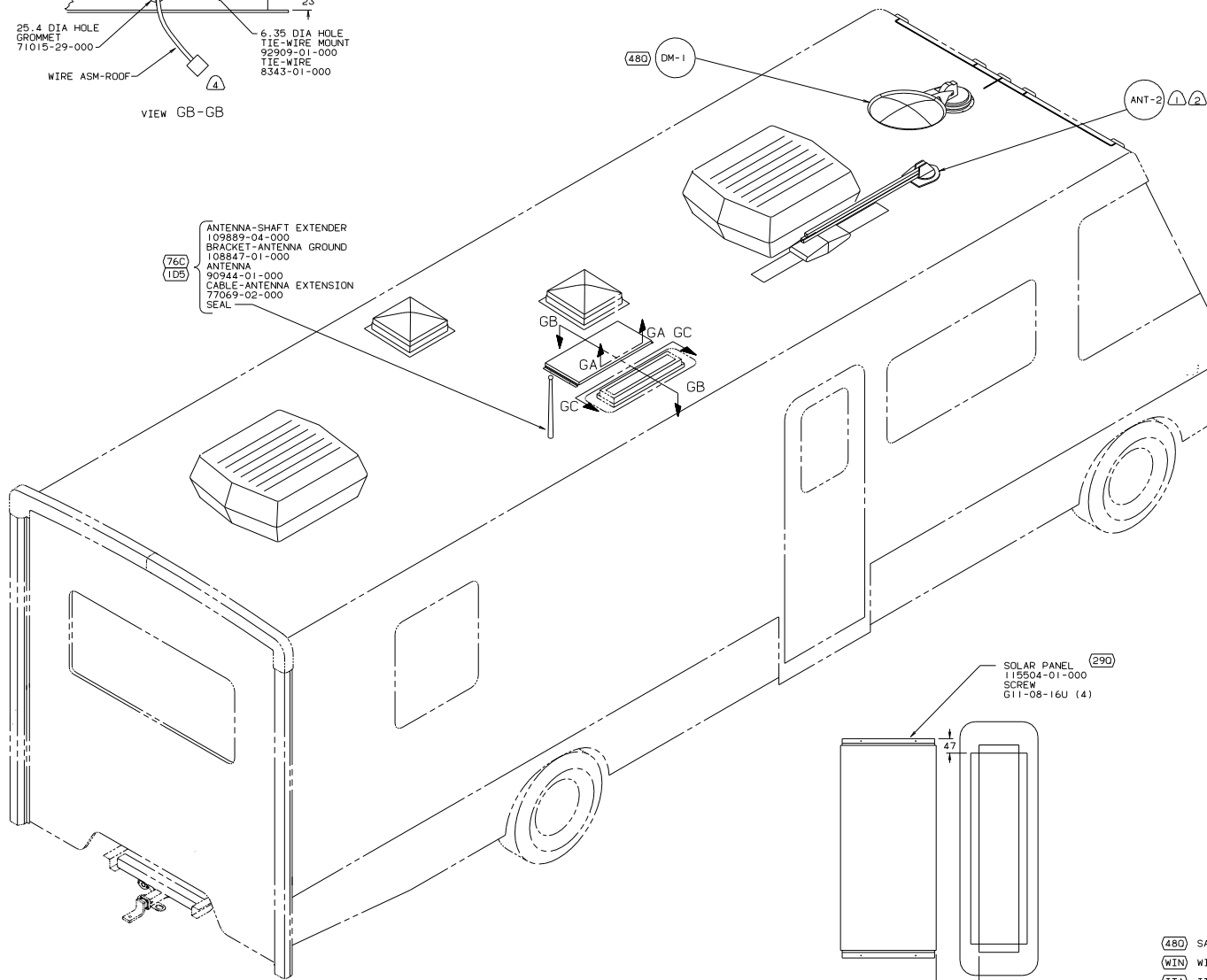
(X-X) FOR ELECTRICAL CALL-OUTS SEE DWG NO. 121339-01-000

(265) CODES/STANDARDS-CSA/CMVSS  
(181) CODES STANDARDS/USA

02 F30W (181) (265)  
WIRING INSTL-BODY, 12V(LAMPS)  
SHEET 5 OF 6



- (76C) ANTENNA-SHAFT EXTENDER 109889-04-000
- (1D5) BRACKET-ANTENNA GROUND 108847-01-000
- ANTENNA 90944-01-000
- CABLE-ANTENNA EXTENSION 77069-02-000
- SEAL



- NOTES:
- (4) FASTEN TO VENT.
  - (3) WRAP BRACKET LEGS AROUND ANTENNA BASE.
  - (2) ADD RUBBER BUMPER TO ANTENNA UNDER EACH END OF ANTENNA WHEN IN DOWN POSITION WHICH MAY COME IN CONTACT WITH ROOF.
  - (1) SEE DRAWING 76319-01-000 FOR INSTALLATION OF TV ANTENNA.

- (480) SATELLITE DISH & ELEV.SENSOR
- (WIN) WINNEBAGO ONLY
- (ITA) ITASCA ONLY
- (76C) ENTERTAINMENT CTR/EXT CSETTE
- (265) CODES/STANDARDS-CSA/CMVSS
- (1D5) ENTERTAINMENT CTR-EXT-W/CD
- (1B1) CODES STANDARDS/USA

(X-X) FOR ELECTRICAL CALLOUTS SEE DWG NO. 121339-01-000

FOR ELECTRICAL TORQUE SPECIFICATIONS SEE DWG NO. 129783-01-000

TITLE: WIRING INSTL-BODY, 12V(EXT)  
 DWG NO 137749  
 SHEET 6 OF 6