

(10) TRIM TO FIT.

9. SECURE PIPES TO CABINET USING WIRE TIE 108046-02-000 AND SCREW G67-10-12U (8).

(8) VENT PIPE MUST PROJECT 61 MIN TO 64 MAX ABOVE ROOF FOR PROPER FIT AND FUNCTION.

7. SEE DWG 61607-01-000 FOR INSTL GROMMET.

6. SEAL ALL AROUND SHOWER PAN.

5. FOR CANADIAN UNITS EACH HOLDING TANK WHALL HAVE A CSA APPROVAL STAMPED NEAR THE IAPMO APPROVAL.

4. ALL EXTERIOR OPENINGS AROUND PIPE TO BE SEALED WITH 110744-01-000.

3. ALL PIPE AND FITTINGS TO BE ASSEMBLED WITH SOLVENT 4020-01-000.

2. SLOPE OF TRAP MUST BE 6 PER 300 MINIMUM.

1. SLOPE OF HORIZONTAL PIPING TO BE 6 PER 300 MINIMUM.

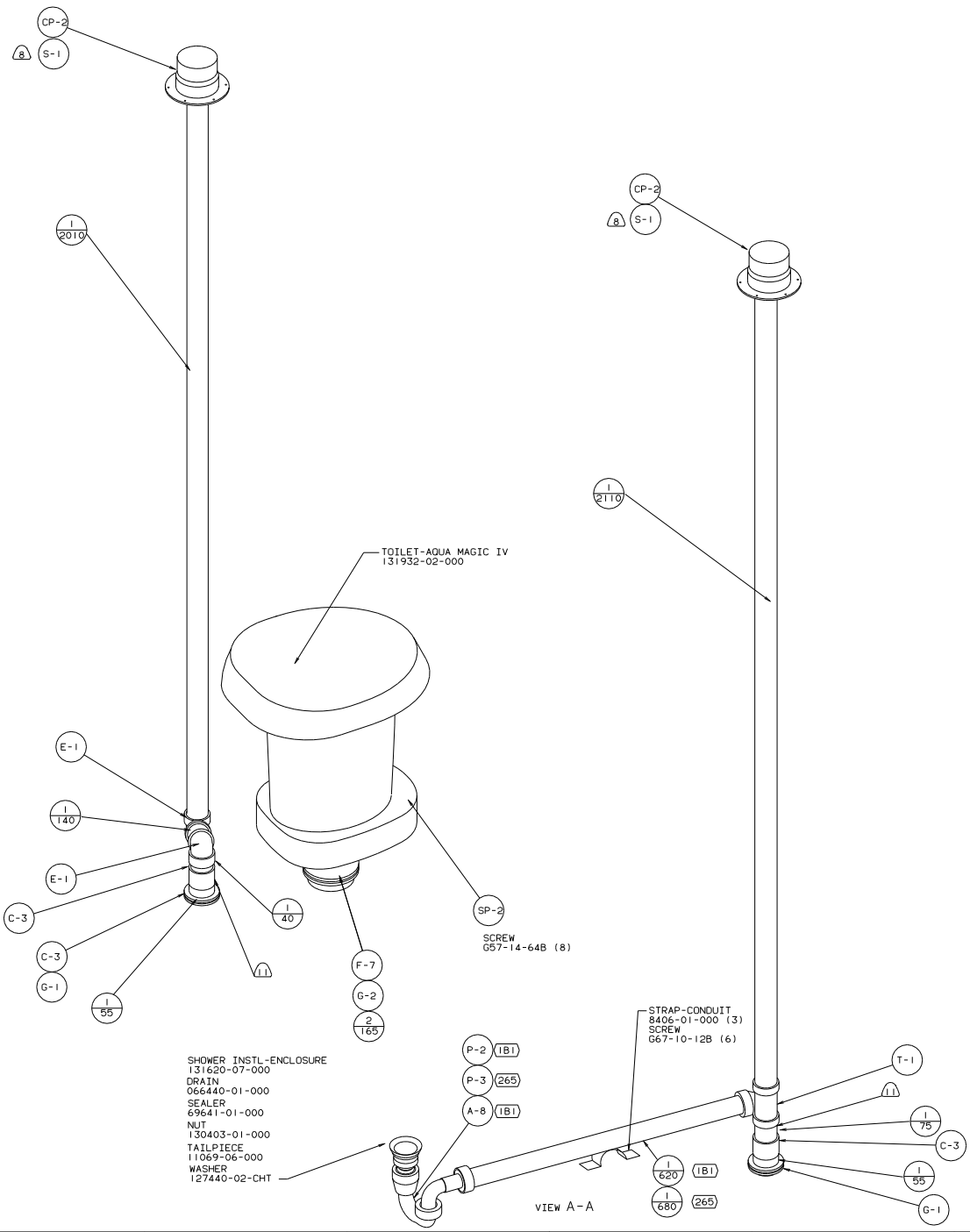
NOTES:

(1) SECURE VENT TO FLOOR WITH BRACKET 136878-01-CHT (11) CLAMP 62401-02-000 (4) SCREW G67-10-12B (11).

(265) CODES/STANDARDS-CSA/CMVSS  
(IB1) CODES/STANDARDS USA

COPYRIGHT 2002		WINNEAGO INDUSTRIES, INC.		02 F30W	
DPTN	DATE	UNSPECIFIED TOLERANCES ARE:	MATERIAL:		
CHOP	DATE	ANGLE DIM (X)	+		
F/E	DATE	ISO-PLATE (X.X)	+		
IN/E	DATE	ANGLE	+		
CDMP	DATE	TRIND ANGLE	+		
		PROJECTION	+		
LAND# F 30W	TITLE:		DRAINAGE SYSTEM INSTL		
DIA #	SCALE	NAME	DO NOT SCALE DIMENSIONS	SHEET	DWG NO
				1 OF 4	137831
ALL DIMENSIONS ARE IN MILLIMETERS			REF: 134956 P 1		

(X-X)  
FOR  
DRAINAGE  
CALLOUTS  
SEE DWG NO.  
116229-01-000

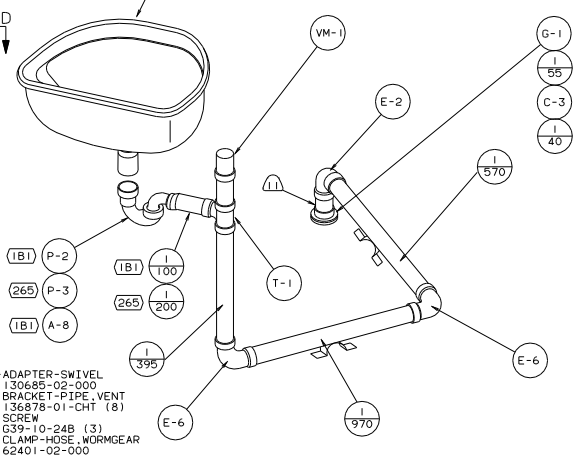
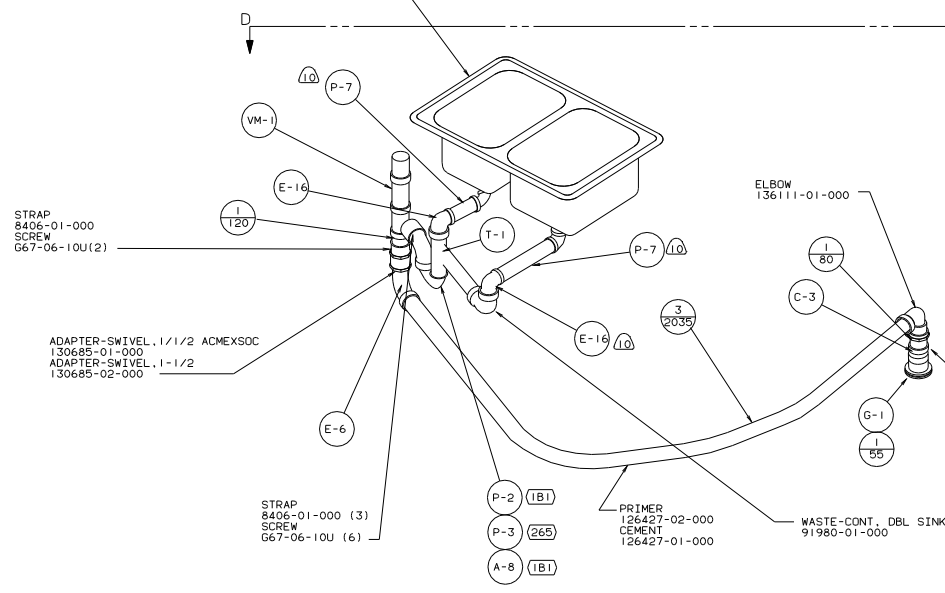


TITLE: DRAINAGE SYSTEM INSTL	
30-MET SCALE DRAWING	FILE NO: 137831
SHEET 2 OF 4	1/E

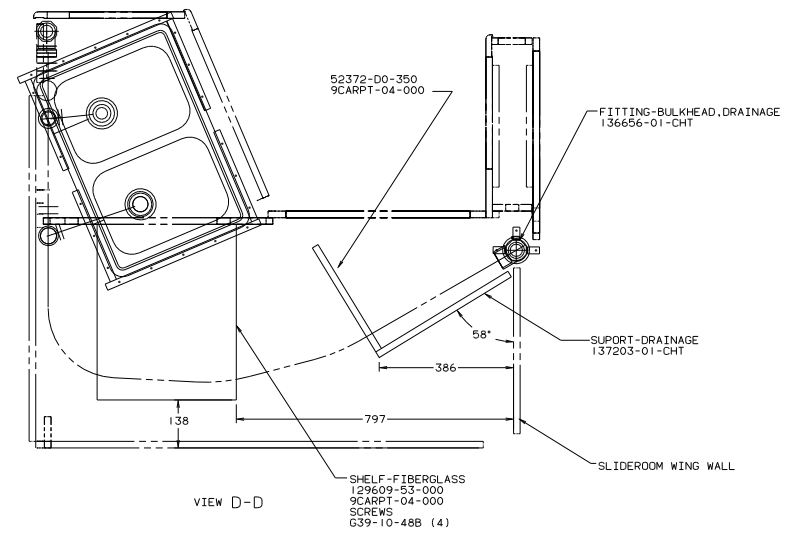
O2 F30W

- SINK-SMC, DBL L/S BASIN  
136828-02-CHT
- STRAINER  
92303-01-000 (2)
- SEAL  
91255-02-000 (A/R)
- WASHER-RUBBER  
1274402-CHT (2)
- BRACKET  
130451-07-CHT (6)
- SCREW  
G67-06-10U(20)

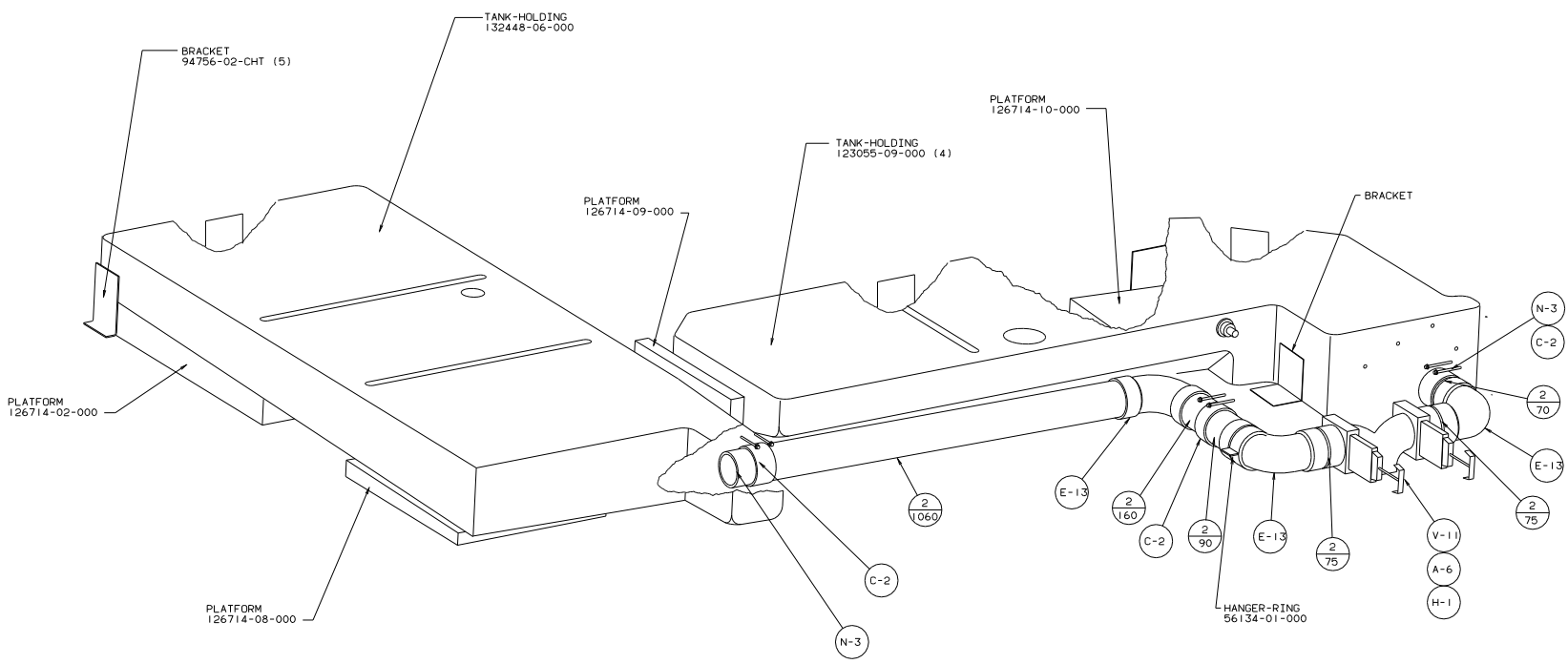
- SINK  
136639-01-CHT
- SCREW  
G67-08-10U (6)
- SEAL (A/R)
- TAILPIECE  
106116-01-CHT
- GASKET  
106116-02-CHT



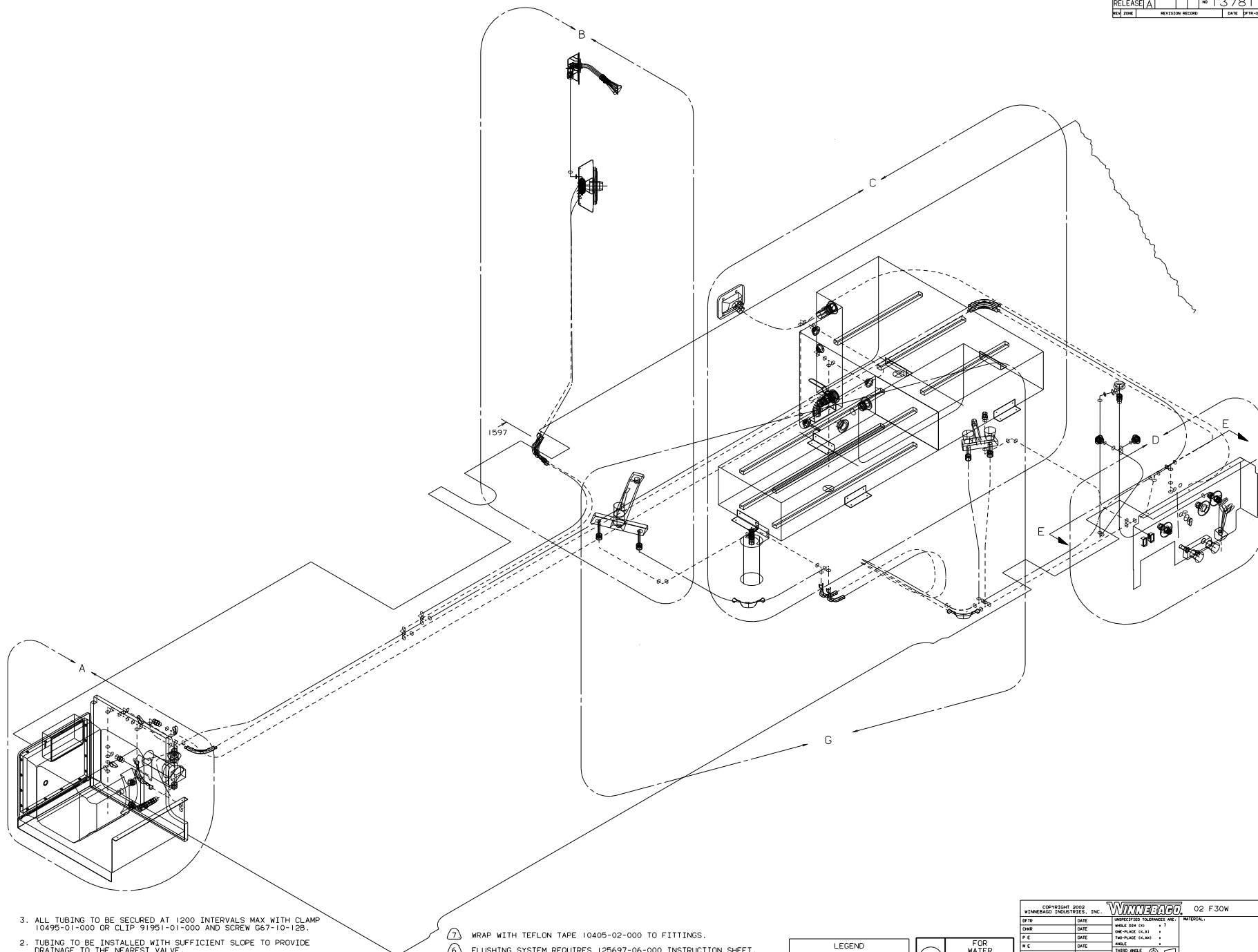
DETAIL B



VIEW D-D



VIEW C-C



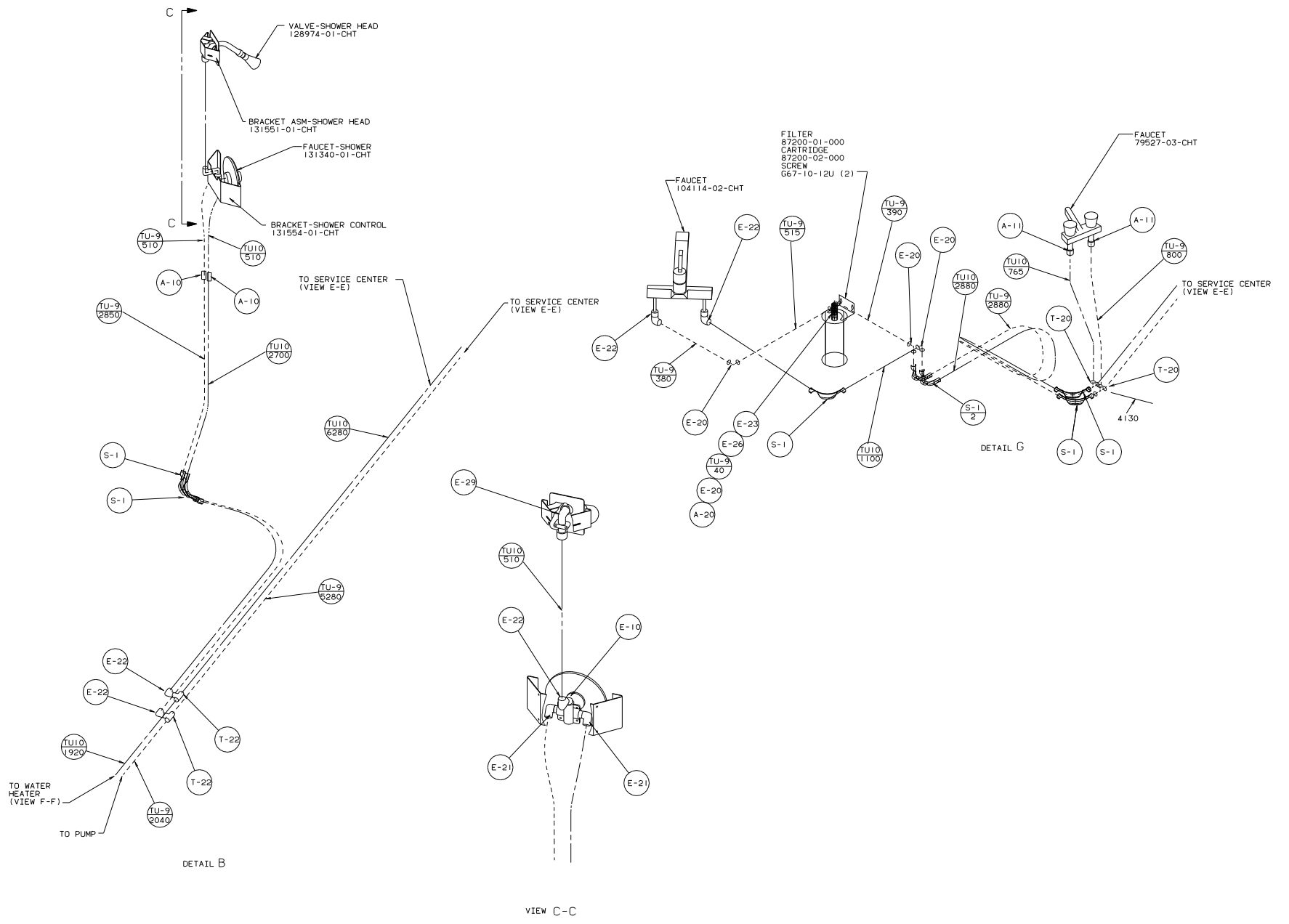
- NOTES:
1. PLASTIC FITTINGS TO BE SEALED WITH SEALANT 84456-01-000.
  2. TUBING TO BE INSTALLED WITH SUFFICIENT SLOPE TO PROVIDE DRAINAGE TO THE NEAREST VALVE.
  3. ALL TUBING TO BE SECURED AT 1200 INTERVALS MAX WITH CLAMP 10495-01-000 OR CLIP 91951-01-000 AND SCREW G67-10-12B.

7. WRAP WITH TEFLON TAPE 10405-02-000 TO FITTINGS.
6. FLUSHING SYSTEM REQUIRES 125697-06-000 INSTRUCTION SHEET.
5. ADD TEFLON TAPE 10405-02-000 TO FITTING.
4. CLAMP MUST BE ON BARBS.

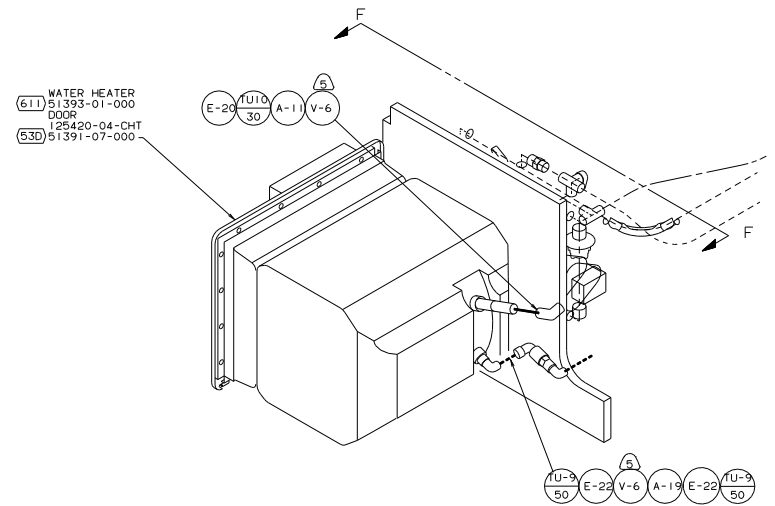
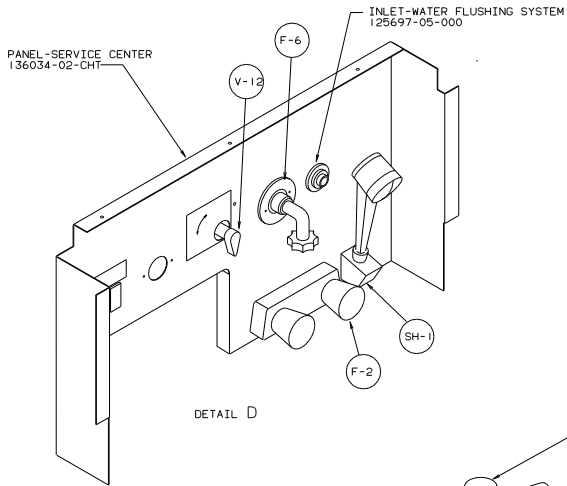
LEGEND	
HOT	———
COLD	-----

(X-X)  
 FOR WATER CALLOUTS SEE DWG NO. 116230-01-000

COPYRIGHT 2002 WINNEBAGO INDUSTRIES, INC.		WINNEBAGO		02 F30W
DATE	UNSPECIFIED TOLERANCES ARE:	DATE	UNSPECIFIED TOLERANCES ARE:	MATERIAL:
DATE	WHOLE DIM (IN)	DATE	WHOLE DIM (IN)	WHOLE DIM (IN)
DATE	ONE-PLACE (IN.XI)	DATE	ONE-PLACE (IN.XI)	ONE-PLACE (IN.XI)
DATE	TWO-PLACE (IN.XXXX)	DATE	TWO-PLACE (IN.XXXX)	TWO-PLACE (IN.XXXX)
DATE	ANGLE	DATE	ANGLE	ANGLE
DATE	THIRD ANGLE PROJECTION	DATE	THIRD ANGLE PROJECTION	THIRD ANGLE PROJECTION
DRAWN BY: F30W		TITLE: WATER SYSTEM INSTL		
SCALE: NONE		SHEET 1 OF 4		
ALL DIMENSIONS ARE IN MILLIMETERS		REF: 134957 K		

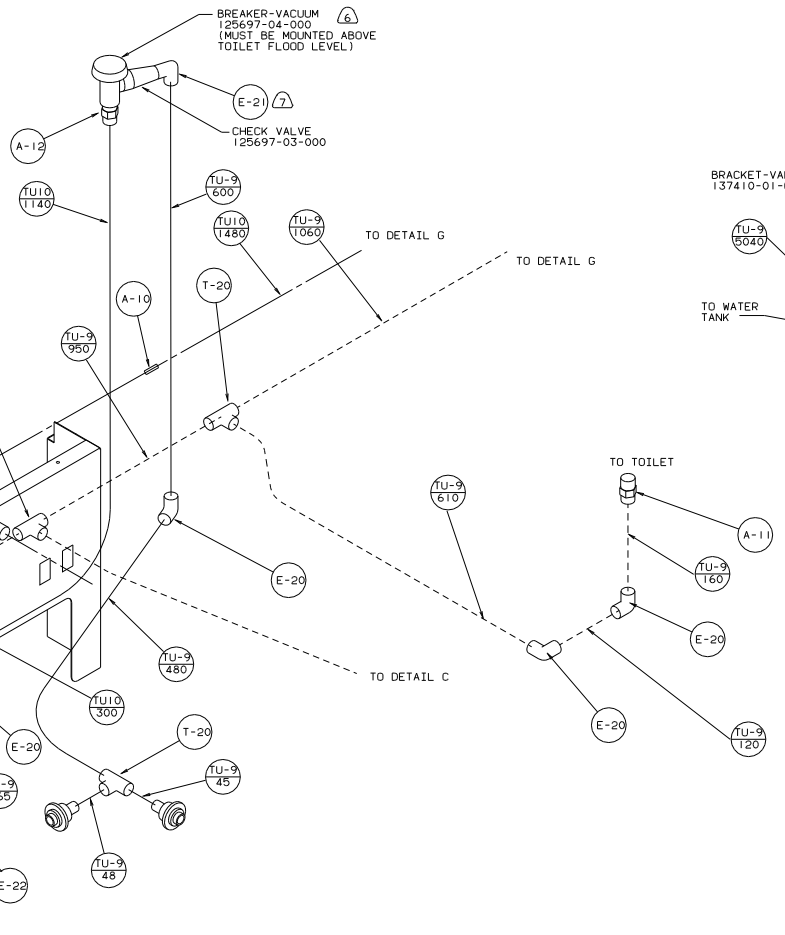


TITLE: O2 F30W	
WATER SYSTEM INSTL	
30 MIL SCALE DRAWING	DATE
SHEET 2 OF 4	1 E
137817	



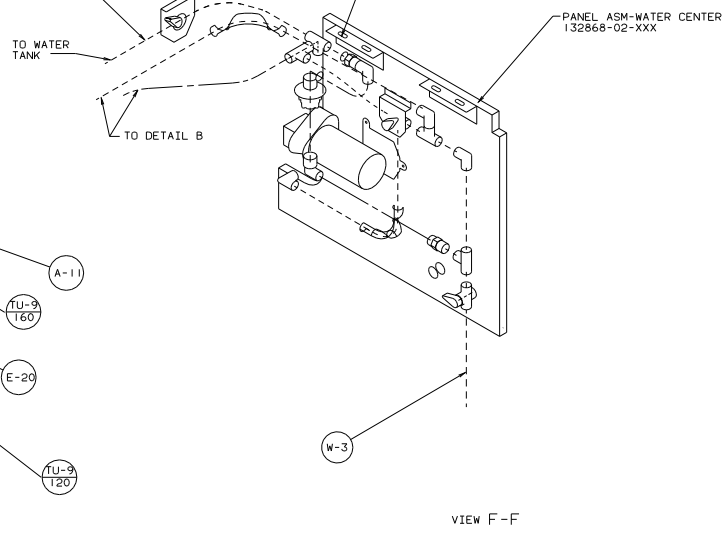
BREAKER-VACUUM 125697-04-000 (MUST BE MOUNTED ABOVE TOILET FLOOD LEVEL)

DETAIL A SEE VIEW F-F FOR CALLOUTS

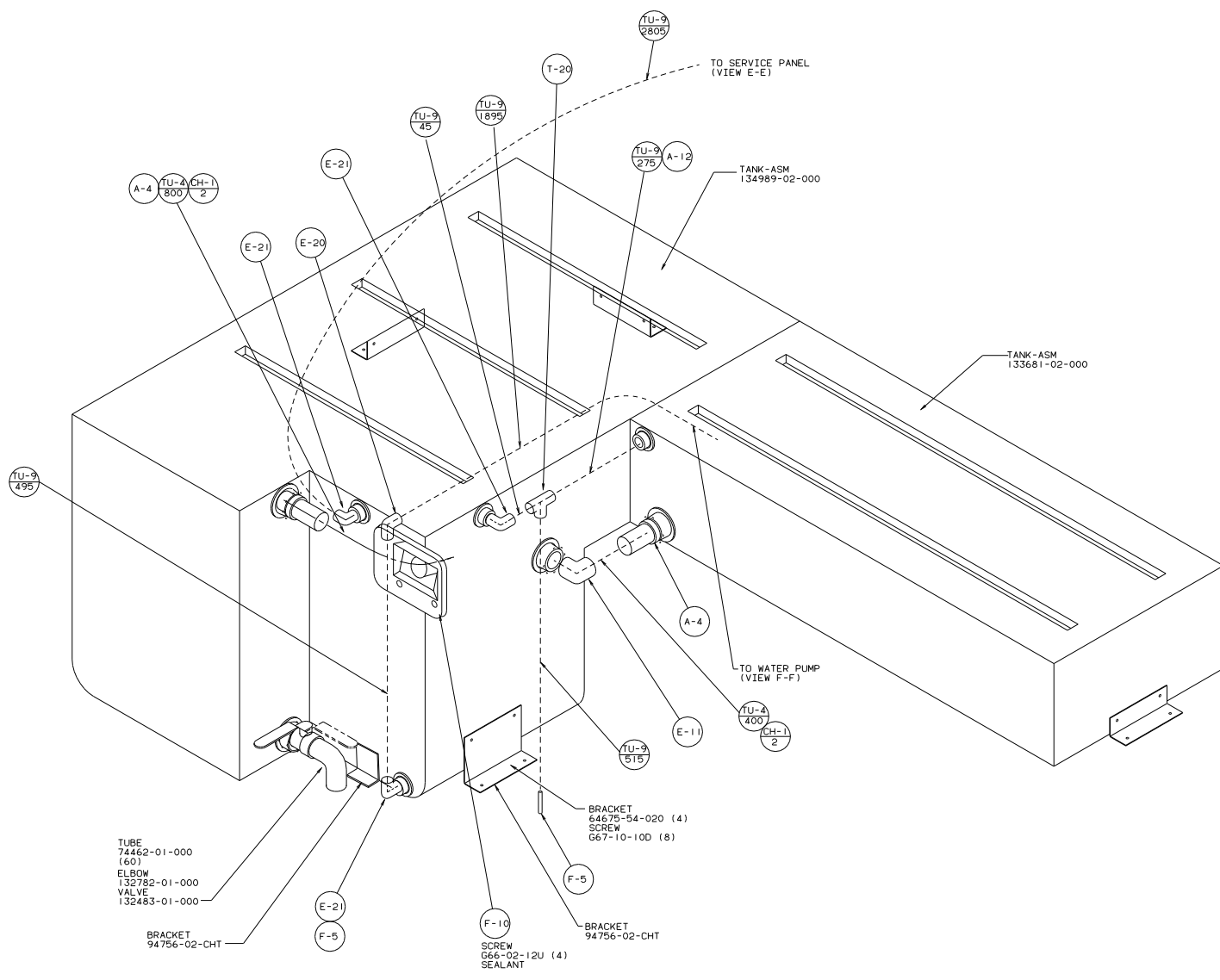


BRACKET-VALVE, WINTERIZATION 137410-01-CHT

BRACE 79804-01-CHT (2) SCREW 667-10-12B (4)



VIEW E-E



DETAIL C