



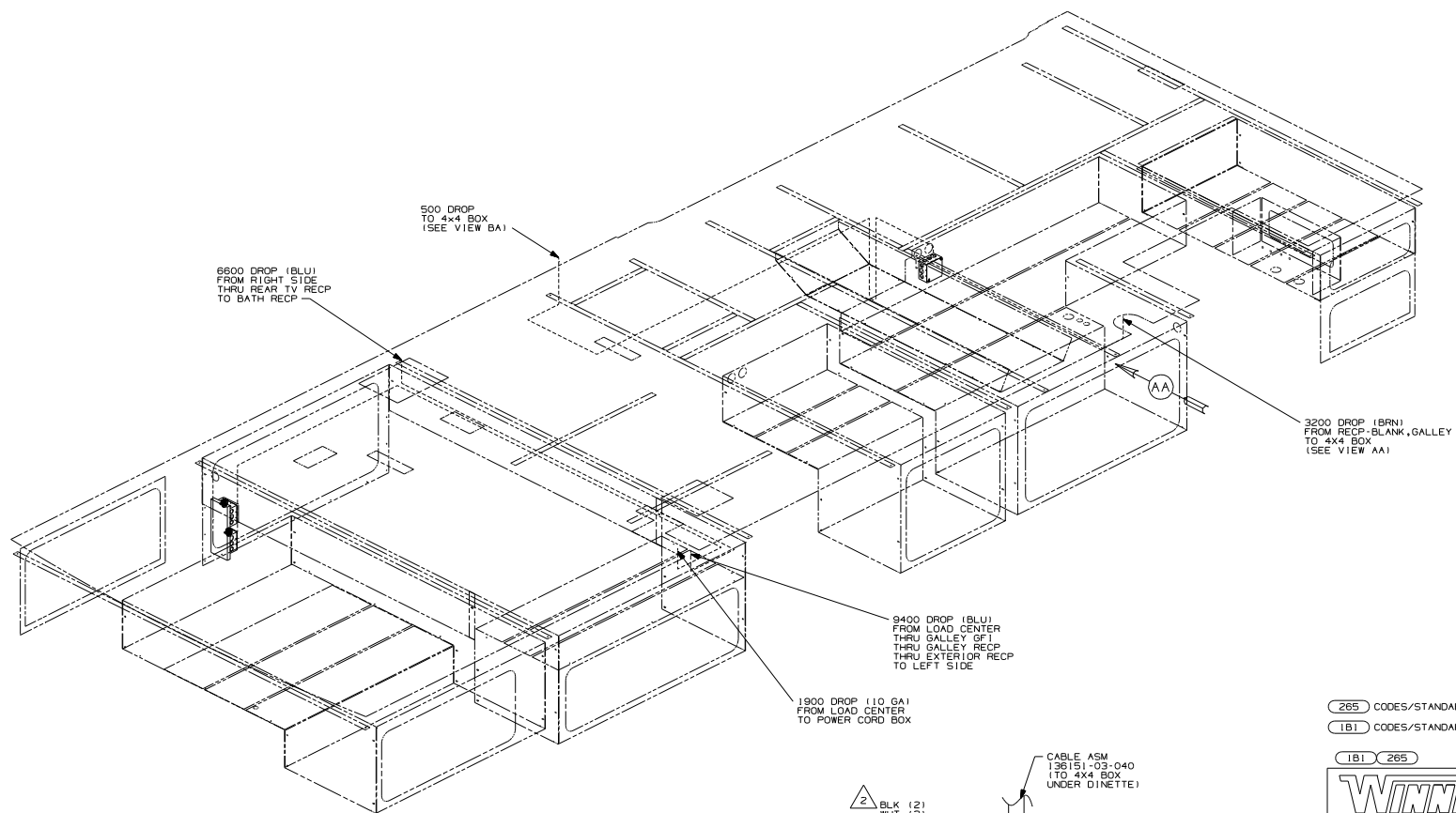
DANGER

Danger of electrical shock, burns or death. Always remove all power sources before attempting any repair, service or diagnostic work. Power can be present from shore power, generator, inverter or battery. All power sources must be disabled and secured before performing any service.



CAUTION

If you lack the skills, tools or equipment to perform diagnostic or repair work leave such work to an authorized Winnebago Industries dealer or other qualified shop.



(265) CODES/STANDARDS-CSA/CMVSS
 (1B1) CODES/STANDARDS USA

(1B1) (265)

WINNEBAGO

QTR	ORIG. DATE	02/23/01
DWR	ALL DIMENSIONS ARE IN MILLIMETERS	
P.E.	FIRST USED	
M.E.		
DWR		

UNSPECIFIED TOLERANCES ARE:
 HOLE DIA (X..X) ± .1
 ONE-PLACE (X..X) ± 1.5
 TWO-PLACE (X..X) ± 0.50
 HOLE ± .1"

THIRD ANGLE PROJECTION

DO NOT SCALE DRAWING

TITLE: WIRING INSTL-BODY,110V
 SHEET 1 of 3 PART NO 138704

REF: 1 PAGE 27

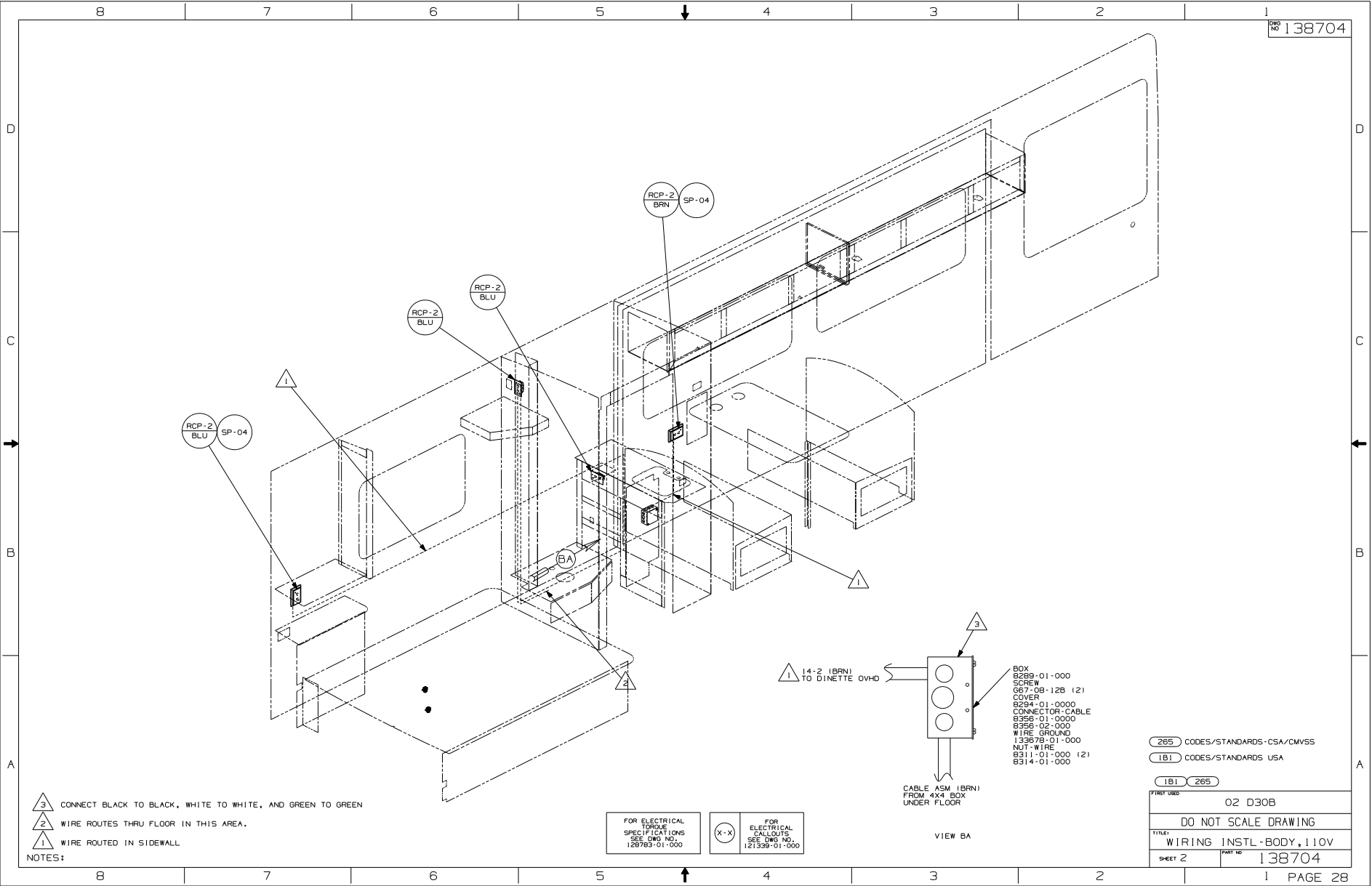
3 PRE PREP WIRE IN BOX

2 CONNECT BLACK TO BLACK, WHITE TO WHITE, AND GREENS TO GREENS.
 1. WIRES ROUTED UNDER FLOOR.

FOR ELECTRICAL TORQUE SPECIFICATIONS SEE DWG NO. 128783-01-000

(X-X) FOR ELECTRICAL CALLOUTS SEE DWG NO. 121339-01-000

VIEW AA

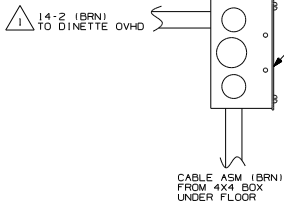


- NOTES:
- 3 CONNECT BLACK TO BLACK, WHITE TO WHITE, AND GREEN TO GREEN
 - 2 WIRE ROUTES THRU FLOOR IN THIS AREA.
 - 1 WIRE ROUTED IN SIDEWALL

FOR ELECTRICAL TORQUE SPECIFICATIONS SEE DWG NO 128783-01-000

(X-X)

FOR ELECTRICAL CALLOUTS SEE DWG NO 121338-01-000



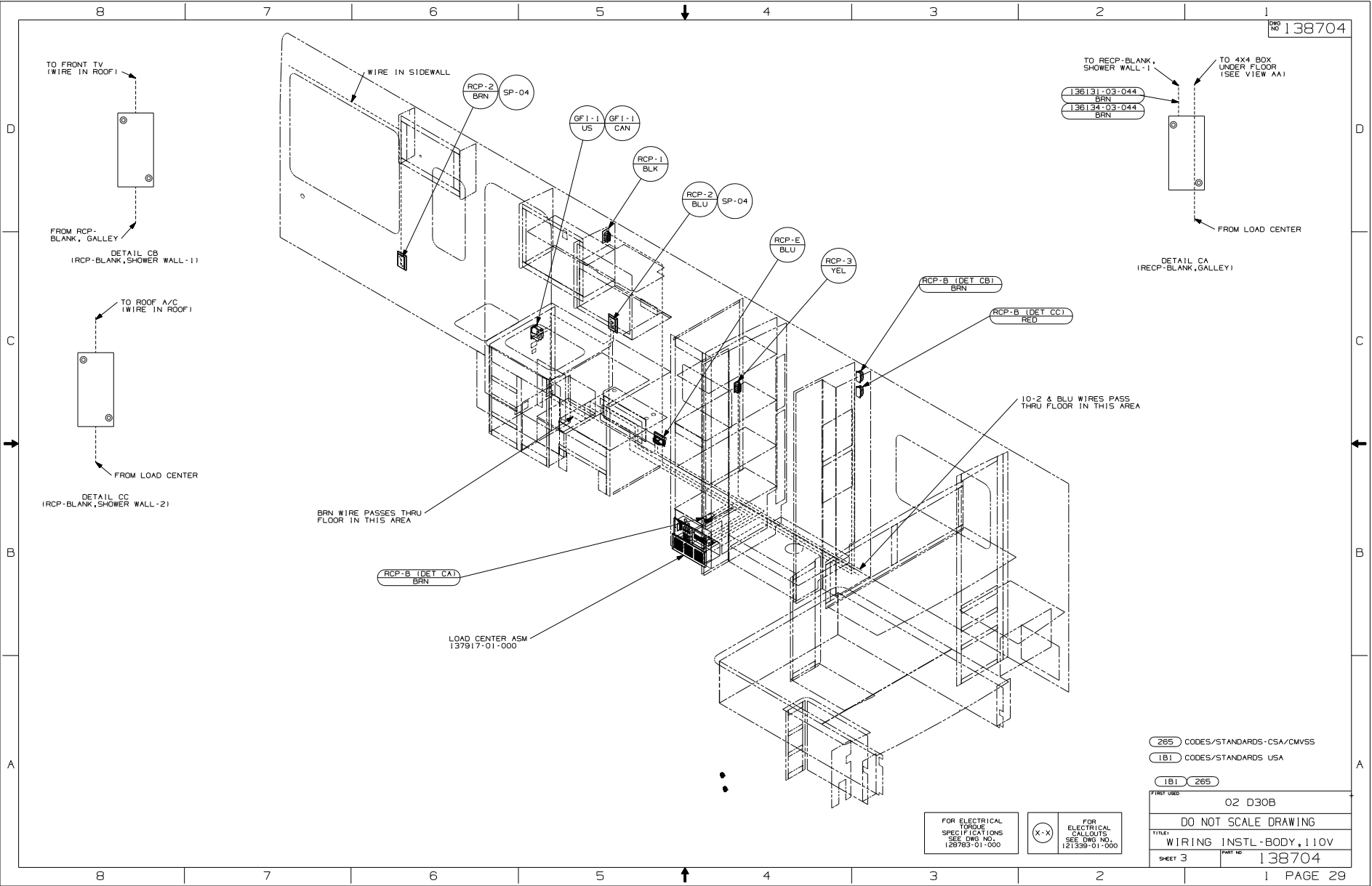
- BOX 8289-01-000
- SCREW 667-08-12B (2)
- COVER 8294-01-0000
- CONNECTOR-CABLE 8356-01-0000
- WIRE GROUND 8356-02-000
- NUT-WIRE 8311-01-000 (2)
- 8314-01-000

265 CODES/STANDARDS-CSA/CMVSS

1B1 CODES/STANDARDS USA

1B1 265

FIRST USED	02 D30B
DO NOT SCALE DRAWING	
TITLE: WIRING INSTL-BODY,110V	
SHEET 2	PART NO 138704



- (265) CODES/STANDARDS-CSA/CMVSS
- (1B1) CODES/STANDARDS USA
- (1B1) (265)

FIRST USED		02 D30B
DO NOT SCALE DRAWING		
TITLE: WIRING INSTL-BODY, 110V		
SHEET 3	PART NO	138704

FOR ELECTRICAL TORQUE SPECIFICATIONS SEE DWG NO. 128783-01-000

(X-X)

FOR ELECTRICAL CALLOUTS SEE DWG NO. 121339-01-000