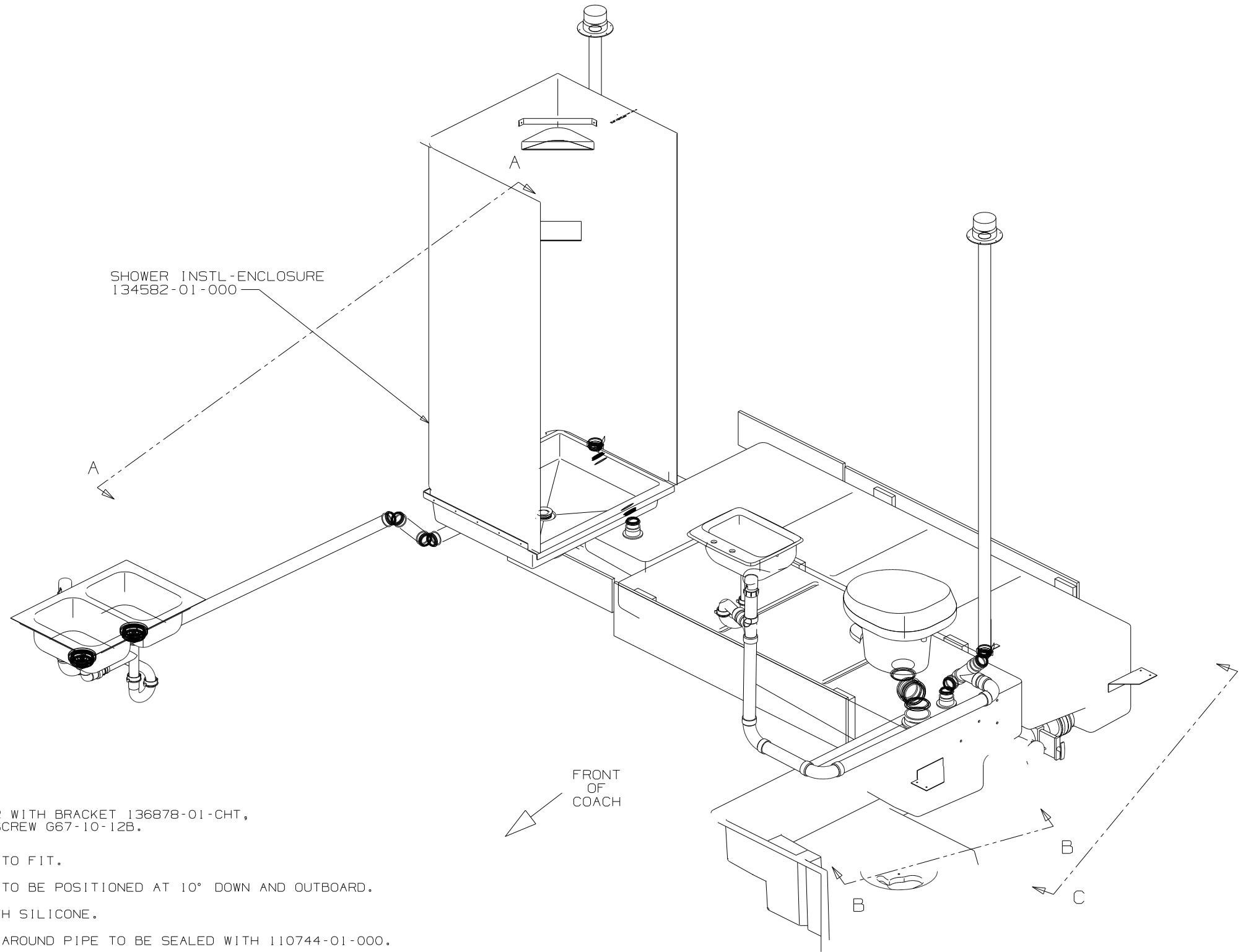


DWG NO	-----
137846-01	RH SHOWN
137846-02	LH OPPOSITE

RELEASE	REV DATE	DWG NO	137846
REV ZONE	REVISION RECORD	DATE	DFTR-ORIG



9. SECURE VENTS TO FLOOR WITH BRACKET 136878-01-CHT, CLAMP 62401-02-000, SCREW G67-10-12B.
8. TRIM P-TRAP EXTENSION TO FIT.
7. VALVE TERMINATION TEE TO BE POSITIONED AT 10° DOWN AND OUTBOARD.
6. SEAL AROUND SHOWER WITH SILICONE.
5. ALL EXTERIOR OPENINGS AROUND PIPE TO BE SEALED WITH 110744-01-000.
4. ALL PIPE AND FITTING TO BE ASSEMBLED WITH SOLVENT 4020-01-000.
3. SLOPE OF TRAP ARM MUST BE 6 PER 305 mm.
2. SLOPE OF HORIZONTAL PIPING TO BE 6 PER 305 mm.
1. VENT PIPE MUST PROJECT 51 MIN AND 64 MAX ABOVE ROOF FOR PROPER FIT.

NOTES:

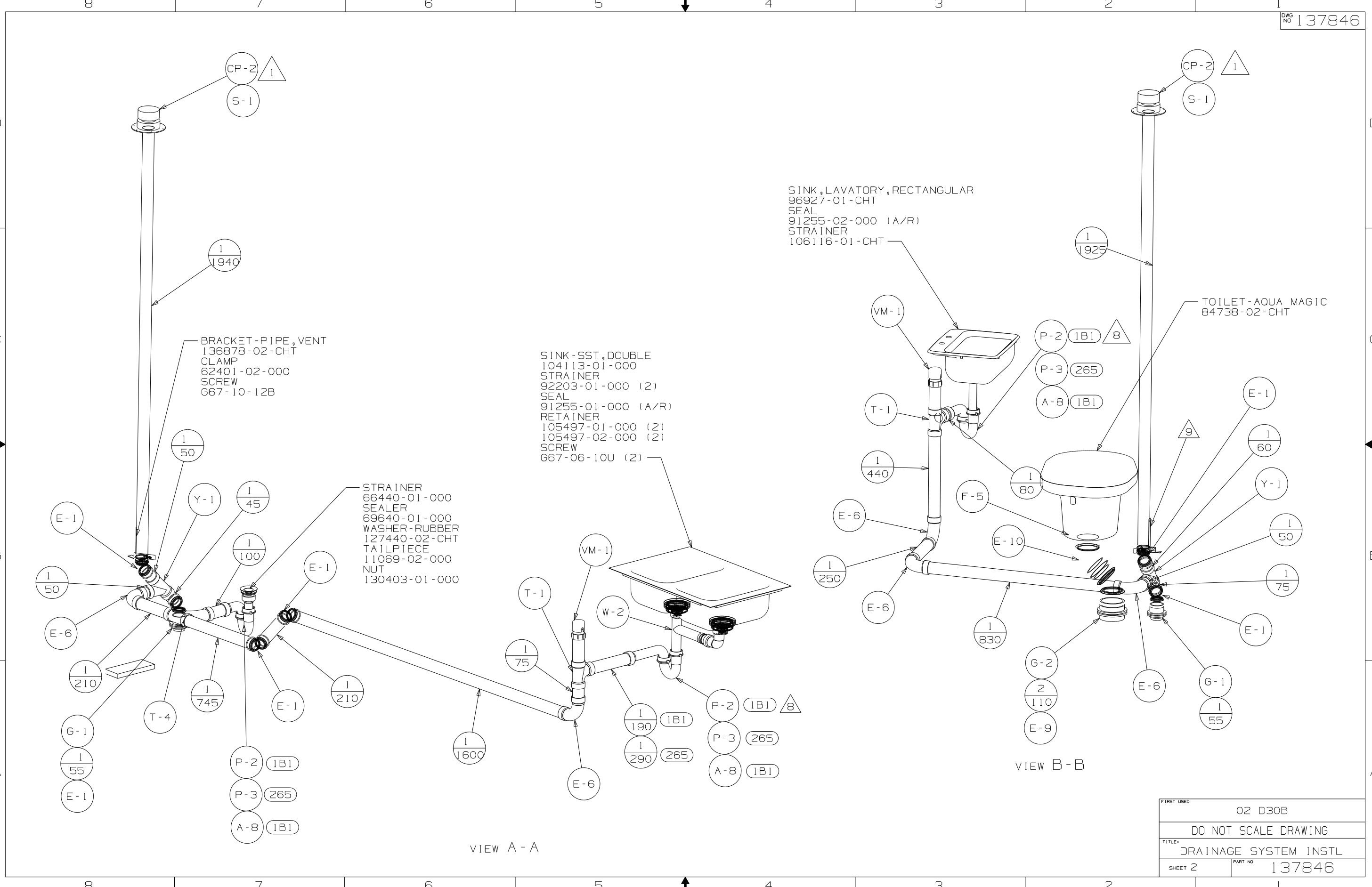
FRONT OF COACH

(265) CODES/STDS-CSA/CMVSS
(1B1) CODES/STANDARDS-USA

WINNEBAGO		COPYRIGHT 2002 WINNEBAGO INDUSTRIES, INC.	
DFTR	ORIG. DATE	ALL DIMENSIONS ARE IN MILLIMETERS	
CHKR			
P.E.			
M.E.	FIRST USED		
DSNR		02 D30B	
UNSPECIFIED TOLERANCES ARE:		MATERIAL:	
WHOLE DIM (X)	:		
ONE-PLACE (X.X)	:		
TWO-PLACE (X.XX)	:		
ANGLE	:		
THIRD ANGLE PROJECTION			
DO NOT SCALE DRAWING			
TITLE: DRAINAGE SYSTEM INSTL			
SHEET 1 OF 3	PART NO	137846	
REF: 137792 1			

FOR
DRAINAGE
CALLOUTS
SEE DWG NO
116229-01-000

(X-X)



SINK, LAVATORY, RECTANGULAR
 96927-01-CHT
 SEAL
 91255-02-000 (A/R)
 STRAINER
 106116-01-CHT

SINK-SST, DOUBLE
 104113-01-000
 STRAINER
 92203-01-000 (2)
 SEAL
 91255-01-000 (A/R)
 RETAINER
 105497-01-000 (2)
 105497-02-000 (2)
 SCREW
 667-06-10U (2)

STRAINER
 66440-01-000
 SEALER
 69640-01-000
 WASHER-RUBBER
 127440-02-CHT
 TAILPIECE
 11069-02-000
 NUT
 130403-01-000

BRACKET-PIPE, VENT
 136878-02-CHT
 CLAMP
 62401-02-000
 SCREW
 667-10-12B

VIEW A-A

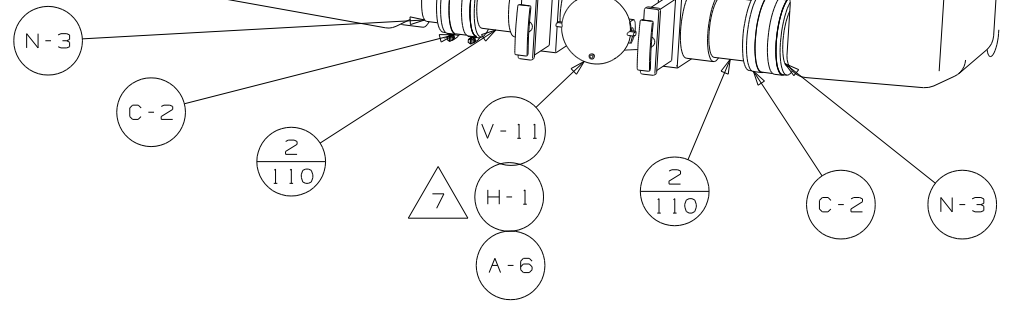
VIEW B-B

FIRST USED	02 D30B
DO NOT SCALE DRAWING	
TITLE	DRAINAGE SYSTEM INSTL
SHEET 2	PART NO 137846

TANK - HOLDING
133436-02-000

BRACKET - TIE DOWN
139004-01-000 (2)
SCREW
G39-08-16B (4)

TANK - HOLDING
133437-02-000



VIEW C-C

φ VEHICLE

1224

697

236

DATUM
CORNER OF FLOOR

4715

φ FRONT AXLE

FOAM-SUPPORT
120050-45-000 (2)
(150 X 578)

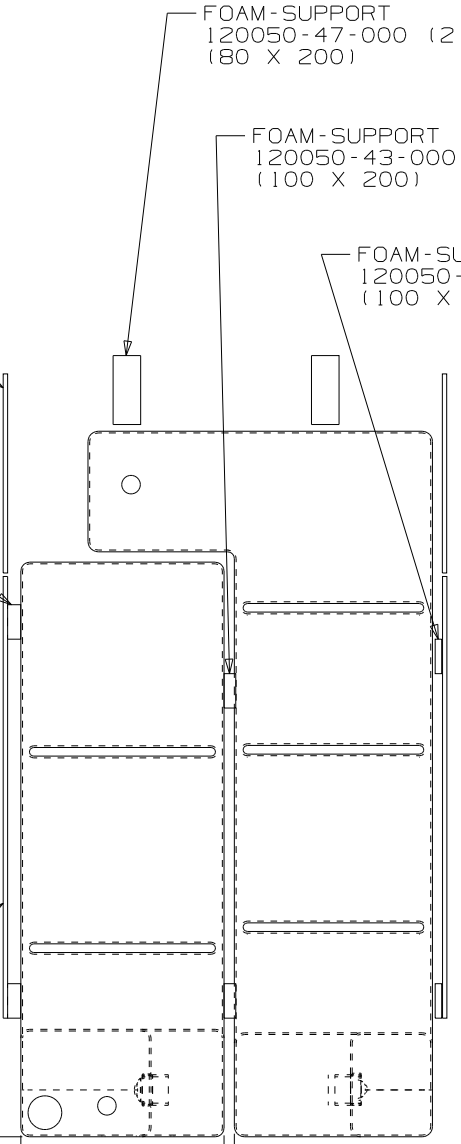
FOAM-SUPPORT
120050-44-000 (2)
(100 X 200)

FOAM-SUPPORT
120050-46-000 (2)
(240 X 1282)

FOAM-SUPPORT
120050-47-000 (2)
(80 X 200)

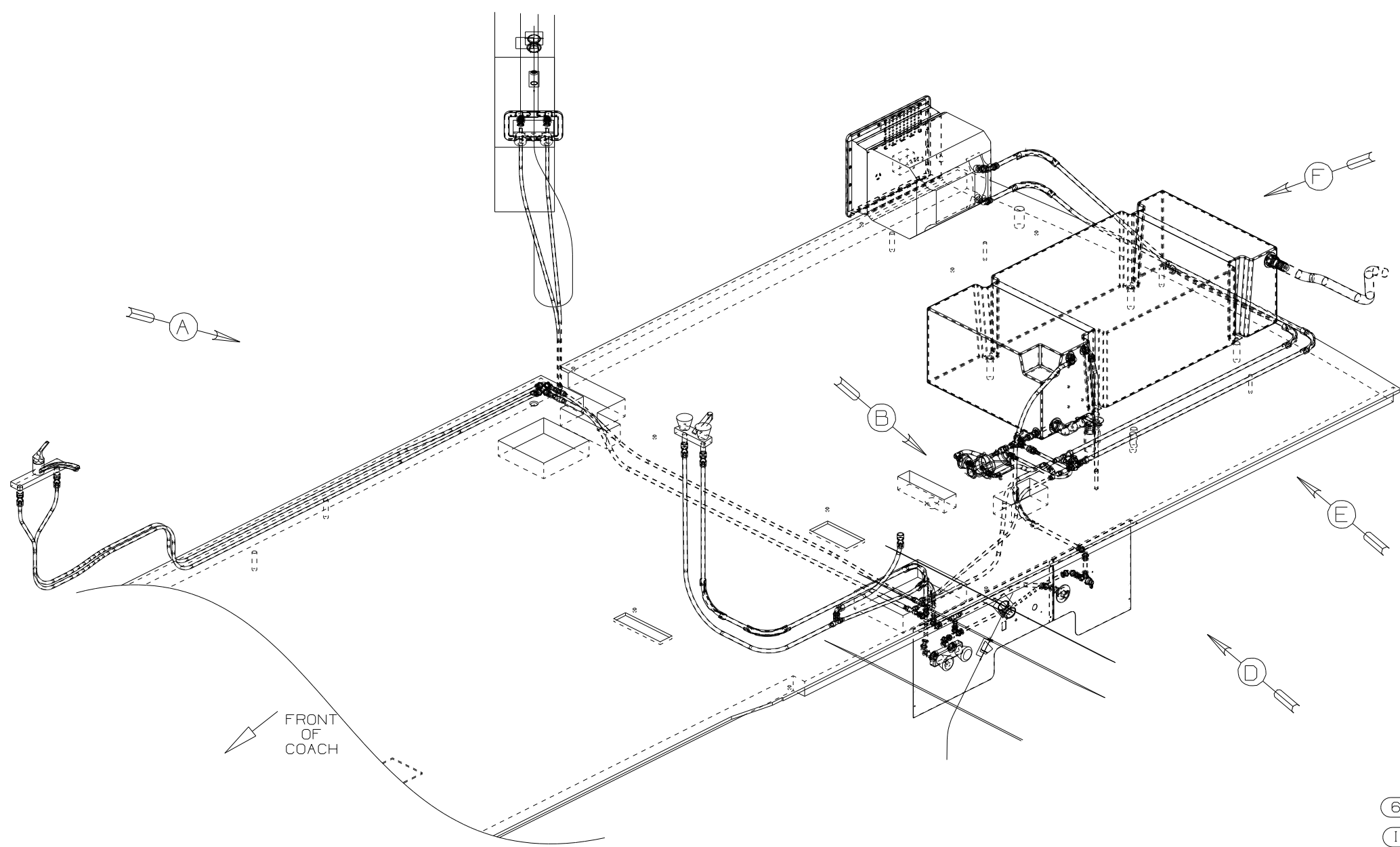
FOAM-SUPPORT
120050-43-000 (2)
(100 X 200)

FOAM-SUPPORT
120050-42-000 (2)
(100 X 200)



30

FIRST USED	02 D30B
TITLE	DO NOT SCALE DRAWING
SHEET 3	PART NO 137846



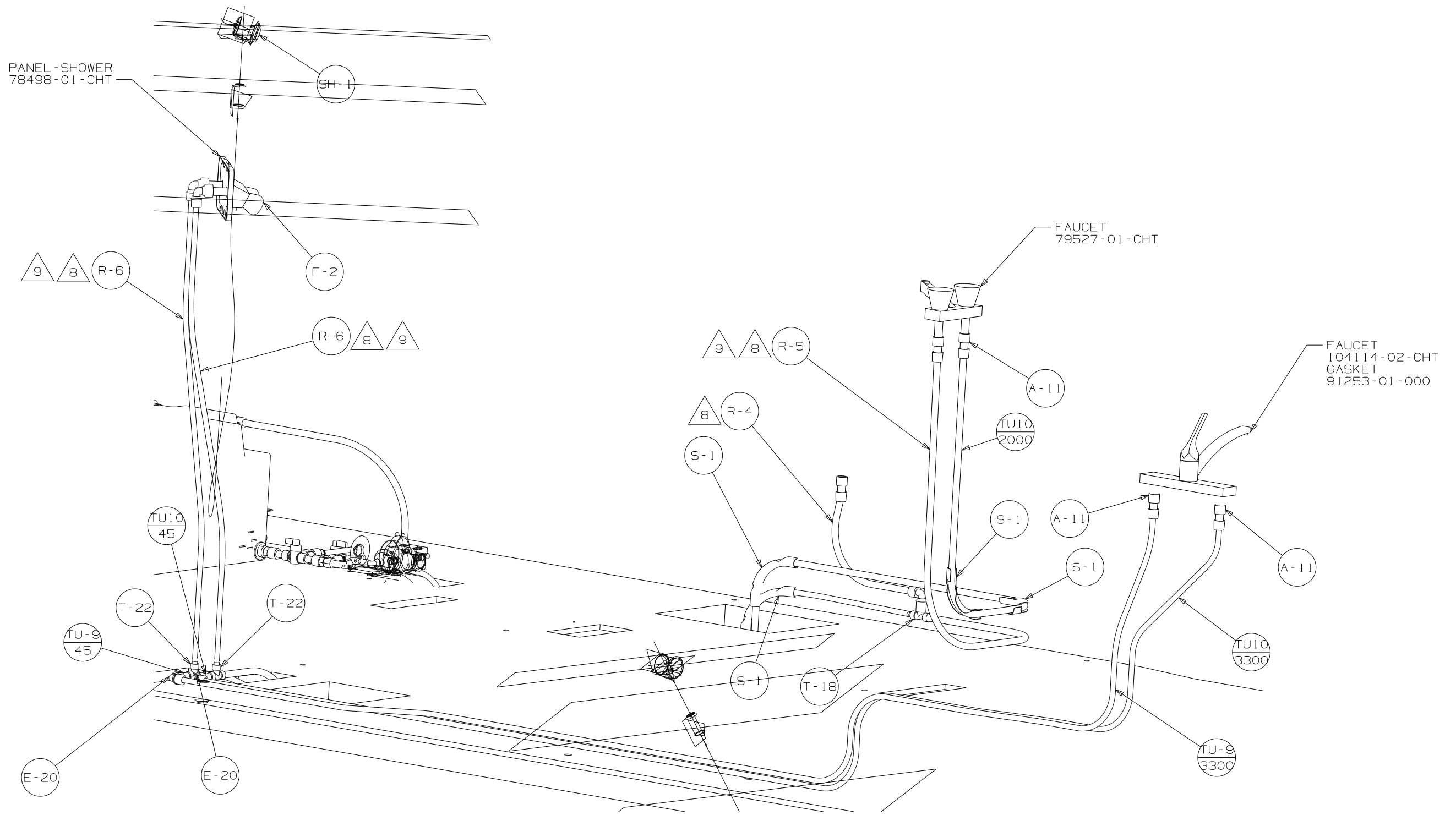
- (611) MOTORAID & AUX. HEATER
- (1JR) W/O EXTERIOR WASH STATION
- (64R) EXTERIOR WASH STATION

- 9 LABEL THE HOT AND COLD SUPPLY TUBES.
 - 8 TAPE FITTING TO TUBE BEFORE SETTING CABINET TO PREVENT FITTING FROM MOVING.
 - 7 ADD TEFLON TAPE 10405-01-000 TO FITTING.
 - 6 ADD TEFLON TAPE 10405-03-000 TO FITTING.
 - 5 ADD TEFLON TAPE 10405-02-000 TO FITTING.
 - 4 CLAMPS MUST BE ON BARBS.
3. ALL TUBING TO BE SECURED AT 1200 INTERVALS MAXIMUM WITH CLAMP 10495-01-000 OR CLIP 9151-01-000 AND SCREW G67-10-12B.
 2. TUBING TO BE INSTALLED WITH SUFFICIENT SLOPE TO PROVIDE DRAINAGE TO NEAREST VALVE.
 1. PLASTIC FITTINGS TO BE SEALED WITH SEALANT 84456-01-000.

NOTES:

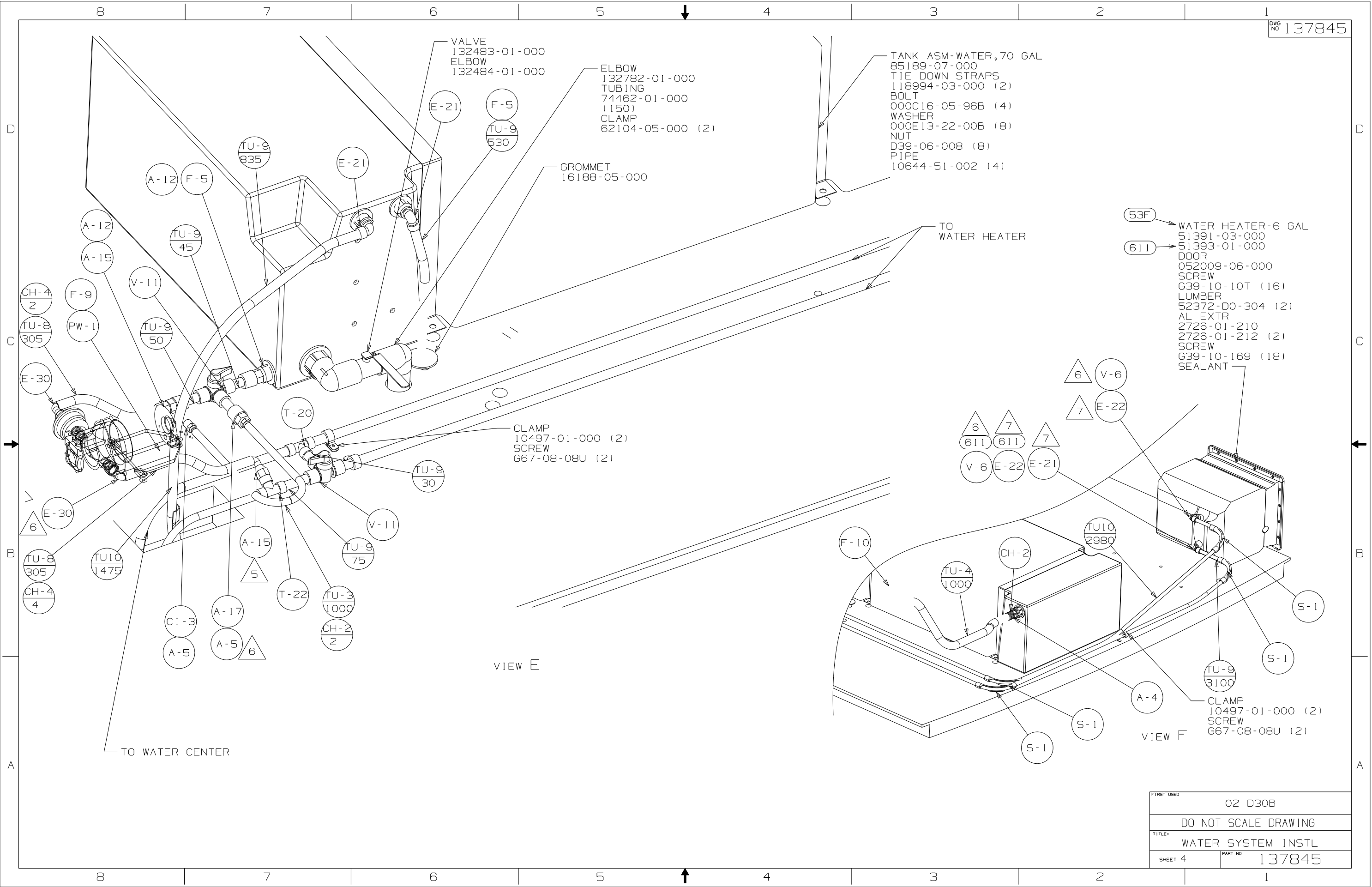
WINNEBAGO		COPYRIGHT 2002 WINNEBAGO INDUSTRIES, INC.	
DFTB	ORIG. DATE	ALL DIMENSIONS ARE IN MILLIMETERS	
CHKR		FIRST USED	
P.E.		02 D30B	
M.E.		UNSPECIFIED TOLERANCES ARE:	
DSNR		MATERIAL:	
		WHOLE DIM (X)	: 3
		ONE-PLACE (X.X)	:
		TWO-PLACE (X.XX)	:
		ANGLE	:
THIRD ANGLE PROJECTION		DO NOT SCALE DRAWING	
TITLE: WATER SYSTEM INSTL			
SHEET 1 OF 4		PART NO 137845	
REF: 138507 1			

(X-X)
FOR
WATER
CALLOUTS
SEE DWG NO
116230-01-000



VIEW A

FIRST USED	02 D30B
TITLE	DO NOT SCALE DRAWING
SHEET 2	PART NO 137845



VIEW E

VIEW F

FIRST USED	02 D30B
DO NOT SCALE DRAWING	
TITLE	WATER SYSTEM INSTL
SHEET 4	PART NO 137845