

- 9. SECURE VENTS TO FLOOR WITH BRACKET 136878-01-CHT, CLAMP 62401-02-000, SCREW G67-10-12B.
- 8. TRIM P-TRAP EXTENSION TO FIT.
- 7. VALVE TERMINATION TEE TO BE POSITIONED AT 10° DOWN AND OUTBOARD.
- 6. SEAL AROUND SHOWER WITH SILICONE.
- 5. ALL EXTERIOR OPENINGS AROUND PIPE TO BE SEALED WITH 110744-01-000.
- 4. ALL PIPE AND FITTING TO BE ASSEMBLED WITH SOLVENT 4020-01-000.
- 3. SLOPE OF TRAP ARM MUST BE 6 PER 305 mm.
- 3. CLEAN AND FINISH PER ES0025.8.
- 2. SLOPE OF HORIZONTAL PIPING TO BE 6 PER 305 mm.
- 2. BEND PER ES0048.
- 1. VENT PIPE MUST PROJECT 51 MIN AND 64 MAX ABOVE ROOF FOR PROPER FIT.

NOTES:

(265) CODES/STDS-CSA/CMVSS  
 (1B1) CODES/STANDARDS-USA

<b>WINNEBAGO</b>		COPYRIGHT 2002 WINNEBAGO INDUSTRIES, INC.	
D/FR	ORIG. DATE	ALL DIMENSIONS ARE IN MILLIMETERS	
CHKR		FIRST USED	
P.E.		02 D27C	
M.E.		UNSPECIFIED TOLERANCES ARE:	
DSNR		MATERIAL:	
		WHOLE DIM (X) :	
		ONE-PLACE (X.X) :	
		TWO-PLACE (X.XX) :	
		ANGLE :	
		THIRD ANGLE PROJECTION	
DO NOT SCALE DRAWING			
TITLE: DRAINAGE SYSTEM INSTL			
SHEET 1 OF 3		PART NO 137792	

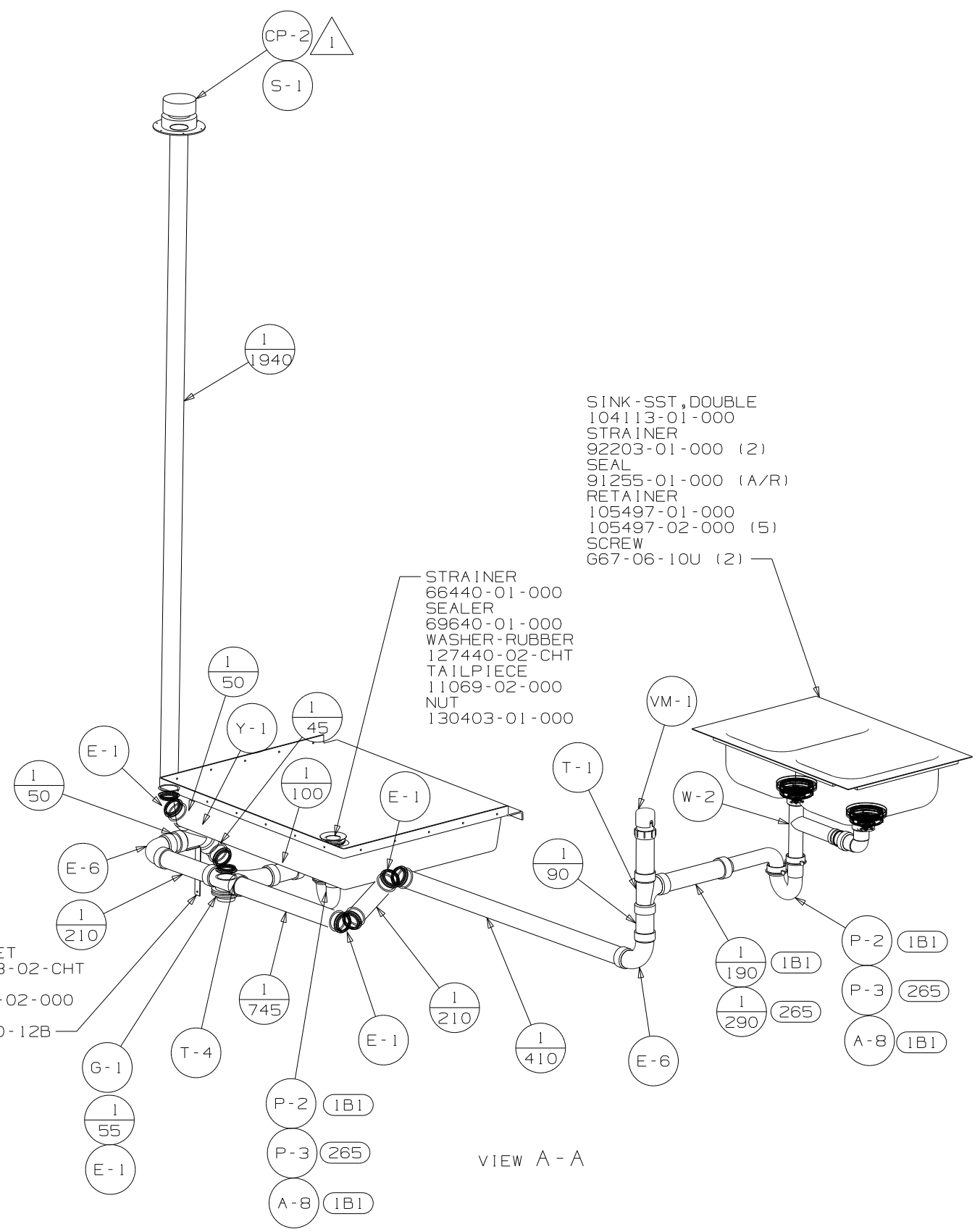
FOR  
DRAINAGE  
CALLOUTS  
SEE DWG NO  
116229-01-000

SINK, LAVATORY, RECTANGULAR  
96927-01-CHT  
SEAL  
91255-02-000 (A/R)  
STRAINER  
106116-01-CHT

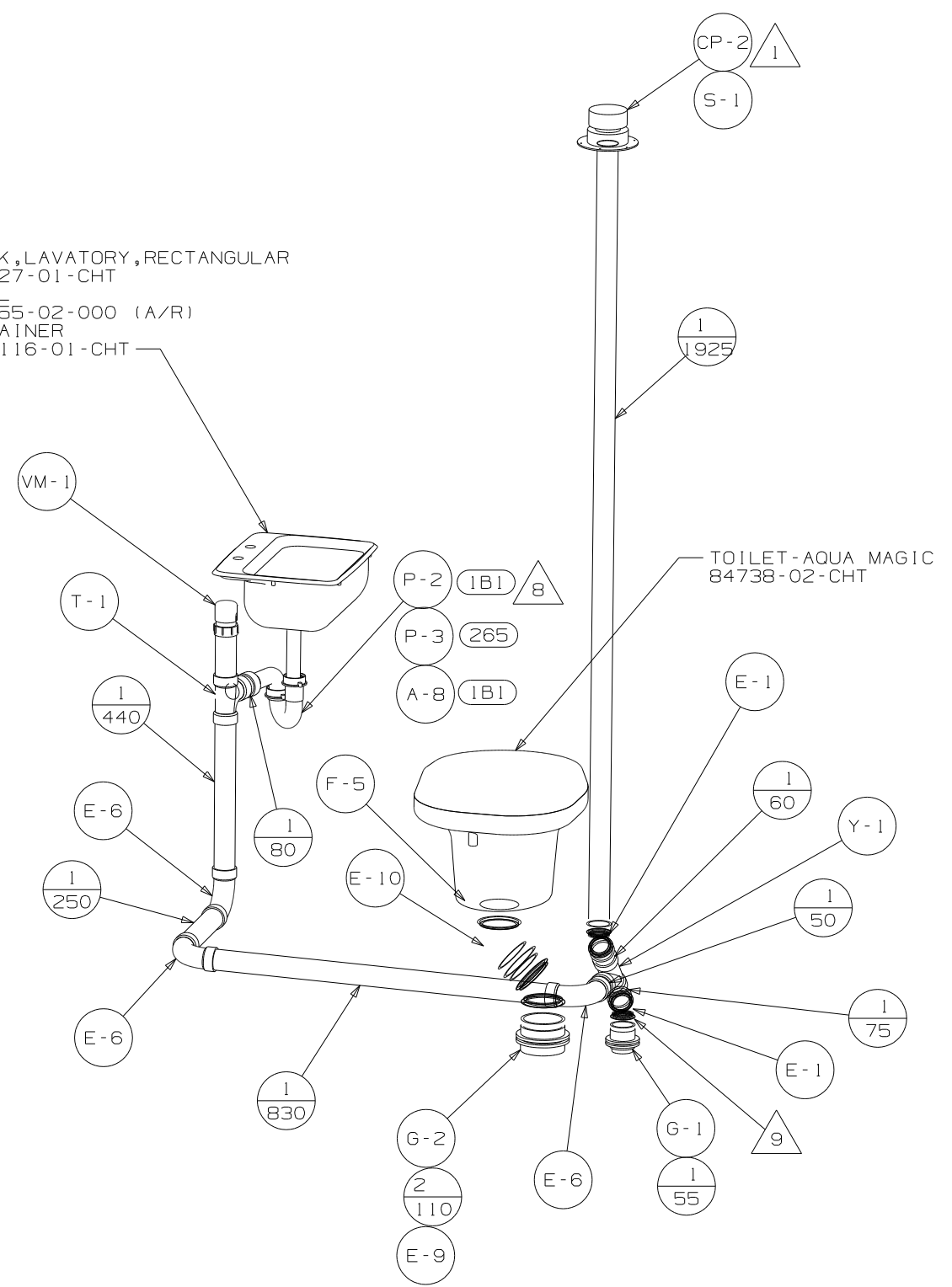
SINK - SST, DOUBLE  
104113-01-000  
STRAINER  
92203-01-000 (2)  
SEAL  
91255-01-000 (A/R)  
RETAINER  
105497-01-000  
105497-02-000 (5)  
SCREW  
G67-06-10U (2)

STRAINER  
66440-01-000  
SEALER  
69640-01-000  
WASHER - RUBBER  
127440-02-CHT  
TAILPIECE  
11069-02-000  
NUT  
130403-01-000

BRACKET  
136878-02-CHT  
CLAMP  
62401-02-000  
SCREW  
G67-10-12B

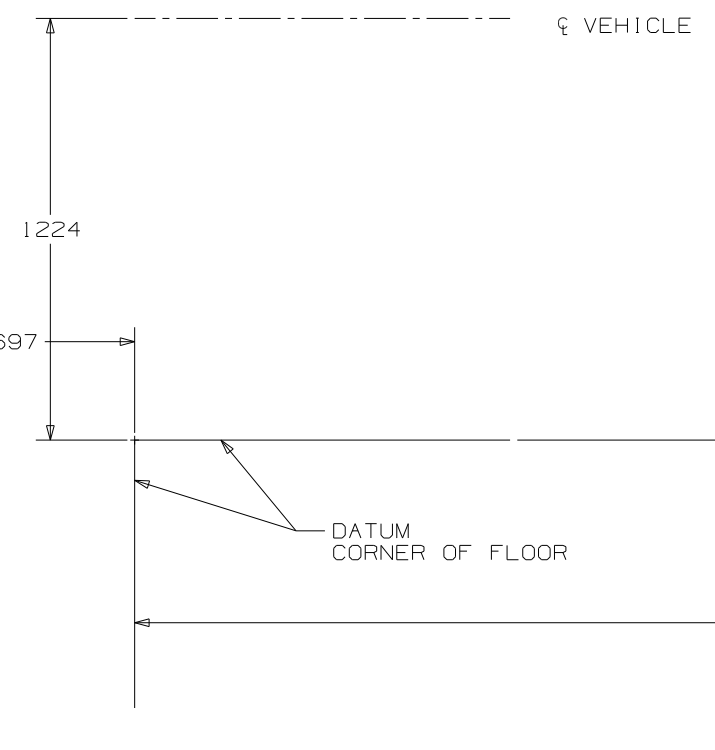
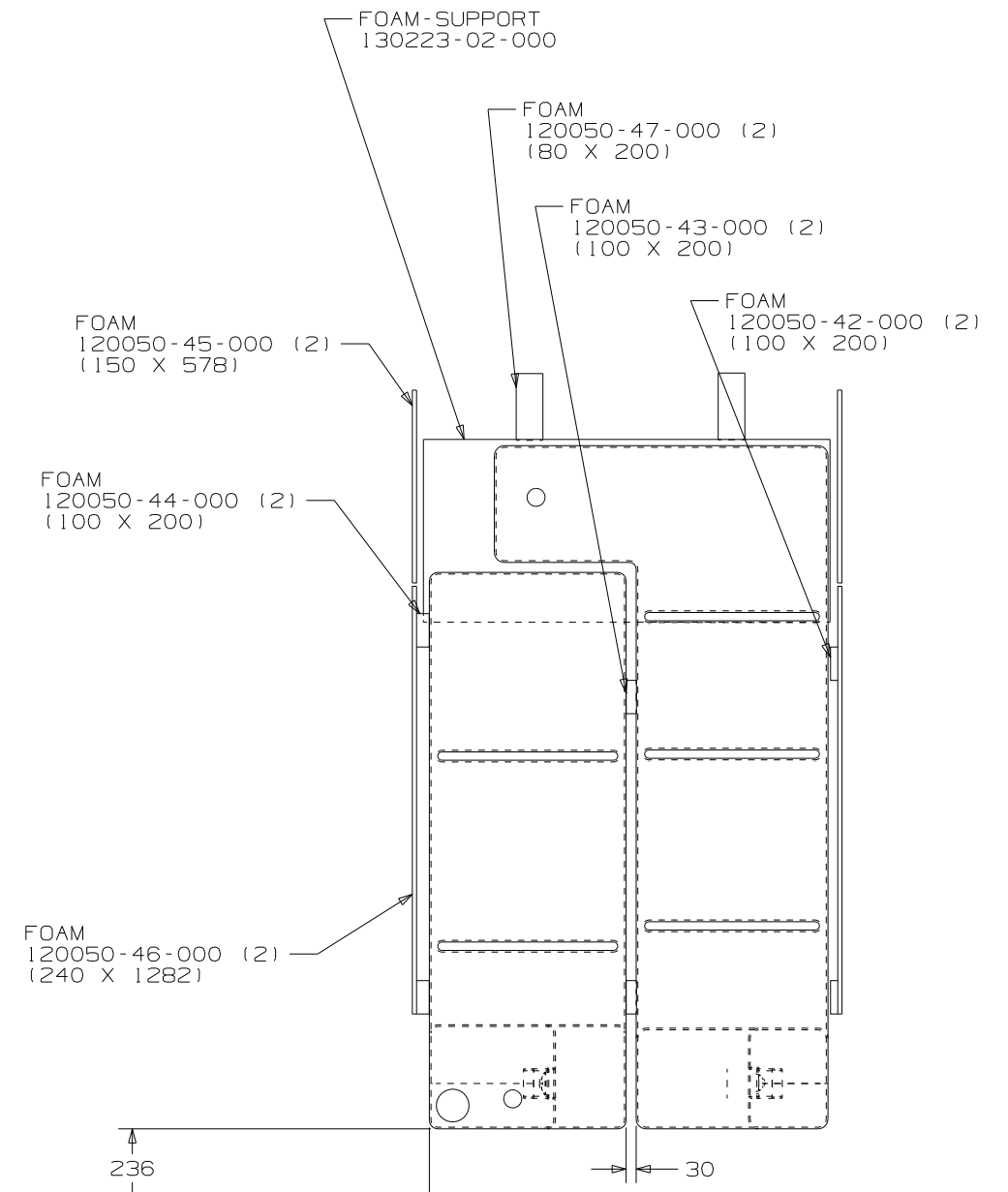
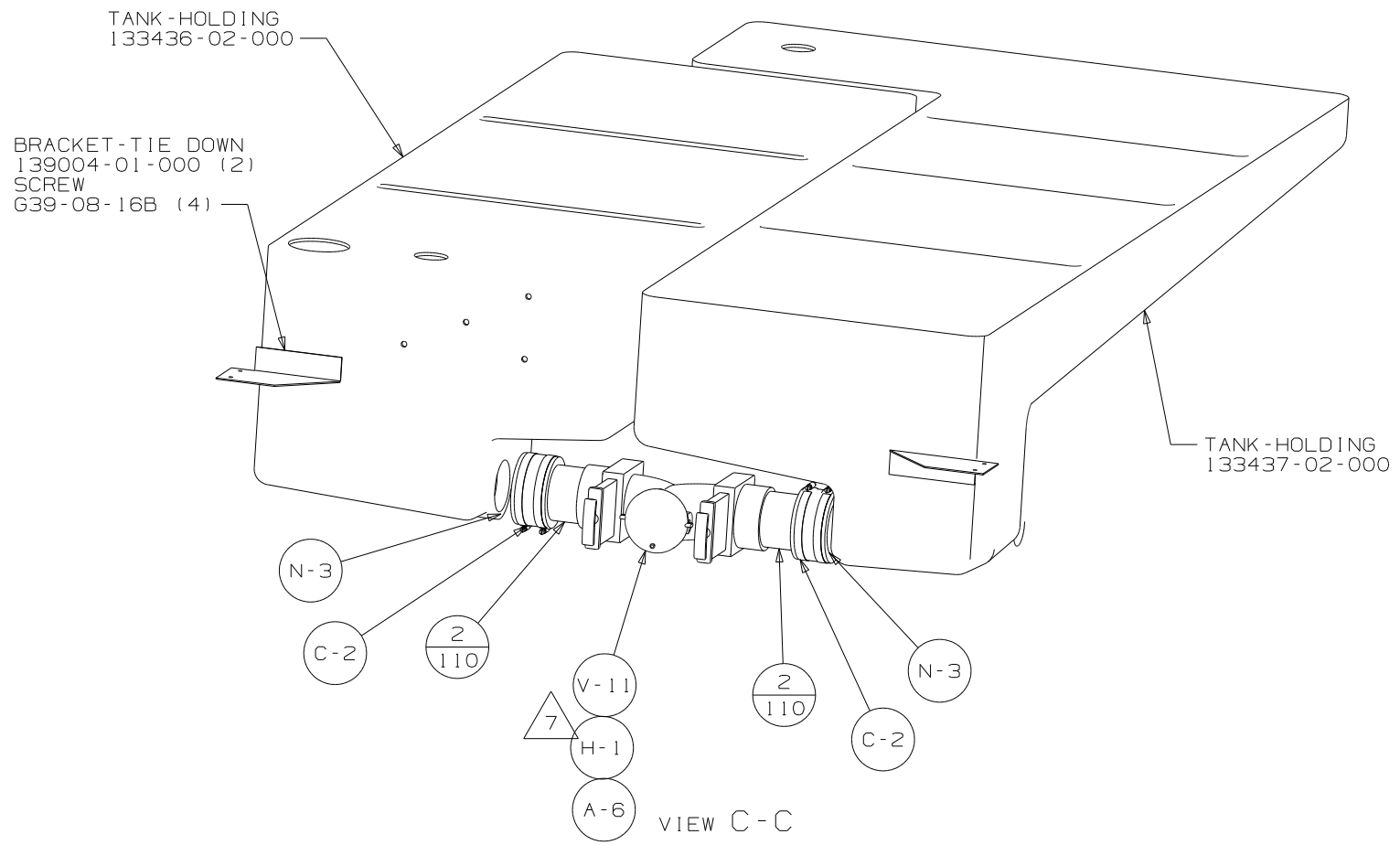


VIEW A-A



VIEW B-B

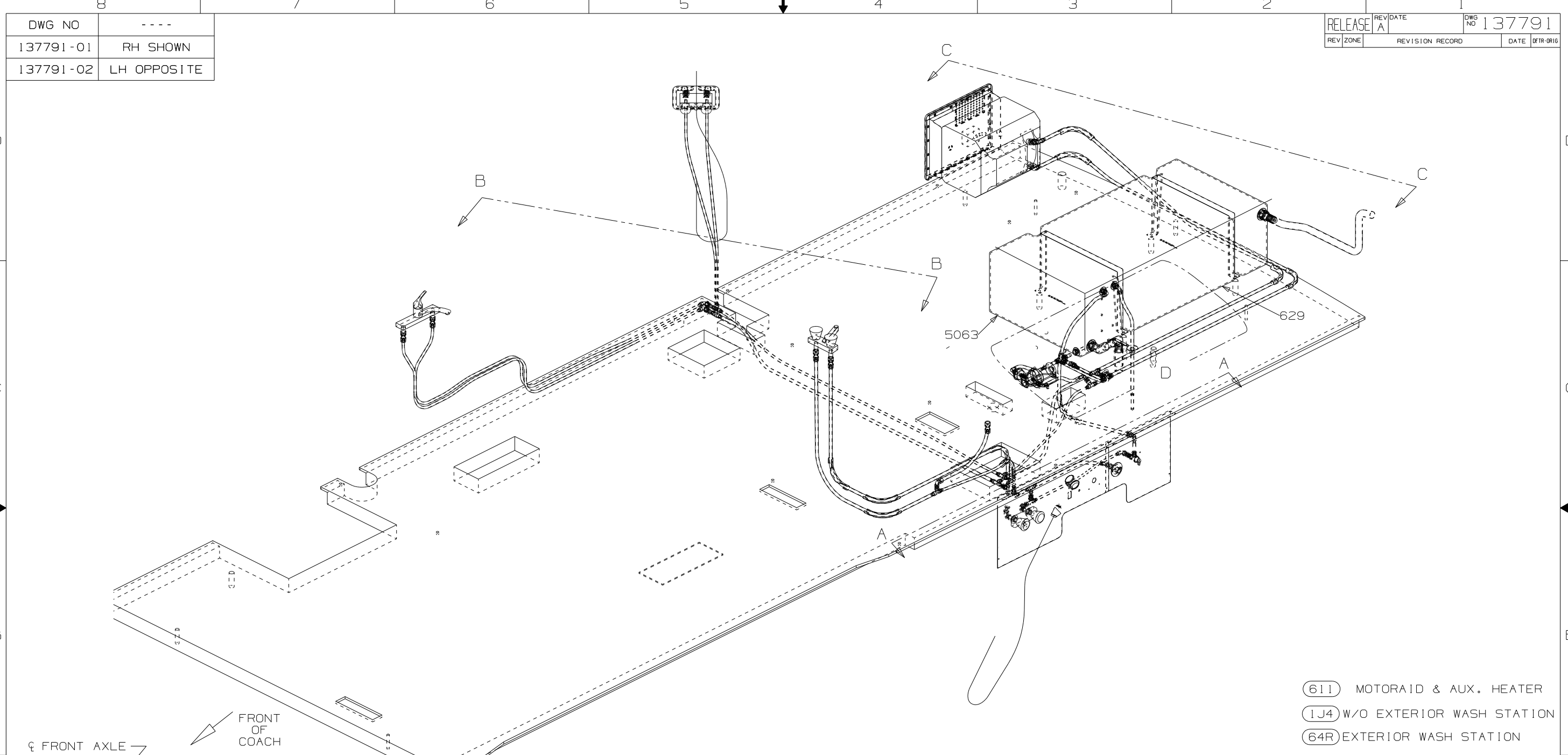
FIRST USED	02 D27C
DO NOT SCALE DRAWING	
TITLE	DRAINAGE SYSTEM INSTL
SHEET 2	PART NO 137792



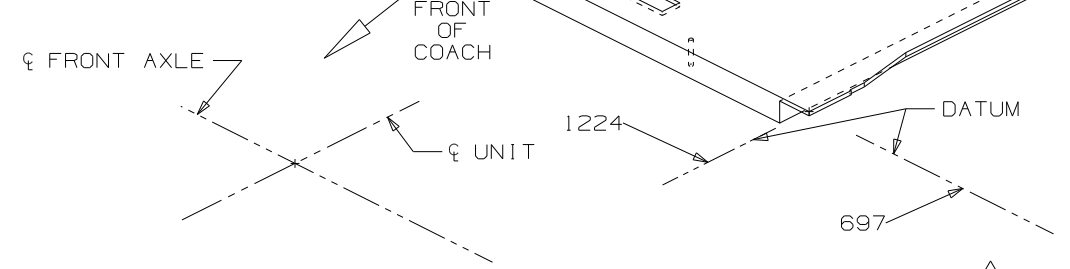
FIRST USED	02 D27C
TITLE	DO NOT SCALE DRAWING
SHEET 3	PART NO 137792

DWG NO	----
137791-01	RH SHOWN
137791-02	LH OPPOSITE

RELEASE	REV DATE	DWG NO	137791
REV ZONE	REVISION RECORD	DATE	DFTR-ORIG



- (611) MOTORAID & AUX. HEATER
- (1J4) W/O EXTERIOR WASH STATION
- (64R) EXTERIOR WASH STATION

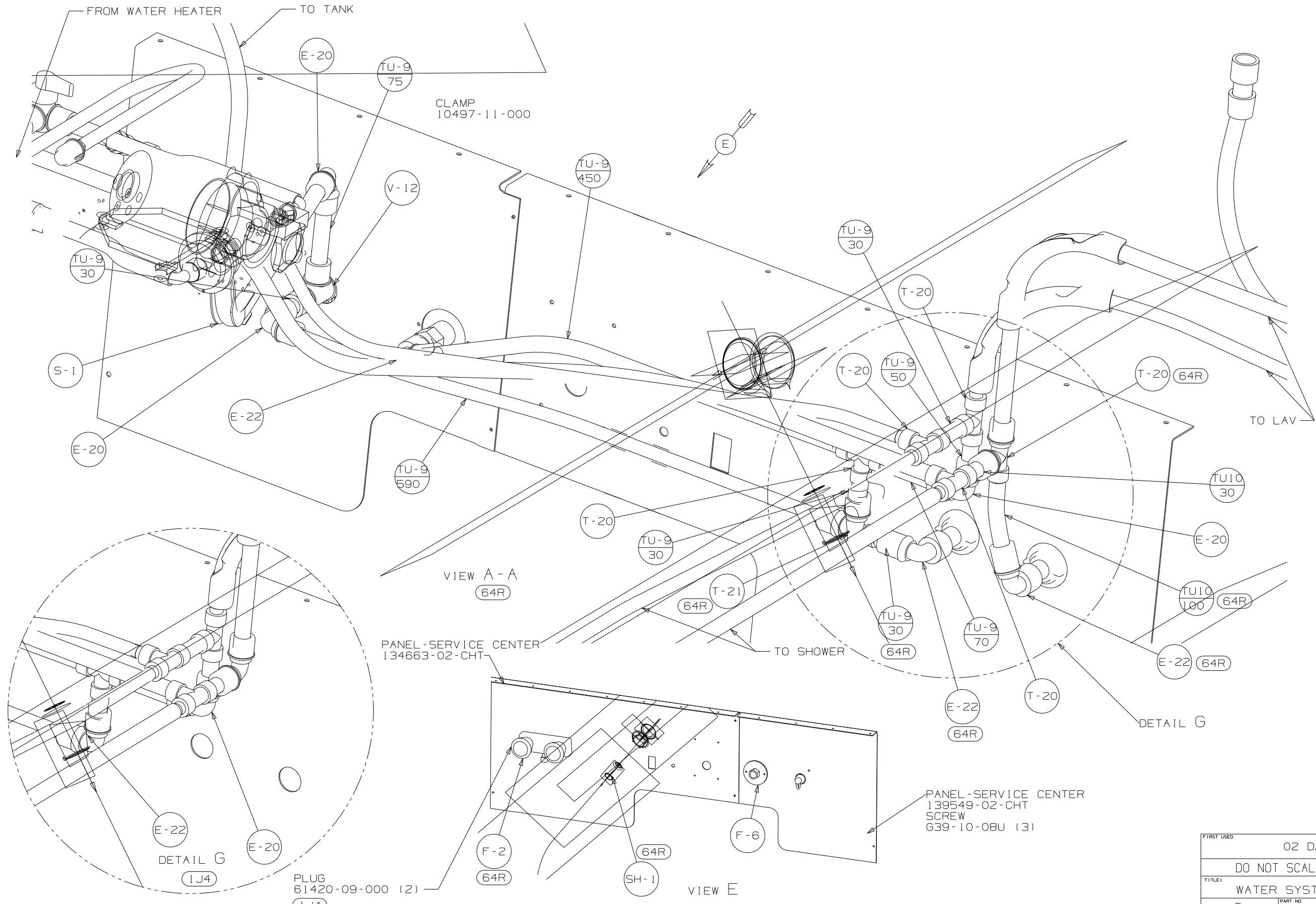


- NOTES:
1. PLASTIC FITTINGS TO BE SEALED WITH SEALANT 84456-01-000.
  2. TUBING TO BE INSTALLED WITH SUFFICIENT SLOPE TO PROVIDE DRAINAGE TO NEAREST VALVE.
  3. ALL TUBING TO BE SECURED AT 1200 INTERVALS MAXIMUM WITH CLAMP 10495-01-000 OR CLIP 9151-01-000 AND SCREW G67-10-12B.

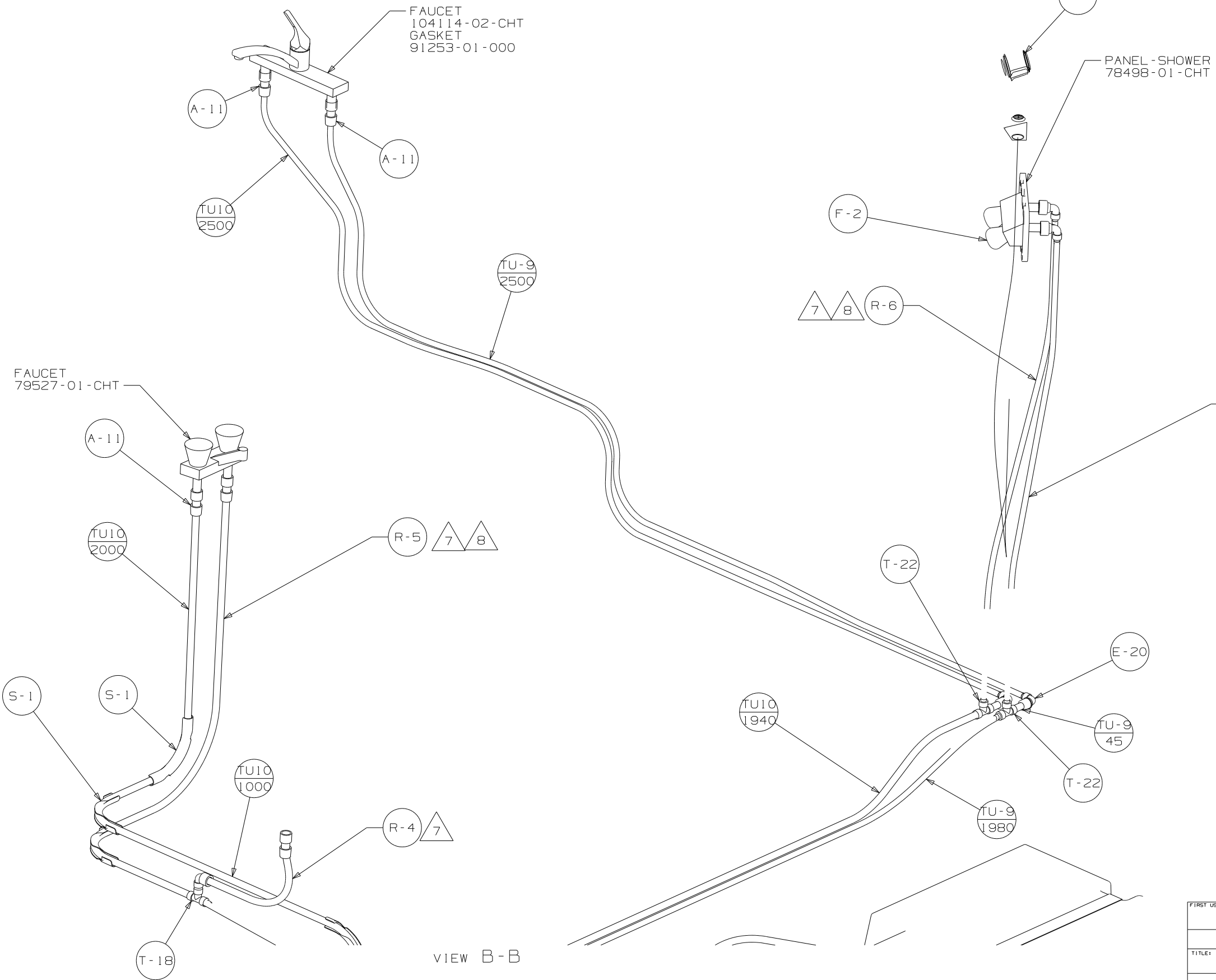
4. CLAMPS MUST BE ON BARBS.
5. ADD TEFLON TAPE 10405-02-000 TO FITTINGS.
6. ADD TEFLON TAPE 10405-03-000 TO FITTING.
7. TAPE FITTING TO TUBE BEFORE CABINET SET TO PREVENT FITTING FROM MOVING.
8. LABEL THE HOT AND COLD SUPPLY TUBES.

FOR WATER CALLOUTS SEE DWG NO 116230-01-000

<b>WINNEBAGO</b>		COPYRIGHT 2002 WINNEBAGO INDUSTRIES, INC.	
DFTR	ORIG. DATE	ALL DIMENSIONS ARE IN MILLIMETERS	
CHKR		FIRST USED	
P.E.		02 D27C	
M.E.		UNSPECIFIED TOLERANCES ARE:	
DSNR		MATERIAL:	
		WHOLE DIM (X)	: 3
		ONE-PLACE (X.X)	:
		TWO-PLACE (X.XX)	:
		ANGLE	:
THIRD ANGLE PROJECTION		DO NOT SCALE DRAWING	
TITLE: WATER SYSTEM INSTL			
SHEET 1 OF 5		PART NO 137791	
REF: 133304 1			

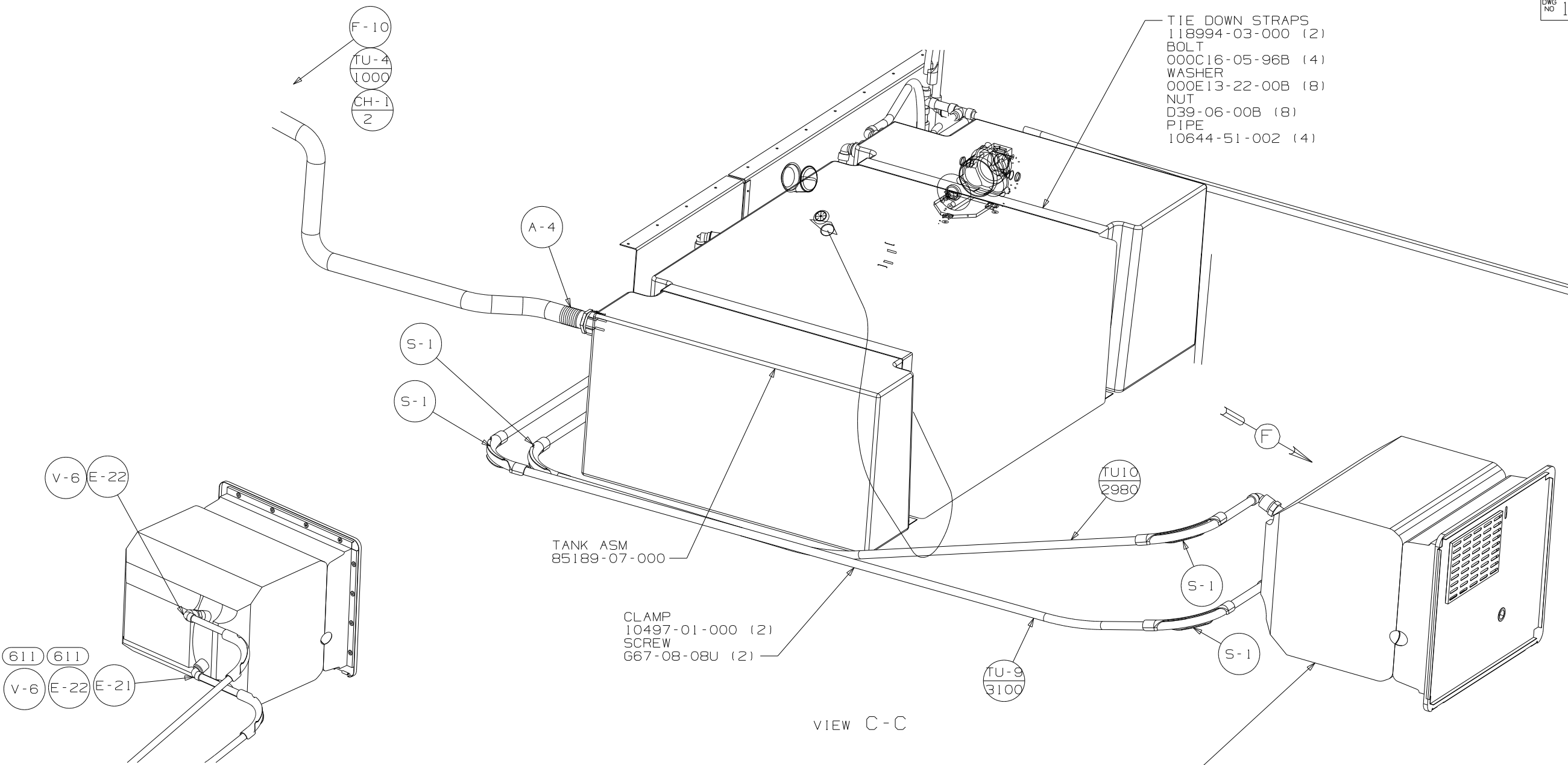


FIRST USED	02 D27C
DO NOT SCALE DRAWING	
TITLE	WATER SYSTEM INSTL
SHEET 2	PART NO 137791



VIEW B-B

FIRST USED	02 D27C
DO NOT SCALE DRAWING	
TITLE	WATER SYSTEM INSTL
SHEET 3	PART NO 137791



- TIE DOWN STRAPS  
118994-03-000 (2)
- BOLT  
000C16-05-96B (4)
- WASHER  
000E13-22-00B (8)
- NUT  
D39-06-00B (8)
- PIPE  
10644-51-002 (4)

TANK ASM  
85189-07-000

- CLAMP  
10497-01-000 (2)
- SCREW  
G67-08-08U (2)

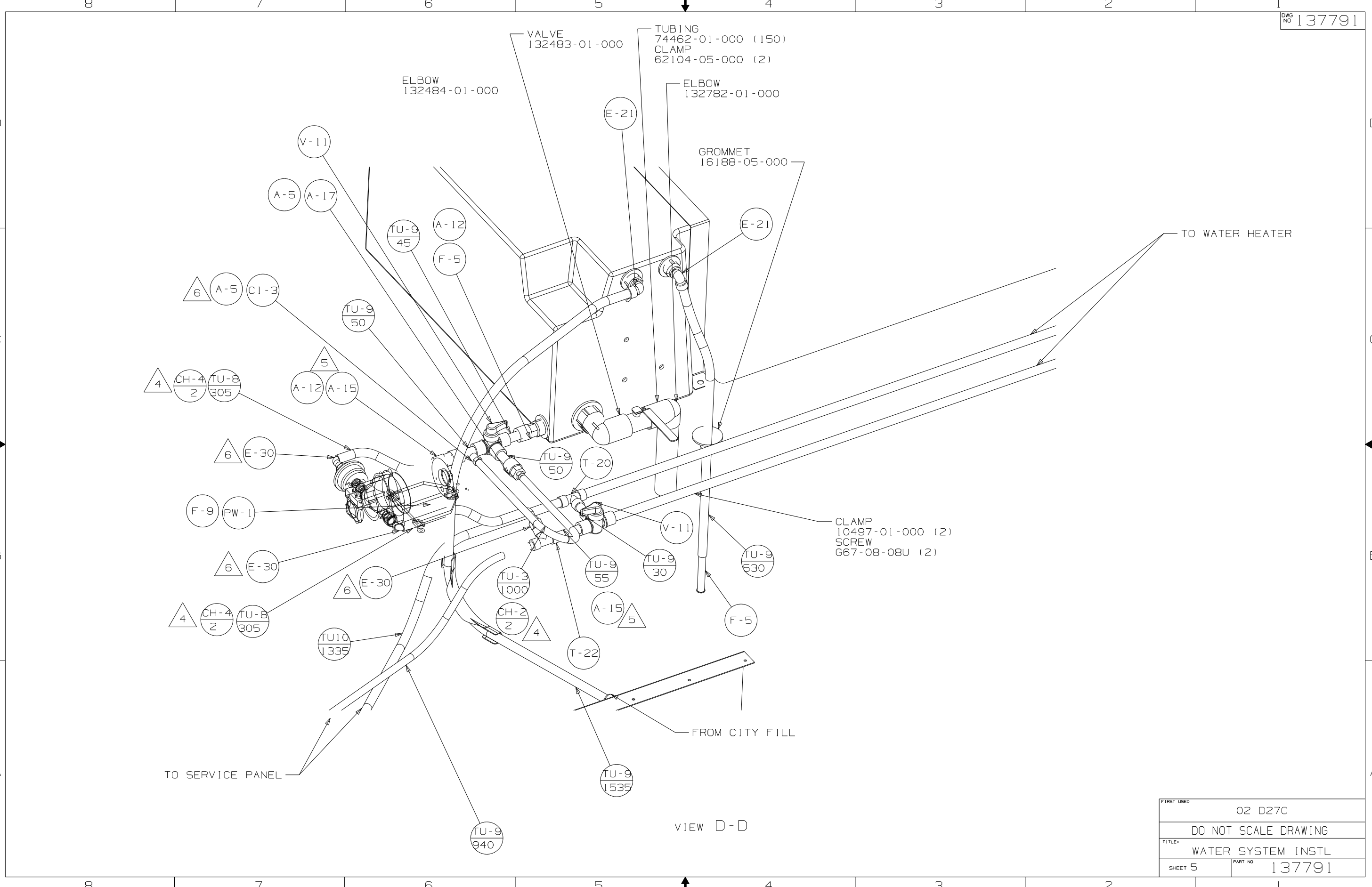
- WATER HEATER-6 GAL  
51391-03-000
- 51393-01-000
- DOOR  
52009-06-000
- SCREW  
G39-10-10T (16)
- LUMBER  
52372-D0-304 (2)
- AL EXTR  
2726-01-210
- 2726-01-212 (2)
- SCREW  
G39-10-169 (18)
- SEALANT

VIEW F-F

VIEW C-C

- 611 611
- V-6 E-22 E-21

FIRST USED	02 D27C
TITLE	DO NOT SCALE DRAWING
	WATER SYSTEM INSTL
SHEET 4	PART NO 137791



TO SERVICE PANEL

TO WATER HEATER

VIEW D-D

FROM CITY FILL

CLAMP  
10497-01-000 (2)  
SCREW  
G67-08-08U (2)

FIRST USED	02 D27C
TITLE	DO NOT SCALE DRAWING
	WATER SYSTEM INSTL
SHEET 5	PART NO 137791