



DANGER

Danger of electrical shock, burns or death. Always remove all power sources before attempting any repair, service or diagnostic work. Power can be present from shore power, generator, inverter or battery. All power sources must be disabled and secured before performing any service.

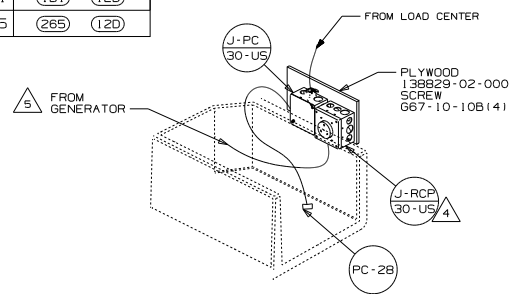


CAUTION

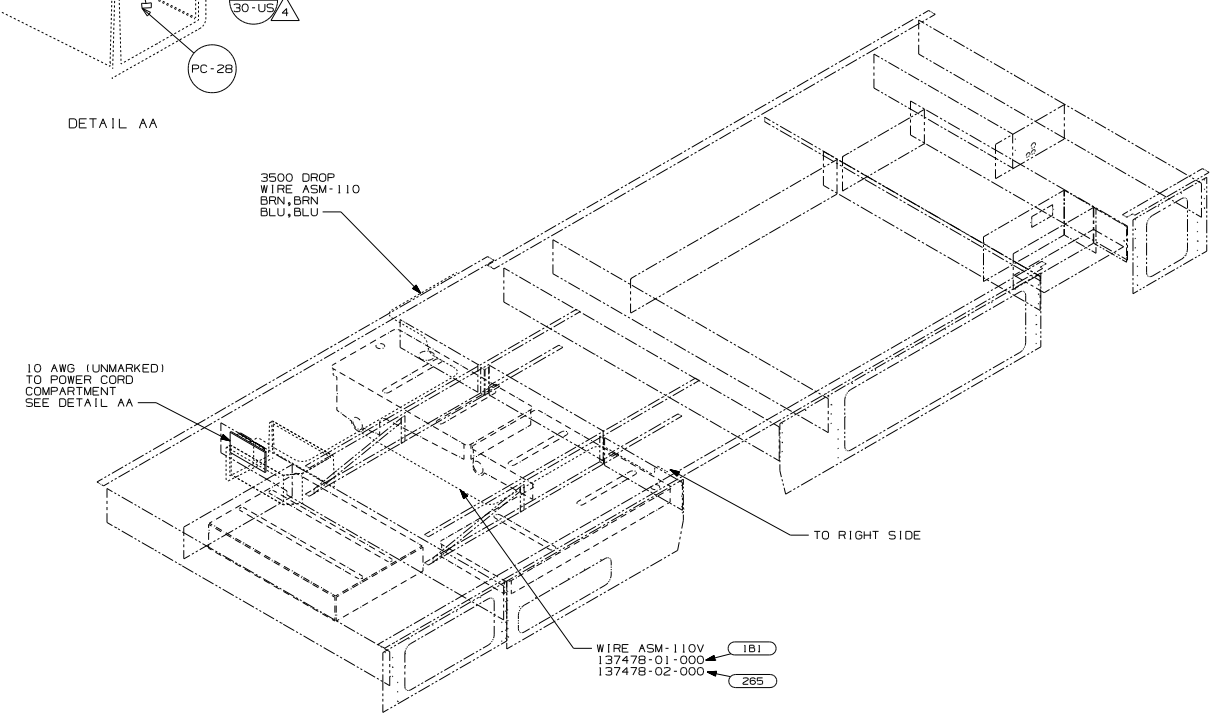
If you lack the skills, tools or equipment to perform diagnostic or repair work leave such work to an authorized Winnebago Industries dealer or other qualified shop.

DWG NO	FEATURE
139211-01	-----
139211-11	(1B1) (12D)
139211-15	(265) (12D)

PRELIMINARY
 RELEASE X 03--08--01
 DWG NO 139211
 REV ZONE REVISION RECORD DATE DTB-ORIS



DETAIL AA



- (265) CODES/STANDARDS CSA
 - (12D) ELECTRICAL SYSTEM-30 AMP
 - (1B1) CODES/STANDARDS USA
- (1B1) (265) (12D)

- 5 SEE GENERATOR INSTL FOR ADDITIONAL INFO.
- 4 INSTALL RECEPTACLE WITH GROUND OPENING TO THE OUTBOARD SIDE OF VEHICLE.
- 3 ALL GROUND WIRES TO BE COVERED WITH TUBING B041-02-000.
- 2 ALL WIRES TO BE SECURED WITHIN 200MM OF OUTLET BOXES
1. ALL WIRES TO BE SECURED WITH CLAMP 10495-01-000 OR CLIP B0734-01-000 EVERY 800MM. USE SCREW 667-10-12B UNLESS OTHER WISE SPECIFIED.

NOTES:

FOR ELECTRICAL TORQUE SPECIFICATIONS SEE DWG NO. 128783-01-000

FOR ELECTRICAL CALLOUTS SEE DWG NO. 121339-01-000



WINNEBAGO

DTB ORIS DATE 02/26/01
 DWB ALL DIMENSIONS ARE IN MILLIMETERS
 P.E.
 V.E. FIRST USED
 DWB 02 431C

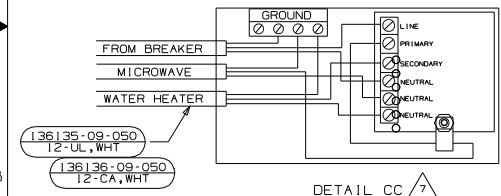
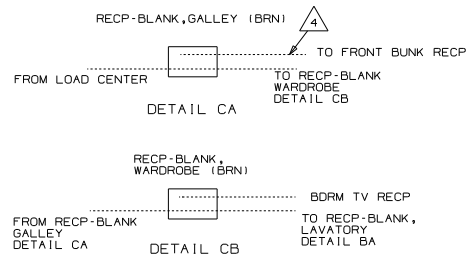
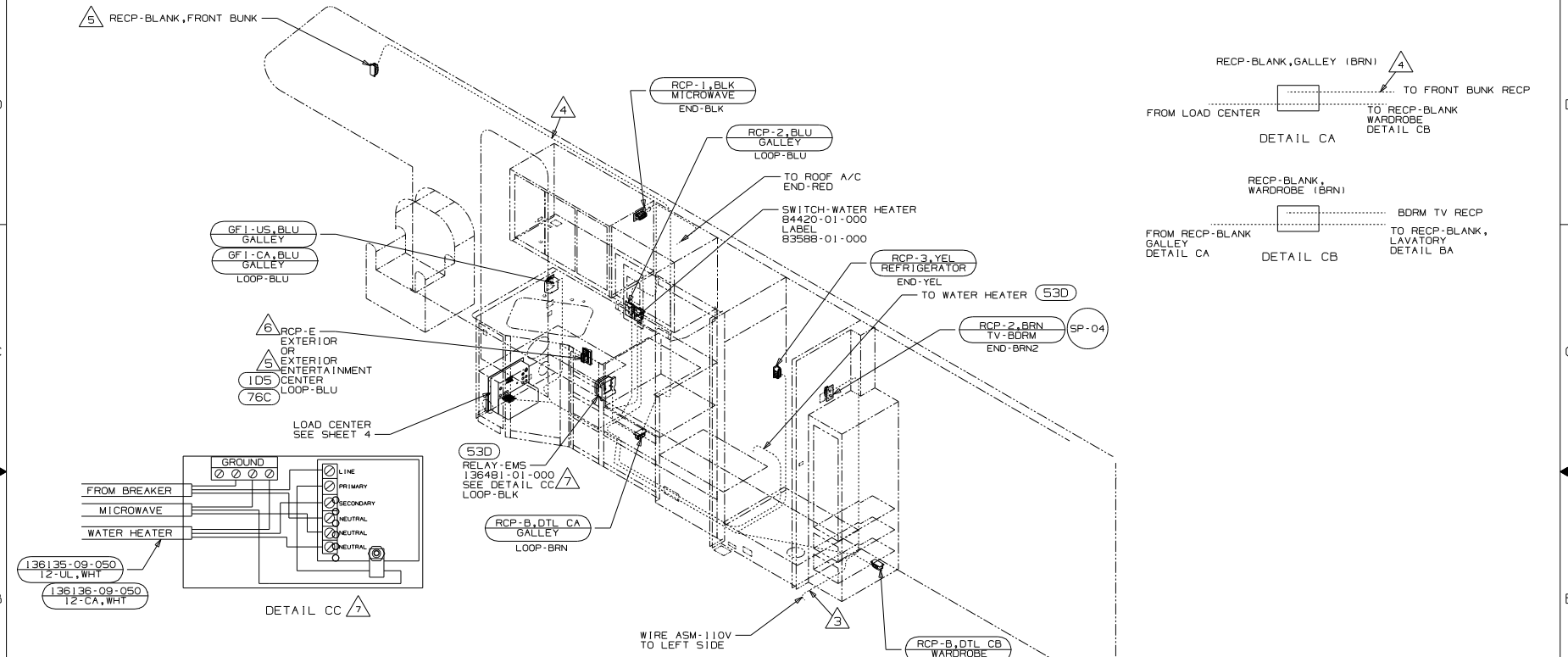
UNSPECIFIED TOLERANCES ARE:
 HOLE DIA (X) ± .1
 DR-PLACE (X,XX) ± .15
 HO-PLACE (X,XXX) ± 0.50
 HOLE ± .1"

MATERIAL:
 THIRD ANGLE PROJECTION

DO NOT SCALE DRAWING

TITLE: WIRING INSTL-BODY,110V
 SHEET 1 of 4 PART NO 139211

REF:135353 1 PAGE 240



- (42D) TV-25" W/ VIDEO SELECT
- (57W) DELUXE ENTERTAINMENT CENTER
- (78A) TV-13", W/VCP
- (76C) ENTERTAINMENT CENTER-EXTERIOR, W/CASS
- (53D) WATER HEATER, 6 GAL, 110V/LP/MTR/1D
- (265) CODES/STANDARDS-CSA/CMVSS
- (12D) ELECTRICAL SYSTEM-30A
- (1D5) ENTERTAINMENT CENTER-EXTERIOR, W/CD
- (1B1) CODES/STANDARDS-USA

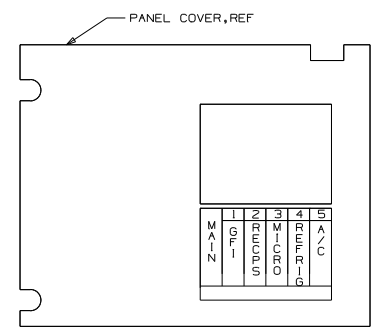
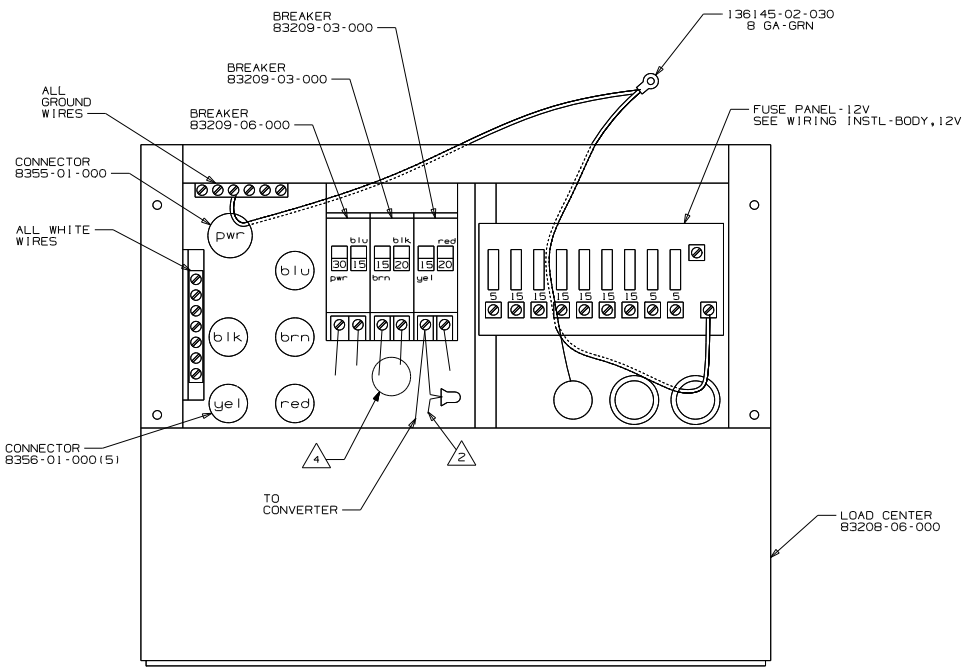
- △7 EMS RELAY IS WIRED IN TO BLACK CIRCUIT BY WIRE PREP.
 - △8 NOT USED WITH (1D5) (76C)
 - △5 SEE ENTERTAINMENT CENTER COMPLETE FOR ADDITIONAL INFORMATION.
 - △4 WIRES INTEGRAL TO SIDEWALL.
 - △3 ROUTE WIRES UNDER FLOOR.
- 2 ALL WIRES TO BE SECURED WITHIN 200MM OF OUTLET BOXES.
- 1 ALL WIRES TO BE SECURED WITH CLAMP 10495-01-000 OR CLIP 80734-01-000 EVERY 800MM. USE SCREW 667-10-12B UNLESS OTHERWISE SPECIFIED.

FOR ELECTRICAL CALLOUTS SEE DRAWING 121339-01-000

FOR ELECTRICAL SPECIFICATIONS SEE DRAWING 128783-01-000

(1B1) (265) (12D)

FIRST USED	02 431C
DO NOT SCALE DRAWING	
TITLE:	WIRING INSTL-BODY, 110V(RH)
SHEET 3	PART NO 139211



- △ 4 ATTACH WIRE TO BACK SIDE OF LOAD CENTER WITH WIRE TIE 116673-01-000
 - 3. SEE WIRING DIAGRAM-BODY, 110V FOR CIRCUIT LAYOUTS
 - △ 2 MAKE CONNECTION TO PROVIDED CONVERTER LEAD WITH SUPPLIED WIRE NUT CONNECTOR.
 - 1. COVER ALL GROUND WIRES WITH TUBING 8041-02-000.
- notes:

- (265) CODES/STANDARDS-CSA/CMVSS
- (12D) ELECTRICAL SYSTEM-30 AMP
- (1B1) CODES/STANDARDS-US
- (1B1) (12D) (265)

FOR ELECTRICAL CALLOUTS SEE DRAWING 121339-01-000

FOR ELECTRICAL TORQUE SPECIFICATIONS SEE DRAWING 128783-01-000

FIRST USED	02 431C
DO NOT SCALE DRAWING	
TITLE:	WIRING INSTL-BODY, 110V(LC)
SHEET 4	PART NO 139211