

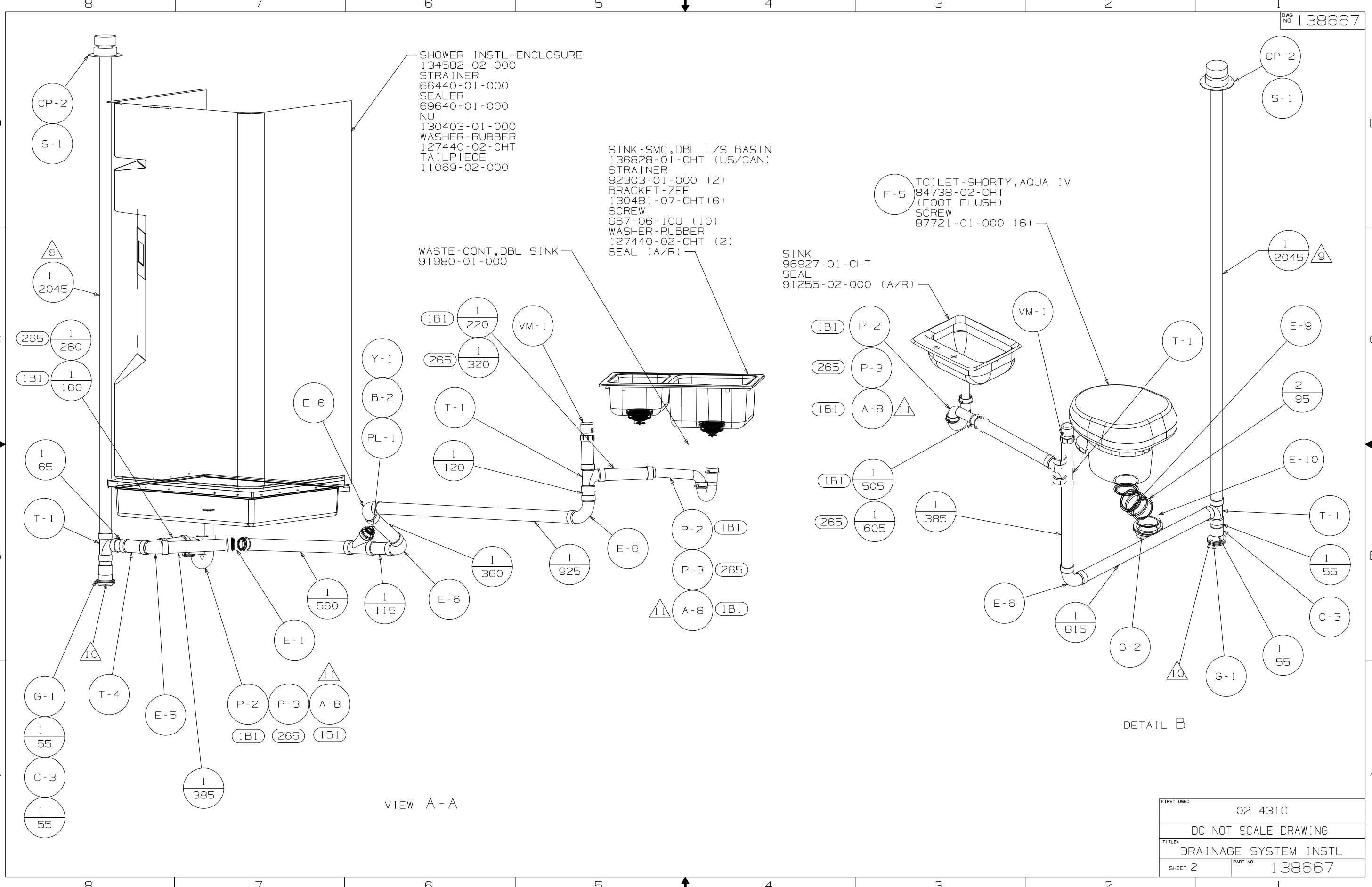
- 11 TRIM P-TRAP EXTENSION TO FIT.
- 10 SECURE VENT TUBES TO FLOOR WITH BRACKET 95061-01-000 (2), CLAMP 62401-02-000 AND SCREW G67-10-12B (2).
- 9 VENT PIPE MUST PROJECT 51 MM MIN AND 64 MM MAX ABOVE ROOF FOR PROPER FIT AND FUNCTION.
- 8. SEE DRAWING 61607-01-000 FOR INSTL OF GROMMETS.
- 7. SEAL ALL AROUND SHOWER WITH SILICONE.
- 6. FOR CANADIAN UNITS EACH HOLDING TANK SHALL HAVE A CSA APPROVAL STAMPED NEAR THE IAMPO APPROVAL.
- 5. SECURE PIPES TO CABINET USING WIRE TIE 108046-02-000 AND SCREW G67-10-12B (8).
- 4. ALL EXTERIOR OPENINGS AROUND PIPE TO BE SEALED WITH 110744-01-000.
- 3. ALL PIPE AND FITTINGS TO BE ASSEMBLED WITH SOLVENT 4020-01-000.
- 2. SLOPE OF TRAP ARM MUST BE 6 PER 305.
- 1. SLOPE OF HORIZONTAL PIPING TO BE 6 PER 305 MIN.

NOTES:

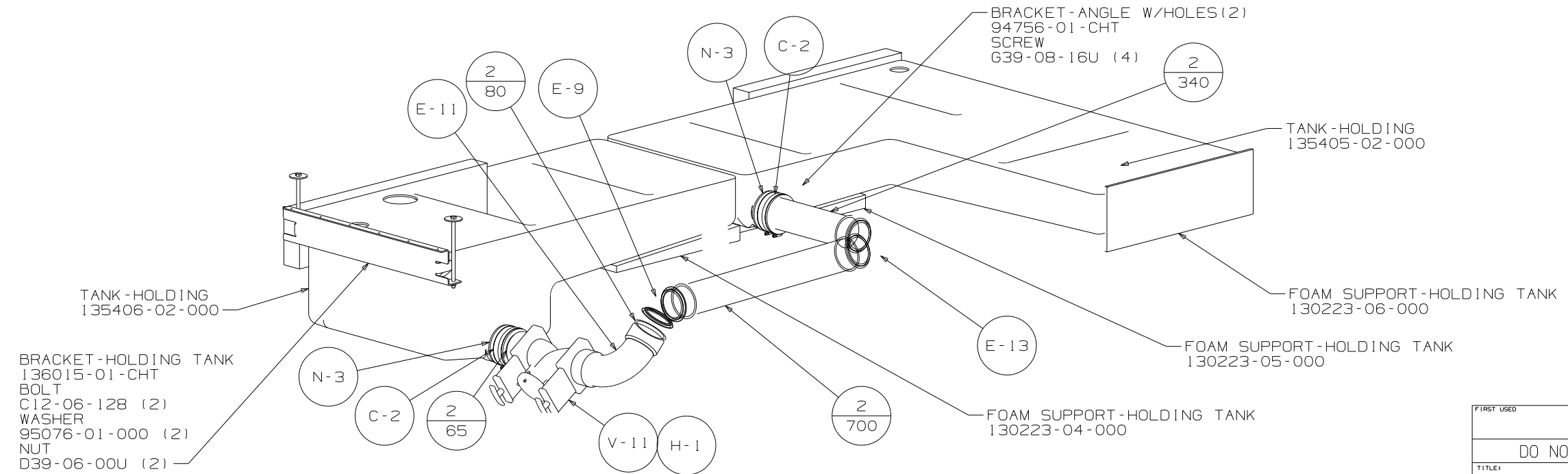
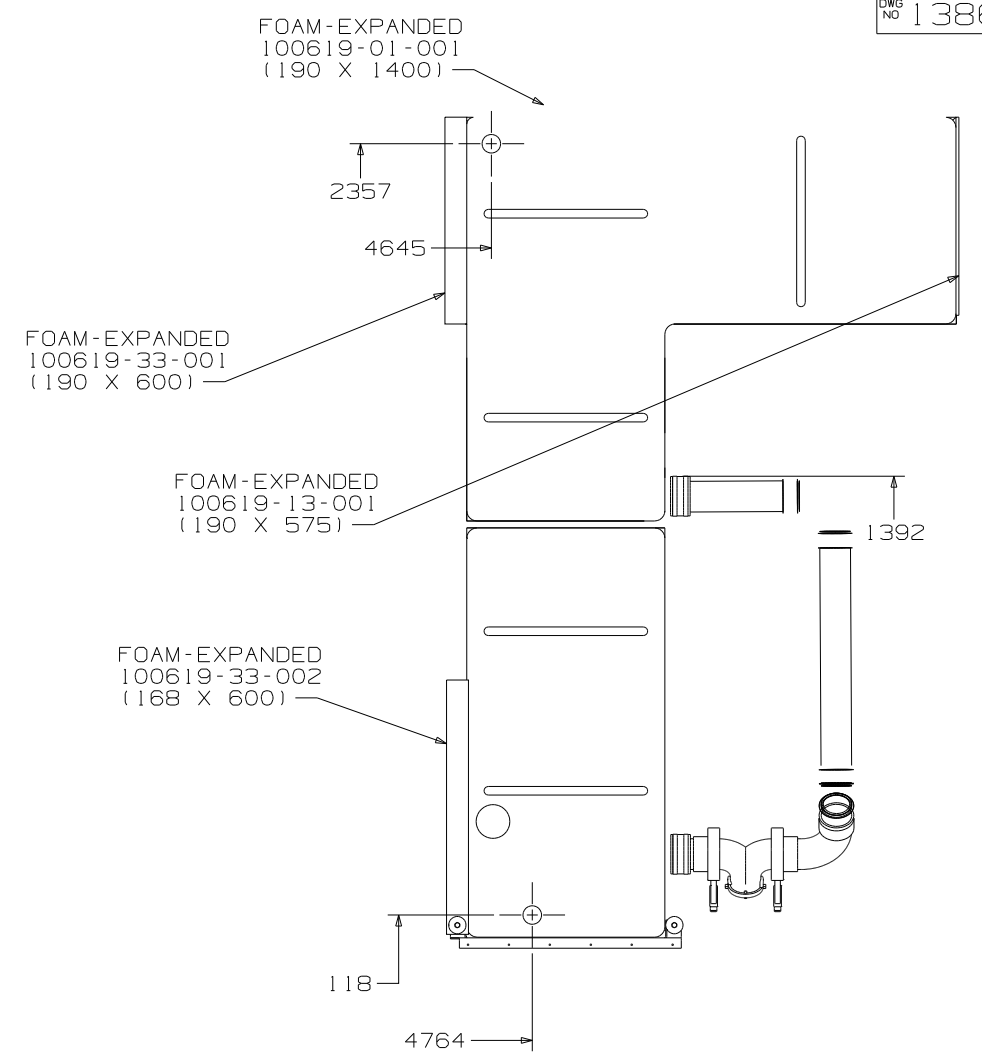
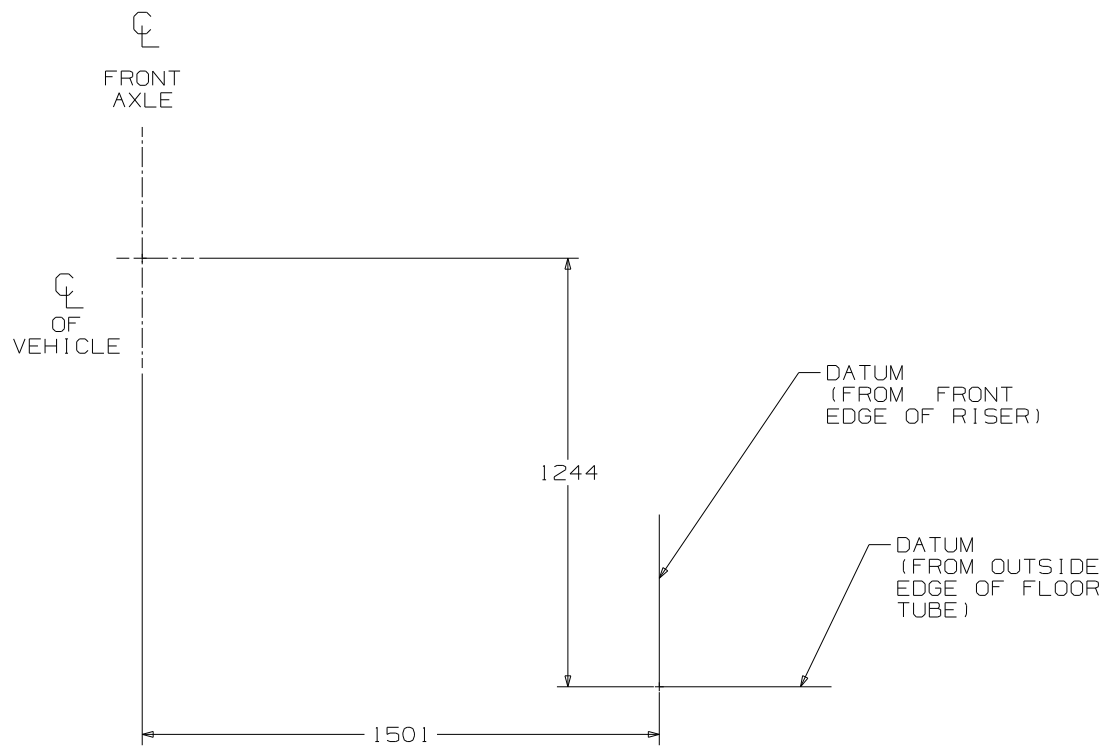
265 CODES/STDS-CSA/CMVSS
 1B1 CODES/STANDARDS-USA

WINNEBAGO		COPYRIGHT 2002 WINNEBAGO INDUSTRIES, INC.	
DFTR	ORIG. DATE	ALL DIMENSIONS ARE IN MILLIMETERS	
CHKR		FIRST USED	
P.E.		02 431C	
M.E.		UNSPECIFIED TOLERANCES ARE:	
DSNR		MATERIAL:	
		WHOLE DIM (X) :	3
		ONE-PLACE (X.X) :	
		TWO-PLACE (X.XX) :	
		ANGLE :	
		THIRD ANGLE PROJECTION	
DO NOT SCALE DRAWING			
TITLE: DRAINAGE SYSTEM INSTL			
SHEET 1 OF 3		PART NO 138667	

(X-X)
 FOR
 DRAINAGE
 CALLOUTS
 SEE DWG NO
 116229-01-000

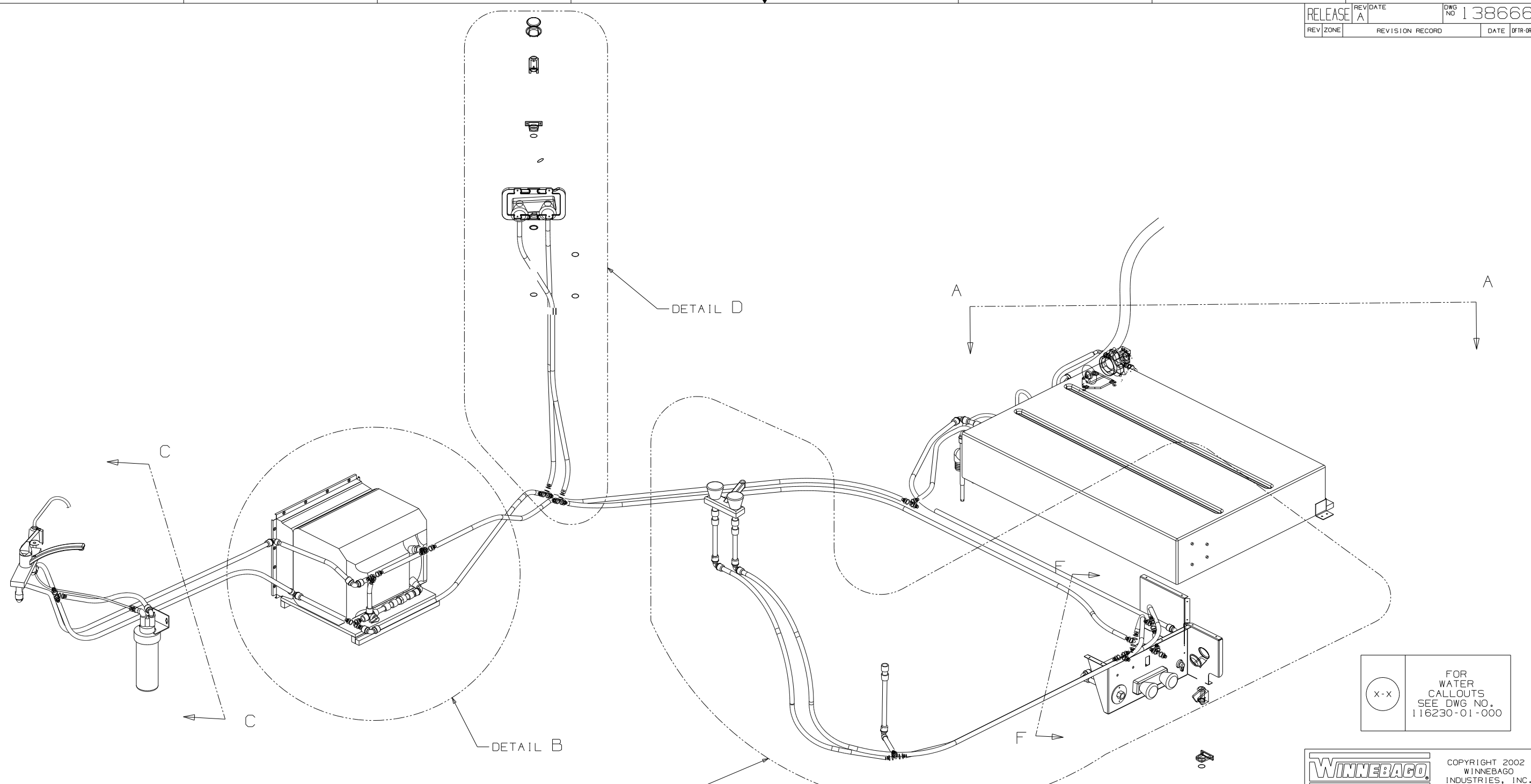


FIRST USED	02 431C
DO NOT SCALE DRAWING	
TITLE	DRAINAGE SYSTEM INSTL
SHEET 2	PART NO 138667



VIEW C-C

FIRST USED	02 431C
DO NOT SCALE DRAWING	
TITLE	DRAINAGE SYSTEM INSTL
SHEET 3	PART NO 138667



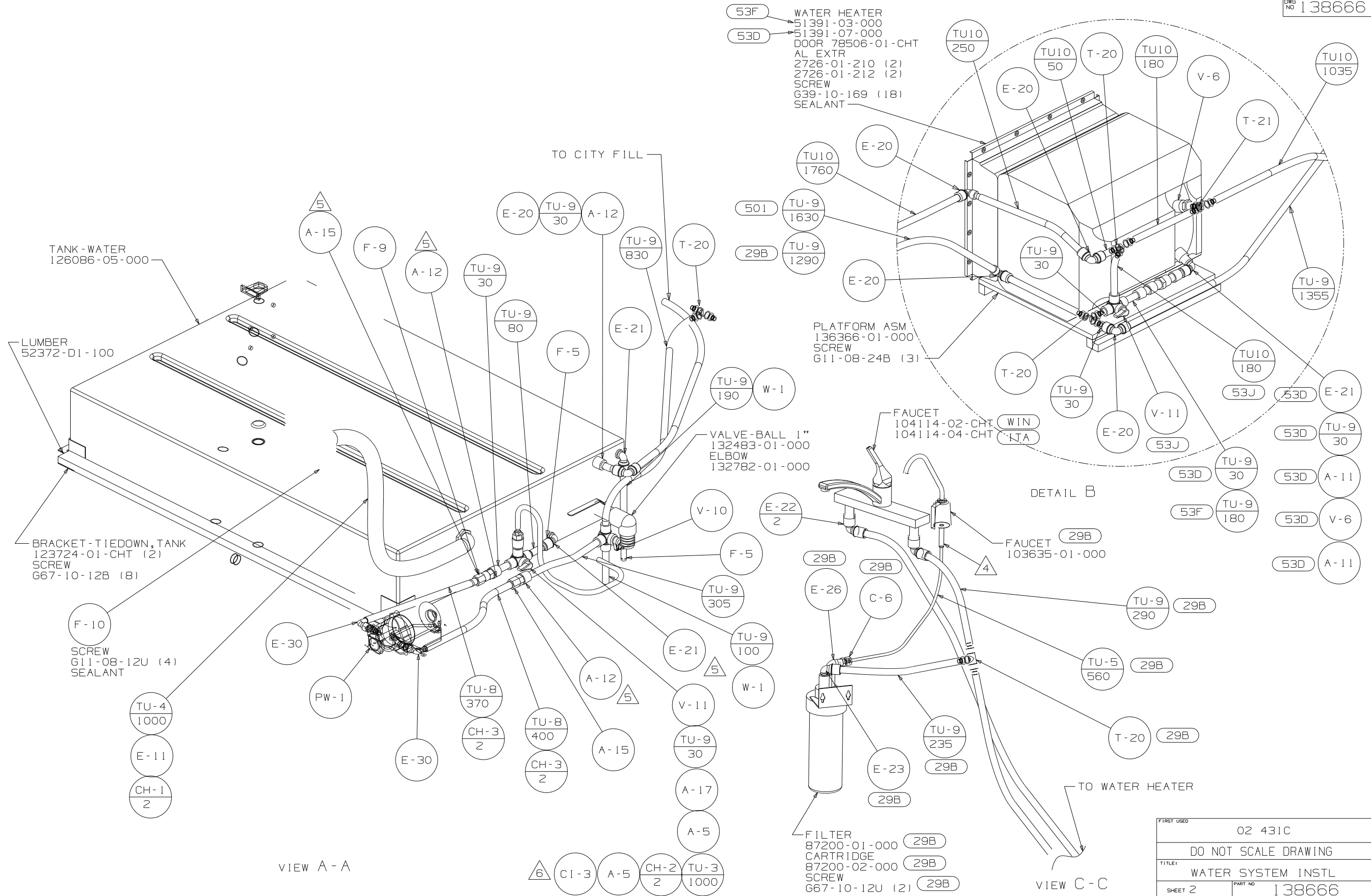
- NOTES:
1. PLASTIC FITTINGS TO BE SEALED WITH SEALANT 84456-01-000.
 2. TUBING TO BE INSTALLED WITH SUFFICIENT SLOPE TO PROVIDE DRAINAGE TO NEAREST VALVE.
 3. ALL TUBING TO BE SECURED AT 1200 INTERVALS MAX WITH CLAMP 10495-01-000 OR CLIP 91951-01-000 AND SCREW G67-10-12B.
 4. USE DETAIL G IN THIS AREA (BOTH ENDS OF TUBE).
 5. ADD TEFLON TAPE 10405-02-000 TO FITTING.
 6. ADD TEFLON TAPE 10405-03-000 TO FITTING.

- (WIN) WINNEBAGO
- (ITA) ITASCA
- (53J) WATER HEATER BY-PASS VALVE

- (53F) WATER HEATER-ELEC IGN
- (53D) WATER HEATER-6 GAL/ELEC/6P/MTR AID
- (50I) WATER PURIFIER-W/O
- (29B) WATER PURIFIER

WINNEBAGO		COPYRIGHT 2002 WINNEBAGO INDUSTRIES, INC.	
DFT	ORIG. DATE	ALL DIMENSIONS ARE IN MILLIMETERS	
CHKR		FIRST USED	
P.E.		02 431C	
M.E.		UNSPECIFIED TOLERANCES ARE:	
DSNR		MATERIAL:	
		WHOLE DIM (X)	:
		ONE-PLACE (X.X)	:
		TWO-PLACE (X.XX)	:
		ANGLE	:
THIRD ANGLE PROJECTION			
DO NOT SCALE DRAWING			
TITLE: WATER SYSTEM INSTL			
SHEET 1 OF 3	PART NO	138666	
REF: 135570 1			

- 53F WATER HEATER
51391-03-000
- 53D 51391-07-000
DOOR 78506-01-CHT
AL EXTR
2726-01-210 (2)
2726-01-212 (2)
SCREW
639-10-169 (18)
SEALANT



TANK - WATER
126086-05-000

LUMBER
52372-D1-100

BRACKET-TIEDOWN, TANK
123724-01-CHT (2)
SCREW
667-10-12B (8)

F-10
SCREW
611-08-12U (4)
SEALANT

VIEW A-A

TO CITY FILL

PLATFORM ASM
136366-01-000
SCREW
611-08-24B (3)

VALVE-BALL 1"
132483-01-000
ELBOW
132782-01-000

FAUCET
104114-02-CHT
104114-04-CHT

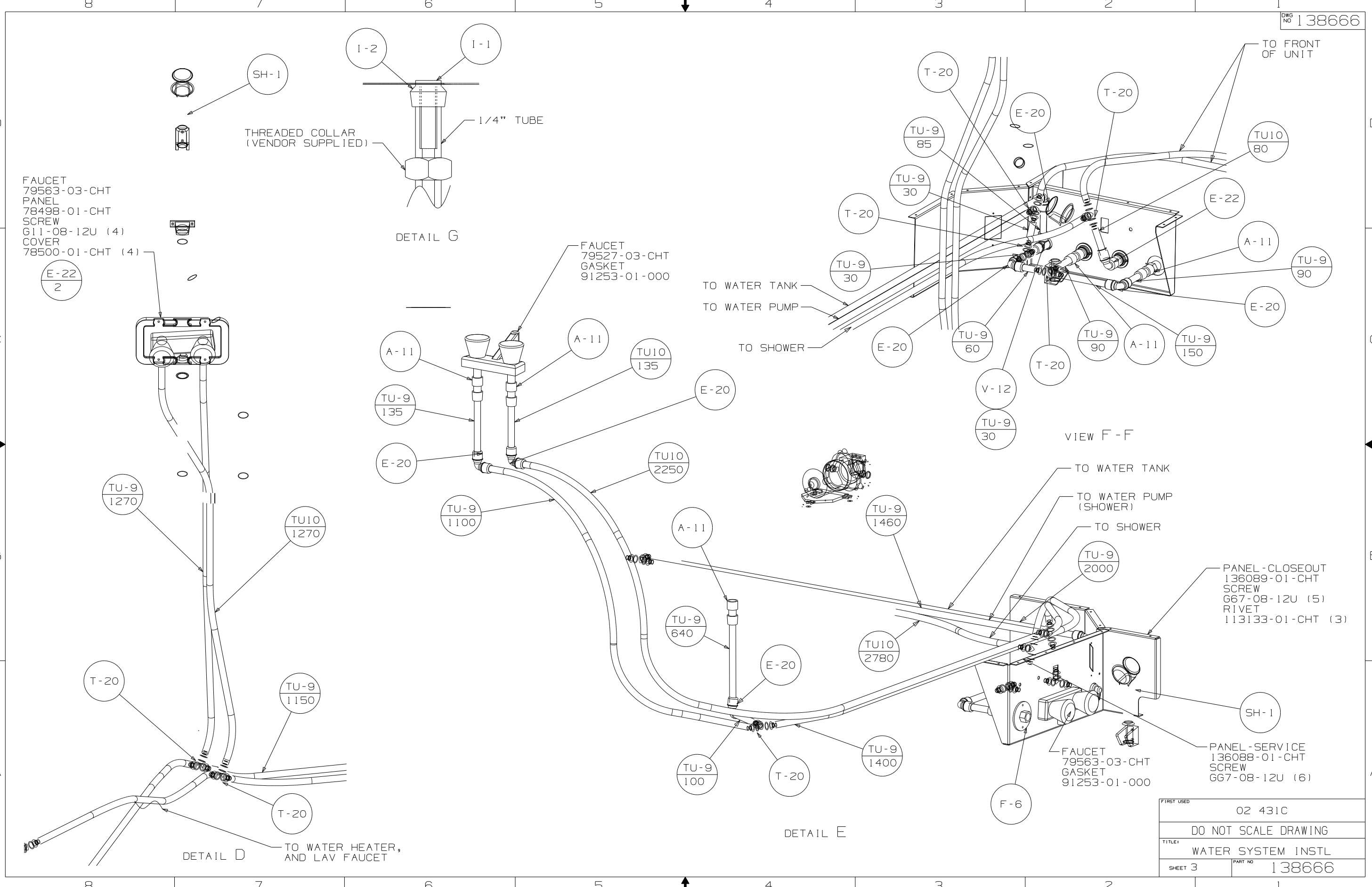
DETAIL B

FAUCET
103635-01-000

FILTER
87200-01-000
CARTRIDGE
87200-02-000
SCREW
667-10-12U (2)

VIEW C-C

FIRST USED	02 431C
TITLE	DO NOT SCALE DRAWING
TITLE	WATER SYSTEM INSTL
SHEET 2	PART NO 138666



FAUCET
79563-03-CHT
PANEL
78498-01-CHT
SCREW
G11-08-12U (4)
COVER
78500-01-CHT (4)

FAUCET
79527-03-CHT
GASKET
91253-01-000

PANEL-CLOSEOUT
136089-01-CHT
SCREW
G67-08-12U (5)
RIVET
113133-01-CHT (3)

PANEL-SERVICE
136088-01-CHT
SCREW
G67-08-12U (6)

FIRST USED	02 431C
TITLE	DO NOT SCALE DRAWING
SHEET 3	PART NO 138666