

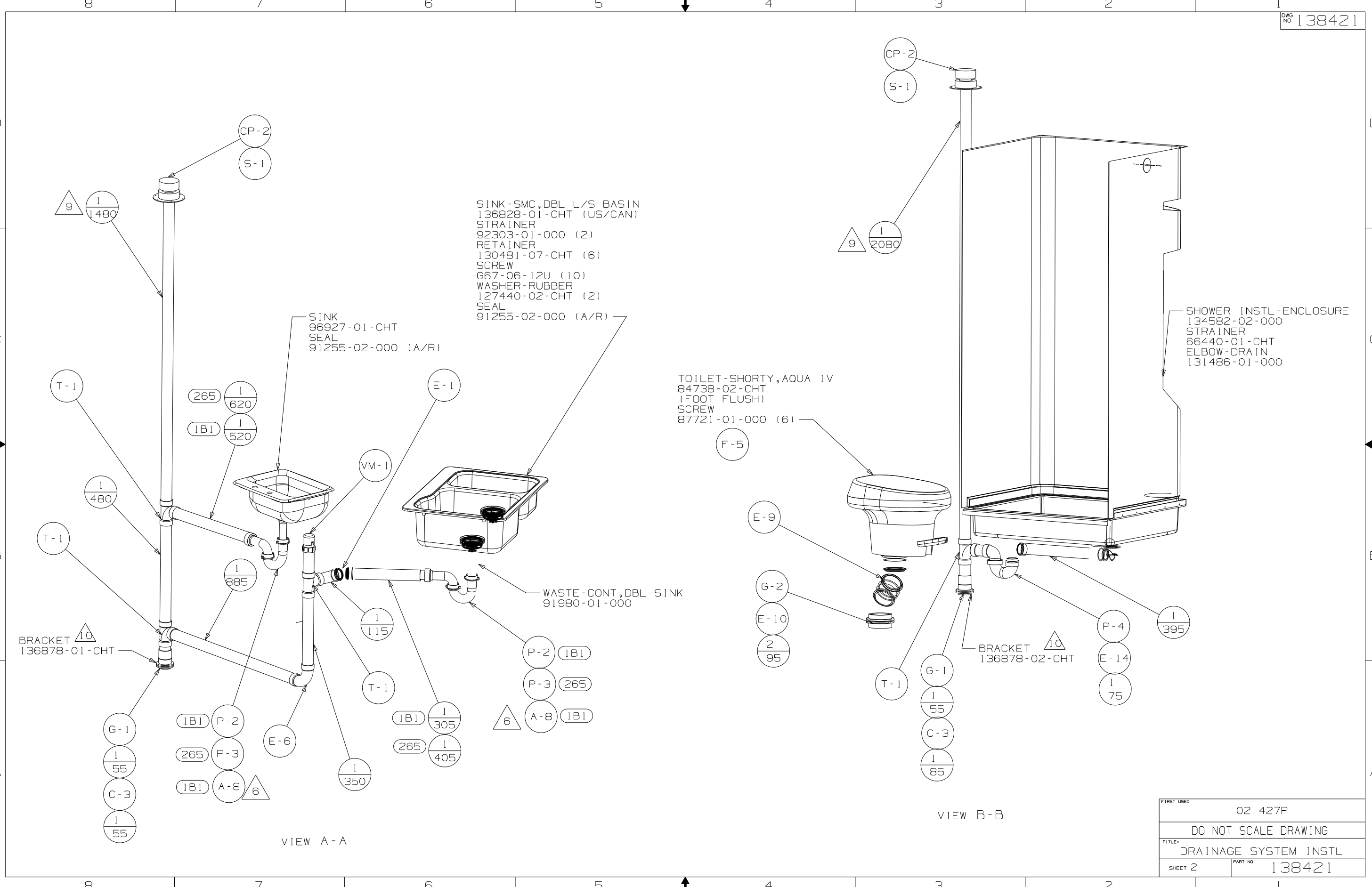
- 10. SECURE VENT TUBES TO FLOOR WITH CLAMP 62401-02-000 (2) AND SCREW G67-10-12B (2).
- 9. VENT PIPE MUST PROJECT 51 MM MIN AND 64 MM MAX ABOVE ROOF FOR PROPER FIT AND FUNCTION.
- 8. SEE DRAWING 61607-01-000 FOR INSTL OF GROMMETS.
- 7. SEAL ALL AROUND SHOWER SITH SILICONE.
- 6. TRIM P-TRAP EXTENSION TO FIT.
- 5. SECURE PIPES TO CABINET USING WIRE TIE 108046-02-000 AND SCREW G67-10-12B (8).
- 4. ALL EXTERIOR OPENINGS AROUND PIPE TO BE SEALED WITH 110744-01-000.
- 3. ALL PIPE AND FITTINGS TO BE ASSEMBLED WITH SOLVENT 4020-01-000.
- 2. SLOPE OF TRAP ARM MUST BE 6 PER 305.
- 1. SLOPE OF HORIZONTAL PIPING TO BE 6 PER 305 MIN.

NOTES:

(1B1) CODES/STANDARDS USA
 (265) CODES/STANDARDS-CSA/CMVSS

WINNEBAGO		COPYRIGHT 2002 WINNEBAGO INDUSTRIES, INC.	
DFTR	ORIG. DATE	ALL DIMENSIONS ARE IN MILLIMETERS	
CHKR		FIRST USED	
P.E.		02 427P	
M.E.		UNSPECIFIED TOLERANCES ARE:	
DSNR		MATERIAL:	
		WHOLE DIM (X)	: 3
		ONE-PLACE (X.X)	:
		TWO-PLACE (X.XX)	:
		ANGLE	:
		THIRD ANGLE PROJECTION	⊕
DO NOT SCALE DRAWING			
TITLE: DRAINAGE SYSTEM INSTL			
SHEET 1 OF 3	PART NO	138421	

(X-X)
 FOR
 DRAINAGE
 CALLOUTS
 SEE DWG NO
 116229-01-000



SINK-SMC, DBL L/S BASIN
 136828-01-CHT (US/CAN)
 STRAINER
 92303-01-000 (2)
 RETAINER
 130481-07-CHT (6)
 SCREW
 G67-06-12U (10)
 WASHER-RUBBER
 127440-02-CHT (2)
 SEAL
 91255-02-000 (A/R)

SINK
 96927-01-CHT
 SEAL
 91255-02-000 (A/R)

TOILET-SHORTY, AQUA IV
 84738-02-CHT
 (FOOT FLUSH)
 SCREW
 87721-01-000 (6)

SHOWER INSTL-ENCLOSURE
 134582-02-000
 STRAINER
 66440-01-CHT
 ELBOW-DRAIN
 131486-01-000

WASTE-CONT, DBL SINK
 91980-01-000

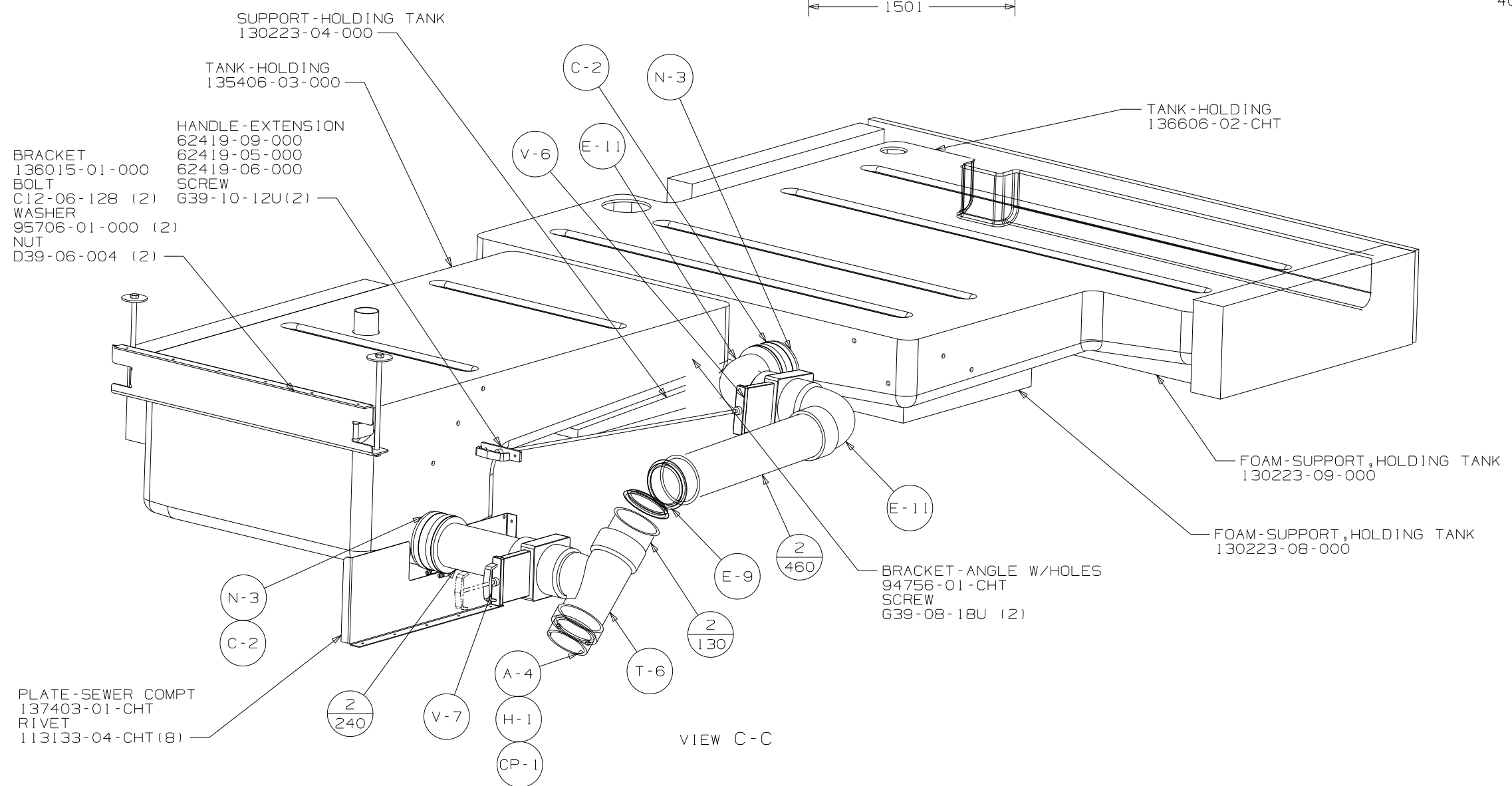
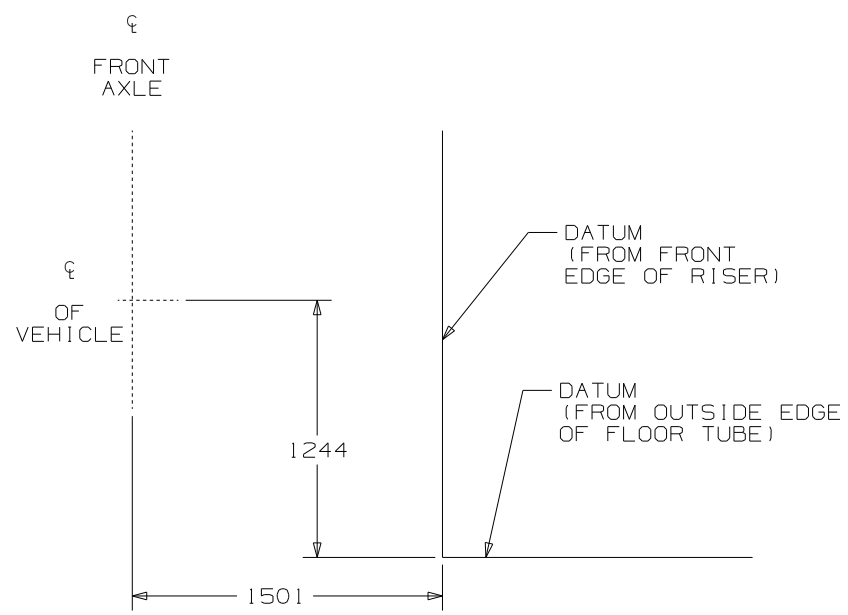
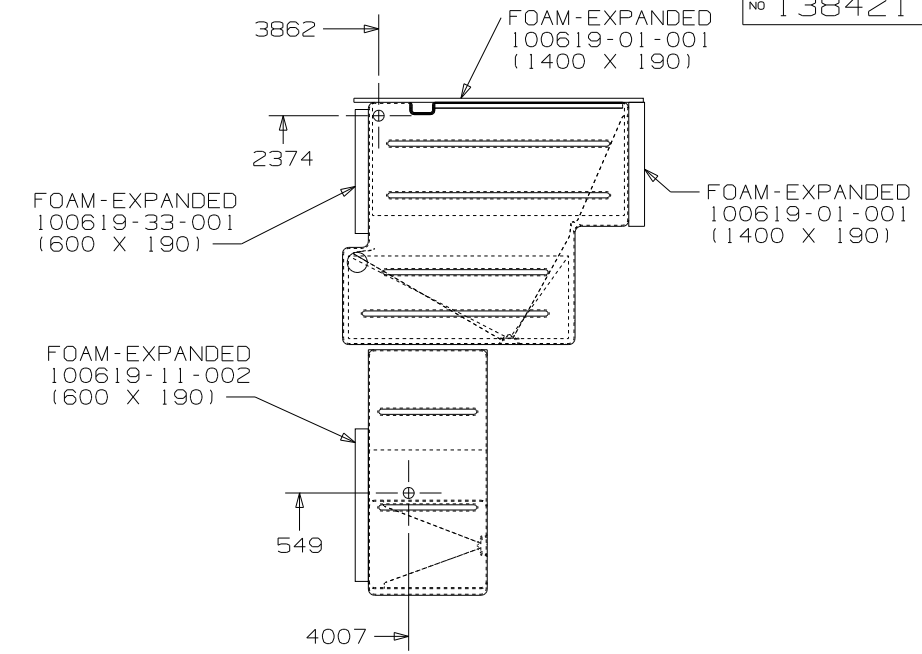
BRACKET
 136878-01-CHT

BRACKET
 136878-02-CHT

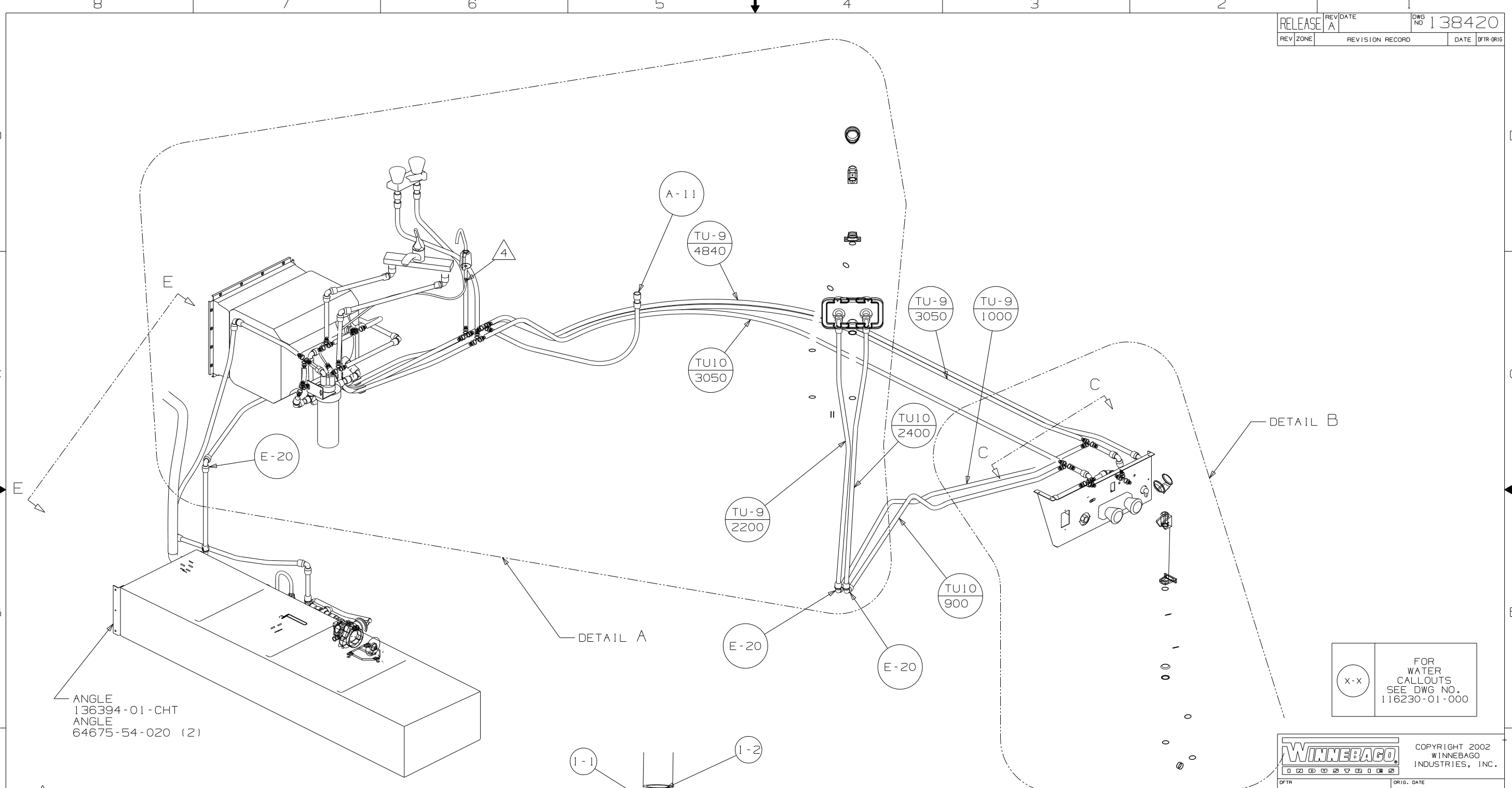
VIEW A-A

VIEW B-B

FIRST USED	02 427P
DO NOT SCALE DRAWING	
TITLE	DRAINAGE SYSTEM INSTL
SHEET 2	PART NO 138421

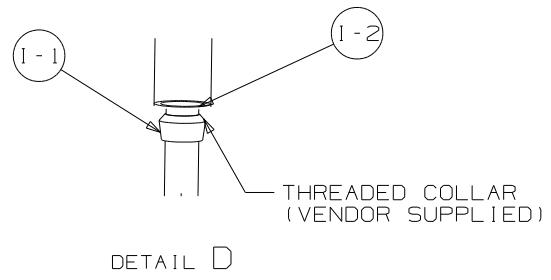


FIRST USED	02 427P
DO NOT SCALE DRAWING	
TITLE	DRAINAGE SYSTEM INSTL
SHEET 3	PART NO 138421



ANGLE
136394-01-CHT
ANGLE
64675-54-020 (2)

- NOTES:
1. PLASTIC FITTINGS TO BE SEALED WITH SEALANT 84456-01-000.
 2. TUBING TO BE INSTALLED WITH SUFFICIENT SLOPE TO PROVIDE DRAINAGE TO NEAREST VALVE.
 3. ALL TUBING TO BE SECURED AT 1200 INTERVALS MAX WITH CLAMP 10495-01-000 OR CLIP 91951-01-000 AND SCREW G67-10-12B.
 4. USE DETAIL D IN THIS AREA (BOTH ENDS OF TUBE).
 5. ADD TEFLON TAPE 1045-02-000 TO FITTING.
 6. ADD TEFLON TAPE 10405-03-000 TO FITTING.



- (ITA) ITASCA
- (WIN) WINNEBAGO
- (64R) EXTERIOR WASH STATION
- (53F) WATER HEATER-ELEC IGN
- (53D) WATER HEATER-6 GAL/ELEC/LP/MTR AID
- (50I) WATER PURIFIER-W/O
- (29B) WATER PURIFIER

(X-X)
FOR WATER CALLOUTS SEE DWG NO. 116230-01-000

WINNEBAGO		COPYRIGHT 2002 WINNEBAGO INDUSTRIES, INC.	
DFTR	ORIG. DATE	ALL DIMENSIONS ARE IN MILLIMETERS	
CHKR		FIRST USED	
P.E.		02 427P	
M.E.		UNSPECIFIED TOLERANCES ARE:	
DSNR		MATERIAL:	
THIRD ANGLE PROJECTION		HOLE DIM (X) :	
		ONE-PLACE (X.X) :	
		TWO-PLACE (X.XX) :	
		ANGLE :	
DO NOT SCALE DRAWING			
TITLE: WATER SYSTEM INSTL			
SHEET 1 OF 3		PART NO 138420	
REF: 136205 1			

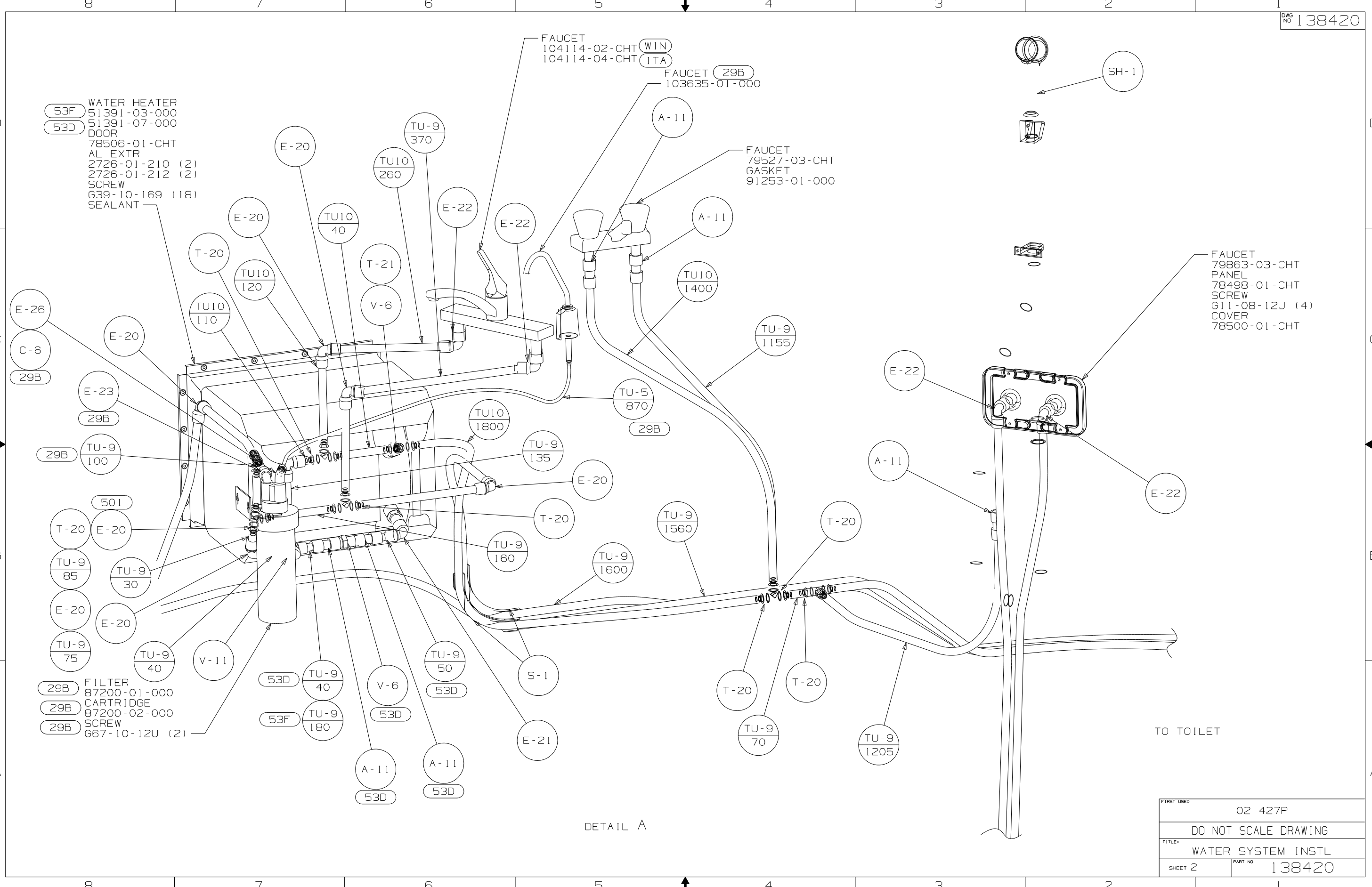
53F WATER HEATER
51391-03-000
53D 51391-07-000
DOOR
78506-01-CHT
AL EXTR
2726-01-210 (2)
2726-01-212 (2)
SCREW
639-10-169 (18)
SEALANT

FAUCET
104114-02-CHT (WIN)
104114-04-CHT (ITA)
FAUCET (29B)
103635-01-000

FAUCET
79527-03-CHT
GASKET
91253-01-000

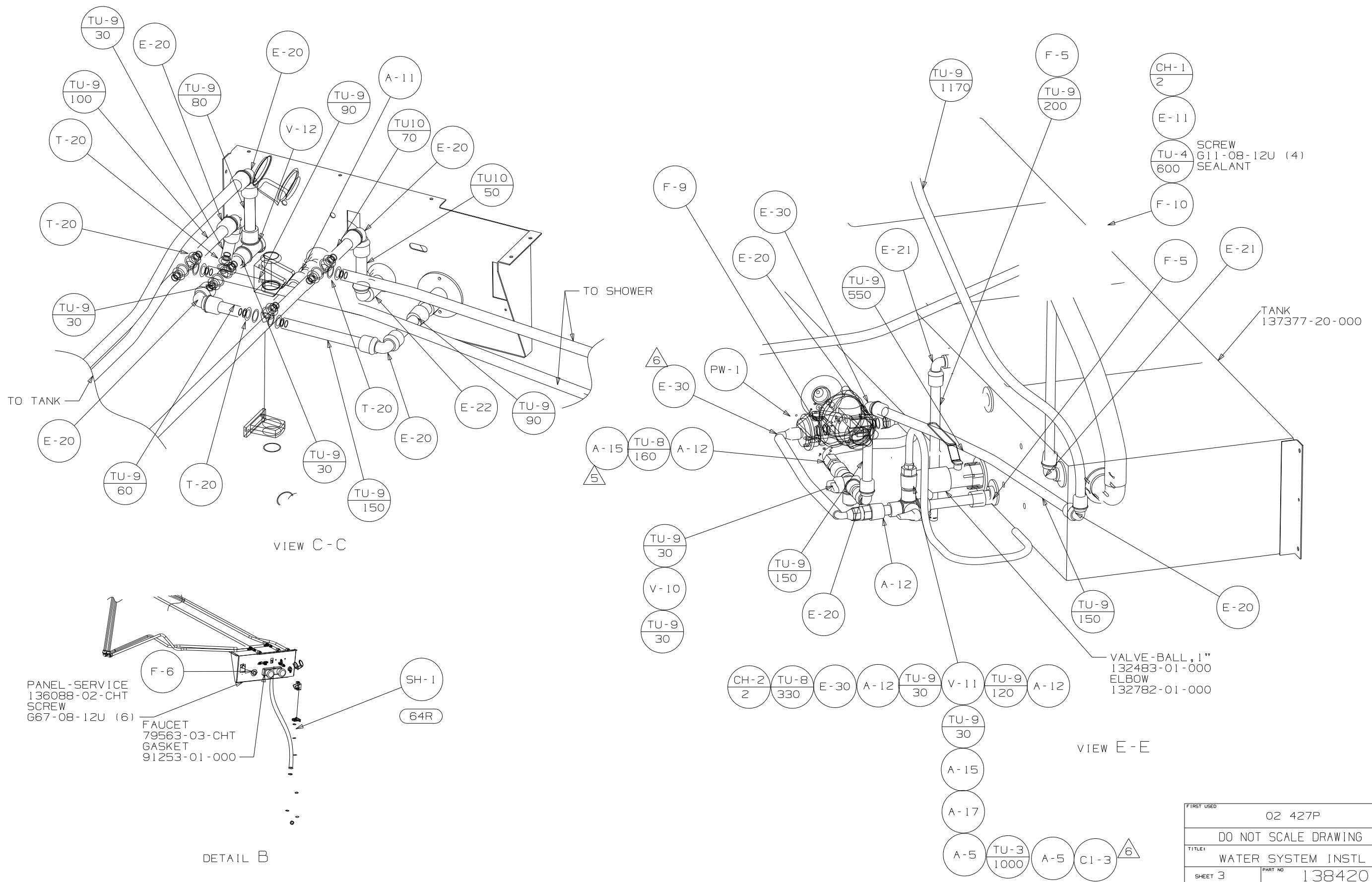
FAUCET
79863-03-CHT
PANEL
78498-01-CHT
SCREW
G11-08-12U (4)
COVER
78500-01-CHT

29B FILTER
87200-01-000
29B CARTRIDGE
87200-02-000
29B SCREW
667-10-12U (2)



DETAIL A

FIRST USED	02 427P
DO NOT SCALE DRAWING	
TITLE	WATER SYSTEM INSTL
SHEET 2	PART NO 138420



SCREW
G11-08-12U (4)
SEALANT

TANK
137377-20-000

VALVE-BALL, 1"
132483-01-000
ELBOW
132782-01-000

PANEL-SERVICE
136088-02-CHT
SCREW
G67-08-12U (6)

FAUCET
79563-03-CHT
GASKET
91253-01-000

VIEW C-C

VIEW E-E

DETAIL B

FIRST USED	02 427P
DO NOT SCALE DRAWING	
TITLE:	WATER SYSTEM INSTL
SHEET 3	PART NO 138420