



DANGER

Danger of electrical shock, burns or death. Always remove all power sources before attempting any repair, service or diagnostic work. Power can be present from shore power, generator, inverter or battery. All power sources must be disabled and secured before performing any service.



CAUTION

If you lack the skills, tools or equipment to perform diagnostic or repair work leave such work to an authorized Winnebago Industries dealer or other qualified shop.

DWG NO	SHEETS
137796-01	1,2,3
137796-02	4,5,6

RELEASE X PREVIOUS EDITION NO 137796
 REV. NO. REVISION RECORD DATE 078-018

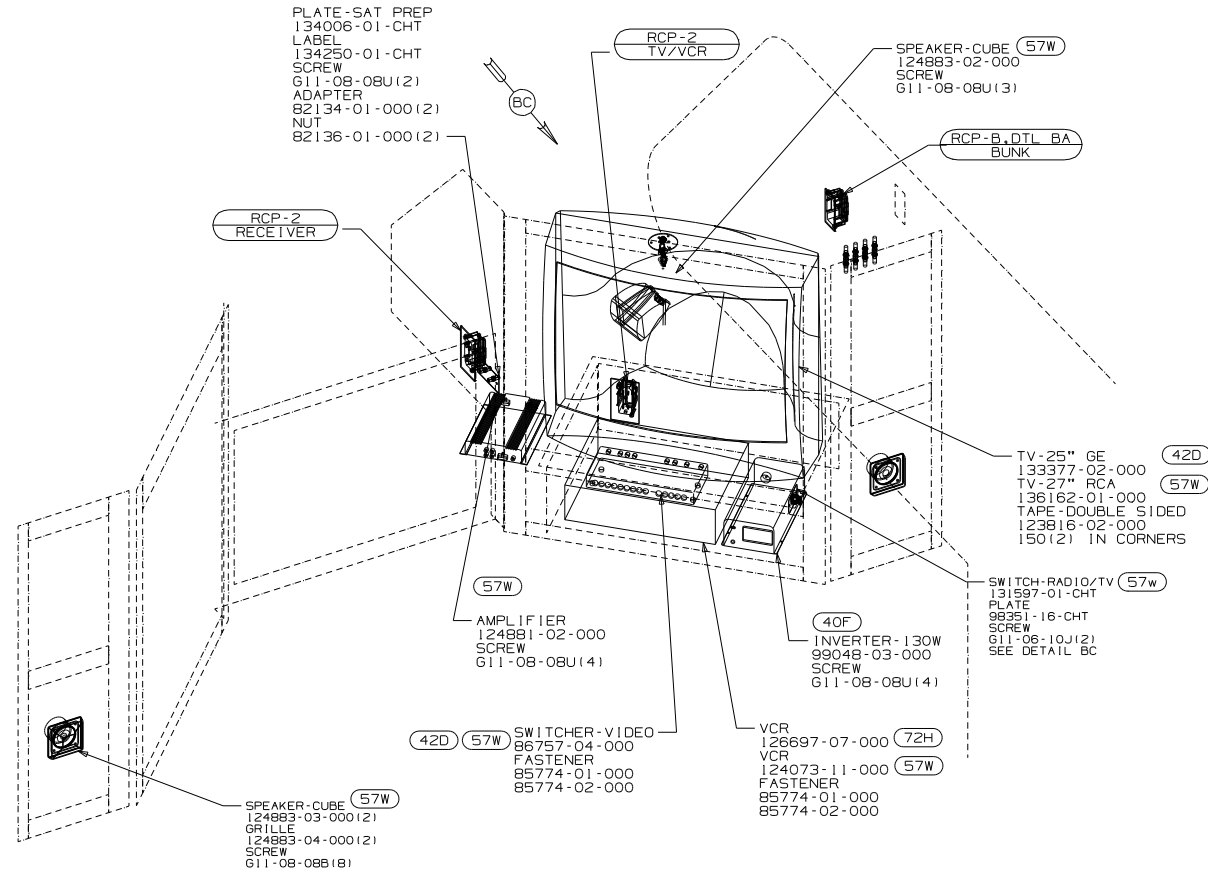


PLATE-SAT PREP
 134006-01-CHT
 LABEL
 134250-01-CHT
 SCREW
 G11-08-08U(2)
 ADAPTER
 82134-01-000(2)
 NUT
 82136-01-000(2)

SPEAKER-CUBE (57W)
 124883-02-000
 SCREW
 G11-08-08U(3)

RCP-B, DTL BA
 BUNK

RCP-2
 RECEIVER

TV-25" GE (42D)
 133377-02-000
 TV-27" RCA (57W)
 136162-01-000
 TAPE-DOUBLE SIDED
 123816-02-000
 1501(2) IN CORNERS

SWITCH-RADIO/TV (57W)
 131597-01-CHT
 PLATE
 98351-16-CHT
 SCREW
 G11-06-10J(2)
 SEE DETAIL BC

AMPLIFIER (57W)
 124881-02-000
 SCREW
 G11-08-08U(4)

INVERTER-130W (40F)
 99048-03-000
 SCREW
 G11-08-08U(4)

SWITCHER-VIDEO (42D, 57W)
 86757-04-000
 FASTENER
 85774-01-000
 85774-02-000

VCR (72H)
 126697-07-000
 VCR (57W)
 124073-11-000
 FASTENER
 85774-01-000
 85774-02-000

SPEAKER-CUBE (57W)
 124883-03-000(2)
 GRILLE
 124883-04-000(2)
 SCREW
 G11-08-08U(8)

(1B1) (265)

WINNEBAGO

DATE 11/13/00
 ALL DIMENSIONS ARE IN MILLIMETERS
 FIRST USED
 02 400 SERIES
 UNSPECIFIED TOLERANCES ARE:
 FRACTIONAL DIM. ± .1
 ONE-PLACE DEC. ± 1.5
 TWO-PLACE DEC. ± 0.50
 HOLE ± .12

THIRD ANGLE PROJECTION

DO NOT SCALE DRAWING

TITLE: WIRING INSTL-TV/VCR,FRONT
 SHEET 1 of 6 PART NO 137796

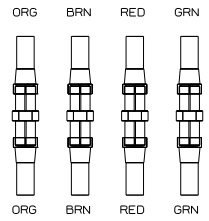
- (72H) VCR
- (57W) DELUXE ENTERTAINMENT CENTER
- (42D) TV-25",W/VIDEO SELECT,SQL BUNK
- (40F) INVERTER-DC/AC,130W
- (265) CODES/STANDARDS-CSA/CMVSS
- (1B1) CODES/STANDARDS-USA

FOR ELECTRICAL TORQUE SPECIFICATIONS SEE DRAWING 128783-01-000

FOR ELECTRICAL CALLOUTS SEE DRAWING 121339-01-000

NOTES:
 2. SEE WIRING INSTL-BODY,12V FOR ADDITIONAL INFORMATION.
 1. SEE WIRING INSTL-BODY,110V FOR ADDITIONAL INFORMATION.

FROM WIRE ASM-ROOF OR
WIRE ASM-SDWL



TO WIRE ASM-TV/VCR
DETAIL BB

CONNECTIONS-COAX
ADAPTER
82134-01-000(4)
SEE DETAIL BB

CONNECTORS TO
WIRE ASM-ROOF

CENTER CHANNEL SPEAKER

TO CENTER
BUNK LAMP

HOUSING TO
SPEAKER
(2 PLCS)
(57W)

(136131-01-027
14-UL/UNMARKED)

(136134-01-027
14-CA/UNMARKED)

(42D) WIRE ASM-TV/VCR
135478-01-000

(57W) WIRE ASM-TV/VCR/DLX SOUND
135478-02-000

(57W)
WIRE ASM-AMPLIFIER
124882-10-000
RELAY
63912-02-000

RECP-BLANK, BUNK

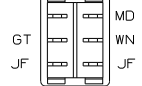
TO RECP-TV/VCR

FROM
SIDEWALL

VIEW BC

DETAIL BA

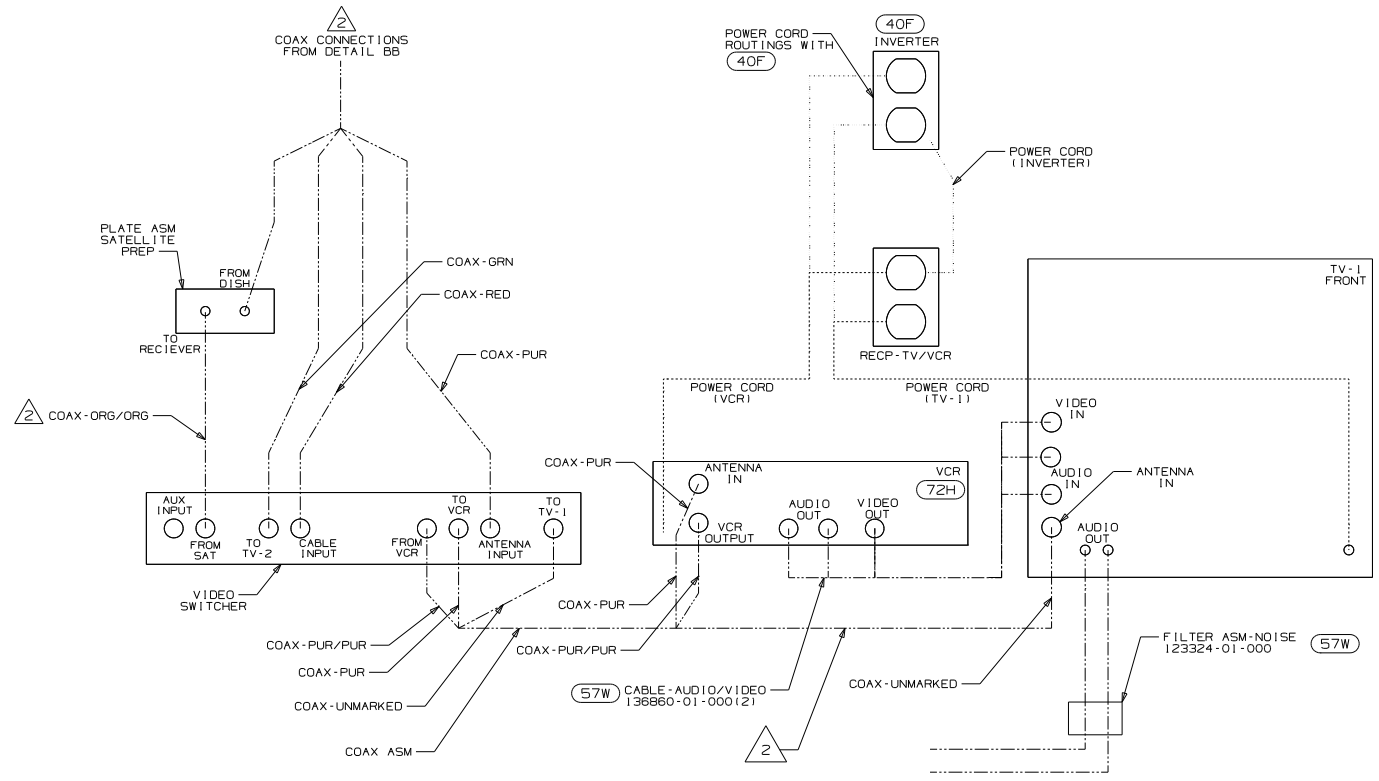
SWITCH-TV,RADIO
DELUXE SOUND



DETAIL BC

- 3 WIRE INTEGRAL TO SIDEWALL
2. SEE WIRING INSTL-BODY,12V FOR ADDITIONAL INFORMATION.
1. SEE WIRING INSTL-BODY,110V FOR ADDITIONAL INFORMATION.
- NOTES:

FIRST USED	02 400 SERIES
DO NOT SCALE DRAWING	
TITLE:	WIRING INSTL-TV/VCR,FRONT
SHEET 2	PART NO 137796



(2) COAX CABLE IS AN INTEGRAL PART OF THE WIRE ASM-TV/VCR,FRONT.

1. SEE WIRING INSTL-BODY,12V FOR ADDITIONAL INFORMATION.

NOTES:

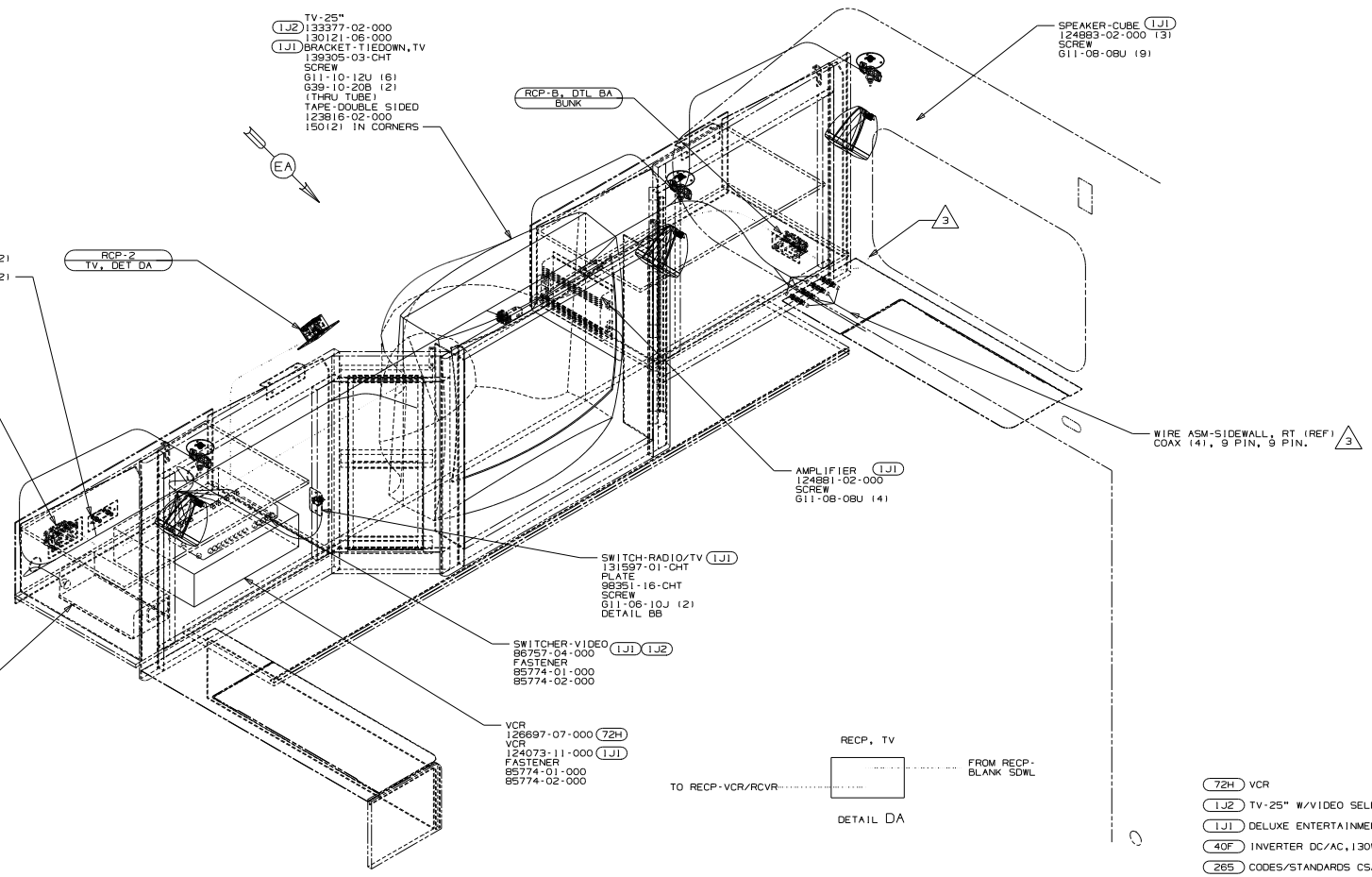
FOR ELECTRICAL TORQUES SEE DRAWING 128783-01-000

FOR ELECTRICAL CALLOUTS SEE DRAWING 121339-01-000

- (72H) VCR
- (57W) DELUXE ENTERTAINMENT CENTER
- (42D) TV-25" W/SWITCHER
- (40F) INVERTER-DC/AC,130W
- (193) ANTENNA-TV, AMPLIFIED

(193) (42D) (57W)

FIRST USED	02 400 SERIES
DO NOT SCALE DRAWING	
TITLE:	WIRING INSTL-TV/VCR,FRONT
SHEET 3	PART NO 137796



- (72H) VCR
- (1J2) TV-25" W/VIDEO SELECT, DRAWER
- (1J1) DELUXE ENTERTAINMENT CENTER W/25" TV
- (40F) INVERTER DC/AC, 130W
- (265) CODES/STANDARDS CSA
- (1B1) CODES/STANDARDS USA

3 WIRE IS INTEGRAL TO SIDEWALL.

2 SEE WIRING INSTL-BODY, 12V FOR ADDITIONAL INFORMATION.

1 SEE WIRING INSTL-BODY, 110V FOR ADDITIONAL INFORMATION.

NOTES:

FOR ELECTRICAL TORQUE SPECIFICATIONS SEE DWG NO. 128793-01-000

FOR ELECTRICAL CALLOUTS SEE DWS NO. 121339-01-000

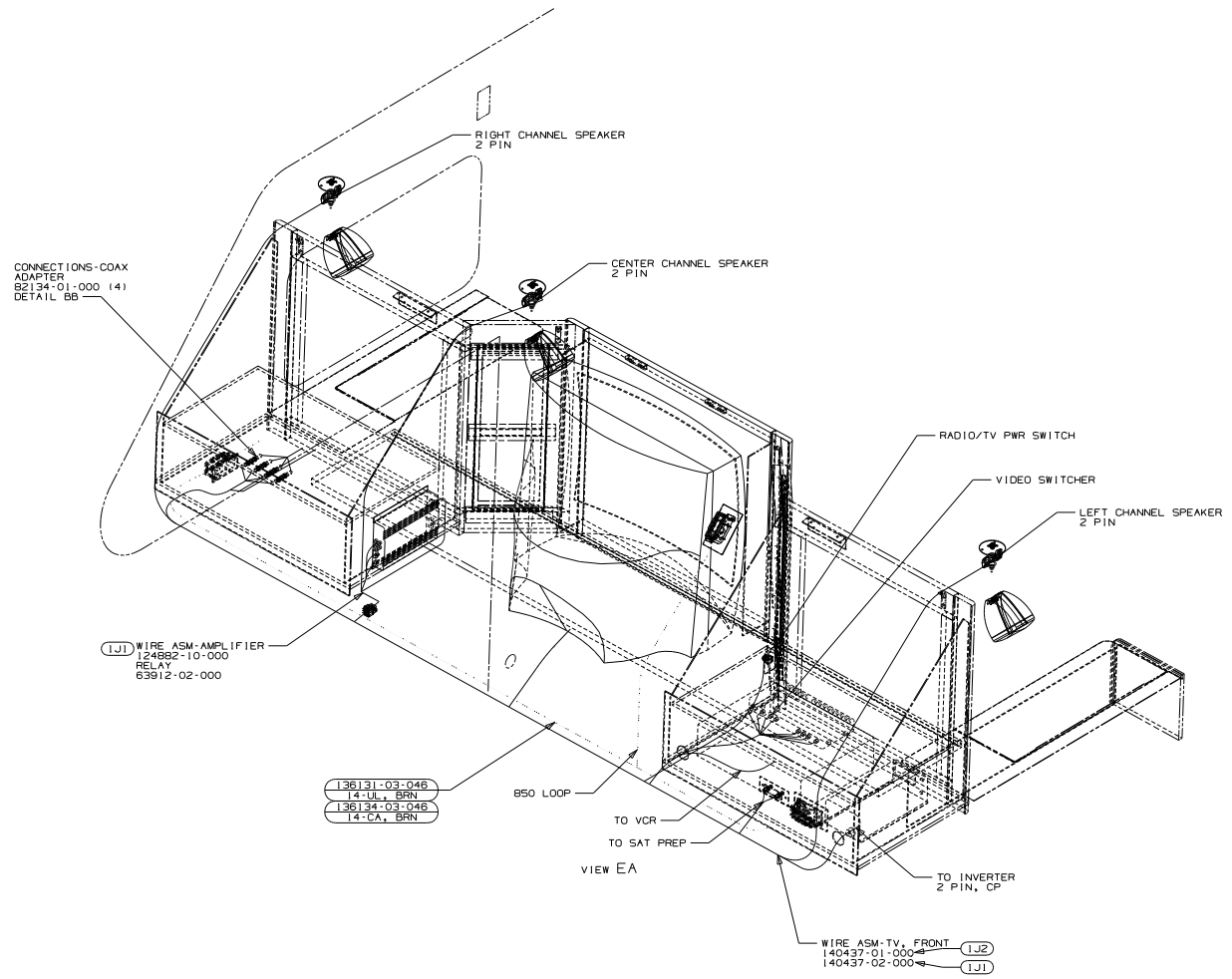
(1B1) (265)

FIRST USED 02 430V

DO NOT SCALE DRAWING

TITLE: WIRING INSTL-TV/VCR, FRONT

SHEET 4 PART NO 137796



- (1J2) TV-25"/VVIDEO SEL/DRAWER
- (1J1) DLX ENTERTAINMENT SYS-25" TV
- (265) CODES/STANDARDS-CSA/CMVSS
- (1B1) CODES/STANDARDS-USA

FIRST USED	02 430V
DO NOT SCALE DRAWING	
TITLE:	WIRING INSTL-TV/VCR,FRONT
SHEET 5	PART NO 137796

FOR ELECTRICAL
TORQUE
SPECIFICATIONS
SEE DWG NO.
128793-01-000

FOR
ELECTRICAL
CALLOUTS
SEE DWG NO.
121339-01-000



2. SEE WIRING INSTL-BODY, 12V FOR ADDITIONAL INFORMATION.

1. SEE WIRING INSTL-BODY, 110V FOR ADDITIONAL INFORMATION.

NOTES:

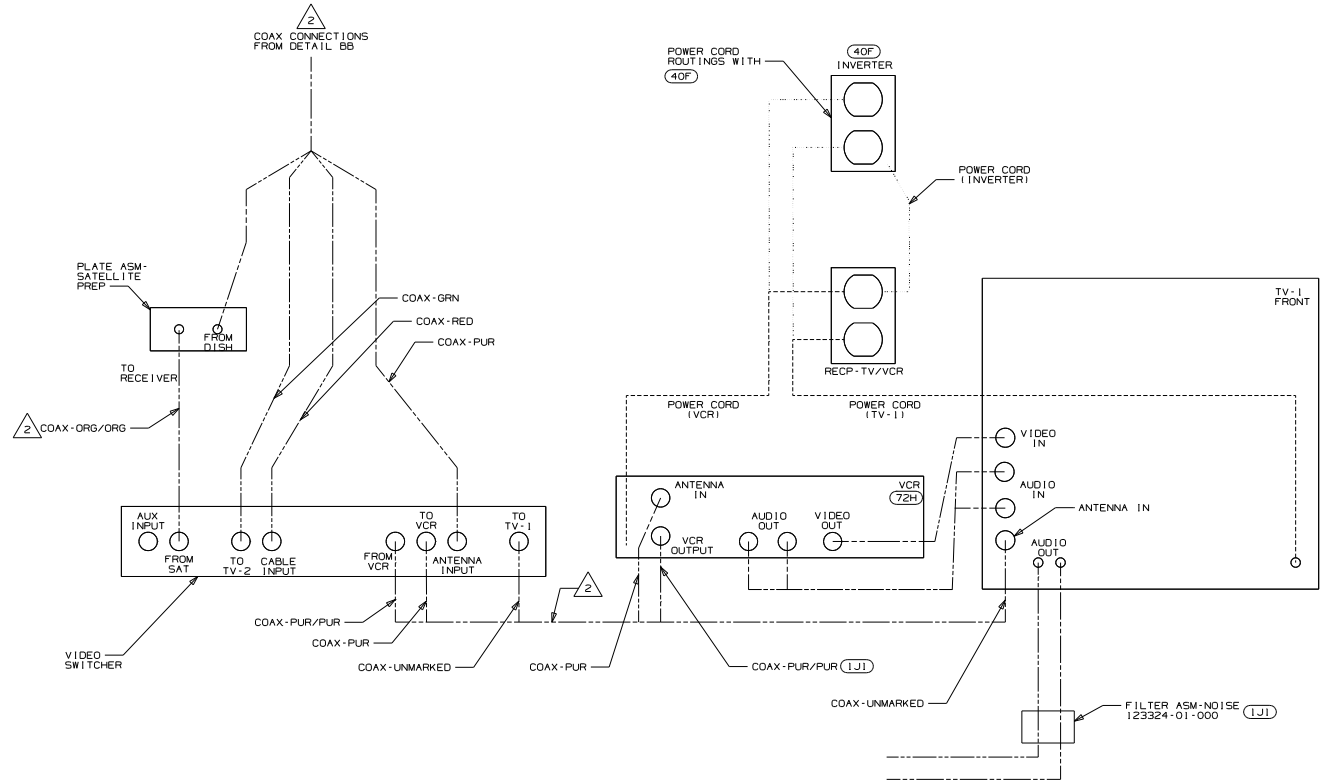


PLATE ASM-SATELLITE PREP
FROM DISH
TO RECEIVER

2 COAX-ORG/ORG

AUX INPUT
FROM SAT
TO TV-2
CABLE INPUT
FROM VCR
TO VCR
ANTENNA INPUT
TO TV-1

VIDEO SWITCHER

COAX-PUR/PUR

COAX-PUR

COAX-UNMARKED

COAX-PUR

2

COAX-PUR/PUR (1J1)

COAX-UNMARKED

FILTER ASM-NOISE 123324-01-000 (1J1)

POWER CORD ROUTINGS WITH (40F)

(40F) INVERTER

POWER CORD (INVERTER)

RECP-TV/VCR

POWER CORD (VCR)

POWER CORD (TV-1)

TV-1 FRONT

VIDEO IN

AUDIO IN

ANTENNA IN

AUDIO OUT

ANTENNA IN
VCR (72H)
AUDIO OUT
VIDEO OUT

2 COAX CONNECTIONS FROM DETAIL BB

2 COAX CABLE IS AN INTEGRAL PART OF THE WIRE ASM-TV/VCR, FRONT.

1. SEE WIRING INSTL-BODY, 12V FOR ADDITIONAL INFORMATION.

NOTES:

- (72H) VCR
- (1J1) DLX ENTERTAINMENT SYS-25" TV
- (1J2) TV-25" V/VIDEO SEL/DRAWER
- (40F) INVERTER-DC/AC, 130W
- (193) ANTENNA-TV, AMPLIFIED

(193) (1J2) (1J1)

02 430V

DO NOT SCALE DRAWING

FOR ELECTRICAL TORQUE SPECIFICATIONS SEE DWG NO. 128793-01-000

FOR ELECTRICAL CALLOUTS SEE DWG NO. 121339-01-000

TITLE: WIRING INSTL-TV/VCR, FRONT
SHEET 6 PART NO 137796