

- (1) CADDY-SHOWER 105707-01-CHT
- (1) PANEL-REINF 102028-03-000
- (1) TAPE 76322-01-000
- (1) SCREW G11-08-12B (16)
- (1) COVER 78500-01-CHT (16)

- (1) SHOWER PAN 127586-02-CHT
- (1) SCREW G11-08-12B (16)
- (1) COVER 78500-01-CHT (16)
- (43F) SHOWER INSTL-ENCLOSURE 134582-02-000
- (1) STRAINER 66440-01-000
- (1) SEALER 69640-01-000
- (1) NUT 130403-01-000
- (1) WASHER-RUBBER 127440-02-CHT
- (1) TAILPIECE 11069-02-000

- TANK-HOLDING 34 GAL 127519-02-000
- CRADLE ASM 103227-09-000
- BOLT C18-05-40A (4)
- NUT D39-05-00B (4)
- WASHER E13-16-00B (4)

- CLAMP 62401-05-000(2)
- BRACKET 136878-01-CHT(4)
- SCREW G67-10-12B(4)

- SINK 104113-01-000
- STRAINER 92303-01-000(2)
- SEAL 91255-02-000(A/R)
- RETAINER 105497-01-000 (2)
- SCREW G67-10-12B (20)

- SINK 96927-01-CHT
- SEAL 91255-02-000(A/R)

- TANK-HOLDING 34 GAL 137892-02-CHT
- CRADLE ASM 141451-01-CHT
- BOLT 65115-03-000 (4)
- NUT D39-05-00B (4)
- WASHER E13-16-00B (4)

- (43F) SHOWER SURROUND
- (23T) HEATED HOLDING TANKS-PACKAGE

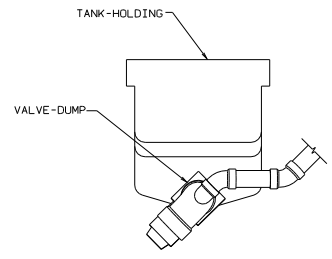
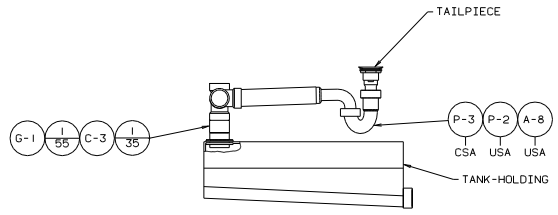
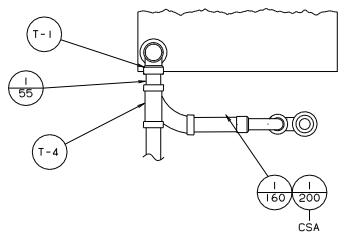
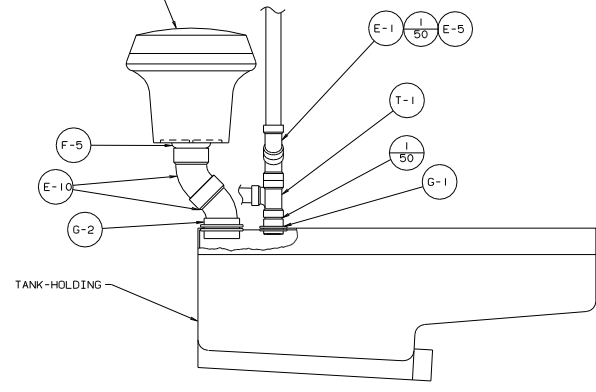
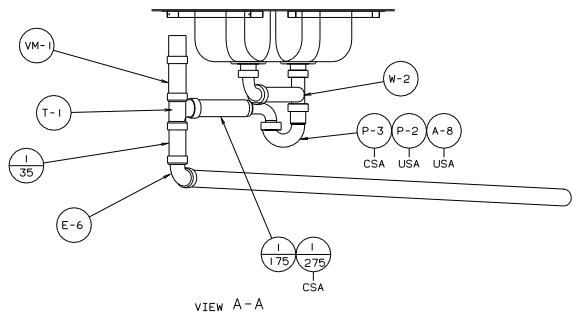
- (10) SECURE VENT TUBES TO FLOOR WITH BRACKET.
- (9) VENT PIPE MUST PROJECT 51 MM MIN AND 64 MM MAX ABOVE ROOF FOR PROPER FIT AND FUNCTION.
- 8. SEE DWG 61607-01-000 FOR INSTL OF GROMMETS.
- 7. SEAL ALL AROUND SHOWER WITH SILICONE.
- 6. FOR CANADIAN UNITS EACH HOLDING TANK SHALL HAVE A CSA APPROVAL STAMPED NEAR THE IAMPO APPROVAL.
- 5. EXPOSED PIPE ABOVE ROOF TO BE PAINTED WITH 37163-01-000.
- 4. ALL EXTERIOR OPENINGS AROUND PIPE TO BE SEALED WITH 11074-01-000.
- 3. ALL PIPE AND FITTINGS TO BE ASSEMBLED WITH SOLVENT 4020-01-000.
- 2. SLOPE OF TRAP ARM MUST BE 6 PER 305.
- 1. SLOPE OF HORIZONTAL PIPING TO BE 6 PER 305 MIN.

- (14) WRAP PAD AROUND ON THE SIDES OF THE TANK.
- (13) SEE WIRING INSTL-BODY, 12 V FOR ELECTRICAL CONNECTIONS.
- 12. SECURE PIPES TO CABINET USING WIRE TIE 108046-02-000 AND SCREW G67-10-12U(8).
- (11) NOT USED WITH 43G INTERIOR UPGRADE PACKAGE.

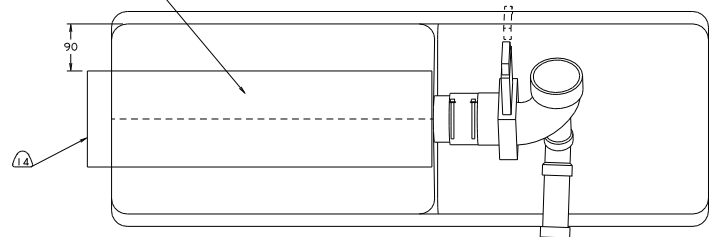
FOR DRAINAGE CALLOUTS SEE DWG NO. 116229-01-000

COPYRIGHT 2000 WINNERBAGO INDUSTRIES, INC.		02 331C/T	
DATE	UNSPECIFIED TOLERANCES ARE:	MATERIAL:	
DATE	FRAC-PLACES (X.X)	?	
DATE	DEC-PLACES (X.XXX)	?	
DATE	ANGLE	?	
DATE	THIRD ANGLE PROJECTION	?	
LAYER NO 00C331C		TITLE: DRAINAGE SYSTEM INSTL	
ORA #	SCALE: NONE	DO NOT SCALE DRAWING	TRK NO
ALL DIMENSIONS ARE IN MILLIMETRES		SHEET 1 OF 3	NO 140294

TOILET-SHORTY, AQUA IV
84738-01-CHT
(HAND FLUSH)
SCREW
87721-01-000 (6)
84738-02-CHT
(FOOT FLUSH)

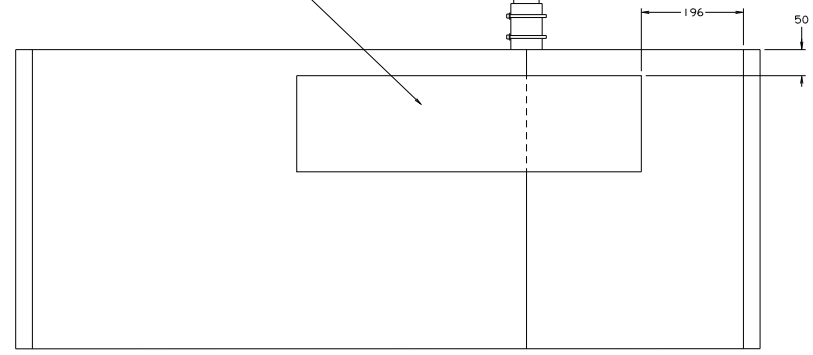


(13) (23T) PAD-HEATER, HOLDING TANK, 40 GAL
133972-01-000

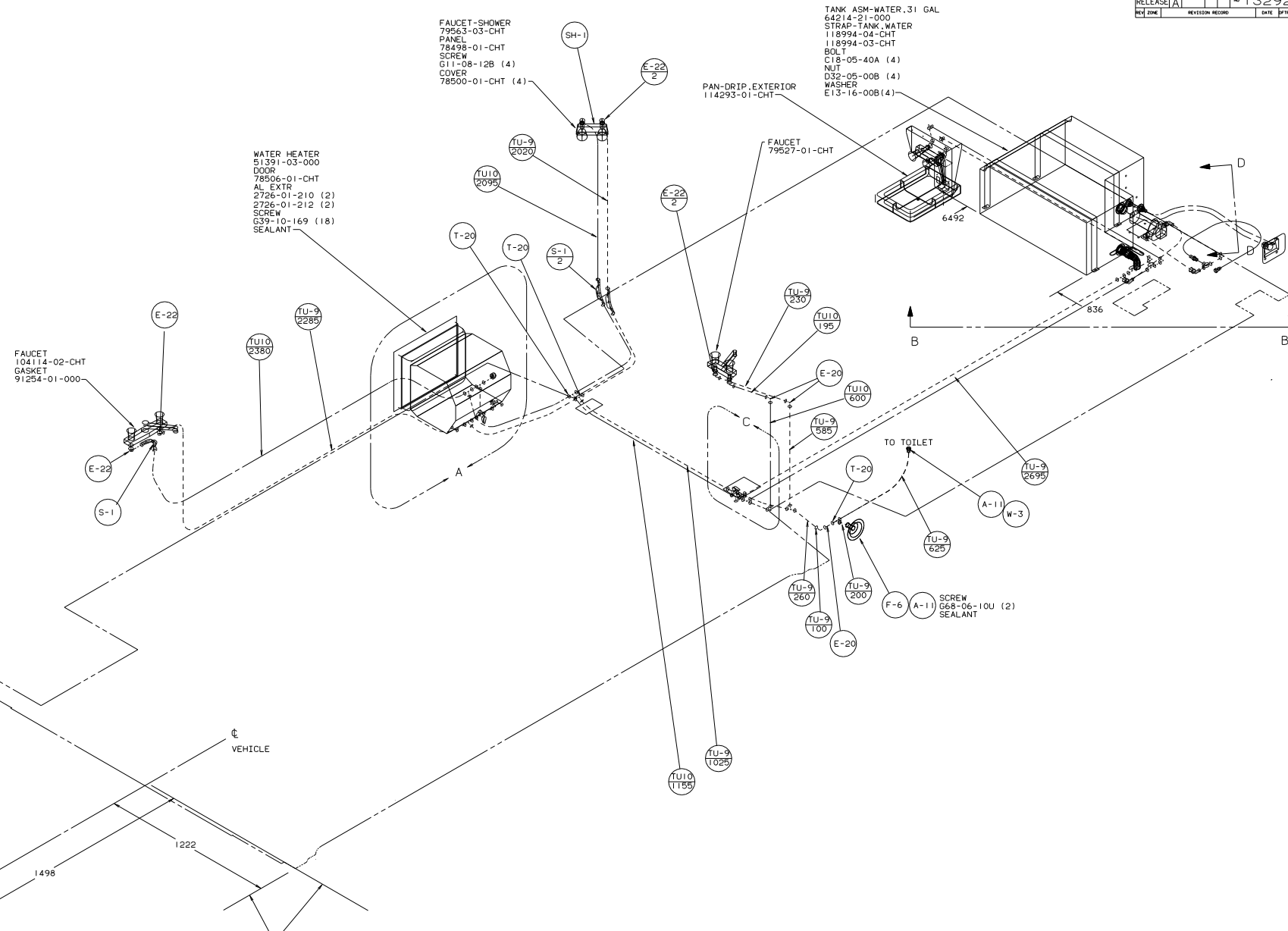


PAD-HEATER, ELBOW, 1.50
133972-05-000 (23T) (13)

(13) (23T) PAD-HEATER, HOLDING TANK, 40 GAL
133972-01-000



VIEW E-E



- (A) ADD TEFLON TAPE 10405-01-000 TO FITTING.
 (B) ADD TEFLON TAPE 10405-02-000 TO FITTING.
 (C) CAP SEAL. SEE SEALANT MANUAL.
 3. ALL TUBING TO BE SECURED AT 1200 INTERVALS MAX WITH CLAMP 10495-01-000 OR CLIP 91951-01-000 AND SCREW G67-10-12B.
 2. TUBING TO BE INSTALLED WITH SUFFICIENT SLOPE TO PROVIDE DRAINAGE TO NEAREST VALVE.
 1. PLASTIC FITTINGS TO BE SEALED WITH SEALANT 84456-01-000.

(X-X) FOR WATER CALLOUTS SEE DWG NO. 116230-01-000

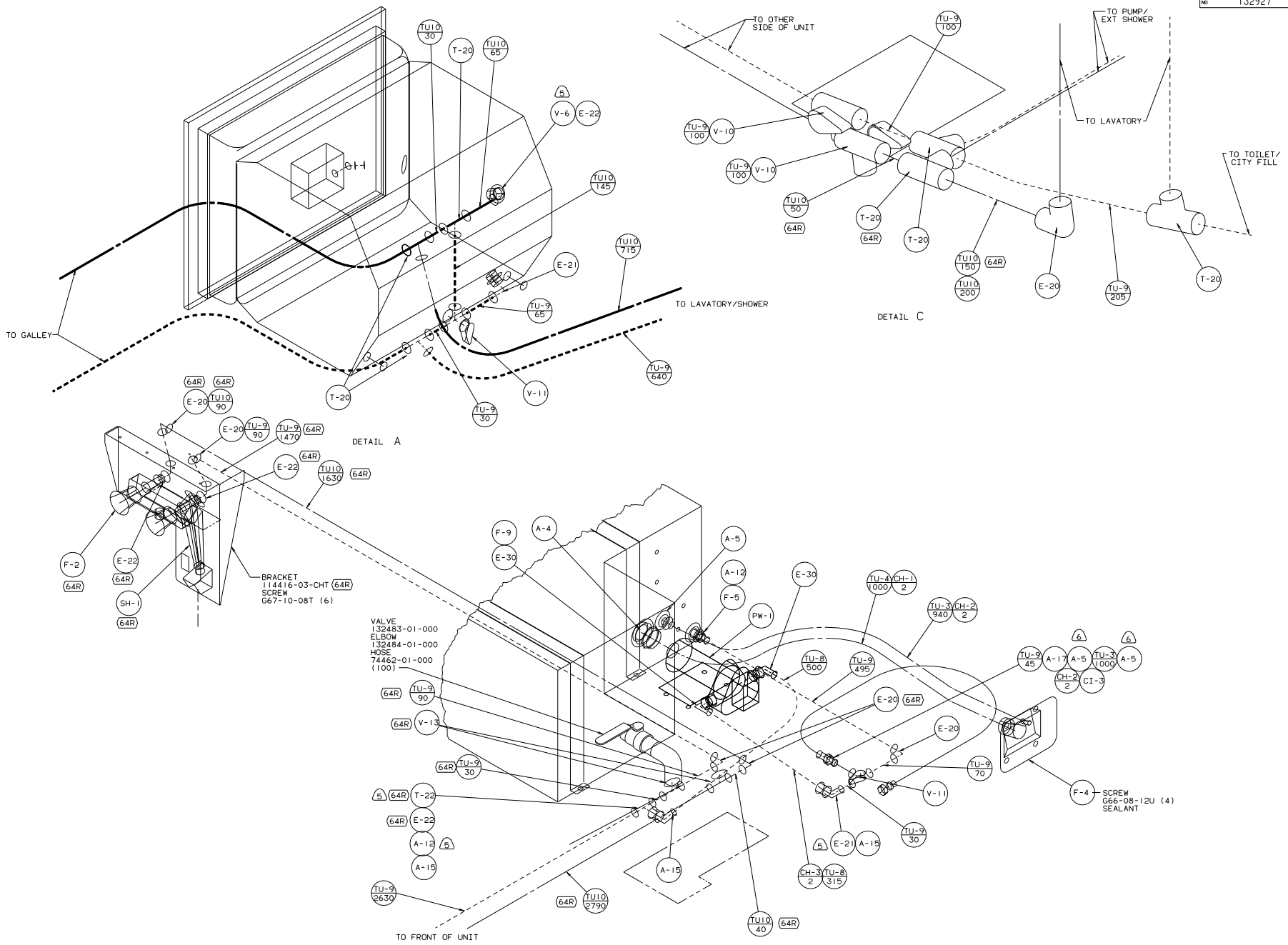
LEGEND	
HOT	———
COLD	— · — · —

(64R) EXTERIOR WASH STATION

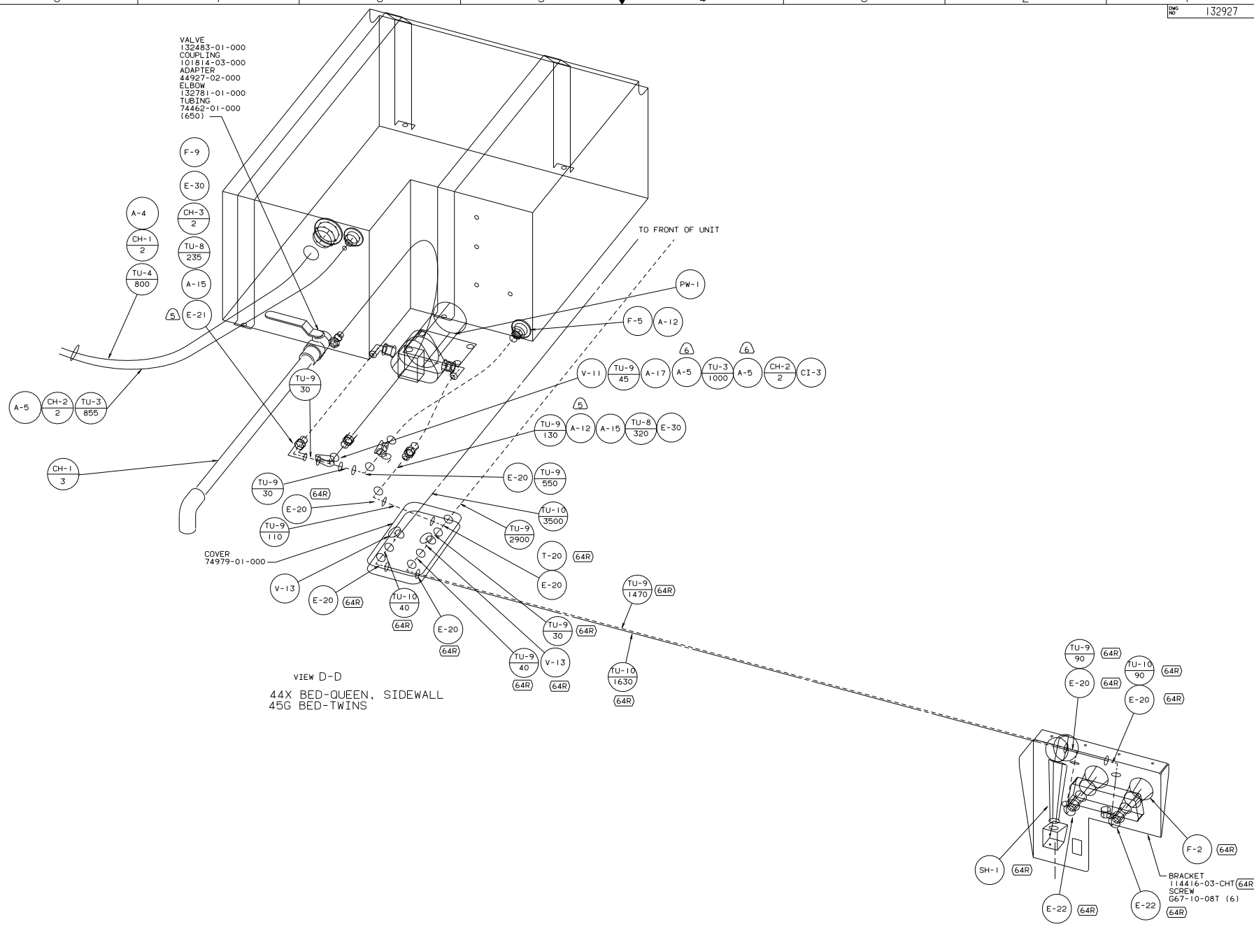
COPYRIGHT © 2003 WINNERPAC INDUSTRIES, INC. **WINNERPAC** 00 331C/T

OP/IN	DATE	UNSPECIFIED TOLERANCES ARE:	MATERIAL
CHOP	DATE	WHOLE OR 1/8" ± .01	
F/E	DATE	ONE-PLACE (±.01)	
M/E	DATE	TWO-PLACE (±.005)	
	DATE	THREE-PLACE (±.001)	
	DATE	THREE-PLACE PRODUCTION	

REF: 130333 E I
 132927



- VALVE 132483-01-000
- COUPLING 101814-03-000
- ADAPTER 44927-02-000
- ELBOW 132781-01-000
- TUBING 74462-01-000 (650)



00 331C/T

TITLE: WATER SYSTEM INSTL	
30 NET SCALE DRAWING	SIZE 11E
SHEET 3 OF 3	132927