

- (1) CADDY-SHOWER (105707-01-CHT)
- (1) PANEL-REINF (102028-03-000)
- (1) TAPE (76322-01-000)
- (1) SCREW (G11-08-12B (16))
- (1) COVER (78500-01-CHT (16))

- (1) SHOWER PAN (127586-02-CHT)
- (1) SCREW (G11-08-12B (16))
- (1) COVER (78500-01-CHT (16))
- (43F) SHOWER INSTL-ENCLOSURE (134582-02-000)
- (1) STRAINER (66440-01-000)
- (1) SEALER (69640-01-000)
- (1) NUT (130403-01-000)
- (1) WASHER-RUBBER (127440-02-CHT)
- (1) TAILPIECE (11069-02-000)

- (1) TANK-HOLDING 34 GAL (127519-02-000)
- (1) CRADLE ASM (103227-09-000)
- (1) BOLT (C18-05-40A (4))
- (1) NUT (D39-05-00B (4))
- (1) WASHER (E13-16-00B (4))

- (1) SINK (104113-01-000)
- (1) STRAINER (92303-01-000(2))
- (1) SEAL (91255-02-000(A/R))
- (1) RETAINER (105497-01-000 (2))
- (1) SCREW (105497-02-000 (2))
- (1) SCREW (G67-10-12B (20))

- (1) SINK (96927-01-CHT)
- (1) SEAL (91255-02-000(A/R))

- NOTES:
1. SLOPE OF HORIZONTAL PIPING TO BE 6 PER 305 MM.
 2. SLOPE OF TRAP ARM MUST BE 6 PER 305.
 3. ALL PIPE AND FITTINGS TO BE ASSEMBLED WITH SOLVENT 4020-01-000.
 4. ALL EXTERIOR OPENINGS AROUND PIPE TO BE SEALED WITH 11074-01-000.
 5. EXPOSED PIPE ABOVE ROOF TO BE PAINTED WITH 37163-01-000.
 6. FOR CANADIAN UNITS EACH HOLDING TANK SHALL HAVE A CSA APPROVAL STAMPED NEAR THE IAMPO APPROVAL.
 7. SEAL ALL AROUND SHOWER WITH SILICONE.
 8. SEE DWG 61607-01-000 FOR INSTL OF GROMMETS.

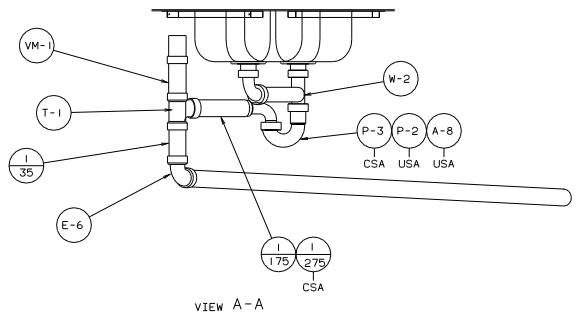
- (1) WRAP PAD AROUND ON THE SIDES OF THE TANK.
- (1) SEE WIRING INSTL-BODY, 12 V FOR ELECTRICAL CONNECTIONS.
- 12. SECURE PIPES TO CABINET USING WIRE TIE (108046-02-000 AND SCREW G67-10-12U(8)).
- (1) NOT USED WITH 43G INTERIOR UPGRADE PACKAGE.

(X-X) FOR DRAINAGE CALLOUTS SEE DWG NO. 116229-01-000

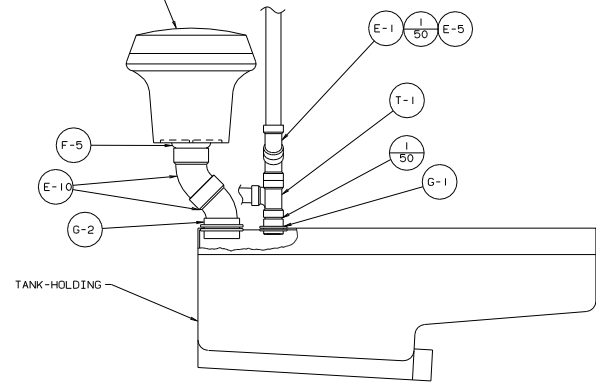
COPYRIGHT 2000 WINNERBAGO INDUSTRIES, INC.			02 331C/T	
DATE	DATE	UNSPECIFIED TOLERANCES ARE:	MATERIAL:	
DATE	DATE	ONE-PLACE (X, Y, Z)	?	
DATE	DATE	TWO-PLACE (X, Y, Z)	?	
DATE	DATE	THIRD-PLACE	?	
DATE	DATE	FOURTH-PLACE	?	
DATE	DATE	FIFTH-PLACE	?	
DATE	DATE	SIXTH-PLACE	?	
DATE	DATE	SEVENTH-PLACE	?	
DATE	DATE	EIGHTH-PLACE	?	
DATE	DATE	NINTH-PLACE	?	
DATE	DATE	TENTH-PLACE	?	
DATE	DATE	ELEVENTH-PLACE	?	
DATE	DATE	TWELFTH-PLACE	?	
DATE	DATE	THIRTEENTH-PLACE	?	
DATE	DATE	FOURTEENTH-PLACE	?	
DATE	DATE	FIFTEENTH-PLACE	?	
DATE	DATE	SIXTEENTH-PLACE	?	
DATE	DATE	SEVENTEENTH-PLACE	?	
DATE	DATE	EIGHTEENTH-PLACE	?	
DATE	DATE	NINETEENTH-PLACE	?	
DATE	DATE	TWENTIETH-PLACE	?	

00C331C TITLE: DRAINAGE SYSTEM INSTL
 01A # SCALE: NONE (DO NOT SCALE DRAWING) SHEET 1 OF 3 I E NO 140294
 REF: 134355

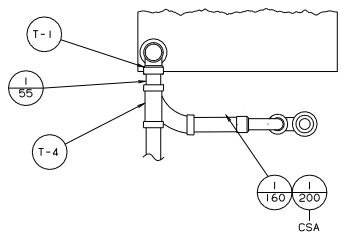
TOILET-SHORTY, AQUA IV
84738-01-CHT
(HAND FLUSH)
SCREW
87721-01-000 (6)
84738-02-CHT
(FOOT FLUSH)



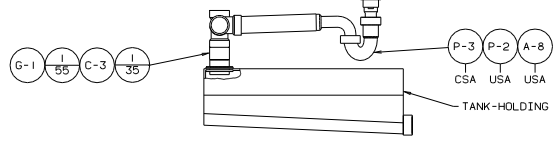
VIEW A-A



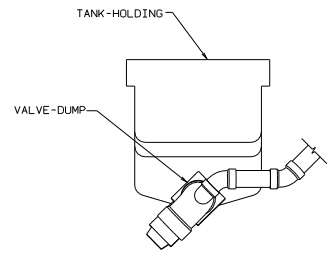
VIEW B-B



TAILPIECE

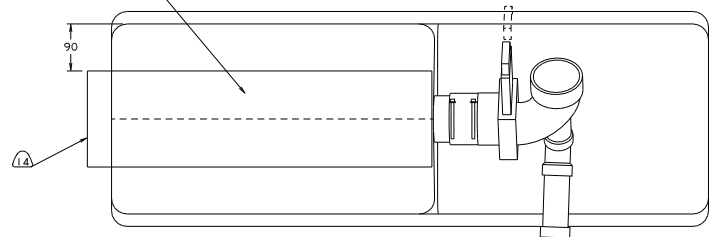


VIEW C-C



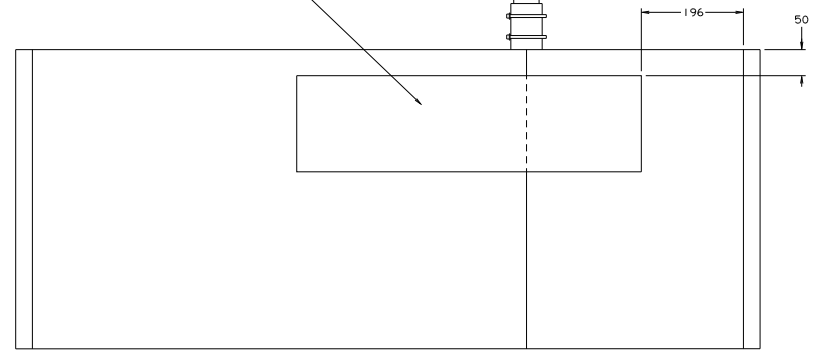
VIEW D-D

(13) (23T) PAD-HEATER, HOLDING TANK, 40 GAL
133972-01-000



PAD-HEATER, ELBOW, 1.50
133972-05-000 (23T) (13)

(13) (23T) PAD-HEATER, HOLDING TANK, 40 GAL
133972-01-000



VIEW E-E

FAUCET-SHOWER
 79563-03-CHT
 PANEL
 78498-01-CHT
 SCREW
 G11-08-12B (4)
 COVER
 78500-01-CHT (4)

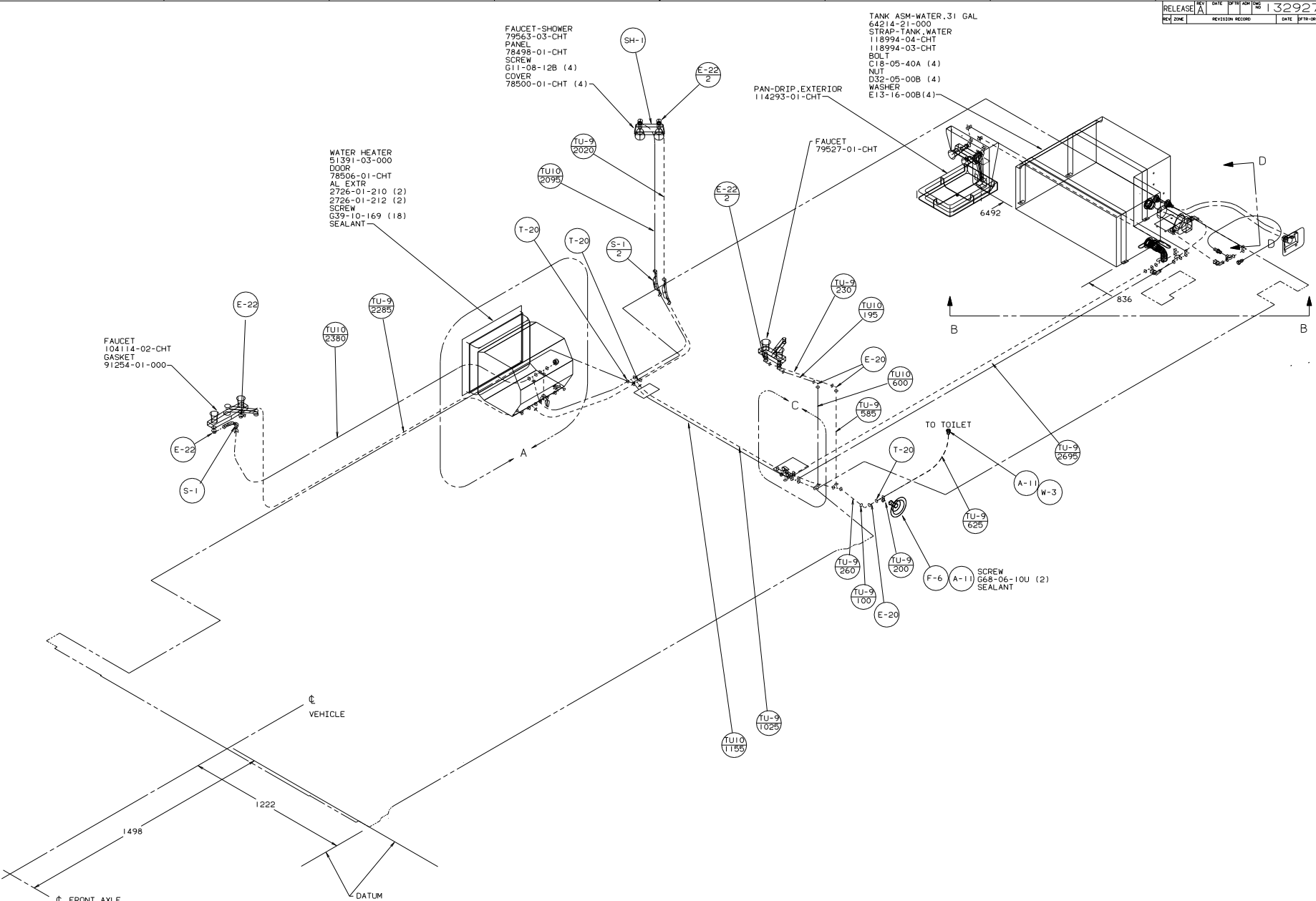
PAN-DRIP, EXTERIOR
 114293-01-CHT

TANK ASM-WATER, 31 GAL
 64214-21-000
 STRAP-TANK, WATER
 118994-04-CHT
 118994-03-CHT
 BOLT
 C18-05-40A (4)
 NUT
 D32-05-00B (4)
 WASHER
 E13-16-00B(4)

WATER HEATER
 51391-03-000
 DOOR
 78506-01-CHT
 AL. EXTR.
 2726-01-210 (2)
 2726-01-212 (2)
 SCREW
 G39-10-169 (18)
 SEALANT

FAUCET
 79627-01-CHT

FAUCET
 104114-02-CHT
 GASKET
 91254-01-000



- NOTES:
- ADD TEFLON TAPE 10405-01-000 TO FITTING.
 - ADD TEFLON TAPE 10405-02-000 TO FITTING.
 - CAP SEAL. SEE SEALANT MANUAL.
 - ALL TUBING TO BE SECURED AT 1200 INTERVALS MAX WITH CLAMP 10495-01-000 OR CLIP 91951-01-000 AND SCREW G67-10-12B.
 - TUBING TO BE INSTALLED WITH SUFFICIENT SLOPE TO PROVIDE DRAINAGE TO NEAREST VALVE.
 - PLASTIC FITTINGS TO BE SEALED WITH SEALANT 84456-01-000.

(X-X) FOR WATER CALLOUTS SEE DWG NO. 116230-01-000	DATE	UNSPECIFIED TOLERANCES ARE:	MATERIAL
	DATE	WHOLE DIM (IN)	FRACTIONAL DIM (IN)
DATE	ONE-PLACE (IN.)		
DATE	TWO-PLACE (IN.)		
DATE	ANGLE		
DATE	THRU HOLE		
DATE	PROJECTION		

(64R) EXTERIOR WASH STATION

00 331C/T

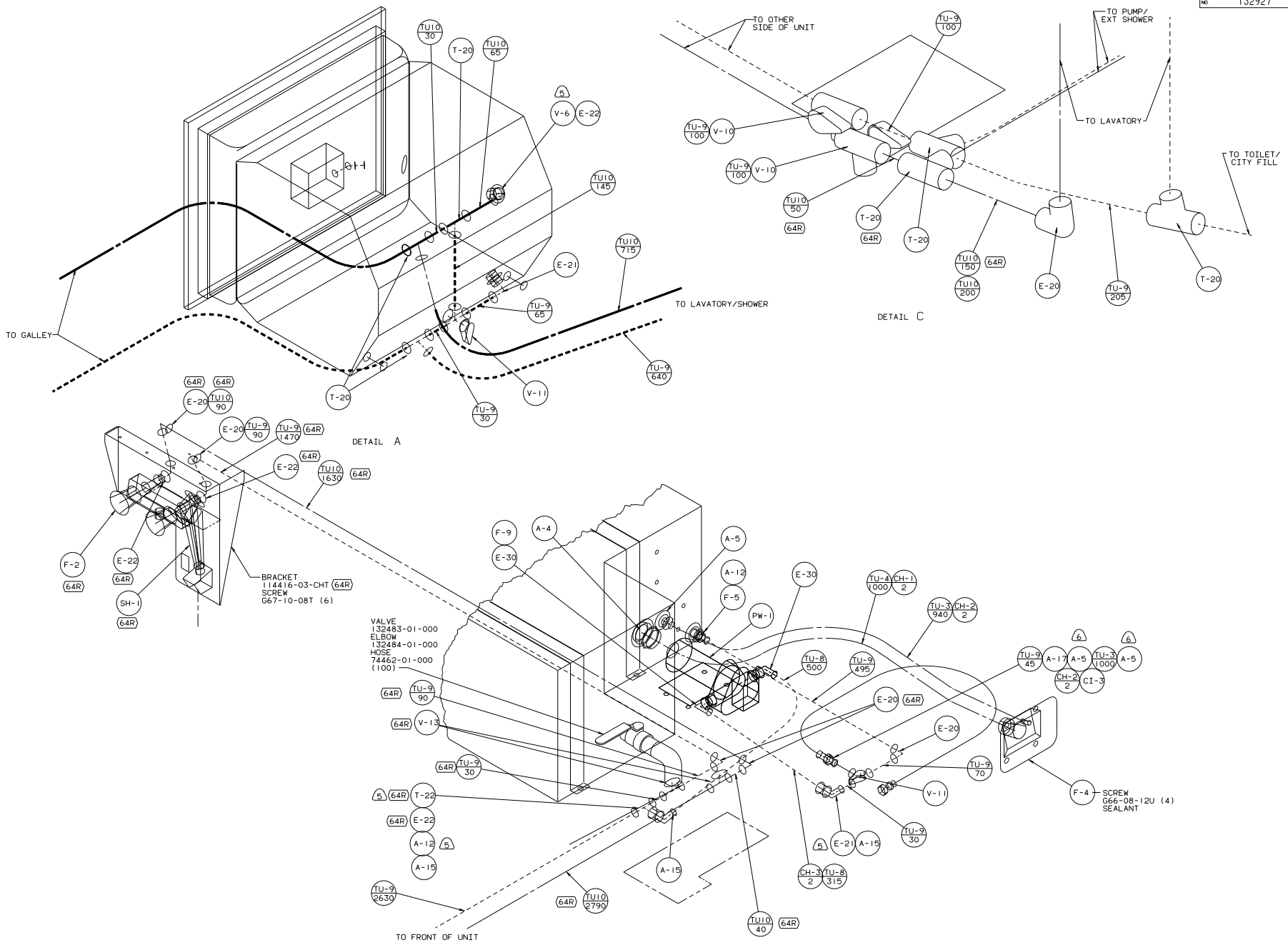
OPTR	DATE	UNSPECIFIED TOLERANCES ARE:	MATERIAL
CHKD	DATE	WHOLE DIM (IN)	FRACTIONAL DIM (IN)
DRAWN	DATE	ONE-PLACE (IN.)	
INSP	DATE	TWO-PLACE (IN.)	
DATE	ANGLE		
DATE	THRU HOLE		
DATE	PROJECTION		

LAND M. TITLE: WATER SYSTEM INSTL

R1A 9 SCALE: NONE 30 MET SCALE DRAWING: 1/4" = 1'-0"

ALL DIMENSIONS ARE IN MILLIMETERS SHEET 1 OF 3 DWG NO: 132927

REF: 130333 E I

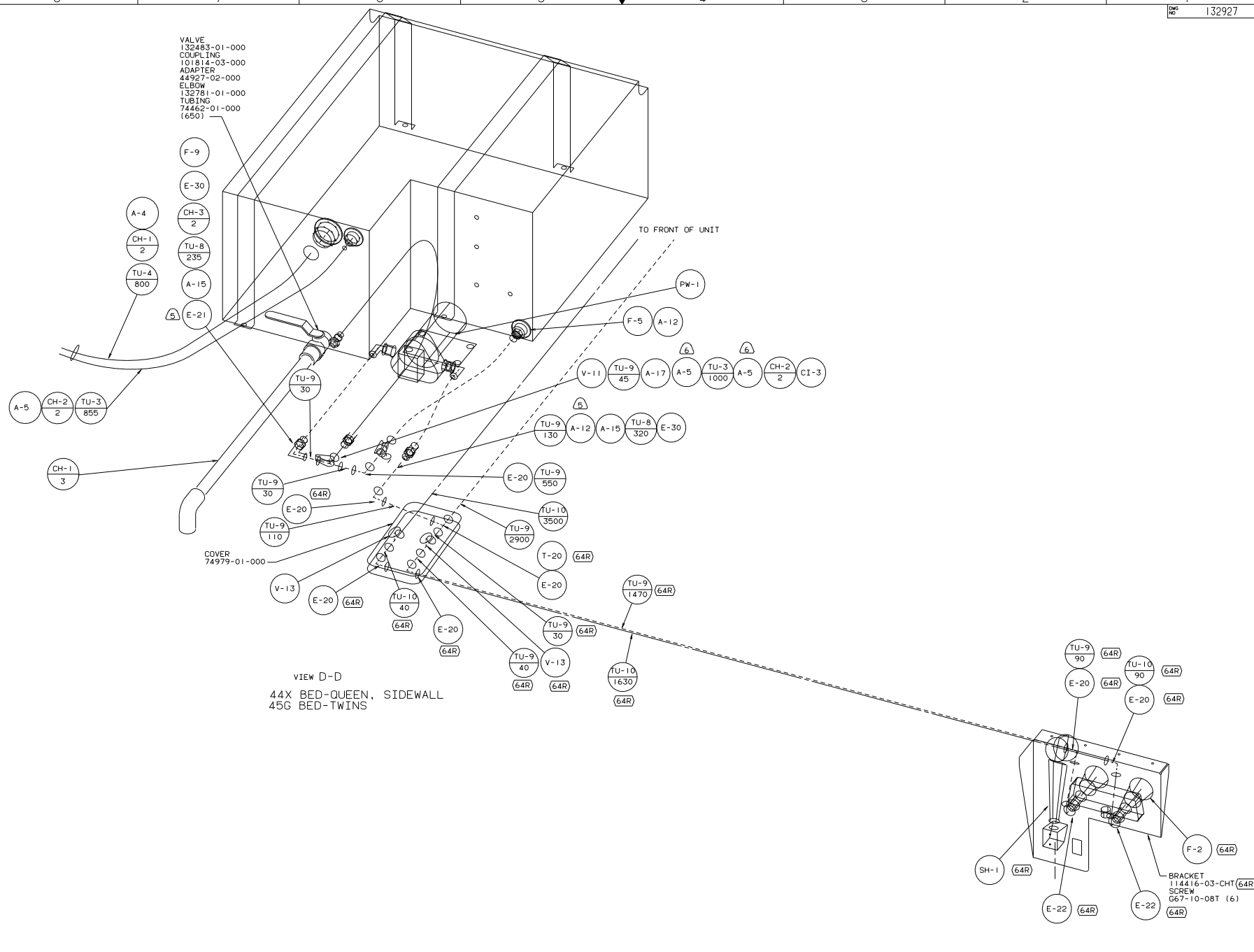


- VALVE 132483-01-000
- ELBOW 132484-01-000
- HOSE 74462-01-000 (100)

BRACKET 114416-03-CHT (64R)
SCREW G67-10-08T (6)

VIEW B-B
49X BED-QUEEN, BACKWALL

- VALVE 132483-01-000
- COUPLING 101814-03-000
- ADAPTER 44927-02-000
- ELBOW 132781-01-000
- TUBING 74462-01-000 (650)



TO FRONT OF UNIT

COVER 74979-01-000

VIEW D-D
 44X BED-QUEEN, SIDEWALL
 45G BED-TWINs

BRACKET 114416-03-CHT (64R)
 SCREW 067-10-08T (6)

00 331C/T