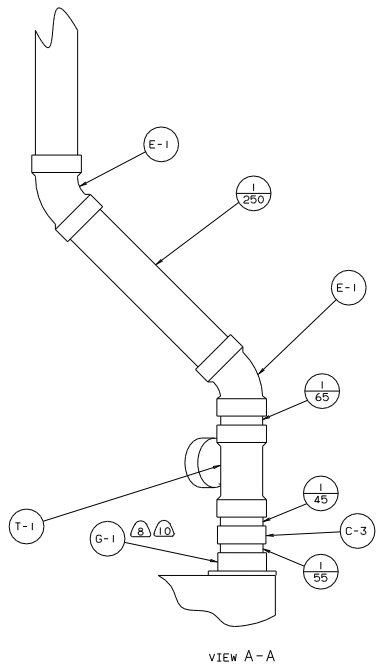


- (15) SECURE VENTS TO FLOOR USING BRACKET 136878-01-CHT, CLAMP 62401-02-000, SCREW 667-10-12B.
- (14) SEE WIRING INSTL-BODY, 12 V FOR ELECTRICAL CONNECTIONS.
- (13) SECURE PIPES TO CABINET USING WIRE TIE 108046-02-000 AND SCREW 667-10-12U (8)
- (12) TRIM P-TRAP EXTENSION TO FIT.
- (11) CLEAN AND APPLY ADHESIVE PROMOTER 87211-01-000 TO BOTH SURFACES AND BOND WITH TAPE.
- (10) SECURE VENT TUBES TO FLOOR.
- (9) VENT PIPE MUST PROJECT 51" MIN AND 64" MAX ABOVE ROOF FOR PROPER FIT AND FUNCTION.
- (8) SEE DWG 61607-01-000 FOR INSTL OF GROMMET.
- (7) SEAL ALL AROUND SHOWER WITH SILICONE 78474-01-CHT.
- 6. FOR CAN UNITS EACH HOLDING TANK SHALL HAVE A CSA APPROVAL STAMPED NEAR THE IAMPO APPROVAL.
- 5. EXPOSED PIPE ABOVE ROOF TO BE PAINTED 37163-01-000.
- 4. ALL EXTERIOR OPENINGS AROUND PIPE TO BE SEALED.
- 3. ALL PIPE AND FITTINGS TO BE ASSEMBLED WITH SOLVENT 4020-01-000.
- 2. SLOPE OF TRAP ARM MUST BE 6 PER 305.
- 1. SLOPE OF HORIZONTAL PIPING TO BE 6 PER 305 MIN.

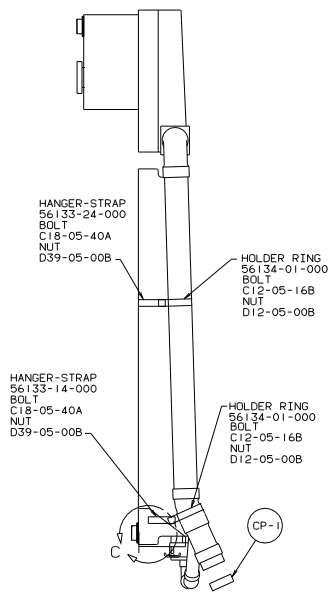
(23T) HEATED HOLDING TANKS-PACKAGE
(43F) SHOWER SURROUND-ABS

(X-X)
FOR DRAINAGE CALLOUTS SEE DWG NO. 116229-01-000

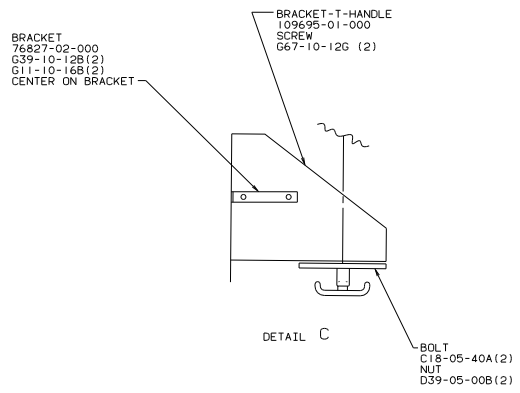
COPYRIGHT 2000 WINNERAGO INDUSTRIES, INC.		00 329N	
DATE	UNSPECIFIED TOLERANCES ARE:	MATERIAL:	
DATE	WHOLE DIM (IN)	1:15	
DATE	ONE-PLACE (IN.X)	.	
DATE	TWO-PLACE (IN.XX)	.	
DATE	THREE-PLACE (IN.XXX)	.	
DATE	FOUR-PLACE (IN.XXXX)	.	
DATE	FIVE-PLACE (IN.XXXXX)	.	
DATE	SIX-PLACE (IN.XXXXXX)	.	
DATE	SEVEN-PLACE (IN.XXXXXXX)	.	
DATE	EIGHT-PLACE (IN.XXXXXXXX)	.	
DATE	NINE-PLACE (IN.XXXXXXXXX)	.	
DATE	TEN-PLACE (IN.XXXXXXXXXX)	.	
DATE	ELEVEN-PLACE (IN.XXXXXXXXXXX)	.	
DATE	TWELVE-PLACE (IN.XXXXXXXXXXX)	.	
DATE	THIRTEEN-PLACE (IN.XXXXXXXXXXX)	.	
DATE	FOURTEEN-PLACE (IN.XXXXXXXXXXX)	.	
DATE	FIFTEEN-PLACE (IN.XXXXXXXXXXX)	.	
DATE	SIXTEEN-PLACE (IN.XXXXXXXXXXX)	.	
DATE	SEVENTEEN-PLACE (IN.XXXXXXXXXXX)	.	
DATE	EIGHTEEN-PLACE (IN.XXXXXXXXXXX)	.	
DATE	NINETEEN-PLACE (IN.XXXXXXXXXXX)	.	
DATE	TWENTY-PLACE (IN.XXXXXXXXXXX)	.	
DATE	TWENTY-ONE-PLACE (IN.XXXXXXXXXXX)	.	
DATE	TWENTY-TWO-PLACE (IN.XXXXXXXXXXX)	.	
DATE	TWENTY-THREE-PLACE (IN.XXXXXXXXXXX)	.	
DATE	TWENTY-FOUR-PLACE (IN.XXXXXXXXXXX)	.	
DATE	TWENTY-FIVE-PLACE (IN.XXXXXXXXXXX)	.	
DATE	TWENTY-SIX-PLACE (IN.XXXXXXXXXXX)	.	
DATE	TWENTY-SEVEN-PLACE (IN.XXXXXXXXXXX)	.	
DATE	TWENTY-EIGHT-PLACE (IN.XXXXXXXXXXX)	.	
DATE	TWENTY-NINE-PLACE (IN.XXXXXXXXXXX)	.	
DATE	THIRTY-PLACE (IN.XXXXXXXXXXX)	.	
DATE	THIRTY-ONE-PLACE (IN.XXXXXXXXXXX)	.	
DATE	THIRTY-TWO-PLACE (IN.XXXXXXXXXXX)	.	
DATE	THIRTY-THREE-PLACE (IN.XXXXXXXXXXX)	.	
DATE	THIRTY-FOUR-PLACE (IN.XXXXXXXXXXX)	.	
DATE	THIRTY-FIVE-PLACE (IN.XXXXXXXXXXX)	.	
DATE	THIRTY-SIX-PLACE (IN.XXXXXXXXXXX)	.	
DATE	THIRTY-SEVEN-PLACE (IN.XXXXXXXXXXX)	.	
DATE	THIRTY-EIGHT-PLACE (IN.XXXXXXXXXXX)	.	
DATE	THIRTY-NINE-PLACE (IN.XXXXXXXXXXX)	.	
DATE	FOURTY-PLACE (IN.XXXXXXXXXXX)	.	
DATE	FOURTY-ONE-PLACE (IN.XXXXXXXXXXX)	.	
DATE	FOURTY-TWO-PLACE (IN.XXXXXXXXXXX)	.	
DATE	FOURTY-THREE-PLACE (IN.XXXXXXXXXXX)	.	
DATE	FOURTY-FOUR-PLACE (IN.XXXXXXXXXXX)	.	
DATE	FOURTY-FIVE-PLACE (IN.XXXXXXXXXXX)	.	
DATE	FOURTY-SIX-PLACE (IN.XXXXXXXXXXX)	.	
DATE	FOURTY-SEVEN-PLACE (IN.XXXXXXXXXXX)	.	
DATE	FOURTY-EIGHT-PLACE (IN.XXXXXXXXXXX)	.	
DATE	FOURTY-NINE-PLACE (IN.XXXXXXXXXXX)	.	
DATE	FIFTY-PLACE (IN.XXXXXXXXXXX)	.	
DATE	FIFTY-ONE-PLACE (IN.XXXXXXXXXXX)	.	
DATE	FIFTY-TWO-PLACE (IN.XXXXXXXXXXX)	.	
DATE	FIFTY-THREE-PLACE (IN.XXXXXXXXXXX)	.	
DATE	FIFTY-FOUR-PLACE (IN.XXXXXXXXXXX)	.	
DATE	FIFTY-FIVE-PLACE (IN.XXXXXXXXXXX)	.	
DATE	FIFTY-SIX-PLACE (IN.XXXXXXXXXXX)	.	
DATE	FIFTY-SEVEN-PLACE (IN.XXXXXXXXXXX)	.	
DATE	FIFTY-EIGHT-PLACE (IN.XXXXXXXXXXX)	.	
DATE	FIFTY-NINE-PLACE (IN.XXXXXXXXXXX)	.	
DATE	SIXTY-PLACE (IN.XXXXXXXXXXX)	.	
DATE	SIXTY-ONE-PLACE (IN.XXXXXXXXXXX)	.	
DATE	SIXTY-TWO-PLACE (IN.XXXXXXXXXXX)	.	
DATE	SIXTY-THREE-PLACE (IN.XXXXXXXXXXX)	.	
DATE	SIXTY-FOUR-PLACE (IN.XXXXXXXXXXX)	.	
DATE	SIXTY-FIVE-PLACE (IN.XXXXXXXXXXX)	.	
DATE	SIXTY-SIX-PLACE (IN.XXXXXXXXXXX)	.	
DATE	SIXTY-SEVEN-PLACE (IN.XXXXXXXXXXX)	.	
DATE	SIXTY-EIGHT-PLACE (IN.XXXXXXXXXXX)	.	
DATE	SIXTY-NINE-PLACE (IN.XXXXXXXXXXX)	.	
DATE	SEVENTY-PLACE (IN.XXXXXXXXXXX)	.	
DATE	SEVENTY-ONE-PLACE (IN.XXXXXXXXXXX)	.	
DATE	SEVENTY-TWO-PLACE (IN.XXXXXXXXXXX)	.	
DATE	SEVENTY-THREE-PLACE (IN.XXXXXXXXXXX)	.	
DATE	SEVENTY-FOUR-PLACE (IN.XXXXXXXXXXX)	.	
DATE	SEVENTY-FIVE-PLACE (IN.XXXXXXXXXXX)	.	
DATE	SEVENTY-SIX-PLACE (IN.XXXXXXXXXXX)	.	
DATE	SEVENTY-SEVEN-PLACE (IN.XXXXXXXXXXX)	.	
DATE	SEVENTY-EIGHT-PLACE (IN.XXXXXXXXXXX)	.	
DATE	SEVENTY-NINE-PLACE (IN.XXXXXXXXXXX)	.	
DATE	EIGHTY-PLACE (IN.XXXXXXXXXXX)	.	
DATE	EIGHTY-ONE-PLACE (IN.XXXXXXXXXXX)	.	
DATE	EIGHTY-TWO-PLACE (IN.XXXXXXXXXXX)	.	
DATE	EIGHTY-THREE-PLACE (IN.XXXXXXXXXXX)	.	
DATE	EIGHTY-FOUR-PLACE (IN.XXXXXXXXXXX)	.	
DATE	EIGHTY-FIVE-PLACE (IN.XXXXXXXXXXX)	.	
DATE	EIGHTY-SIX-PLACE (IN.XXXXXXXXXXX)	.	
DATE	EIGHTY-SEVEN-PLACE (IN.XXXXXXXXXXX)	.	
DATE	EIGHTY-EIGHT-PLACE (IN.XXXXXXXXXXX)	.	
DATE	EIGHTY-NINE-PLACE (IN.XXXXXXXXXXX)	.	
DATE	NINETY-PLACE (IN.XXXXXXXXXXX)	.	
DATE	NINETY-ONE-PLACE (IN.XXXXXXXXXXX)	.	
DATE	NINETY-TWO-PLACE (IN.XXXXXXXXXXX)	.	
DATE	NINETY-THREE-PLACE (IN.XXXXXXXXXXX)	.	
DATE	NINETY-FOUR-PLACE (IN.XXXXXXXXXXX)	.	
DATE	NINETY-FIVE-PLACE (IN.XXXXXXXXXXX)	.	
DATE	NINETY-SIX-PLACE (IN.XXXXXXXXXXX)	.	
DATE	NINETY-SEVEN-PLACE (IN.XXXXXXXXXXX)	.	
DATE	NINETY-EIGHT-PLACE (IN.XXXXXXXXXXX)	.	
DATE	NINETY-NINE-PLACE (IN.XXXXXXXXXXX)	.	
DATE	HUNDRED-PLACE (IN.XXXXXXXXXXX)	.	



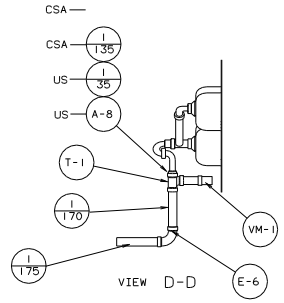
VIEW A-A



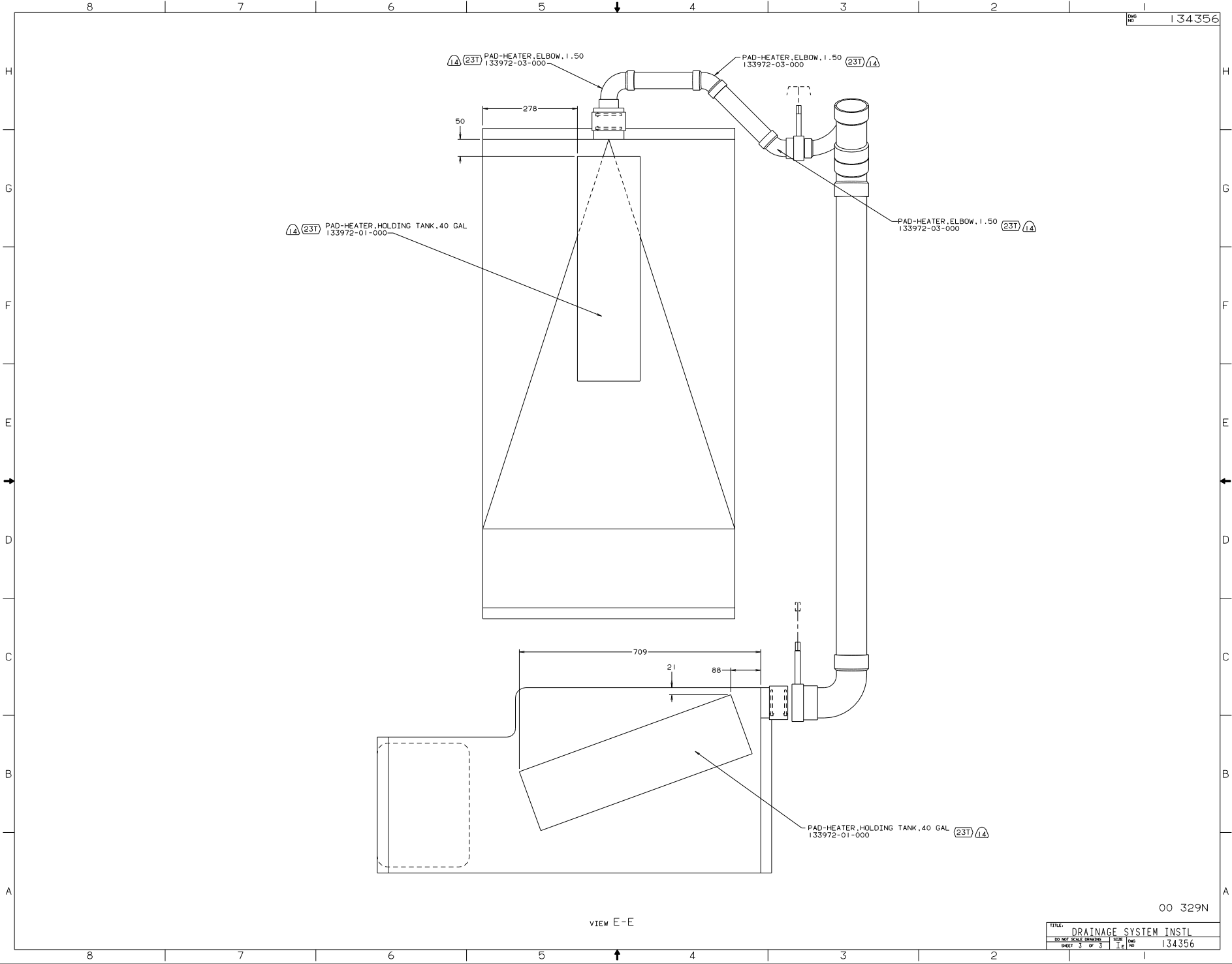
VIEW B-B



DETAIL C



VIEW D-D



14 (23T) PAD-HEATER, HOLDING TANK, 40 GAL
133972-01-000

14 (23T) PAD-HEATER, ELBOW, 1.50
133972-03-000

PAD-HEATER, ELBOW, 1.50 (23T) 14
133972-03-000

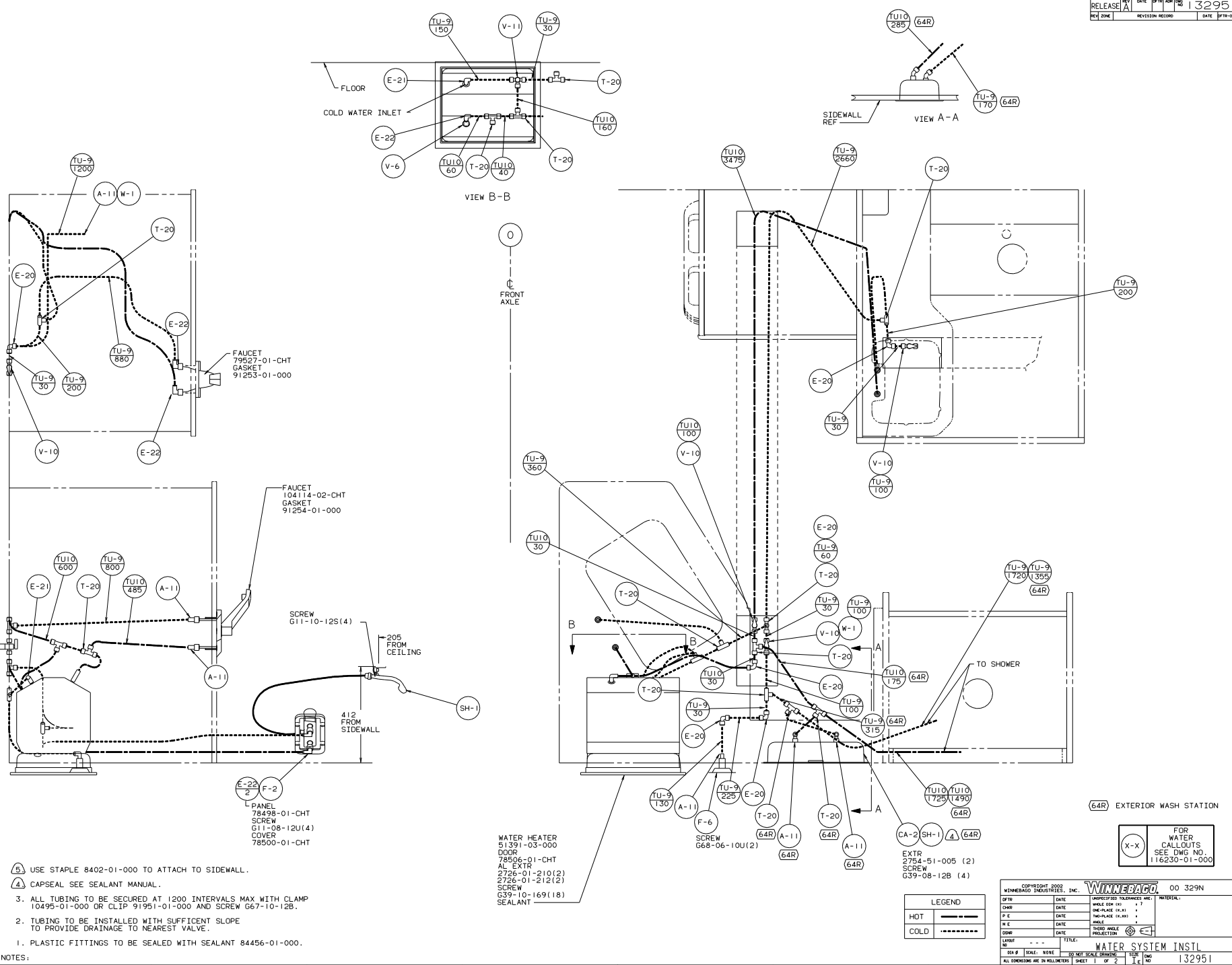
PAD-HEATER, ELBOW, 1.50 (23T) 14
133972-05-000

PAD-HEATER, HOLDING TANK, 40 GAL (23T) 14
133972-01-000

VIEW E-E

00 329N

TITLE: DRAINAGE SYSTEM INSUL		DWG NO: 134356	
30 MET SCALE DRAWING	3	3	1
SHEET 3	OF 3	1	1



- 5) USE STAPLE 8402-01-000 TO ATTACH TO SIDEWALL.
- 4) CAPSEAL SEE SEALANT MANUAL.
3. ALL TUBING TO BE SECURED AT 1200 INTERVALS MAX WITH CLAMP 10495-01-000 OR CLIP 91951-01-000 AND SCREW G67-10-12B.
2. TUBING TO BE INSTALLED WITH SUFFICIENT SLOPE TO PROVIDE DRAINAGE TO NEAREST VALVE.
1. PLASTIC FITTINGS TO BE SEALED WITH SEALANT 84456-01-000.

NOTES:

WATER HEATER
 51391-03-000
 DOOR
 78506-01-000
 AL EXTR
 2726-01-210(2)
 2726-01-212(2)
 SCREW
 G39-10-169(18)
 SEALANT

LEGEND	
HOT	—————
COLD	- - - - -

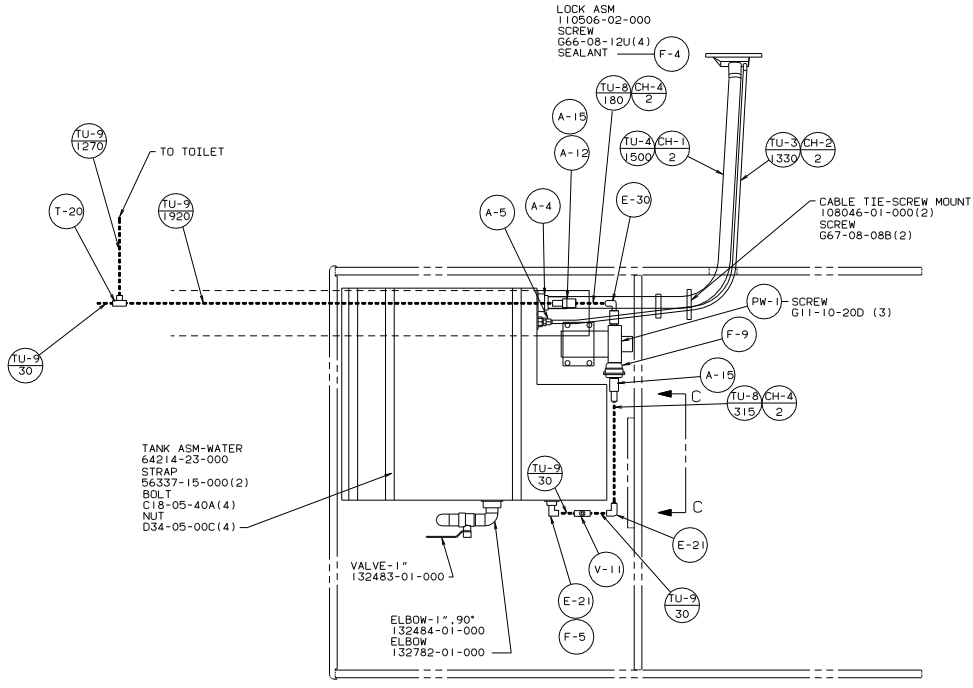
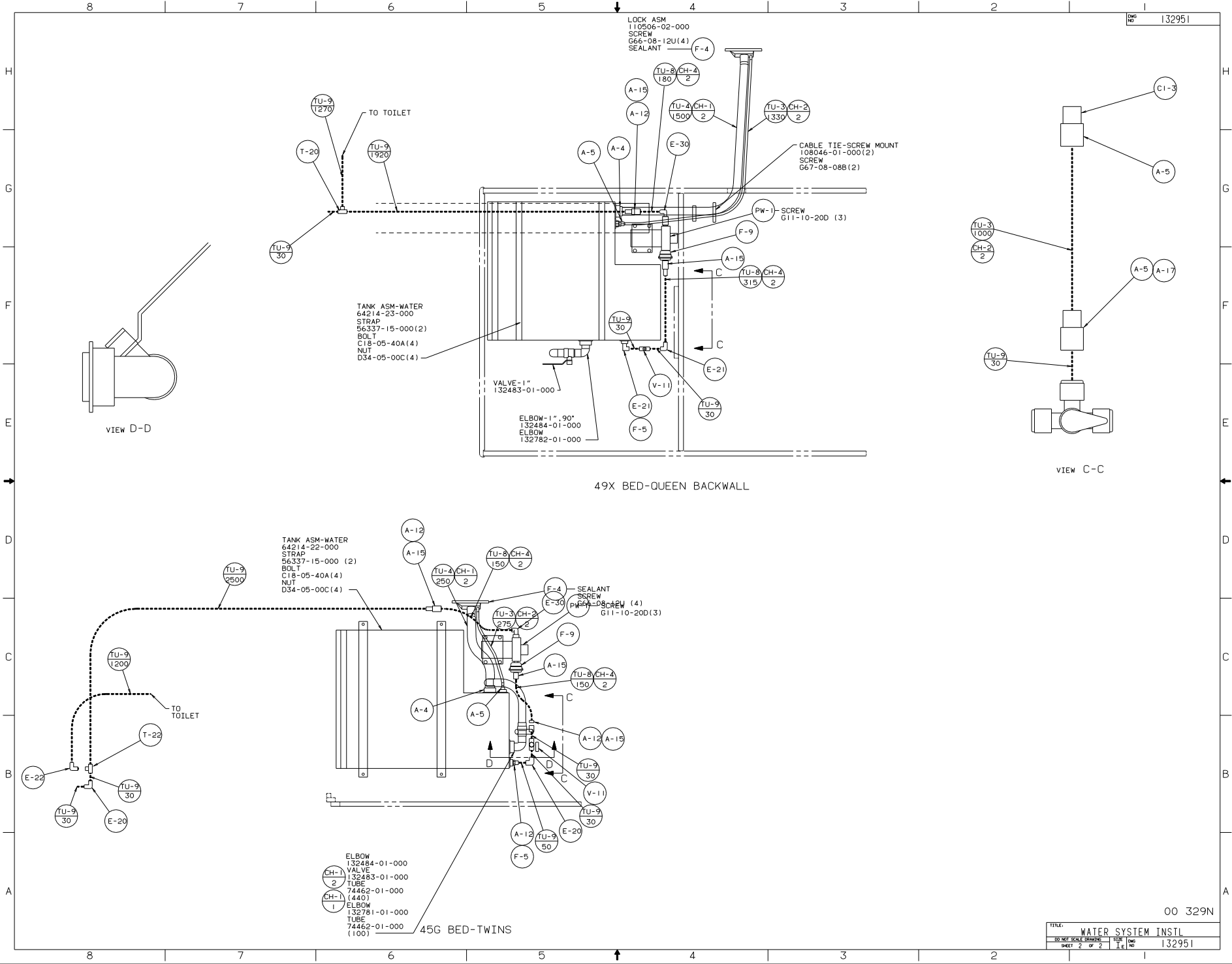
(X-X) FOR WATER CALLOUTS SEE DWG NO. 116230-01-000

(64R) EXTERIOR WASH STATION

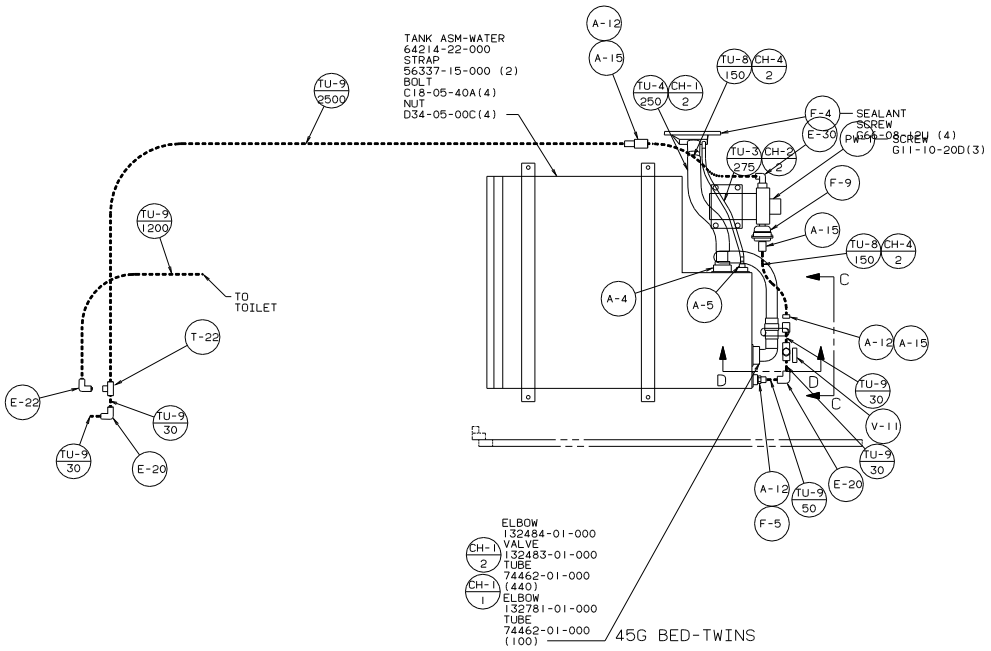
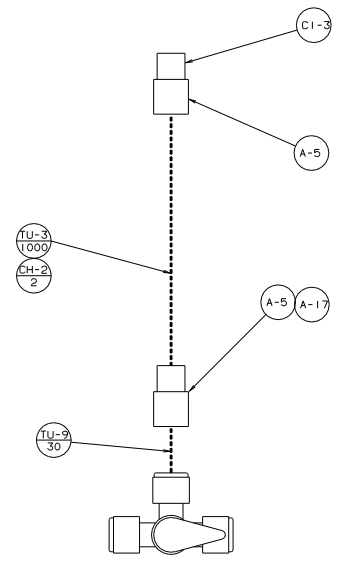
WINNERAGO INDUSTRIES, INC. 00 329N

OPTR	DATE	UNSPECIFIED TOLERANCES ARE:	MATERIAL
CHRP	DATE	WHOLE OR 1/16"	
FXE	DATE	ONE-PLACE (X.X1)	
FXE	DATE	TWO-PLACE (X.XX)	
COMR	DATE	THIRD ANGLE PROJECTION	

LANOT: - - - - - TITLE: WATER SYSTEM INSTL
 REF: 130697 C 1
 132951



49X BED-QUEEN BACKWALL



45G BED-TWINS