

FRONT OF COACH

- NOTES:
7. SECURE VENT TO FLOOR WITH BRACKET 136878-01-CHT CLAMP 62401-02-000, SCREW G67-10-12B.
 6. VENT PIPE MUST PROECT 51 MIN AND 64 MAX ABOVE ROOF FOR PROPER FIT AND FUNCTION.
 5. SEAL AROUND SHOWER WITH SILICONE.
 4. ALL EXTERIOR OPENINGS AROUND PIPE TO BE SEALED WITH 110744-01-000.
 3. ALL PIPE AND FITTINGS TO BE ASSEMBLED WITH SOLVENT 4020-01-000.
 2. SLOPE OF TRAP ARM MUST BE 6 PER 305 mm.
 1. SLOPE OF HORIZONTAL PIPING TO BE 6 PER 305 mm.

(265) CODES/STDS - CSA/CMVSS
 (1B1) CODES/STANDARDS/USA

WINNEBAGO		COPYRIGHT 2002 WINNEBAGO INDUSTRIES, INC.	
D/FR	ORIG. DATE	ALL DIMENSIONS ARE IN MILLIMETERS	
CHKR		FIRST USED	
P.E.		02 329B	
M.E.		UNSPECIFIED TOLERANCES ARE:	
DSNR		MATERIAL:	
		WHOLE DIM (X) :	3
		ONE-PLACE (X.X) :	
		TWO-PLACE (X.XX) :	
		ANGLE :	
		THIRD ANGLE PROJECTION	
DO NOT SCALE DRAWING			
TITLE: DRAINAGE SYSTEM INSTL			
SHEET 1 OF 3	PART NO	138457	

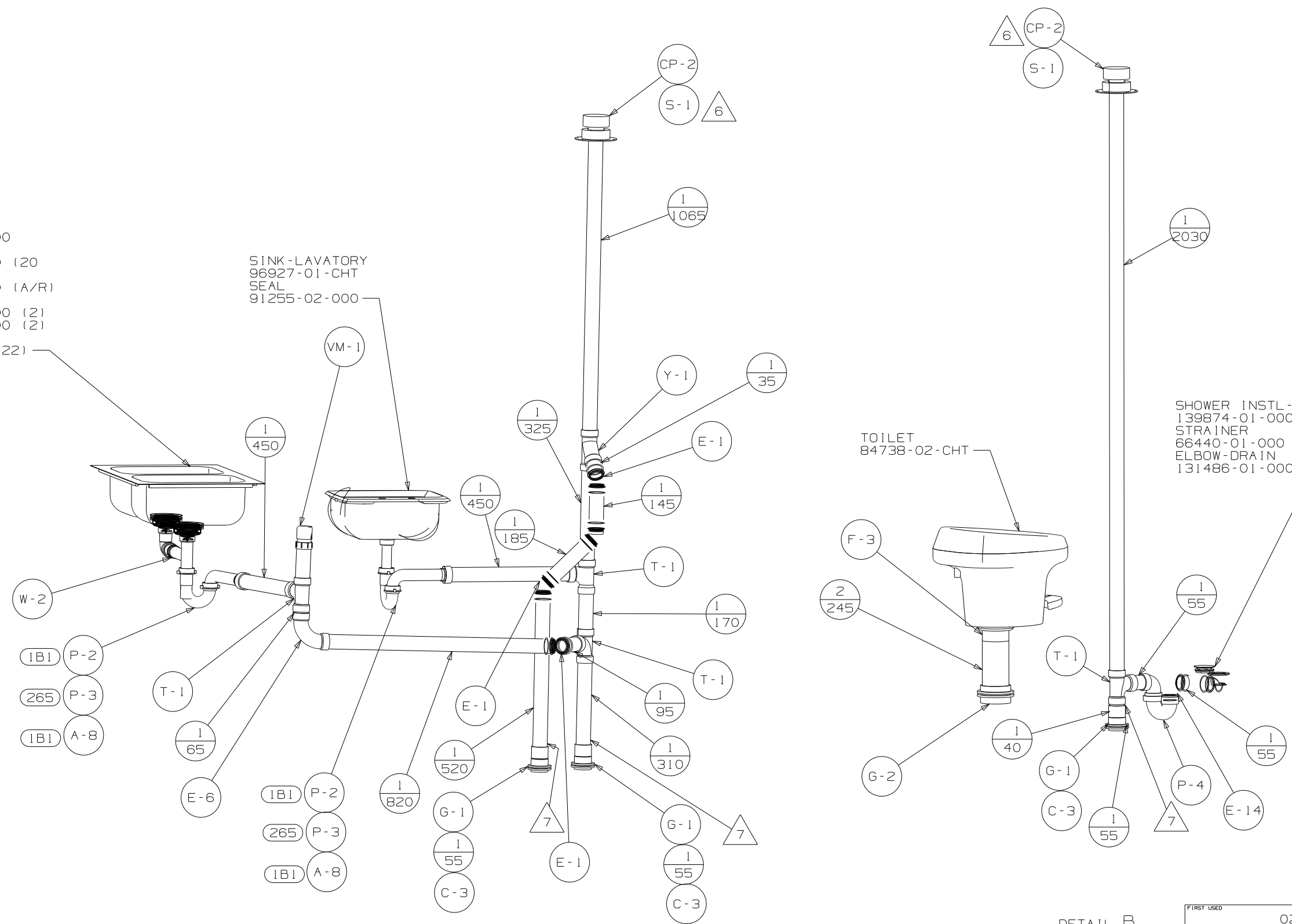
(X-X)
 FOR DRAINAGE
 CALLOUTS
 SEE DWG NO
 116229-01-000

SINK-SST
 104113-01-000
 STRAINER
 92303-01-000 (20)
 SEAL
 91255-02-000 (A/R)
 RETAINER
 105497-01-000 (2)
 105497-02-000 (2)
 SCREW
 667-10-126 (22)

SINK-LAVATORY
 96927-01-CHT
 SEAL
 91255-02-000

TOILET
 84738-02-CHT

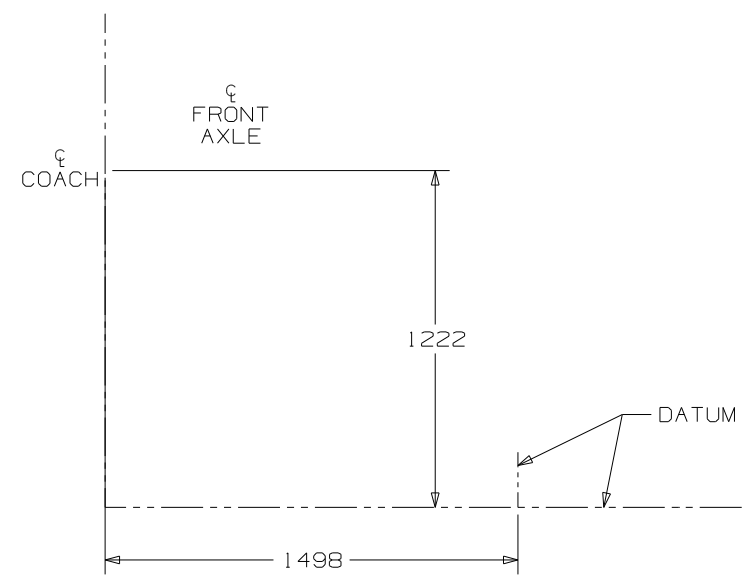
SHOWER INSTL-ENCLOSURE
 139874-01-000
 STRAINER
 66440-01-000
 ELBOW-DRAIN
 131486-01-000



DETAIL A

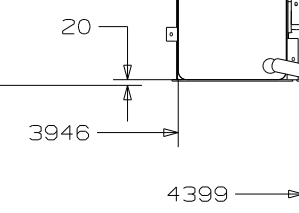
DETAIL B

FIRST USED	02 329B
TITLE	DO NOT SCALE DRAWING
	DRAINAGE SYSTEM INSTL
SHEET 2	PART NO 138457

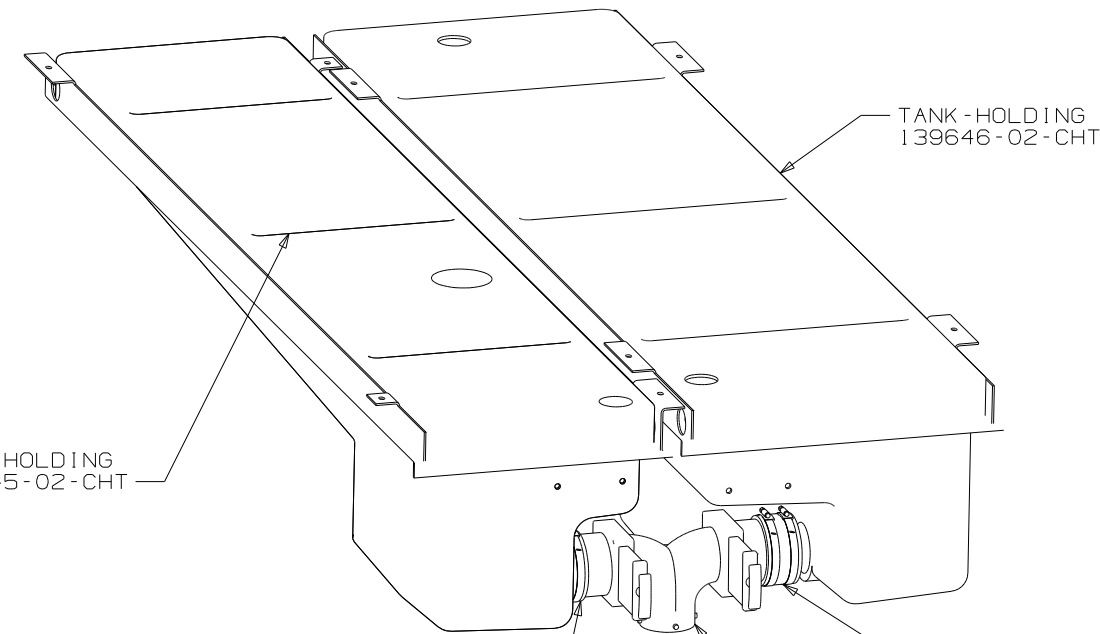


CRADEL ASM
 139596-01-CHT
 BOLT
 C18-05-40A (4)
 NUT
 D13-05-00B (4)

CRADEL ASM
 139597-01-CHT
 BOLT
 C18-05-40A (4)
 NUT
 D13-05-00B (4)

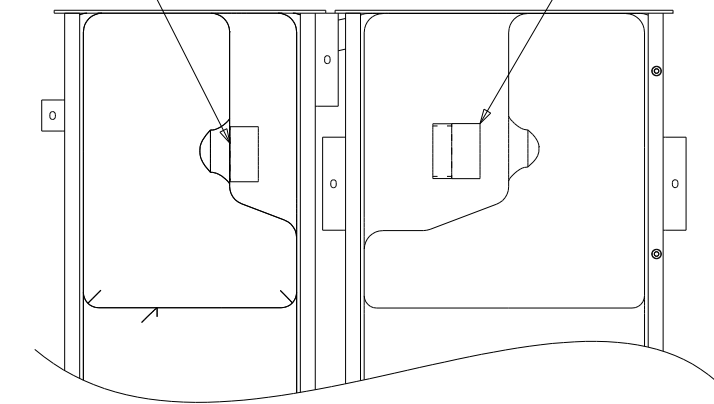


VIEW D

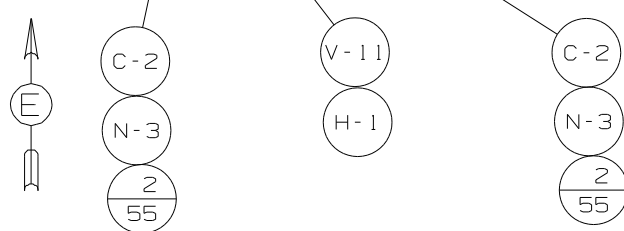


PAD-HEATER
 133972-04-CHT

PAD-HEATER
 133972-04-CHT

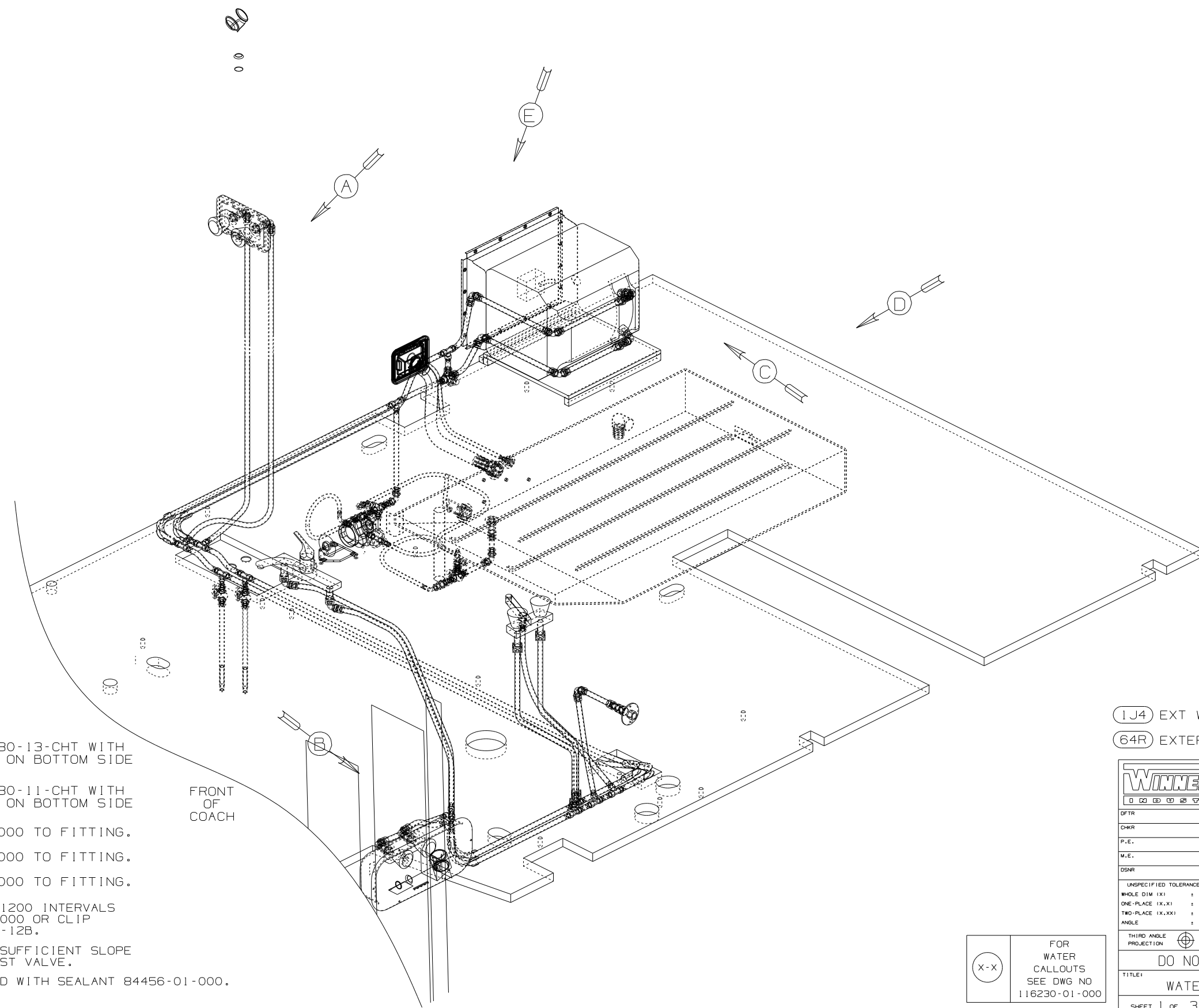


VIEW E-E



VIEW C

FIRST USED	02 329B
DO NOT SCALE DRAWING	
TITLE	DRAINAGE SYSTEM INSTL
SHEET 3	PART NO 138457



- 8 ATTACH WASHER-PLASTIC 87080-13-CHT WITH TAPE-DOUBLE 123816-03-000 ON BOTTOM SIDE OF LOWER FLOOR.
- 7 ATTACH WASHER-PLASTIC 87080-11-CHT WITH TAPE-DOUBLE 123816-03-000 ON BOTTOM SIDE OF COMPARTMENT.
- 6 ADD TEFLON TAPE 10405-01-000 TO FITTING.
- 5 ADD TEFLON TAPE 10405-03-000 TO FITTING.
- 4 ADD TEFLON TAPE 10405-02-000 TO FITTING.

FRONT OF COACH

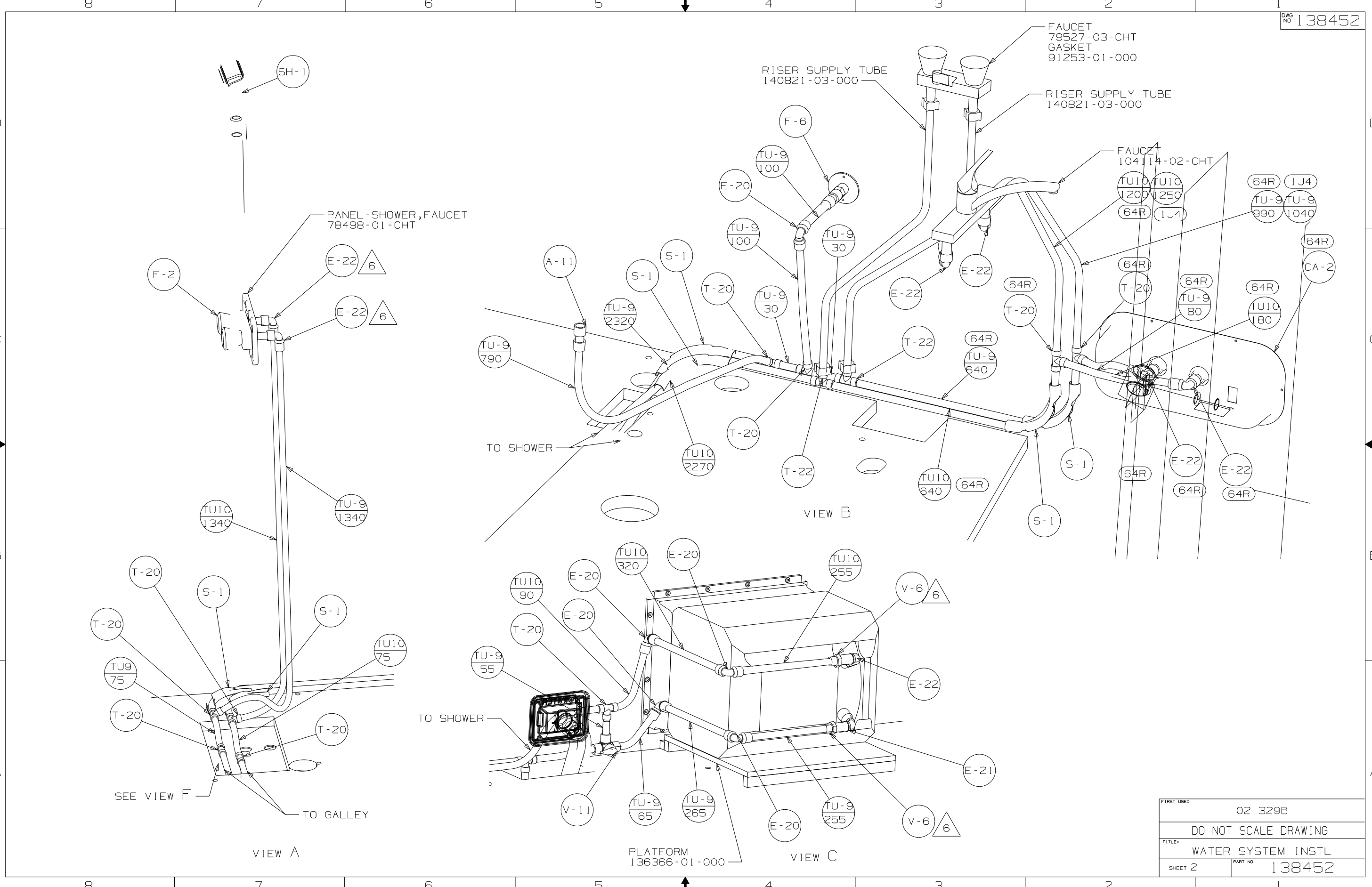
- 3. ALL TUBING TO BE SECURED AT 1200 INTERVALS MAXIMUM WITH CLAMP 10495-01-000 OR CLIP 9151-01-000 AND SCREW G67-10-12B.
- 2. TUBING TO BE INSTALLED WITH SUFFICIENT SLOPE TO PROVIDE DRAINAGE TO NEAREST VALVE.
- 1. PLASTIC FITTINGS TO BE SEALED WITH SEALANT 84456-01-000.

NOTES:

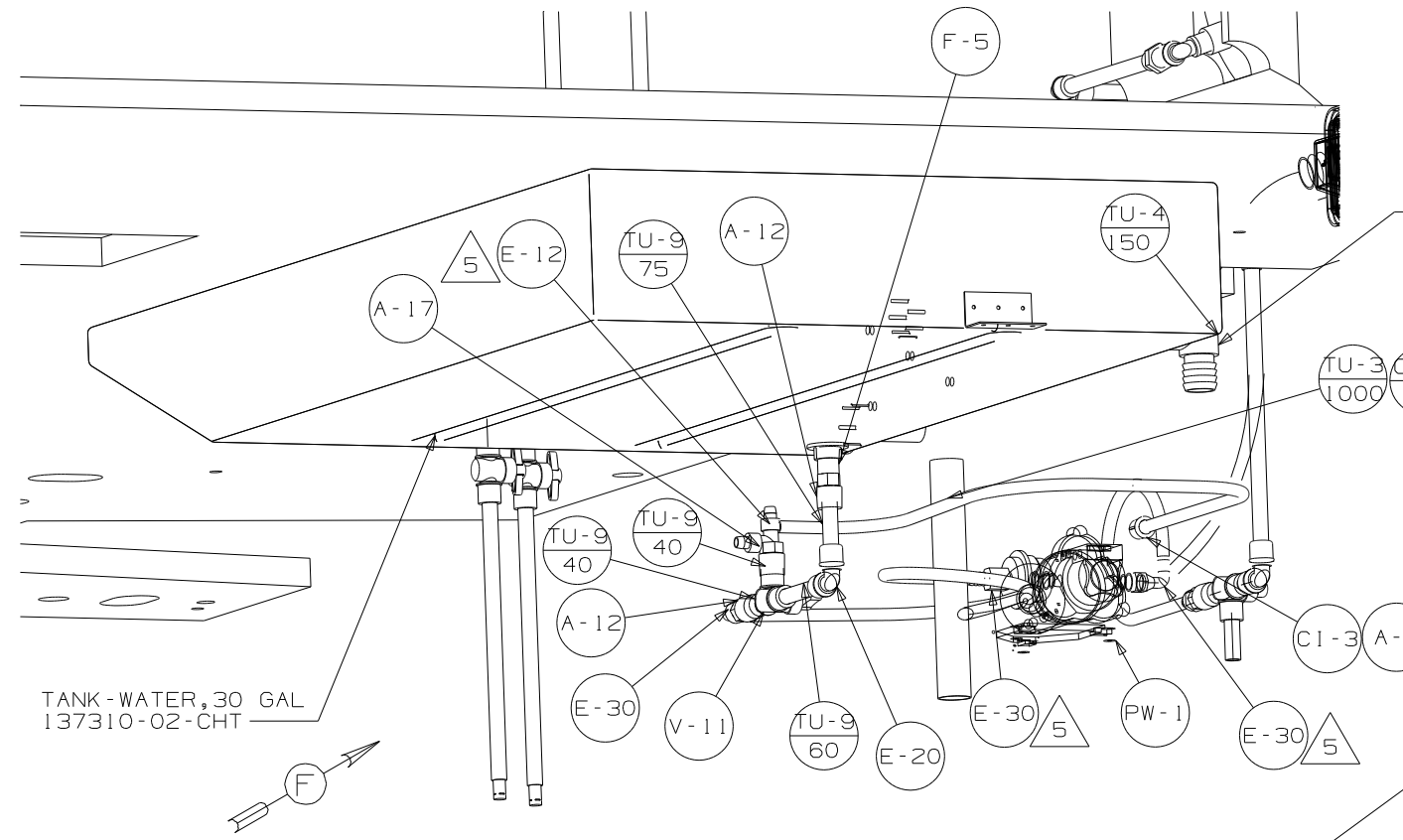
- 1J4 EXT WASH STATION W/O
- 64R EXTERIOR WASH STATION

WINNEBAGO		COPYRIGHT 2002 WINNEBAGO INDUSTRIES, INC.	
DFTR	ORIG. DATE	ALL DIMENSIONS ARE IN MILLIMETERS	
CHKR		FIRST USED	
P.E.		02 329B	
M.E.		UNSPECIFIED TOLERANCES ARE:	
DSNR		MATERIAL:	
		WHOLE DIM (X)	: 7
		ONE-PLACE (X.X)	:
		TWO-PLACE (X.XX)	:
		ANGLE	:
THIRD ANGLE PROJECTION		DO NOT SCALE DRAWING	
TITLE: WATER SYSTEM INSTL			
SHEET 1 OF 3		PART NO 138452	

(X-X)
FOR WATER CALLOUTS
SEE DWG NO 116230-01-000



FIRST USED	02 329B
TITLE	DO NOT SCALE DRAWING
TITLE	WATER SYSTEM INSTL
SHEET 2	PART NO 138452

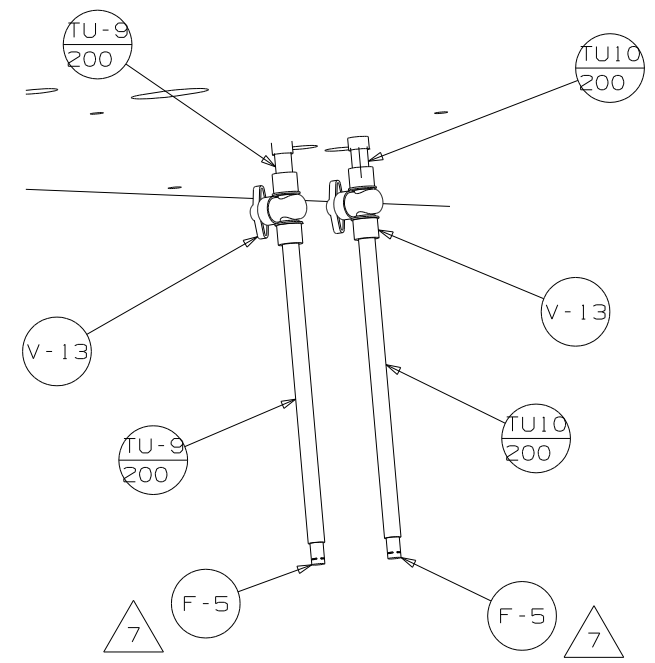


VIEW D

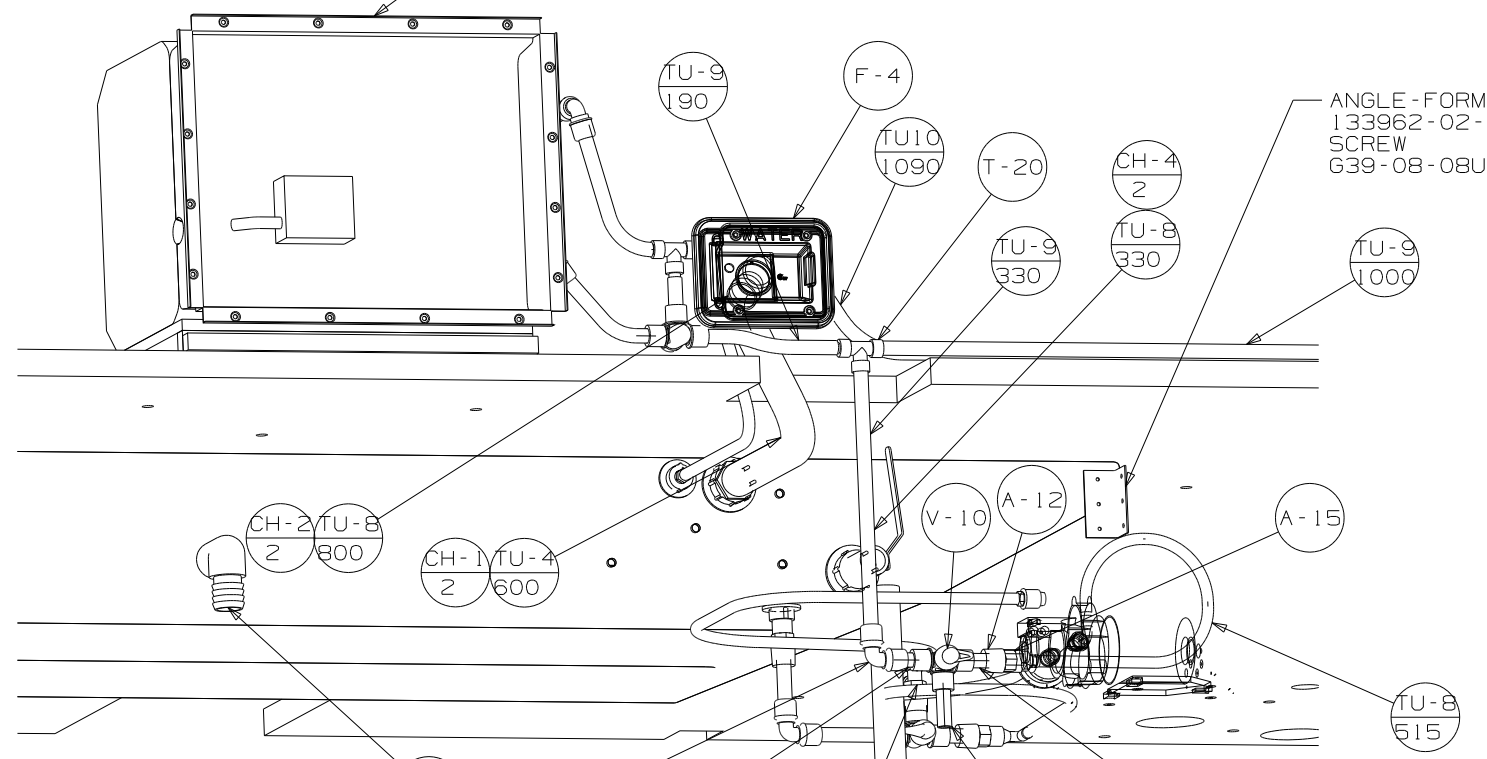
TANK - WATER, 30 GAL
137310-02-CHT

VALVE
132483-01-000
ELBOW
132782-01-000

WATER HEATER
51391-03-000
DOOR
78506-01-CHT
AL EXTR
2726-01-210 (2)
2726-01-212 (2)
SCREW
G39-10-169 (18)
SEALANT



VIEW F



VIEW E

ANGLE-FORMED W/HOLES
133962-02-CHT (3)
SCREW
G39-08-08U (6)

FIRST USED	02 329B
DO NOT SCALE DRAWING	
TITLE:	WATER SYSTEM INSTL
SHEET 3	PART NO 138452