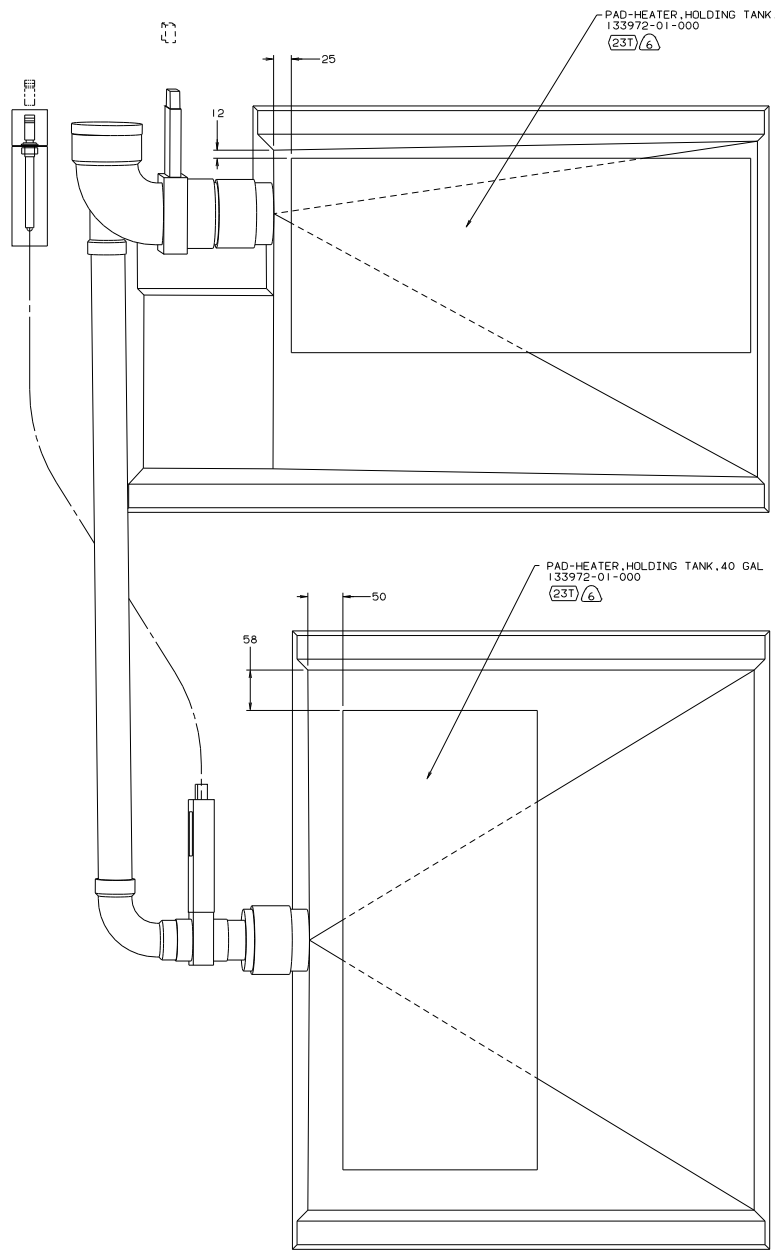


DETAIL B

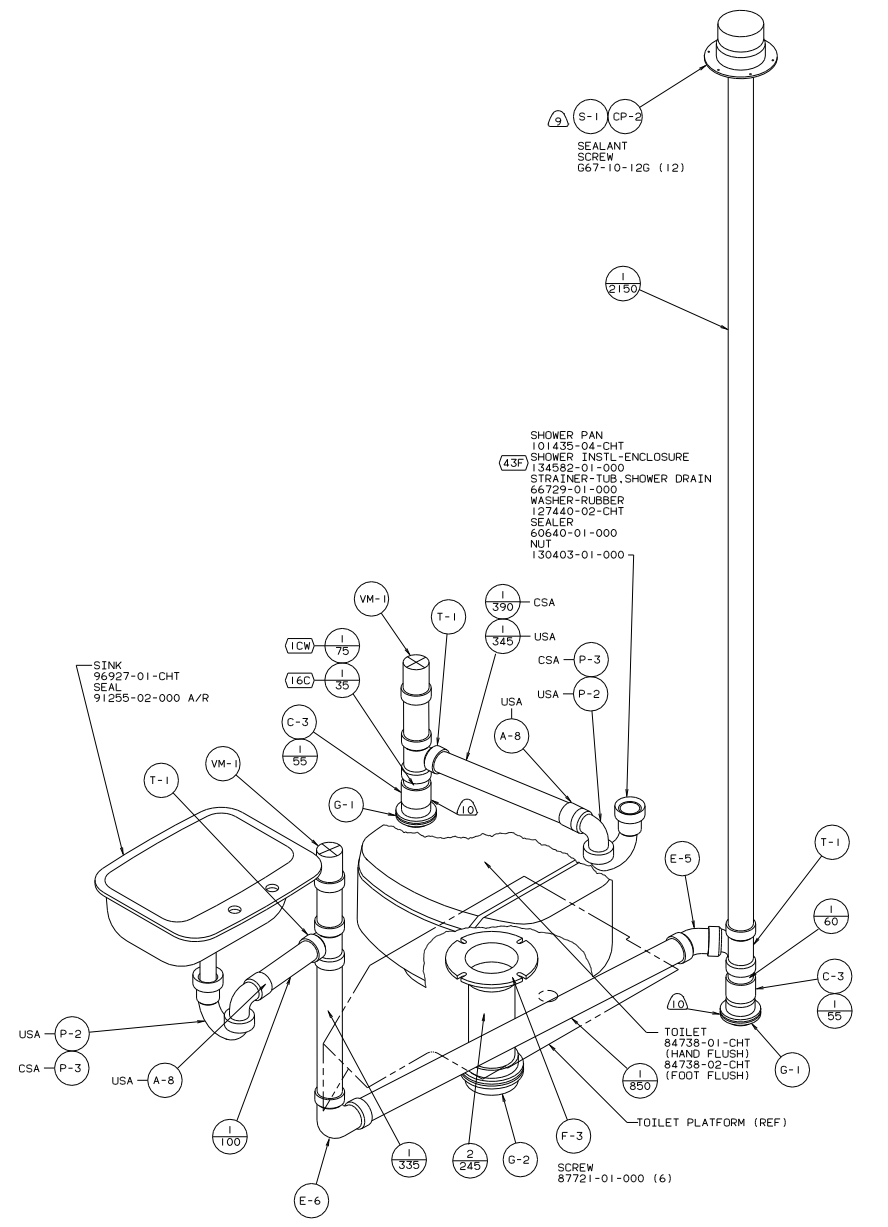
DETAIL A (49X)

DETAIL A (33R) (438)

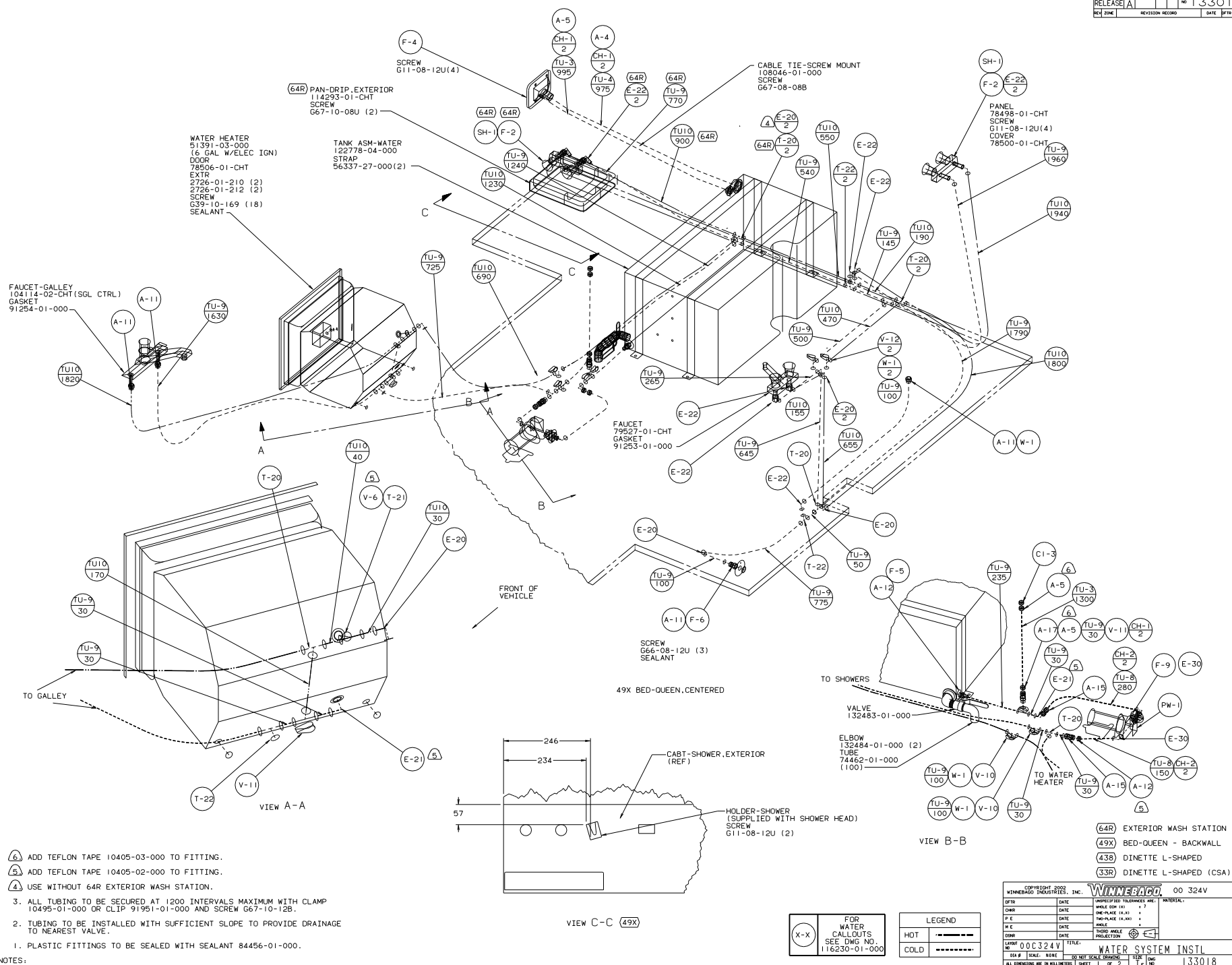
TITLE: DRAINAGE SYSTEM INSILL	
30 MIL SCALE DRAWING	FIG. NO. 1E
SHEET 2 OF 3	134357



VIEW D-D



DETAIL C



WATER HEATER
 51391-03-000
 (6 GAL W/ELEC IGN)
 DDDR
 78506-01-CHT
 EXTR
 2726-01-210 (2)
 2726-01-212 (2)
 SCREW
 G39-10-169 (18)
 SEALANT

(64R) PAN-DRIP, EXTERIOR
 114293-01-CHT
 SCREW
 G67-10-08U (2)

TANK ASM-WATER
 122778-04-000
 STRAP
 56337-27-000 (2)

FAUCET-GALLEY
 104114-02-CHT (SGL CTRL)
 GASKET
 91254-01-000

FAUCET
 79527-01-CHT
 GASKET
 91253-01-000

SCREW
 G66-08-12U (3)
 SEALANT

CABLE TIE-SCREW MOUNT
 108046-01-000
 SCREW
 G67-08-08B

PANEL
 78498-01-CHT
 SCREW
 G11-08-12U (4)
 COVER
 78500-01-CHT

VALVE
 132483-01-000

ELBOW
 132484-01-000 (2)
 TUBE
 74462-01-000 (100)

CABT-SHOWER, EXTERIOR
 (REF)

HOLDER-SHOWER
 (SUPPLIED WITH SHOWER HEAD)
 SCREW
 G11-08-12U (2)

- NOTES:
1. PLASTIC FITTINGS TO BE SEALED WITH SEALANT 84456-01-000.
 2. TUBING TO BE INSTALLED WITH SUFFICIENT SLOPE TO PROVIDE DRAINAGE TO NEAREST VALVE.
 3. ALL TUBING TO BE SECURED AT 1200 INTERVALS MAXIMUM WITH CLAMP 10495-01-000 OR CLIP 91951-01-000 AND SCREW G67-10-12B.

LEGEND	
HOT	---
COLD	----

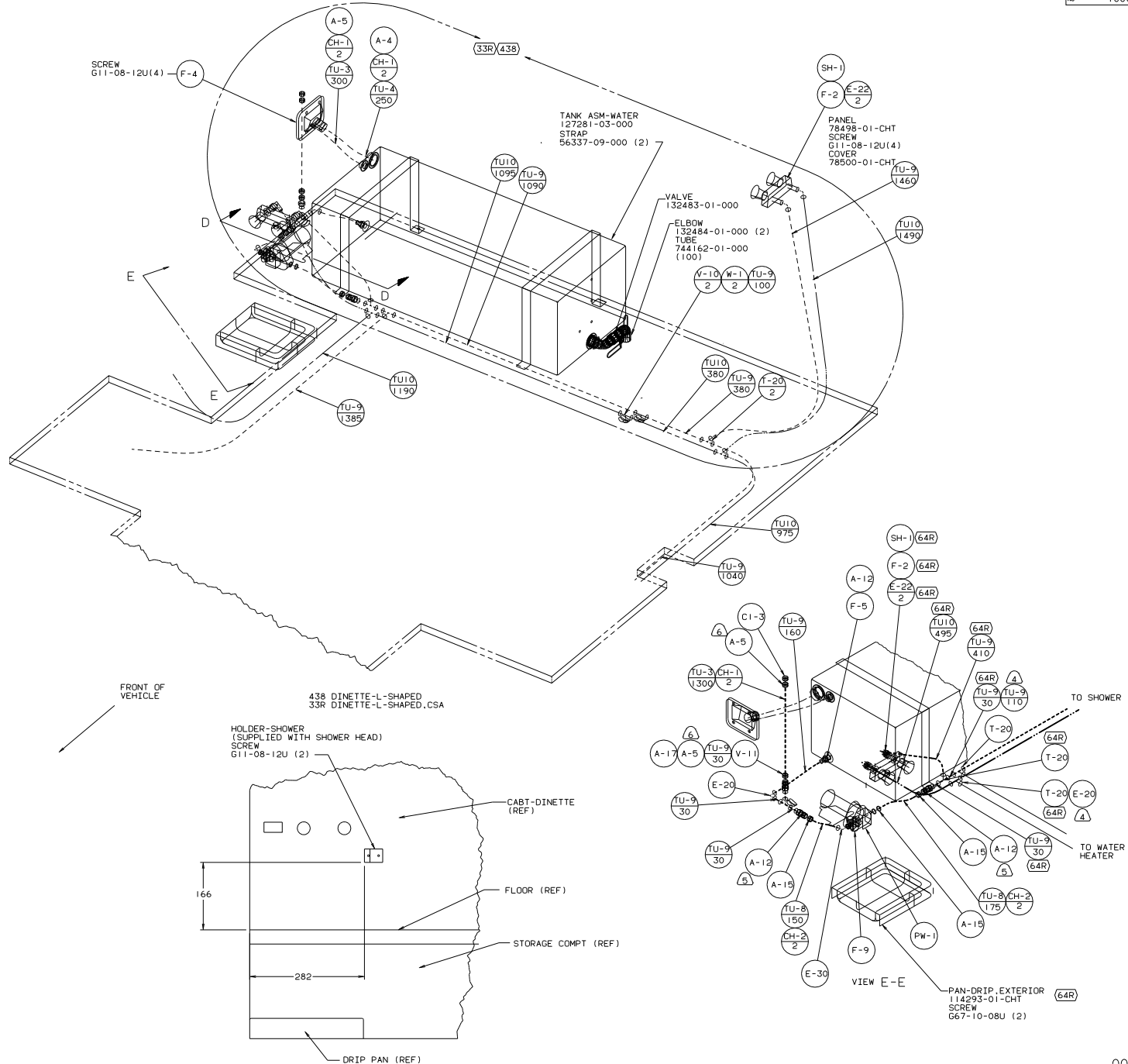
(X-X)
 FOR WATER CALLOUTS SEE DWG NO. 116230-01-000

- (64R) EXTERIOR WASH STATION
- (49X) BED-QUEEN - BACKWALL
- (438) DINETTE L-SHAPED
- (33R) DINETTE L-SHAPED (CSA)

WATER SYSTEM INSTL
 133018

00C324V

DATE: 10/11/14
 DRAWN BY: [Signature]
 CHECKED BY: [Signature]
 TITLE: WATER SYSTEM INSTL



FRONT OF VEHICLE

438 DINETTE-L-SHAPED
33R DINETTE-L-SHAPED,CSA

HOLDER-SHOWER
(SUPPLIED WITH SHOWER HEAD)
SCREW
G11-08-12U (2)

CABT-DINETTE
(REF)

FLOOR (REF)

STORAGE COMPT (REF)

DRIP PAN (REF)

VIEW D-D (33R) 438

166

282