

- SINK
 104113-01-000
 SEAL
 91255-02-000 (A/R)
 STRAINER
 92303-01-000 (2)
 SEALANT
 ANGLE-SINK RETAINER
 105497-01-000 (2)
 105497-02-000 (2)
 SCREW
 G67-10-12G (22)

- TANK-HOLDING
 74861-14-000
 CRADLE ASM
 56076-22-000
 BOLT
 C18-05-96A (4)
 NUT
 D39-05-00B (4)

- TOILET-HIGH
 131932-01-CHT(HAND FLUSH)
 131932-02-CHT(FOOT FLUSH)
 SPACER-TOILET
 131786-02-CHT
 SCREW
 G57-14-64B (8)

- SHOWER PAN
 104465-01-CHT
 SHOWER ENCLOSURE INSTL (43F)
 104466-01-000
 STRAINER
 56440-01-000
 SEALER
 69640-01-000
 WASHER-RUBBER
 127440-02-CHT
 TAILPIECE
 11069-02-000
 NUT
 130403-01-000

- SINK
 96927-01-CHT
 SEAL
 91255-02-000 (A/R)

- TANK-HOLDING
 71271-04-000
 CRADLE ASM
 56076-33-000
 BOLT
 C18-05-96A (4)
 NUT
 D39-05-00B (4)

- ANGLE-ROD, T-HANDLE
 109694-02-000
 BEARING-SNAP IN
 68938-03-000

- BRACKET
 109695-03-000
 SCREW
 G11-10-16B (2)
 BRACKET
 76827-02-000
 SCREW
 G39-10-12B (2)
 G11-10-16B (2)

- (23T) HEATED HOLDING TANKS-PACKAGE
 (43F) SHOWER SURROUND

- (13) SEE WIRING INSTL-BODY, 12V FOR ELECTRICAL CONNECTIONS.
 (14) SECURE PIPES TO CABINETS USING WIRE TIE 108046-02-000 AND SCREW G67-10-12U (8).
 (15) NOT USED WITH 43F SHOWER SURROUND.
 (16) SECURE DRAIN TUBES TO FLOOR.
 (17) VENT PIPE MUST PROJECT 51 MM MIN AND 64 MM MAX ABOVE ROOF FOR PROPER FIT AND FUNCTION.
 (18) SEE DWG 61607-01-000 FOR INSTL OF GROMMETS.
 (19) SEAL ALL AROUND SHOWER WITH SILICONE 78474-01-CHT.
 6. FOR CANADIAN UNITS EACH HOLDING TANK SHALL HAVE A CSA APPROVAL STAMPED NEAR THE IAMPO APPROVAL.
 5. EXPOSED PIPE ABOVE ROOF TO BE PAINTED WITH 37163-01-000.
 4. ALL EXTERIOR OPENINGS AROUND PIPE TO BE SEALED WITH 11074-01-000.
 3. ALL PIPE AND FITTINGS TO BE ASSEMBLED WITH SOLVENT 4020-01-000.
 2. SLOPE OF TRAP ARM MUST BE 6 PER 305.
 1. SLOPE OF HORIZONTAL PIPING TO BE 6 PER 305 MIN.

(X-X)

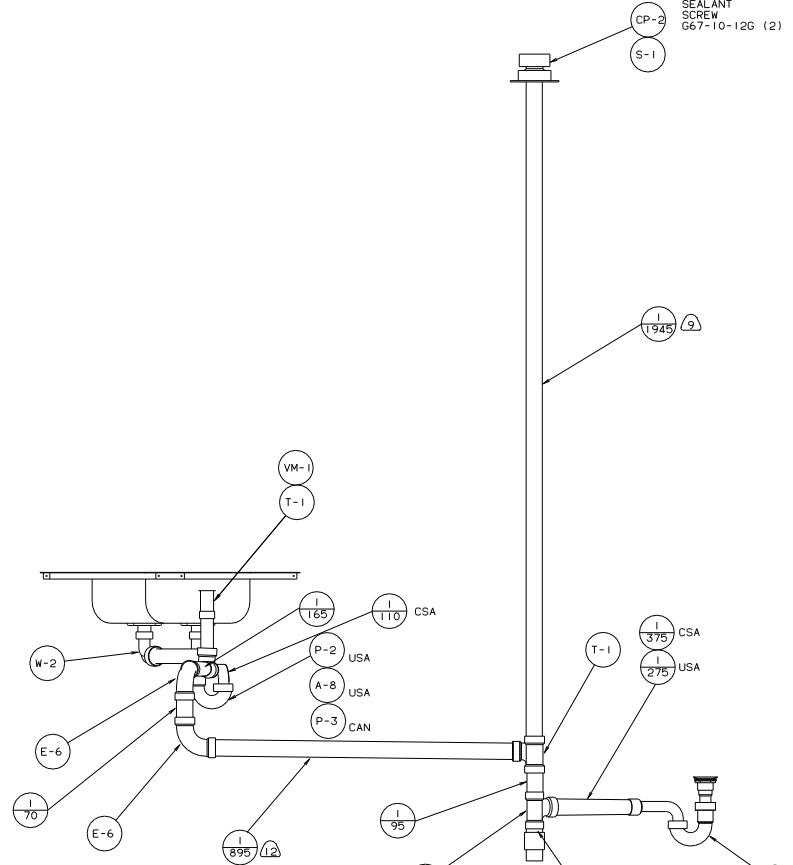
FOR DRAINAGE CALLOUTS
 SEE DWG NO. 116229-01-000

WINNERBAGO INDUSTRIES, INC. 00 322R

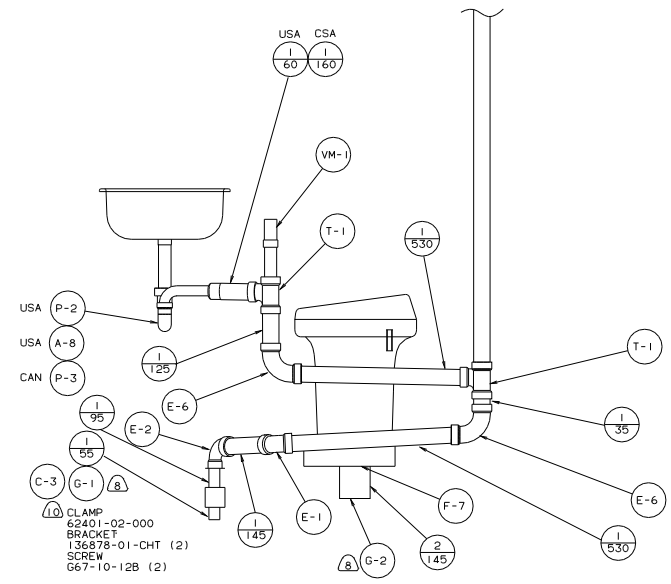
DATE	UNSPECIFIED TOLERANCES ARE:	MATERIAL:
DATE	WHOLE DIM (S)	F
DATE	ONE-PLACE (S, M)	F
DATE	TWO-PLACE (S, M, X)	F
DATE	THIRD PLACE	F
DATE	THIRD PLACE PROJECTION	F

DRWG NO. 322R TITLE: DRAINAGE SYSTEM INSTL
 131915

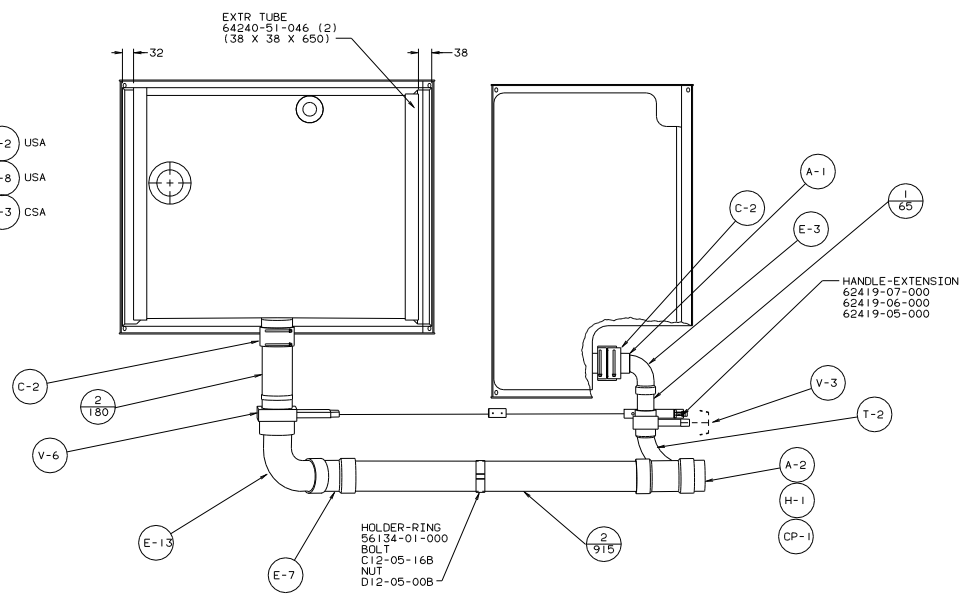
SEALANT
SCREW
G67-10-126 (2)



VIEW A-A

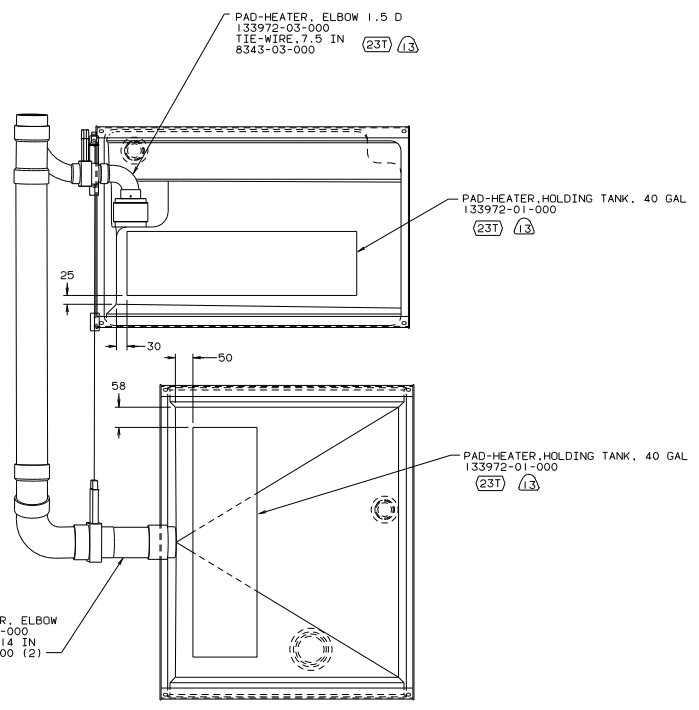


VIEW B-B

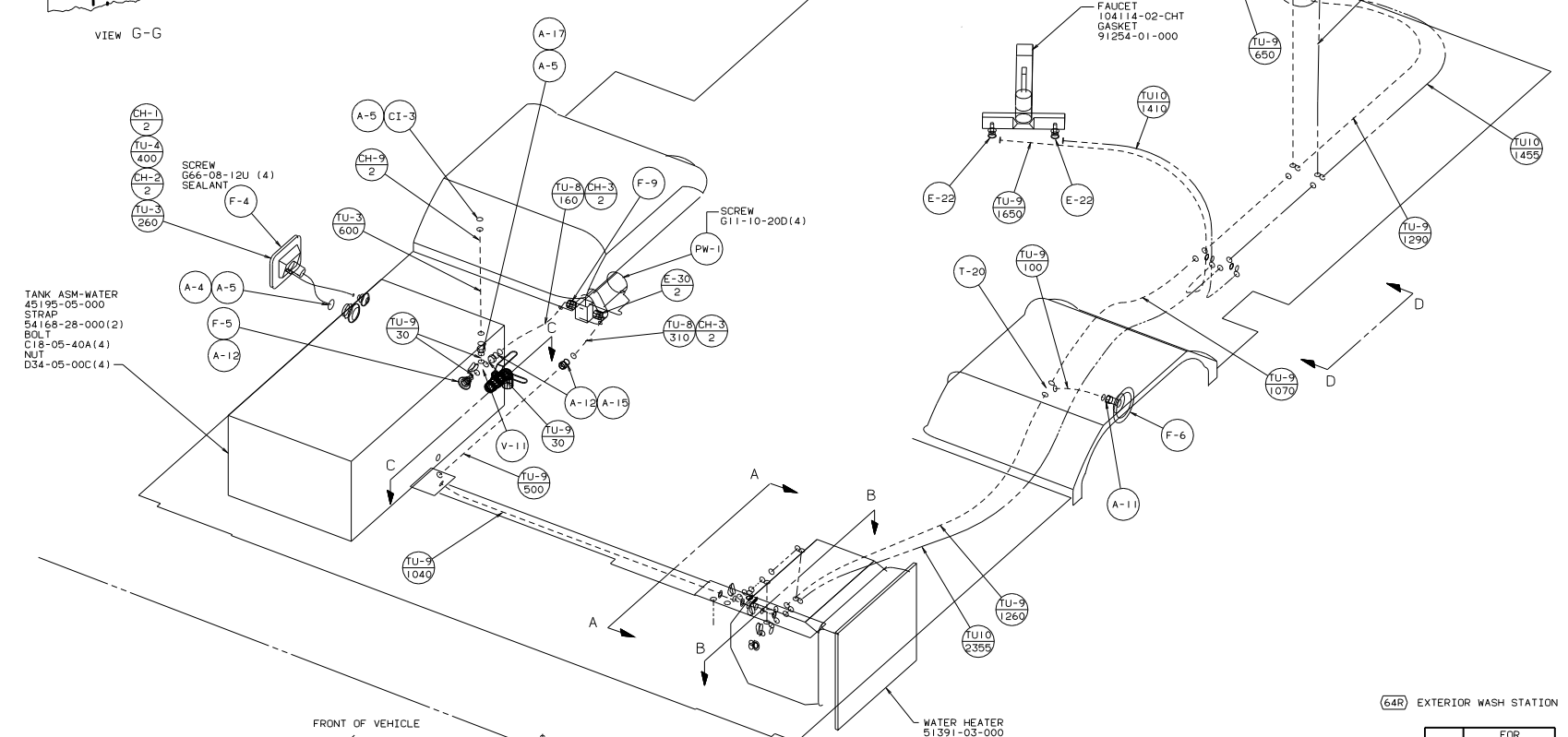
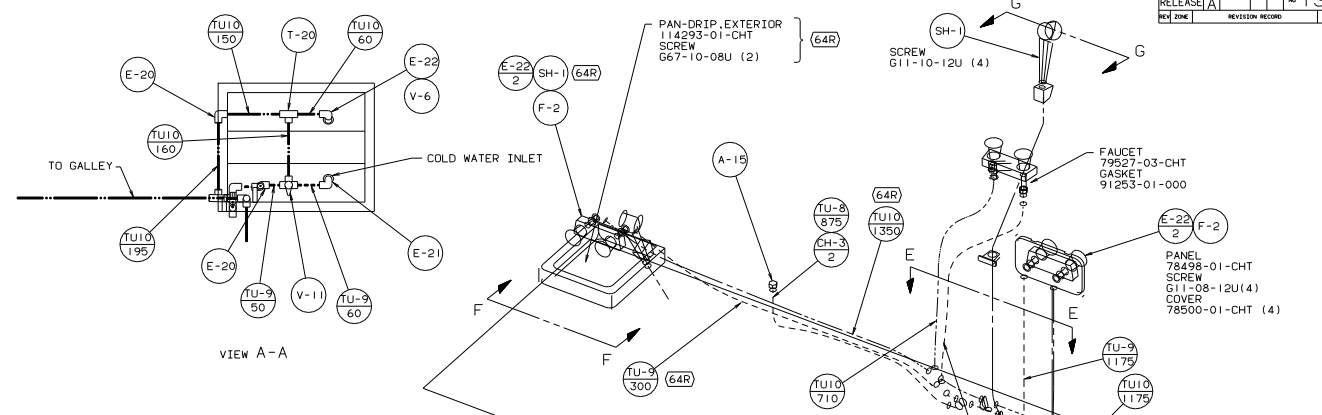
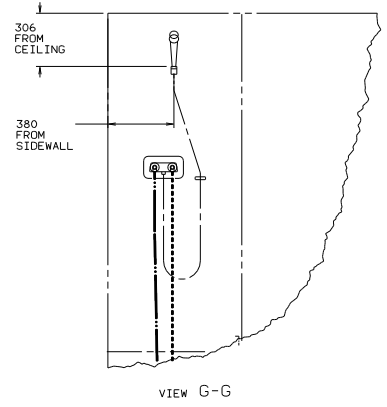


VIEW C-C

00 322R



VIEW D-D



- NOTES:
1. PLASTIC FITTINGS TO BE SEALED WITH SEALANT 84456-01-000.
 2. TUBING TO BE INSTALLED WITH SUFFICIENT SLOPE TO PROVIDE DRAINAGE TO NEAREST VALVE.
 3. ALL TUBING TO BE SECURED AT 1200 INTERVALS MAXIMUM WITH CLAMP 10495-01-000 AND SCREW G67-10-12B.

LEGEND	
HOT	—————
COLD	—————

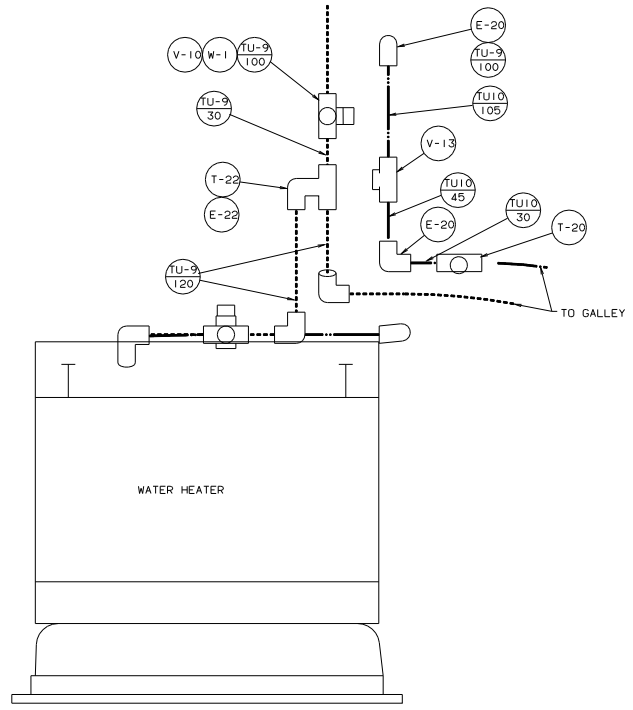
(64R) EXTERIOR WASH STATION

X-X FOR WATER CALLOUTS SEE DWG NO. 116230-01-000

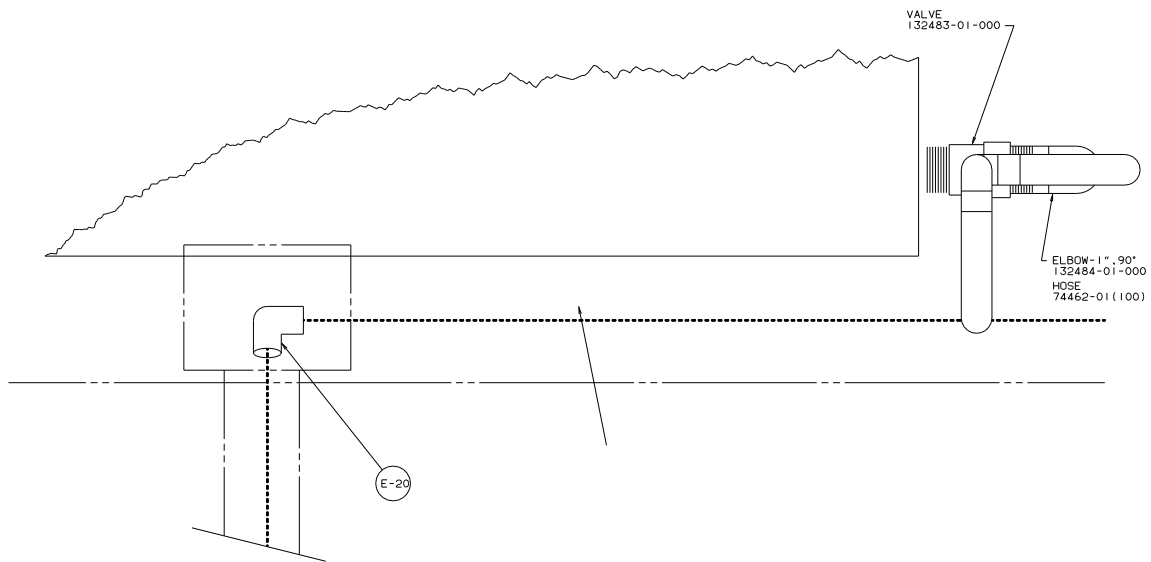
WINNERACO INDUSTRIES, INC. 00 322R

DATE	UNDESIGNED TOLERANCES ARE:	MATERIAL
DATE	HALF DIM (X.X)	
DATE	ONE PLACE (X.X)	
DATE	TWO PLACE (X.XX)	
DATE	THREE PLACE (X.XXX)	
DATE	THREE PLACE PROJECTION	

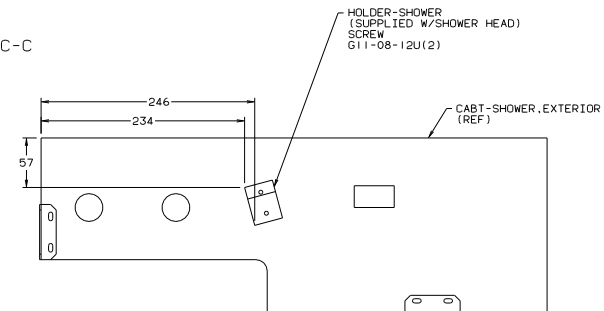
LANOFF 322R TITLE: WATER SYSTEM INSTL
 REF: 12911 J I 131957



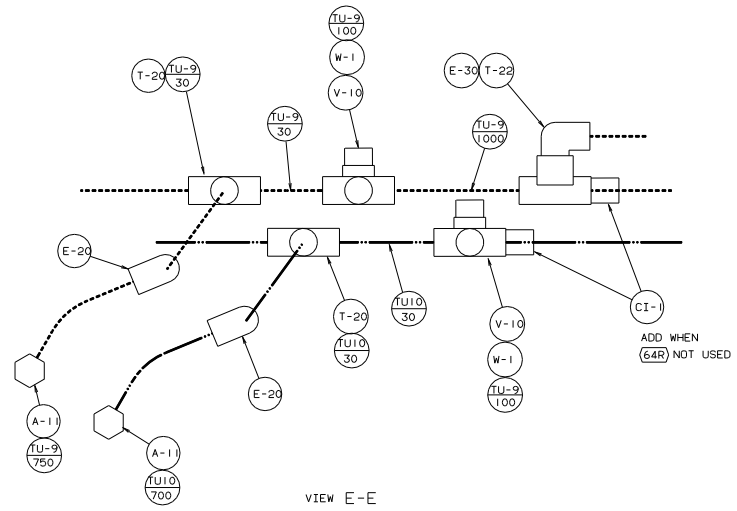
VIEW B-B



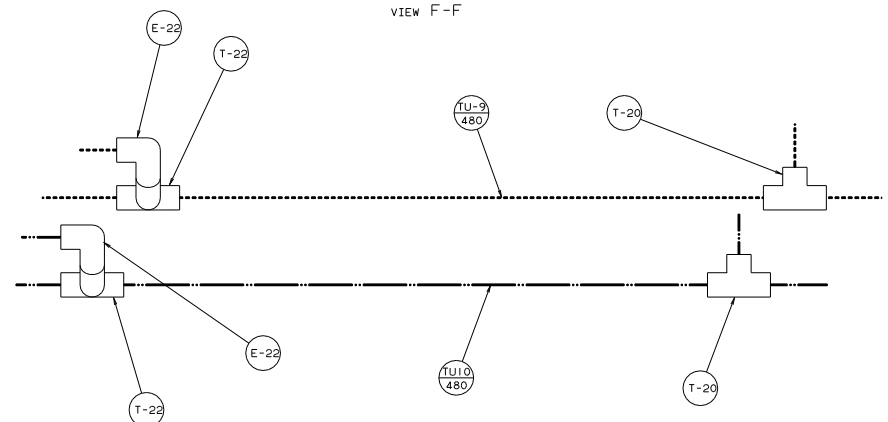
VIEW C-C



VIEW F-F



VIEW E-E



VIEW D-D