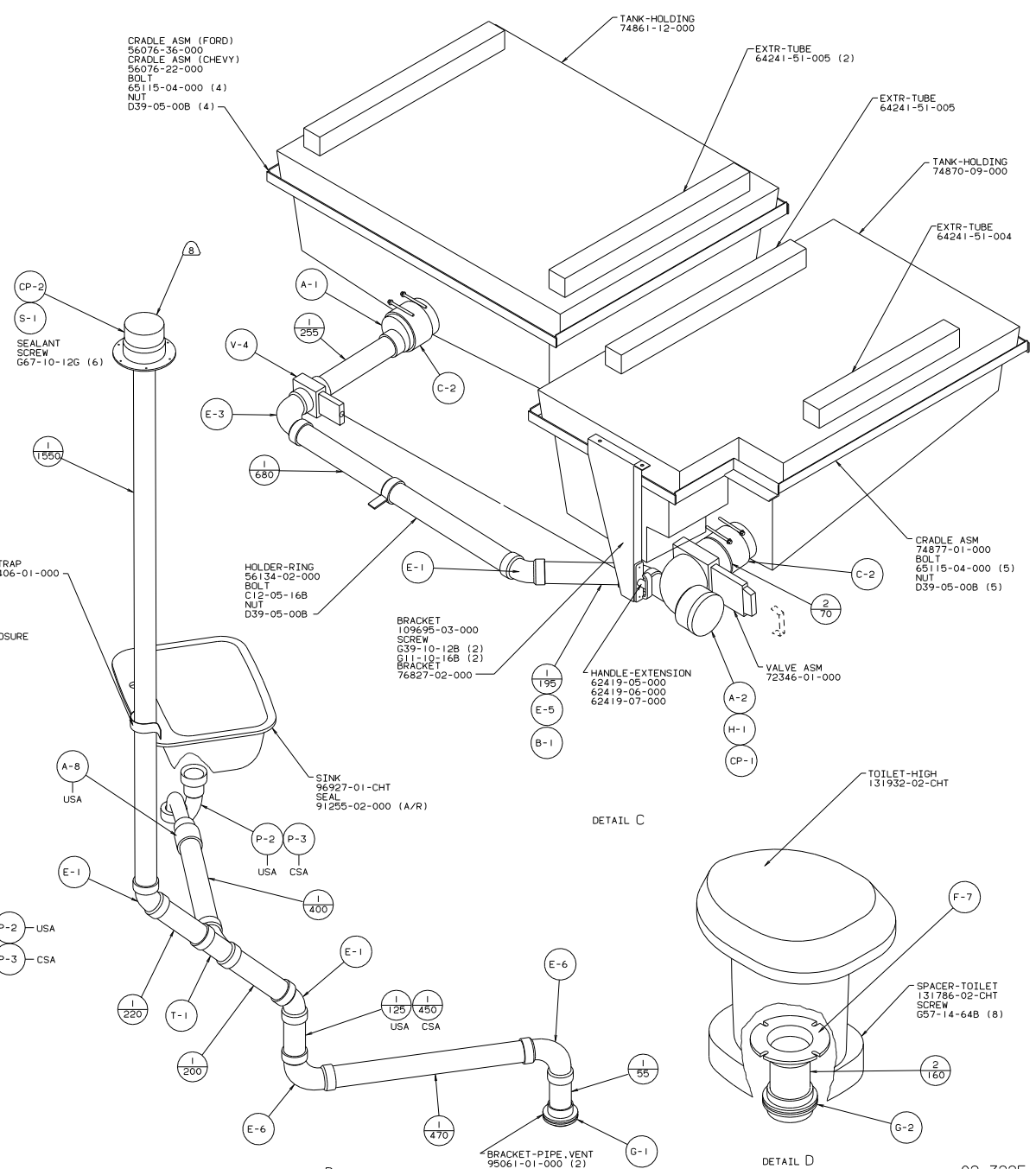


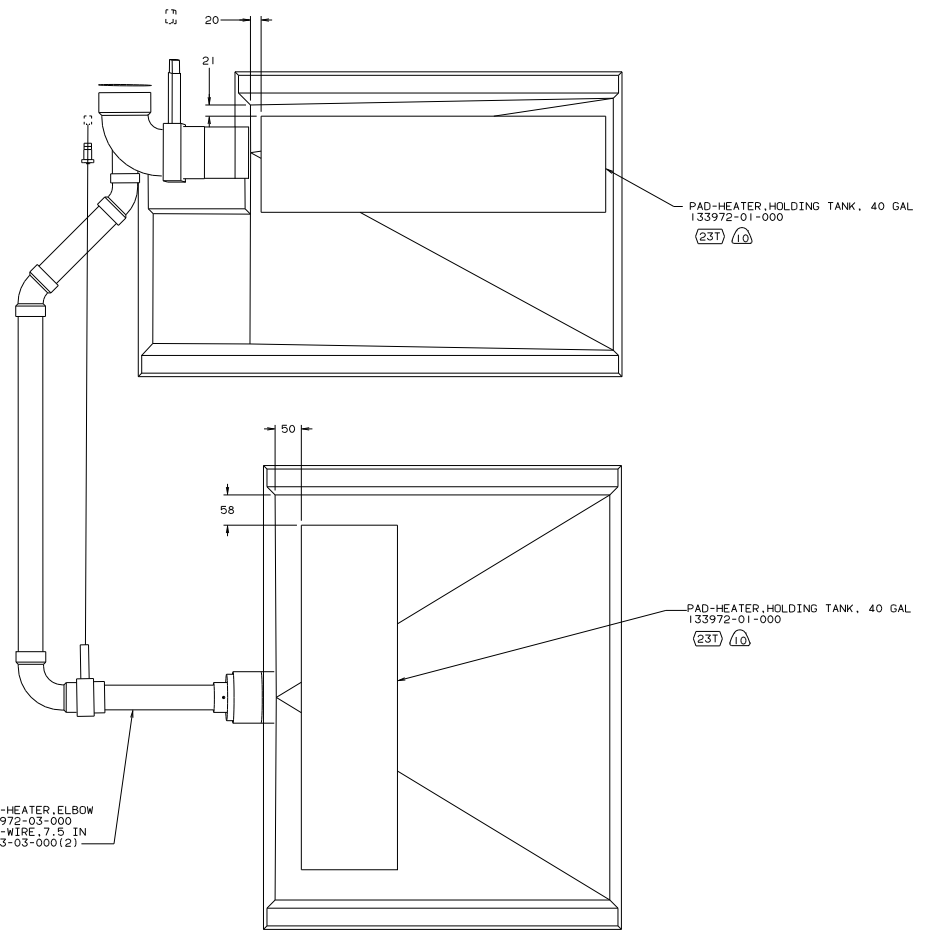
DETAIL A

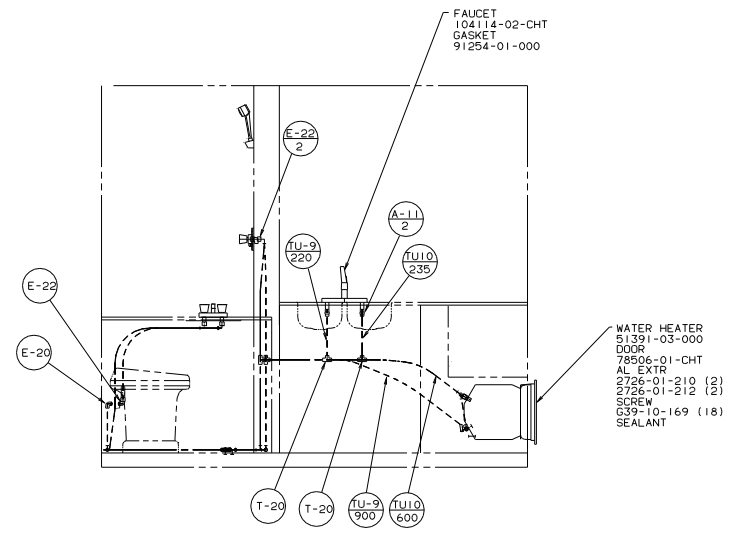
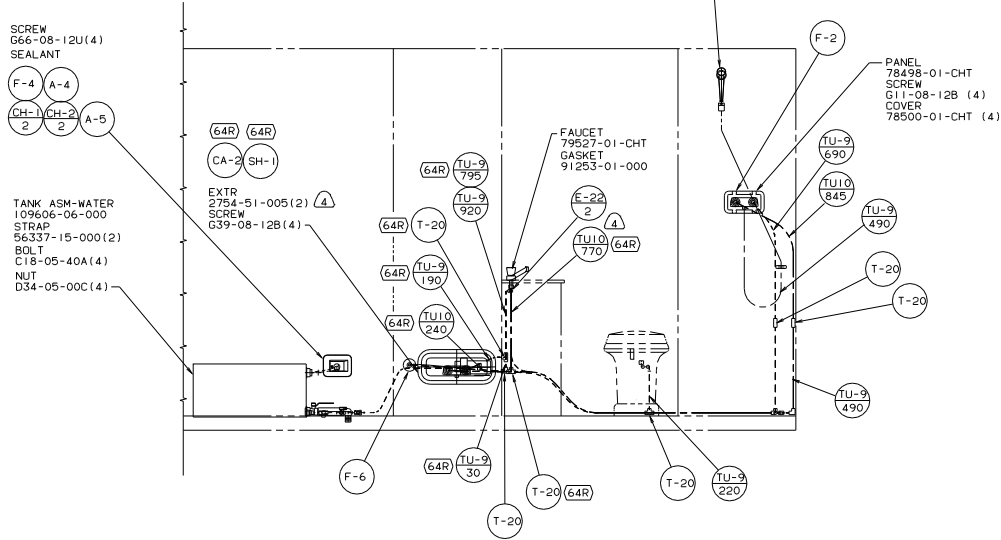
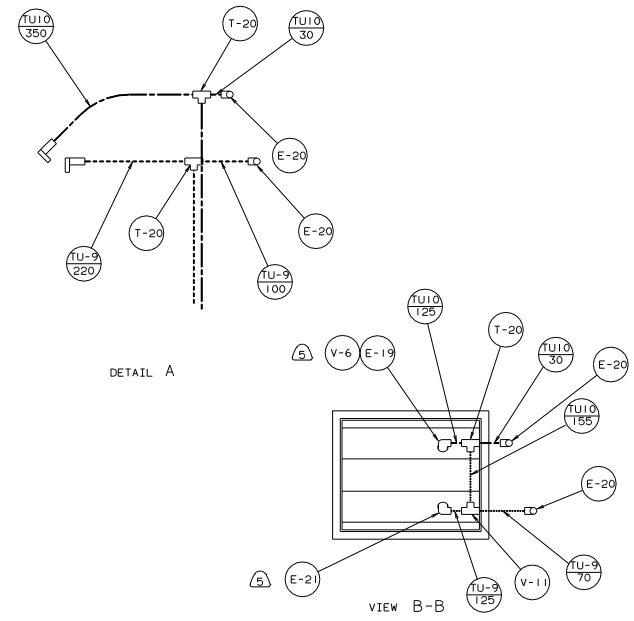
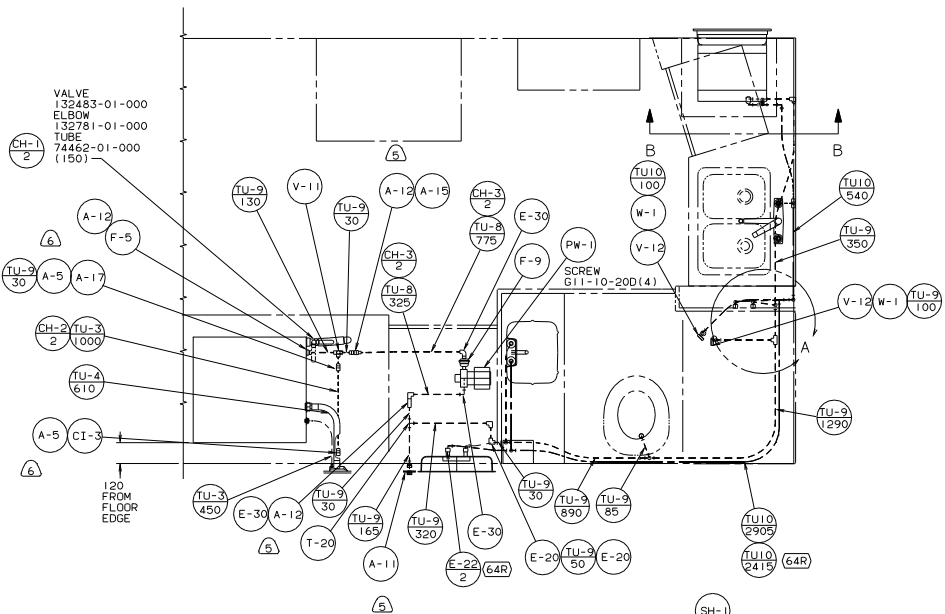


DETAIL C

DETAIL B

DETAIL D





- 6 ADD TEFLON TAPE 10405-03-000 TO FITTING.
 - 5 ADD TEFLON TAPE 10405-02-000 TO FITTING.
 - 4 CAPSEAL SEE SEALANT MANUAL.
3. ALL TUBING TO BE SECURED AT 1200 INTERVALS MAX WITH CLAMP 10495-01-000 AND SCREW G67-10-12B.
 2. TUBING TO BE INSTALLED WITH SUFFICIENT SLOPE TO PROVIDE DRAINAGE TO NEAREST VALVE.
 1. PLASTIC FITTINGS TO BE SEALED WITH SEALANT 84456-01-000.

LEGEND

HOT - - - - -
 COLD - - - - -

X-X FOR WATER CALLOUTS SEE DWG NO. 116230-01-000

00 322E

WINNERAGO INDUSTRIES, INC. WINNERAGO

| | | |
|------|-----------------------------|----------|
| DATE | UNSPECIFIED TOLERANCES ARE: | MATERIAL |
| DATE | ONE-PLACE (1X, 1) | |
| DATE | TWO-PLACE (2X, 2) | |
| DATE | THREE-PLACE (3X, 3) | |
| DATE | FOUR-PLACE (4X, 4) | |
| DATE | FIVE-PLACE (5X, 5) | |
| DATE | SIX-PLACE (6X, 6) | |
| DATE | SEVEN-PLACE (7X, 7) | |
| DATE | EIGHT-PLACE (8X, 8) | |
| DATE | NINE-PLACE (9X, 9) | |
| DATE | TEN-PLACE (10X, 10) | |
| DATE | UNLESS OTHERWISE SPECIFIED | |

LANHT 00C322E TITLE: WATER SYSTEM INSTL

R1A 0 SCALE: NONE 30 NET SCALE DRAWING SIZE 11.6

ALL DIMENSIONS ARE IN MILLIMETERS SHEET 1 OF 1

REF: 129143 G I 134100

64R EXTERIOR WASH STATION