

X-X FOR DRAINAGE CALLOUTS SEE DWG NO. 116229-01-000

222 RD US/CANADIAN

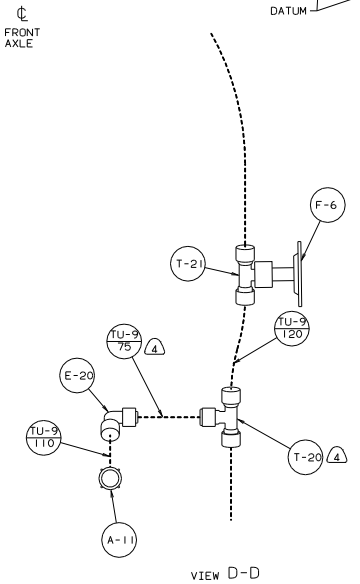
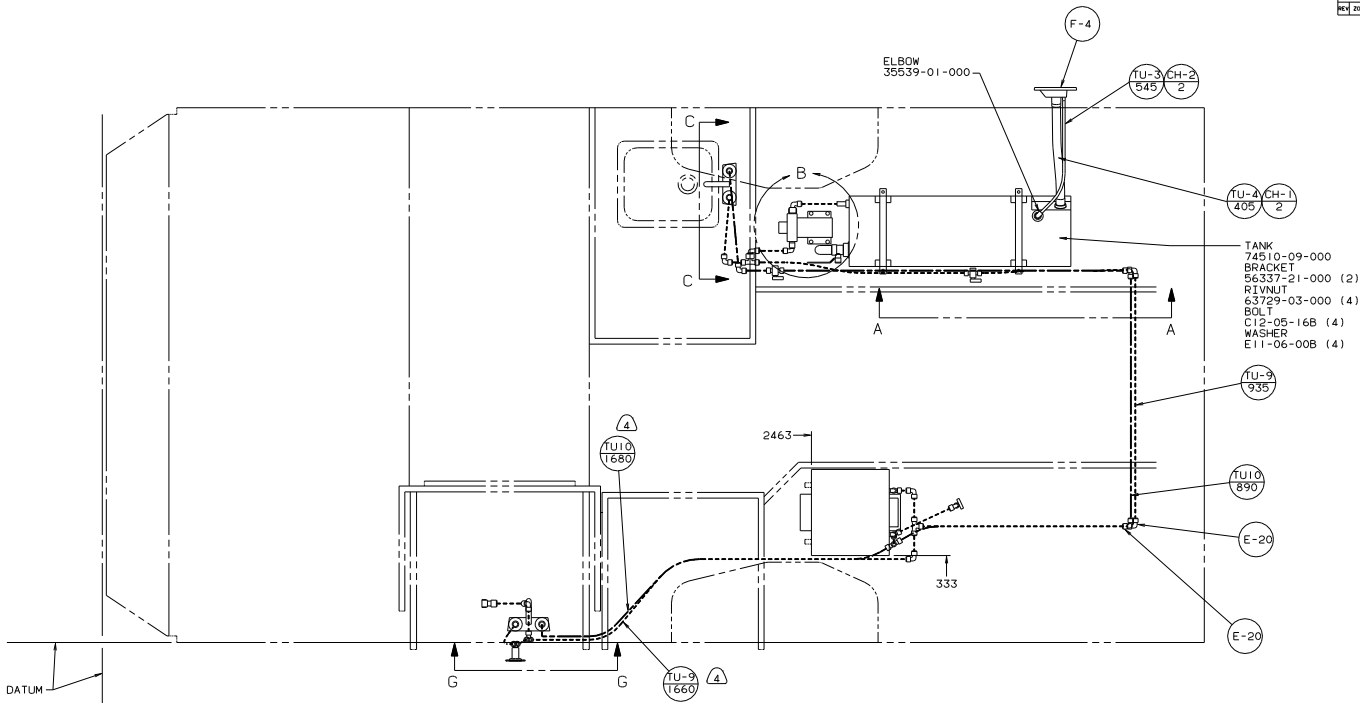
- (265) CODES/STANDARDS-CSA/CMVSS
- (B1) CODES STANDARDS/USA
- (IA7) SHOWER PACKAGE-WITHOUT
- (140) SHOWER PACKAGE

5. EXPOSED PIPE ABOVE ROOF TO BE PAINTED 37163-01-000.
4. ALL EXTERIOR OPENINGS AROUND PIPE TO BE SEALED WITH 69637-01-000.
3. ALL PIPE AND FITTINGS TO BE ASSEMBLED WITH SOLVENT 4020-01-000.
2. SLOPE OF TRAP ARM MUST BE 6 PER 305.
1. SLOPE OF HORIZONTAL PIPING TO BE 6 PER 305 MIN.
- (9) USE SCRAP CLOSED CELL NEOPRENE FROM 77075-01-.02 OR -03 ON HAT CHANNELS FOR VIBRATION DAMPENING.
- (8) VENT PIPE MUST PROJECT 51 MIN AND 63.5 MAX ABOVE ROOF FOR PROPER FIT AND FUNCTION.
- (7) SEE DWG 61607-01-000 FOR INSTALLATION OF GROMMET.
6. FOR CAN UNITS EACH HOLDING TANK SHALL HAVE A CSA APPROVAL STAMPED NEAR THE IAMPO APPROVAL.
10. SECURE PIPES TO CABINET USING WIRE TIE 108046-02-000 AND SCREW G67-10-12U (8).

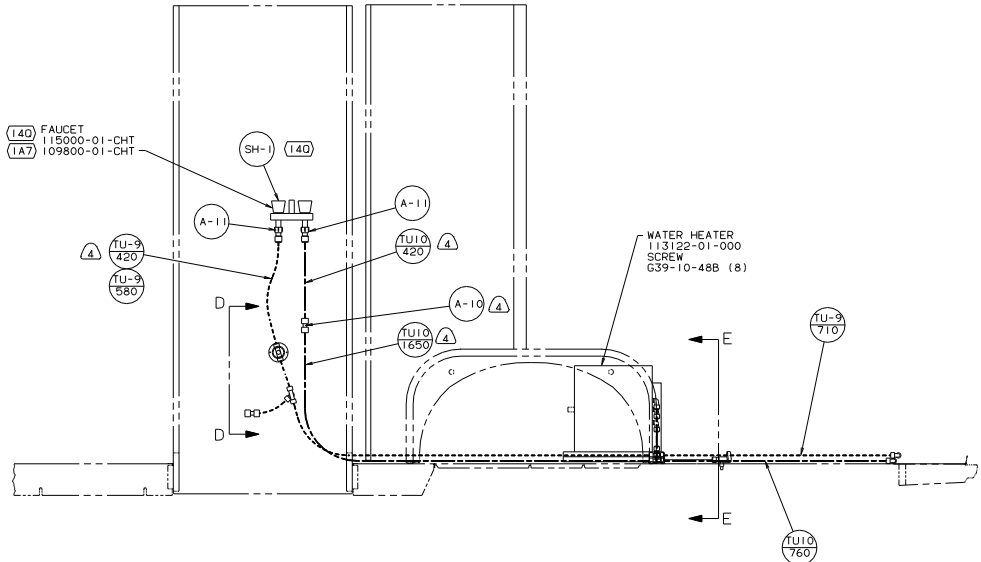
WINNERACO 99 22200

OPTR	DATE	UNSPECIFIED TOLERANCES ARE:	MATERIAL
CHDR	DATE	UNLESS OTHERWISE SPECIFIED	
P/E	DATE	ONE-PLACE (X.XX)	
D/E	DATE	TWO-PLACE (X.XXX)	
CONR	DATE	THREE-PLACE (X.XXXX)	

LAYOUT NO. 2006EN TITLE: DRAINAGE SYSTEM INSTL
 DIA & SCALE: NONE 30 NET SCALE: DRAWING: 1:1 DIM IN: 131308
 ALL DIMENSIONS ARE IN MILLIMETERS SHEET 1 OF 1



VIEW D-D



- 1. PLASTIC FITTINGS TO BE SEALED WITH SEALANT 84456-01-000.
- 2. TUBING TO BE INSTALLED WITH SUFFICIENT SLOPE TO PROVIDE DRAINAGE TO NEAREST VALVE.
- 3. ALL TUBING TO BE SECURED AT 1200 INTERVALS MAXIMUM WITH CLAMP 10495-01-000 OR CLIP 91951-01-000 AND SCREW G67-10-12B.

(A) NOT REQUIRED WITH EXTERIOR SHOWER.

NOTES:

FOR WATER CALLOUTS SEE DWG NO. 116230-01-000

LEGEND	
HOT	—————
COLD	- - - - -

- (64R) EXTERIOR WASH STATION
- (IA7) SHOWER PACKAGE-WITHOUT
- (I40) SHOWER PACKAGE

WINNERAGO INDUSTRIES, INC. 00 22200

DATE	UNSPECIFIED TOLERANCES ARE:	MATERIAL
DATE	FRAMES 1/16"	
DATE	ONE-PLACE 1/16"	
DATE	TWO-PLACE 1/32"	
DATE	THREE-PLACE 1/64"	
DATE	THREE-ANGLE PROJECTION	

LANE# 22200 TITLE: WATER SYSTEM INSTL
 DIA # SCALE: NONE 3D NET SCALE DRAWING: 1:1
 ALL DIMENSIONS ARE IN MILLIMETERS SHEET 1 OF 2 133334

