

8

7

6

5

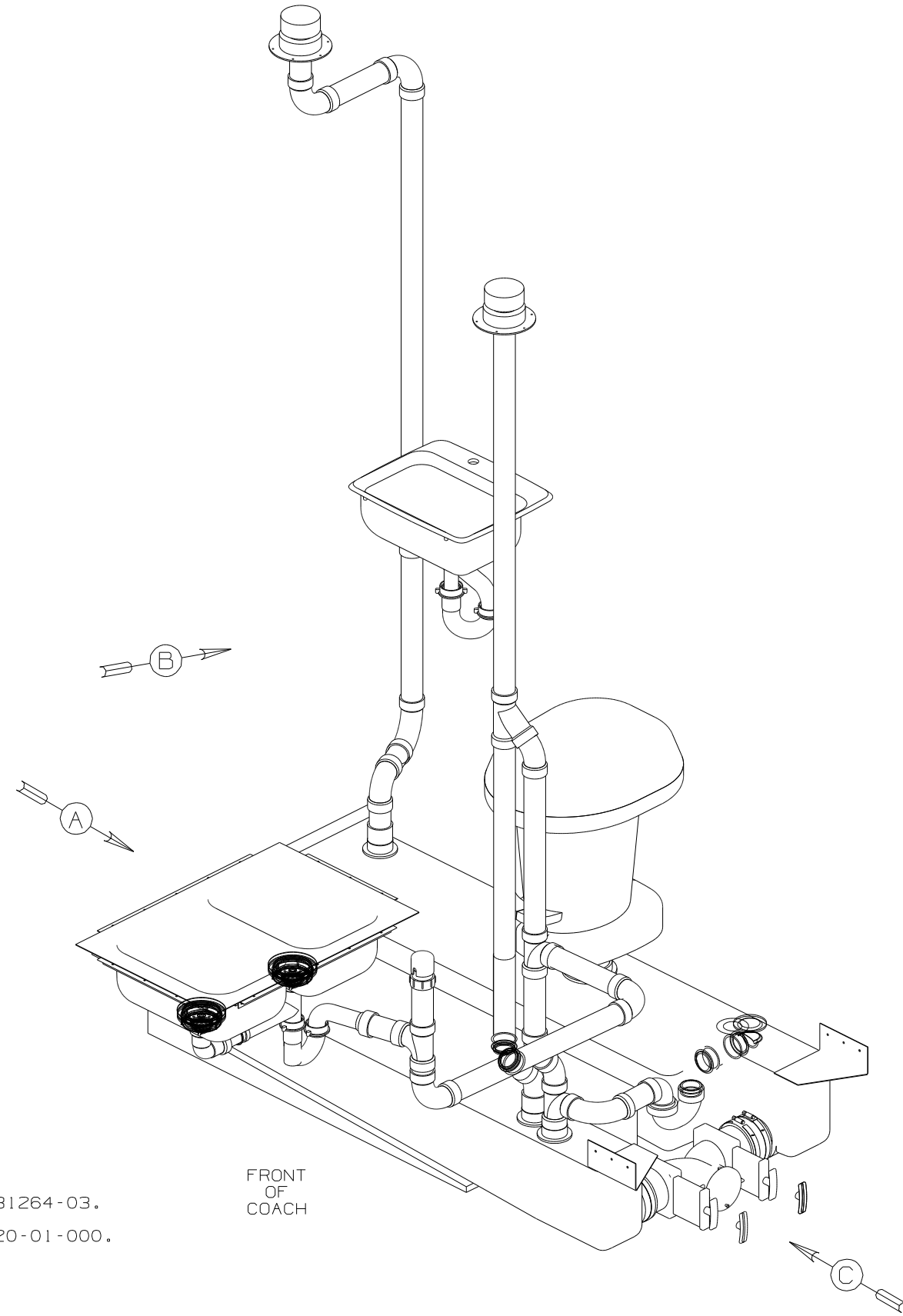
4

3

2

1

| | | | |
|----------|-----------------|--------|----------|
| RELEASE | REV DATE | DWG NO | 138950 |
| REV ZONE | REVISION RECORD | DATE | DTR-0R16 |

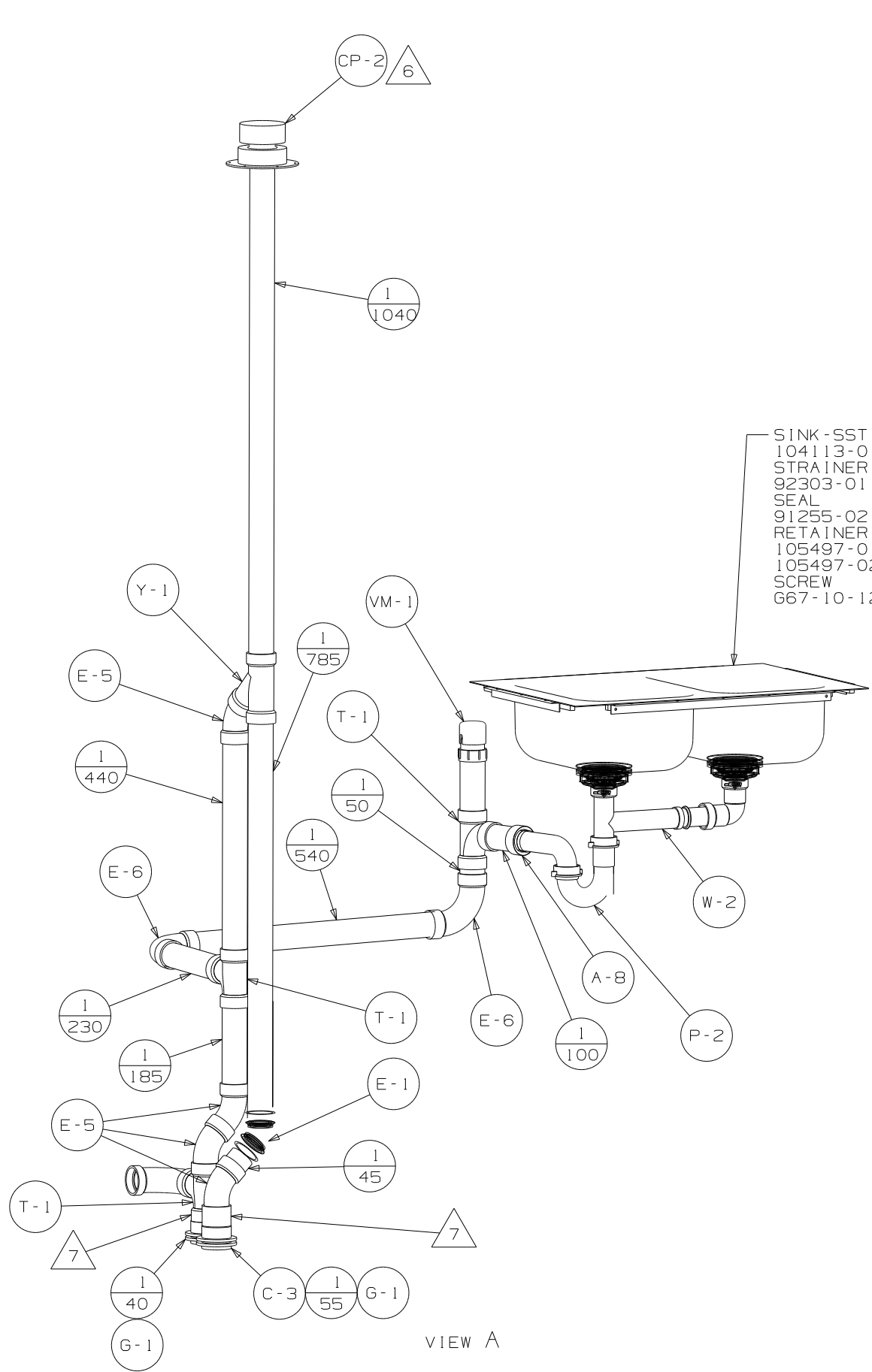


- NOTES:
- 7. SECURE VENTS TO FLOOR WITH BRACKET 136878-01-CHT, CLAMP 62401-02-000, SCREW G67-10-12B.
 - 6. VENT PIPE MUST PROECT 51 MIN AND 64 MAX ABOVE ROOF FOR PROPER FIT AND FUNCTION.
 - 5. SEAL AROUND SHOWER WITH SILICONE.
 - 4. ALL EXTERIOR OPENINGS AROUND PIPE TO BE SEALED WITH 131264-03.
 - 3. ALL PIPE AND FITTINGS TO BE ASSEMBLED WITH SOLVENT 4020-01-000.
 - 2. SLOPE OF TRAP ARM MUST BE 6 PER 305 mm.
 - 1. SLOPE OF HORIZONTAL PIPING TO BE 6 PER 305 mm.

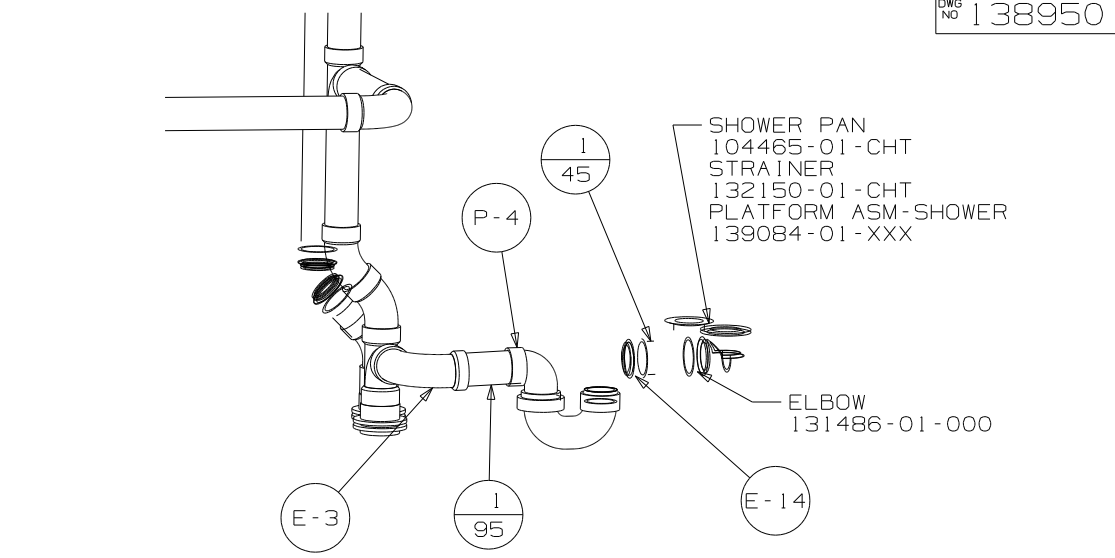
FRONT
OF
COACH

(X-X)
FOR
DRAINAGE
CALLOUTS
SEE DWG NO
116229-01-000

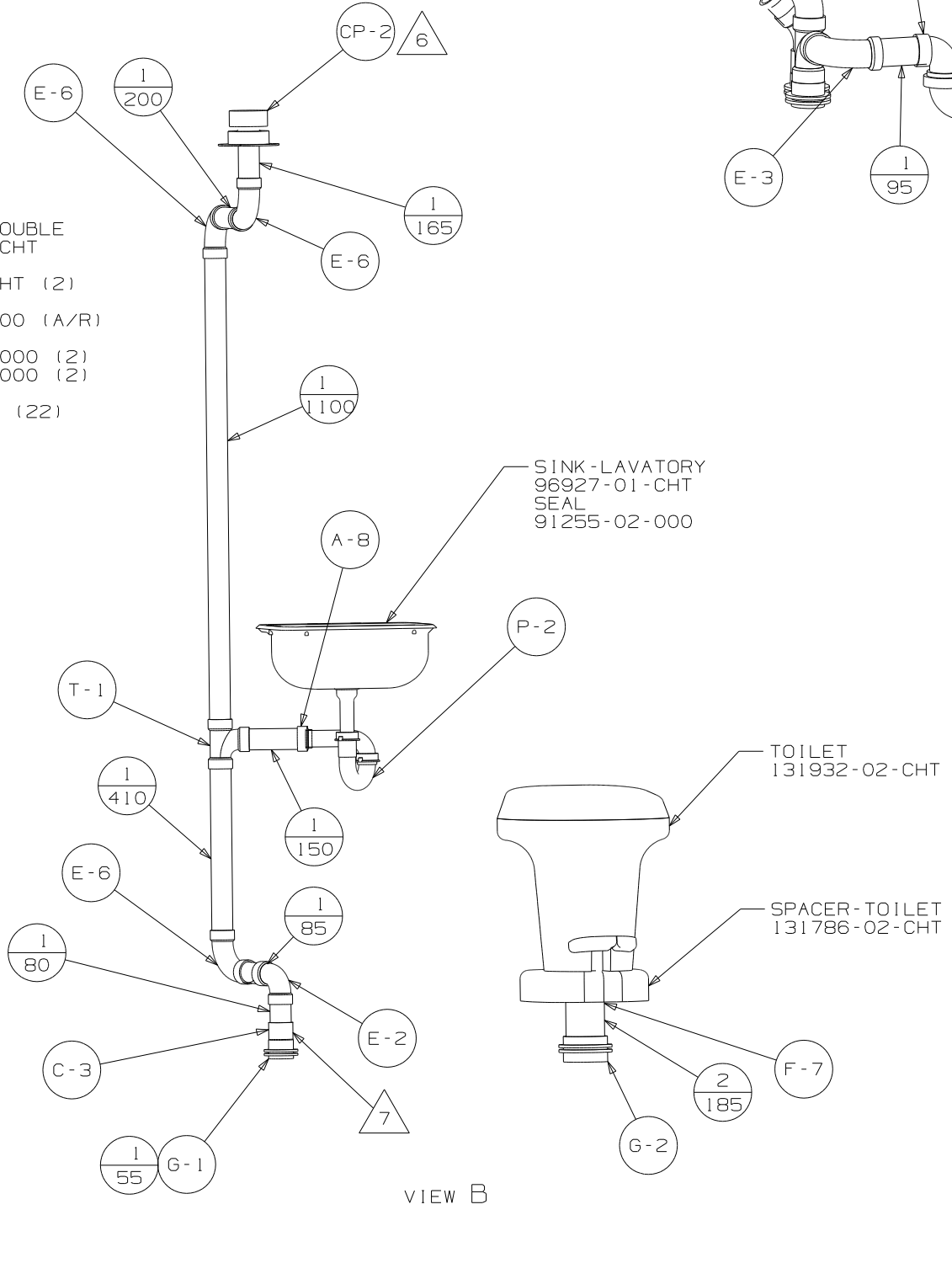
| | | | |
|---------------------------|------------|---|---|
| WINNEBAGO | | COPYRIGHT 2002 WINNEBAGO INDUSTRIES, INC. | |
| DTR | ORIG. DATE | ALL DIMENSIONS ARE IN MILLIMETERS | |
| CHKR | | FIRST USED | |
| P.E. | | 02 221B | |
| M.E. | | UNSPECIFIED TOLERANCES ARE: | |
| DSNR | | MATERIAL: | |
| | | WHOLE DIM (X) : | 7 |
| | | ONE-PLACE (X.X) : | |
| | | TWO-PLACE (X.XX) : | |
| | | ANGLE : | |
| THIRD ANGLE PROJECTION | | DO NOT SCALE DRAWING | |
| TITLE: | | DRAINAGE SYSTEM INSTL | |
| SHEET 1 OF 3 | PART NO | 138950 | |



SINK - SST, DOUBLE
 104113-01-CHT
 STRAINER
 92303-01-CHT (2)
 SEAL
 91255-02-000 (A/R)
 RETAINER
 105497-01-000 (2)
 105497-02-000 (2)
 SCREW
 667-10-12G (22)



VIEW C



VIEW B

VIEW A

| | |
|----------------------|-----------------------|
| FIRST USED | 02 221B |
| DO NOT SCALE DRAWING | |
| TITLE | DRAINAGE SYSTEM INSTL |
| SHEET 2 | PART NO 138950 |

SUPPORT-HOLDING TANK
139696-01-XXX

FOAM-SUPPORT
130223-13-000

TANK-HOLDING
139259-02-CHT

BRACKET ASM
139691-01-CHT

TANK-HOLDING
139258-02-CHT

BRACKET ASM
139691-02-CHT

N-3

C-2

2/60

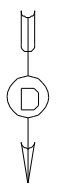
V-11

H-1

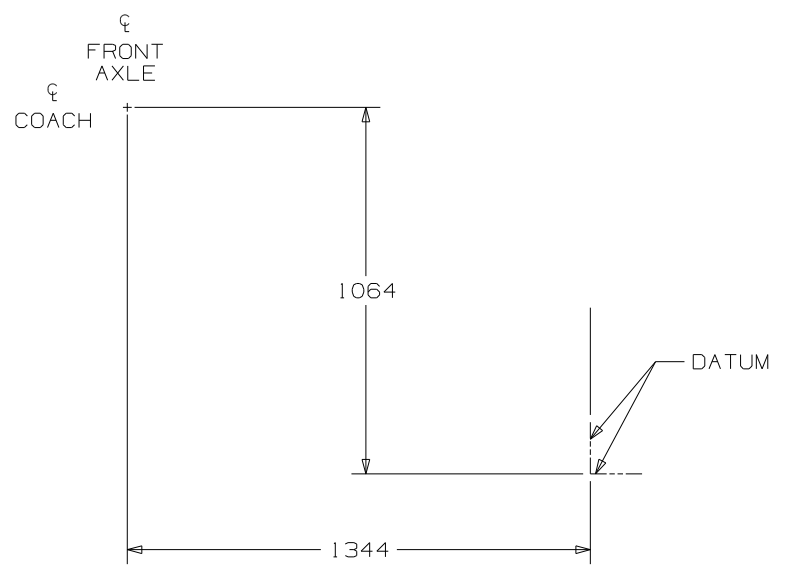
CP-1

C-2

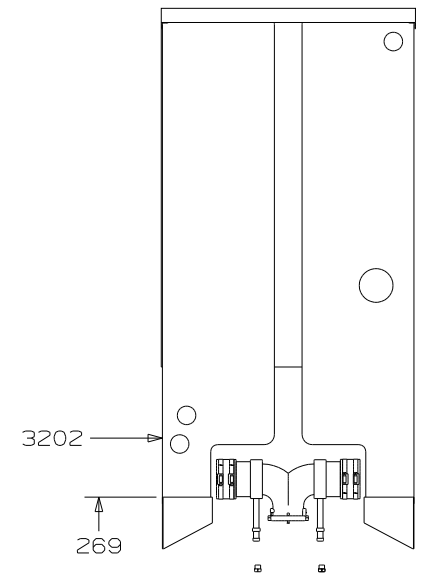
N-3



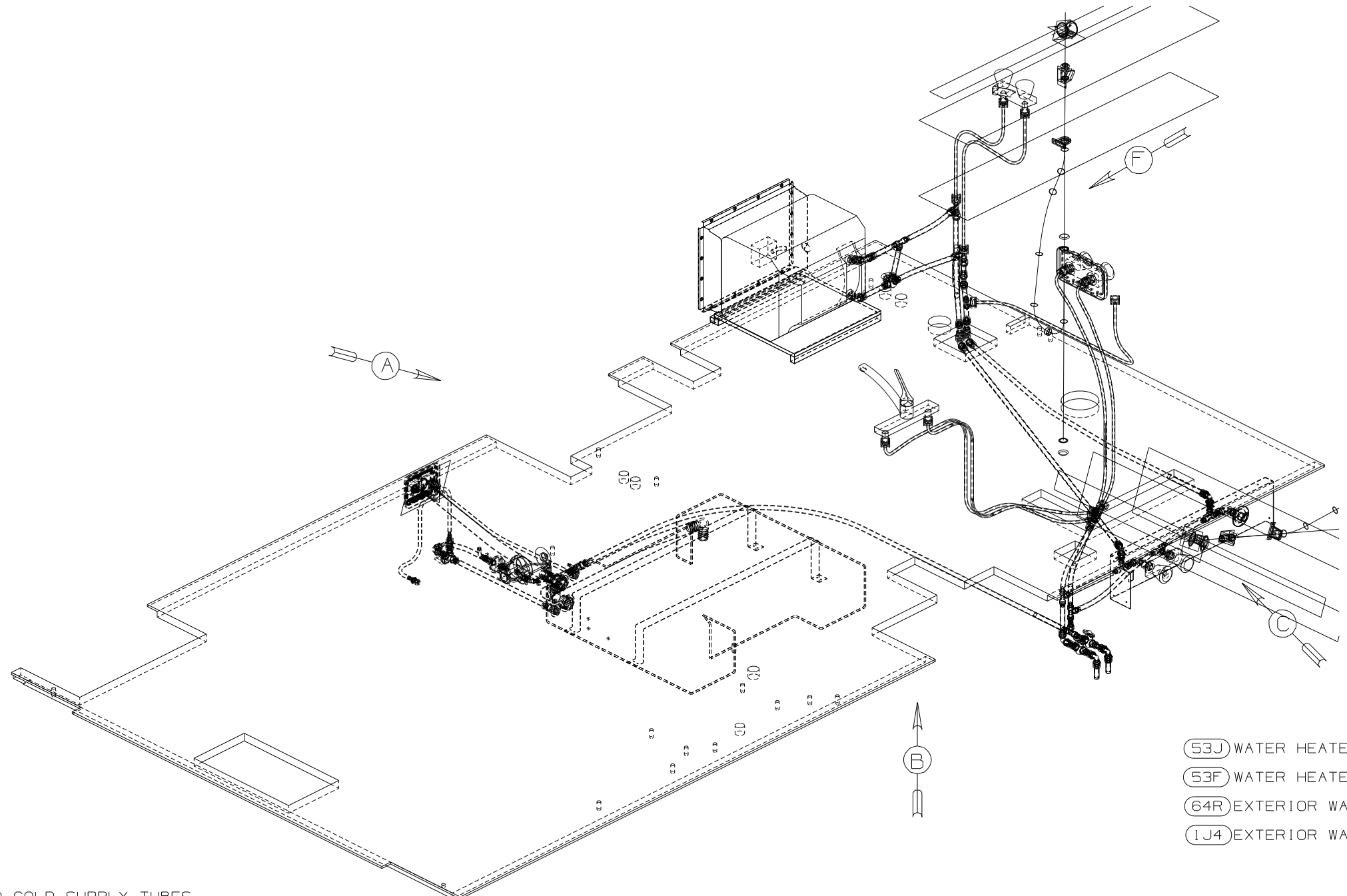
VIEW C



VIEW D



| | |
|------------|---|
| FIRST USED | 02 221B |
| TITLE | DO NOT SCALE DRAWING DRAINAGE SYSTEM INSTL |
| SHEET 3 | PART NO 138950 |



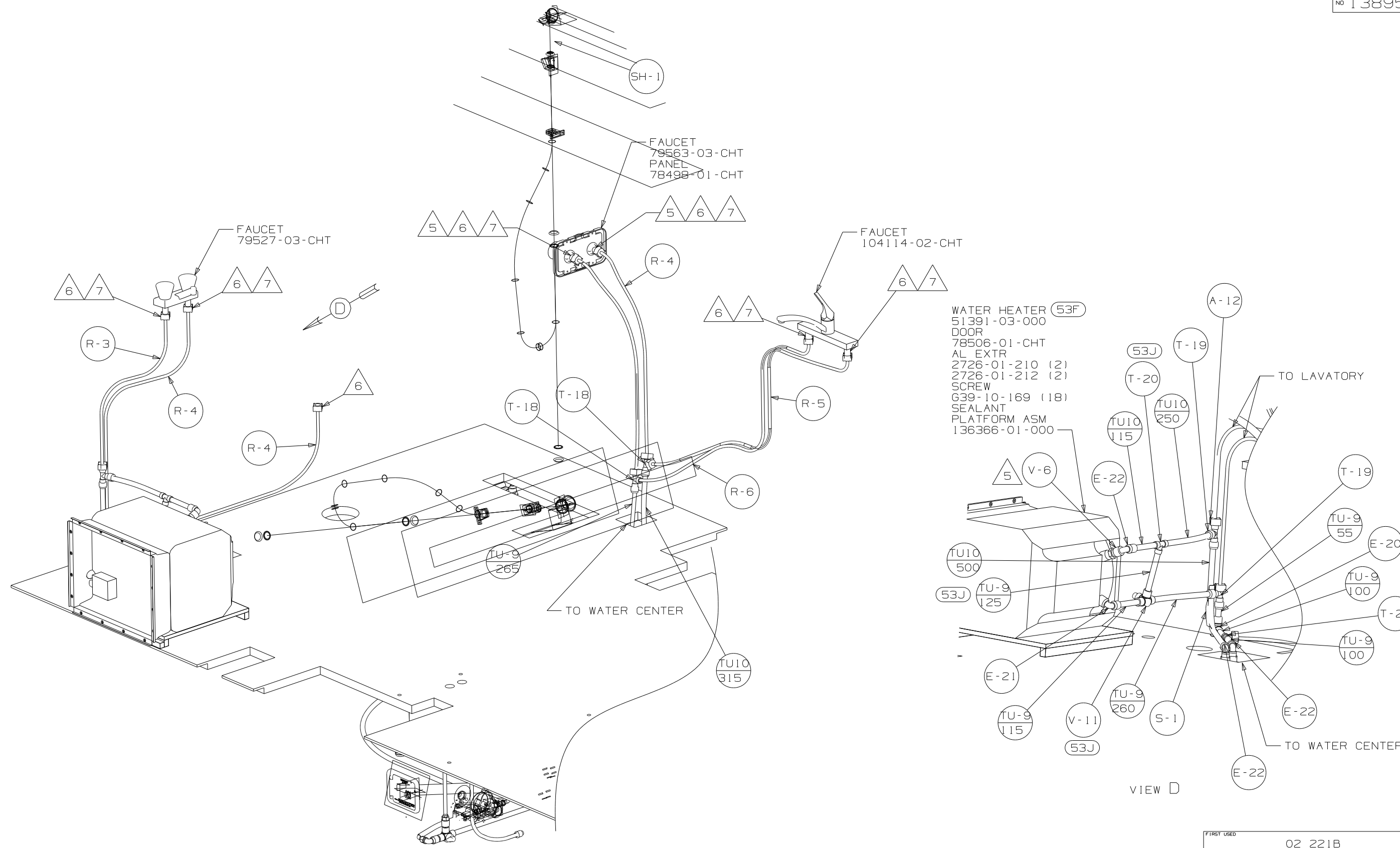
- (53J) WATER HEATER-WINTERIZATION BY-PASS VALVE
- (53F) WATER HEATER-6 GAL ELEC IGN
- (64R) EXTERIOR WASH STATION
- (1J4) EXTERIOR WASH STATION-WITHOUT

- 7 LABEL THE HOT AND COLD SUPPLY TUBES.
 - 6 TAPE FITTING TO TUBE, BEFORE CABINET SET, TO PREVENT FITTING FROM MOVING.
 - 5 ADD TEFLON TAPE 10405-01-000 TO FITTING.
 - 4 ADD TEFLON TAPE 10405-03-000 TO FITTING.
3. ALL TUBING TO BE SECURED AT 1200 INTERVALS MAXIMUM WITH CLAMP 10495-01-000 OR CLIP 9151-01-000 AND SCREW 667-10-12B.
 2. TUBING TO BE INSTALLED WITH SUFFICIENT SLOPE TO PROVIDE DRAINAGE TO NEAREST VALVE.
 1. PLASTIC FITTINGS TO BE SEALED WITH SEALANT 84456-01-000.

NOTES:

| | | | |
|-----------------------------|------------|---|--|
| WINNEBAGO | | COPYRIGHT 2002 WINNEBAGO INDUSTRIES, INC. | |
| DFTR | ORIG. DATE | ALL DIMENSIONS ARE IN MILLIMETERS | |
| CHKR | | | |
| P.E. | | | |
| M.E. | FIRST USED | | |
| DSNR | 02 221B | | |
| UNSPECIFIED TOLERANCES ARE: | | MATERIAL: | |
| WHOLE DIM (X) | : 7 | | |
| ONE-PLACE (X.X) | : | | |
| TWO-PLACE (X.XX) | : | | |
| ANGLE | : | | |
| THIRD ANGLE PROJECTION | | DO NOT SCALE DRAWING | |
| TITLE: WATER SYSTEM INSTL | | | |
| SHEET 1 OF 4 | | PART NO 138953 | |
| REF: 1 | | | |

(X-X)
FOR
WATER
CALLOUTS
SEE DWG NO
116230-01-000

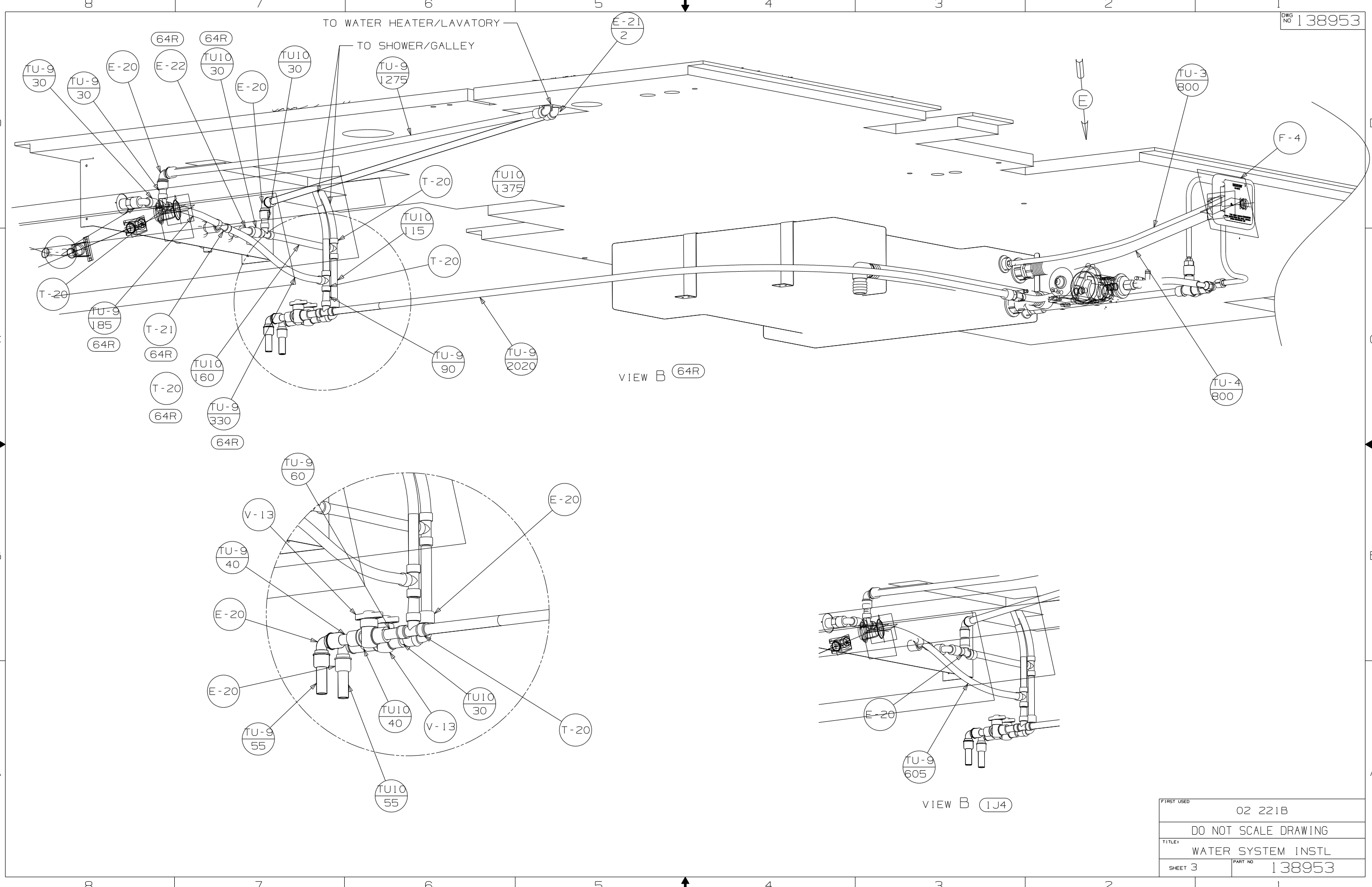


- WATER HEATER 53F
- 51391-03-000
- DOOR
- 78506-01-CHT
- AL EXTR
- 2726-01-210 (2)
- 2726-01-212 (2)
- SCREW
- 639-10-169 (18)
- SEALANT
- PLATFORM ASM
- 136366-01-000

VIEW A

VIEW D

| | |
|----------------------|--------------------|
| FIRST USED | 02 221B |
| DO NOT SCALE DRAWING | |
| TITLE: | WATER SYSTEM INSTL |
| SHEET 2 | PART NO 138953 |



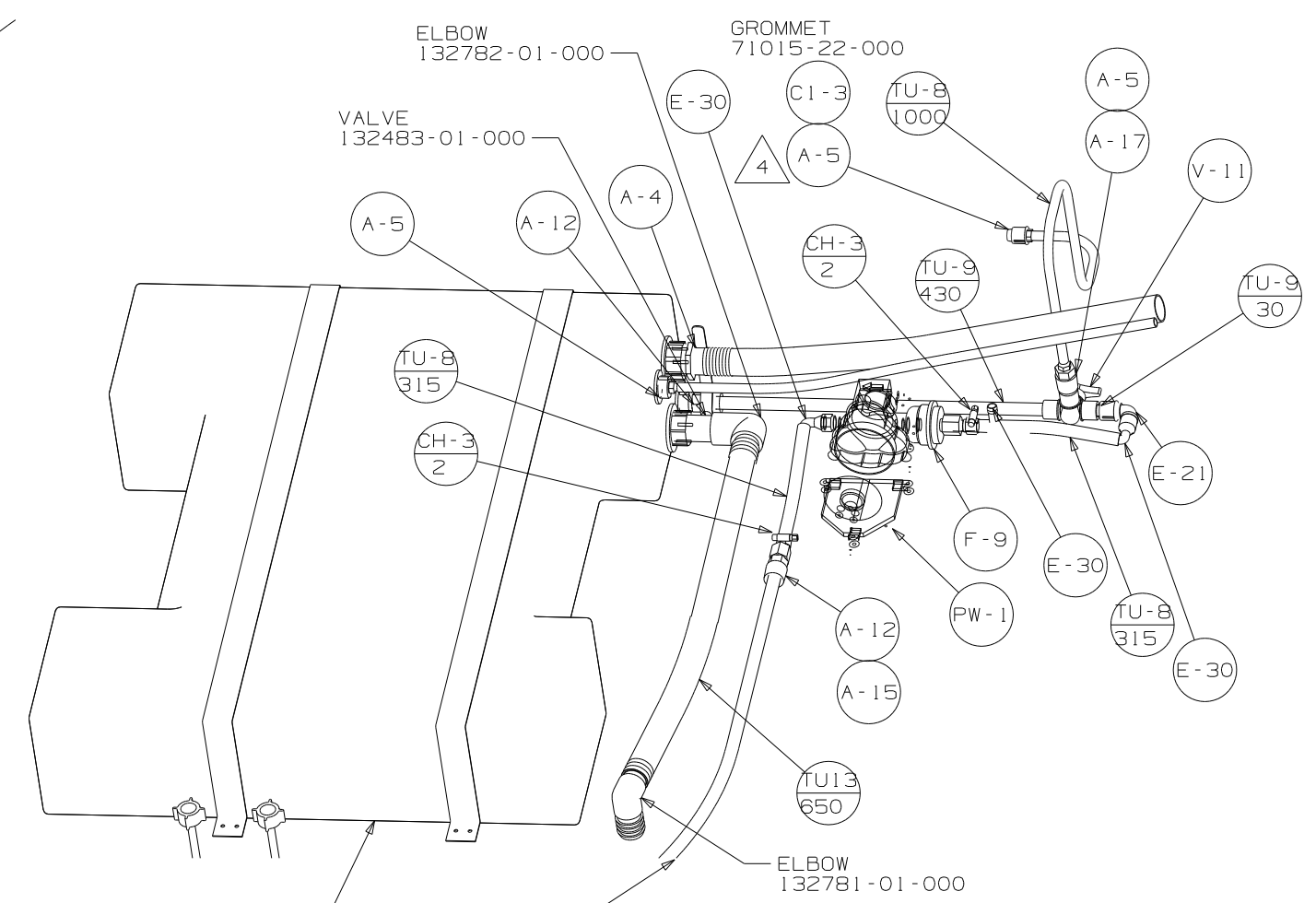
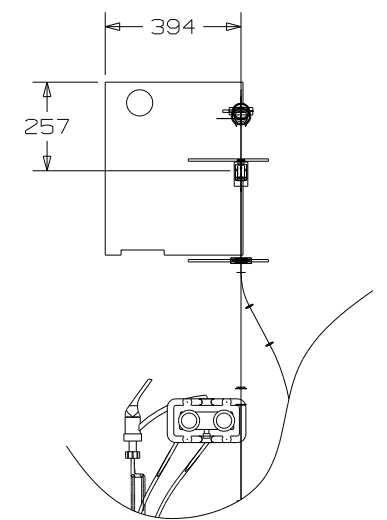
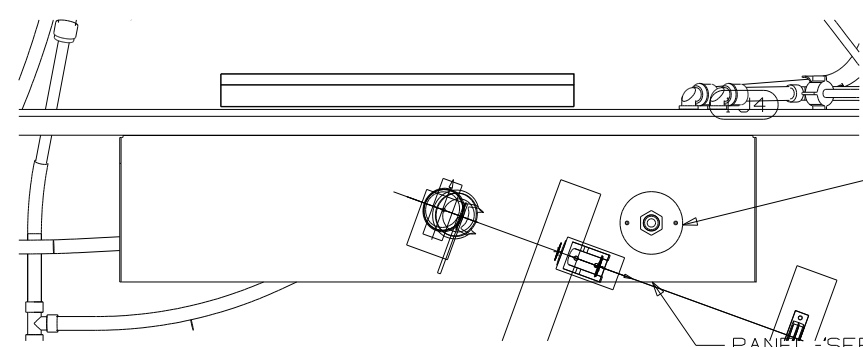
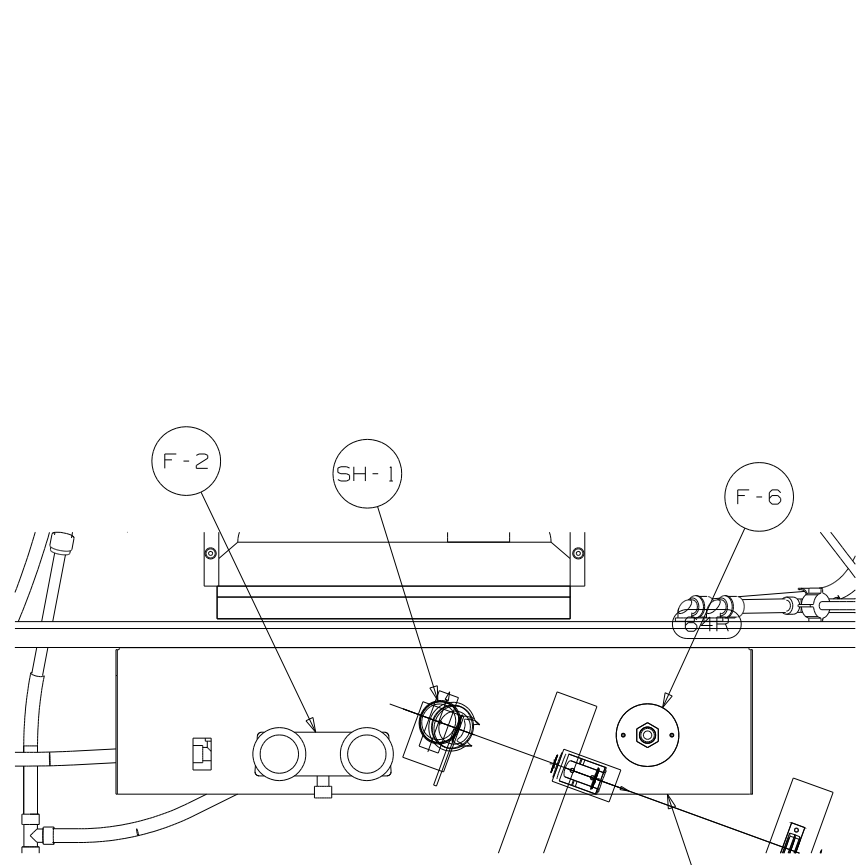
TO WATER HEATER/LAVATORY

TO SHOWER/GALLEY

VIEW B (64R)

VIEW B (1J4)

| | |
|------------|----------------------|
| FIRST USED | 02 221B |
| TITLE | DO NOT SCALE DRAWING |
| SHEET 3 | PART NO 138953 |



TANK - WATER, 20 GAL
128785-04-000
STRAP - TANK
139774-01-CHT (2)

TO WATER CENTER

| | |
|------------|----------------------|
| FIRST USED | 02 221B |
| TITLE | DO NOT SCALE DRAWING |
| | WATER SYSTEM INSTL |
| SHEET 4 | PART NO 138953 |