



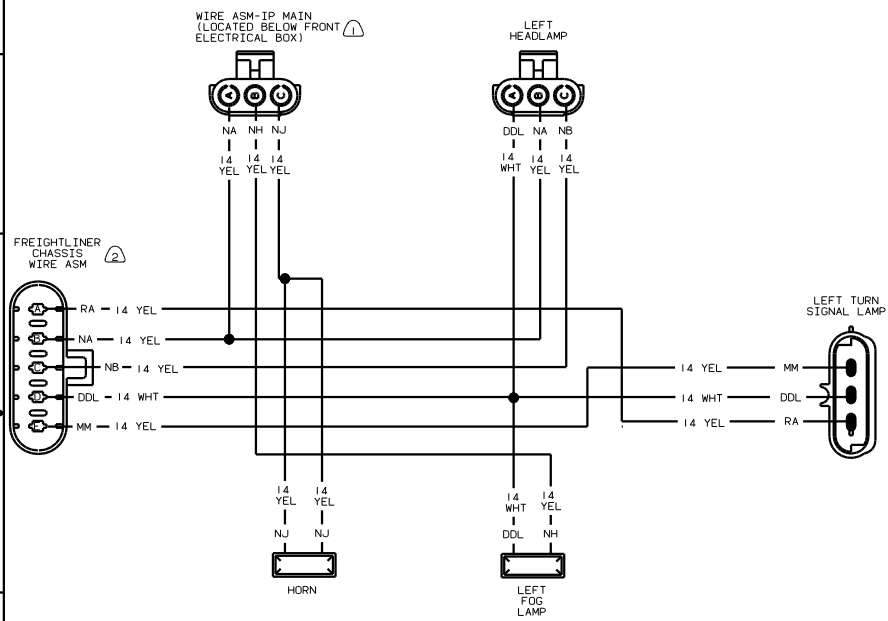
**DANGER**

**Danger of electrical shock, burns or death.** Always remove all power sources before attempting any repair, service or diagnostic work. Power can be present from shore power, generator, inverter or battery. All power sources must be disabled and secured before performing any service.

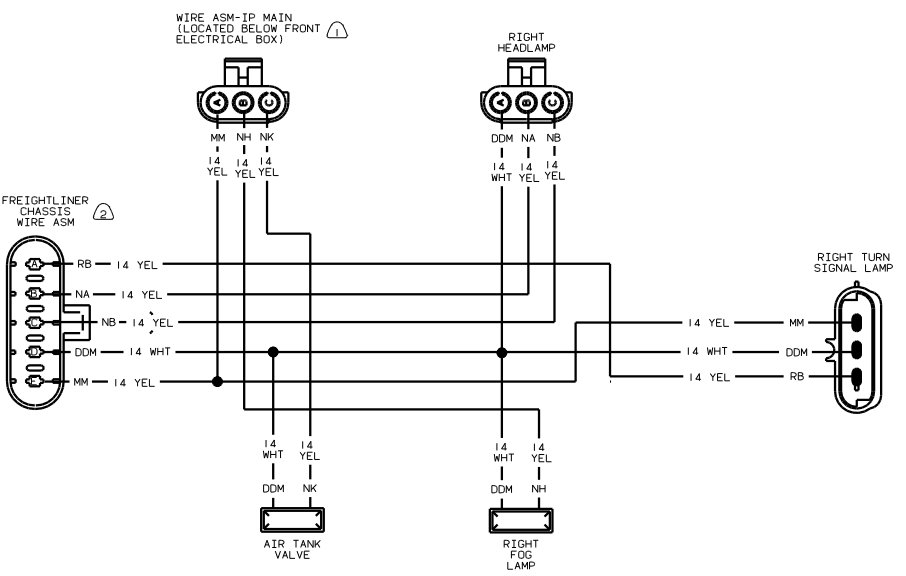


**CAUTION**

If you lack the skills, tools or equipment to perform diagnostic or repair work leave such work to an authorized Winnebago Industries dealer or other qualified shop.



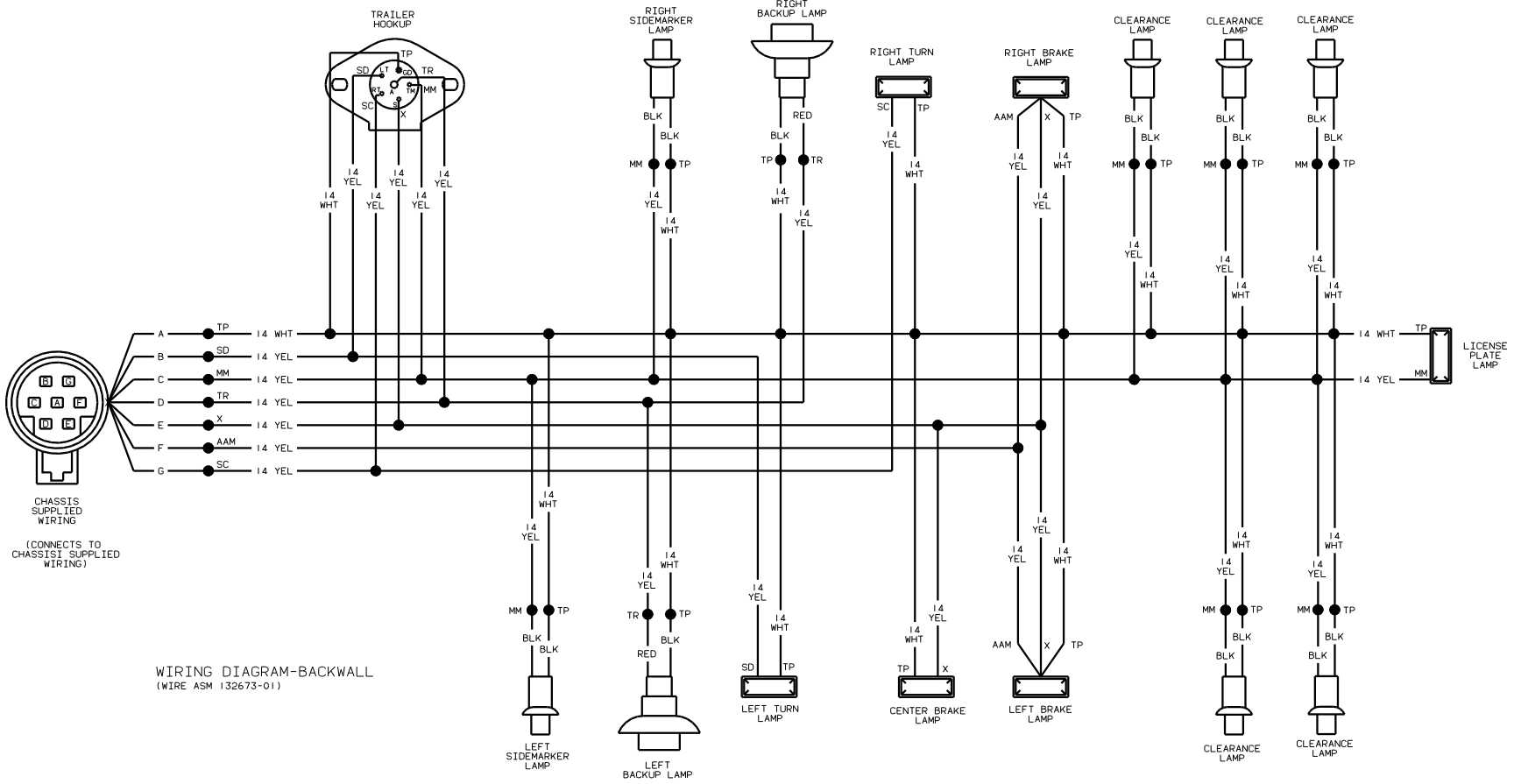
WIRING DIAGRAM-HEADLAMP, LEFT  
 (WIRE-ASM 132789-01)



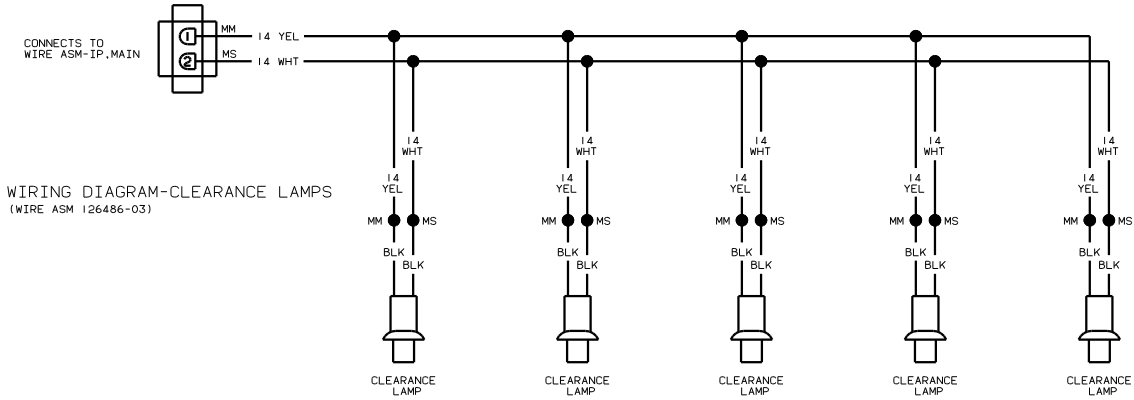
WIRING DIAGRAM-HEADLAMP, RIGHT  
 (WIRE-ASM 132789-02)

SEE WIRING DIAGRAM-AUTO FOR ADDITIONAL INFORMATION.

OF IT		DATE	UNDESIGNED TOLERANCES ARE:	INVERTED
CHP	DATE	WHOLE DIM (1)	ONE-PLACE (1/16)	ANGLE
DVE	DATE	HOLE-PLACE (1/16)	ANGLE	
DVE	DATE	ANGLE		
CDMP	DATE	INDIC. W/ANGLE PROJECTION		
LAUNCH NO.	DATE			
TITLE		WIRING DIAGRAM-AUTO LAMPS		
DIA #	SCALE	NOTE	DO NOT SCALE DRAWING	FIG NO
ALL DIMENSIONS ARE IN MILLIMETERS		SHEET	1 OF 2	FIG NO
				136939



WIRING DIAGRAM-BACKWALL (WIRE ASM 132673-01)



WIRING DIAGRAM-CLEARANCE LAMPS (WIRE ASM 126486-03)