



DANGER

Danger of electrical shock, burns or death. Always remove all power sources before attempting any repair, service or diagnostic work. Power can be present from shore power, generator, inverter or battery. All power sources must be disabled and secured before performing any service.

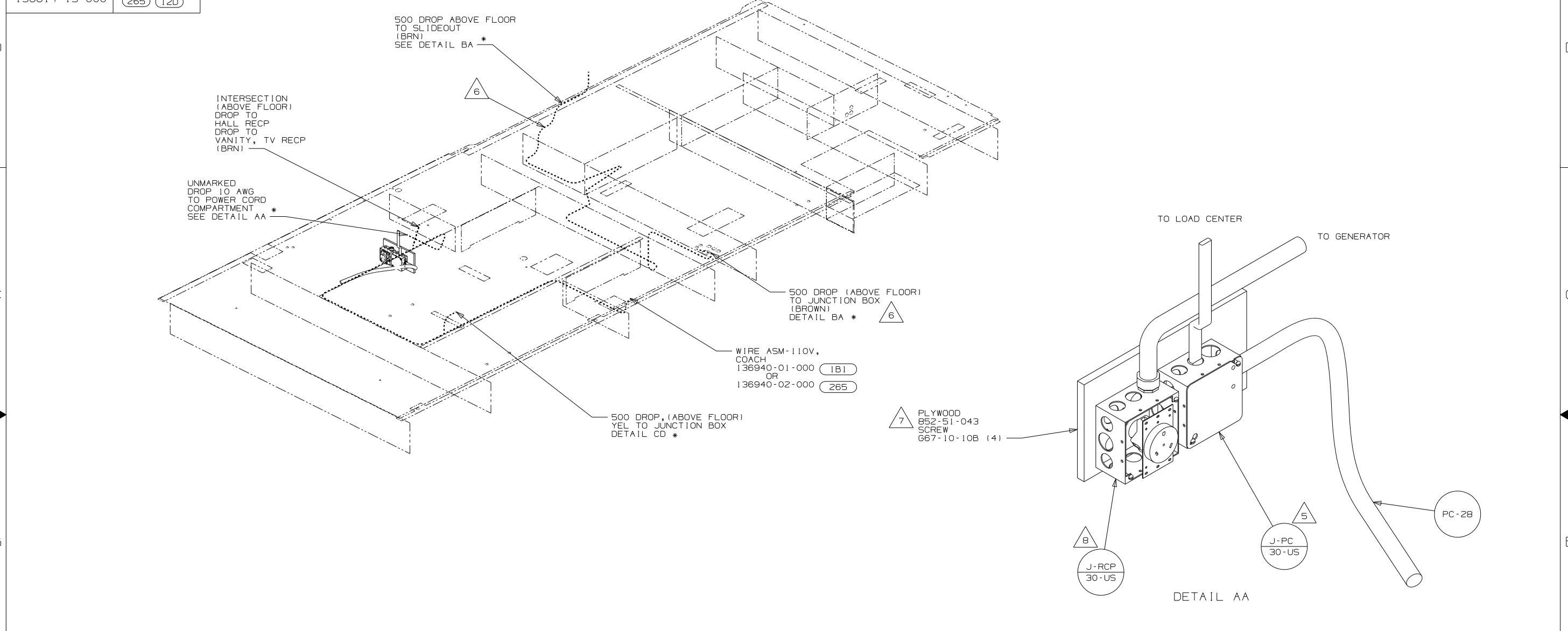


CAUTION

If you lack the skills, tools or equipment to perform diagnostic or repair work leave such work to an authorized Winnebago Industries dealer or other qualified shop.

| | |
|---------------|-------------|
| DWG NO. | FEATURE |
| 136614-01-000 | |
| 136614-11-000 | (1B1) (12D) |
| 136614-15-000 | (265) (12D) |

| | | | |
|----------|-----------------|--------|---------|
| REV | DATE | DWG NO | 136614 |
| REV ZONE | REVISION RECORD | DATE | DFT-010 |



- 8. INSTALL RECEPTACLE WITH GROUND OPENING TO THE OUTBOARD SIDE OF THE VEHICLE.
 - 7. PAINT EXPOSED SURFACES BLACK W/106112-01-000.
 - 6. FLEX CORD IS PART OF WIRE ASM CHASSIS.
 - 5. SEE GENERATOR INSTL FOR ADDITIONAL INFORMATION.
4. SECURE WIRE ASSEMBLY TO FLOOR SUPPORTS OR WIRE TRAYS WITH WIRE TIE 8343-02-000 EVERY 500MM.
 3. ALL GROUND WIRES TO BE COVERED WITH TUBING 8041-02-000.
 2. ALL WIRES SECURED WITHIN 200MM OF OUTLET BOXES.
 1. ALL WIRES SECURED W/CLAMP 10495-01-000 OR CLIP 80734-01-000 EVERY 600MM. USE SCREW 667-10-12B UNLESS OTHERWISE SPECIFIED.

- (40N) GEN 4.0KW ONAN GAS MICROLITE
- (12D) ELECTRICAL SYSTEM 30 AMP
- (265) CODES/STANDARDS-CSAA/CMVSS
- (1B1) CODES/STANDARDS USA

BELOW FLOOR

WINNEBAGO COPYRIGHT 2005 WINNEBAGO INDUSTRIES, INC.

| | |
|------|-----------------------------------|
| DFT | ORIG. DATE |
| CHKR | ALL DIMENSIONS ARE IN MILLIMETERS |
| P.E. | FIRST USED |
| M.E. | 01 427P |
| DSNR | |

UNSPECIFIED TOLERANCES ARE:

| | |
|------------------|--------|
| HOLE DIM (X) | : 1 |
| ONE-PLACE (X.X) | : 1.5 |
| TWO-PLACE (X.XX) | : 0.50 |
| ANGLE | : 1° |

MATERIAL:

THIRD ANGLE PROJECTION

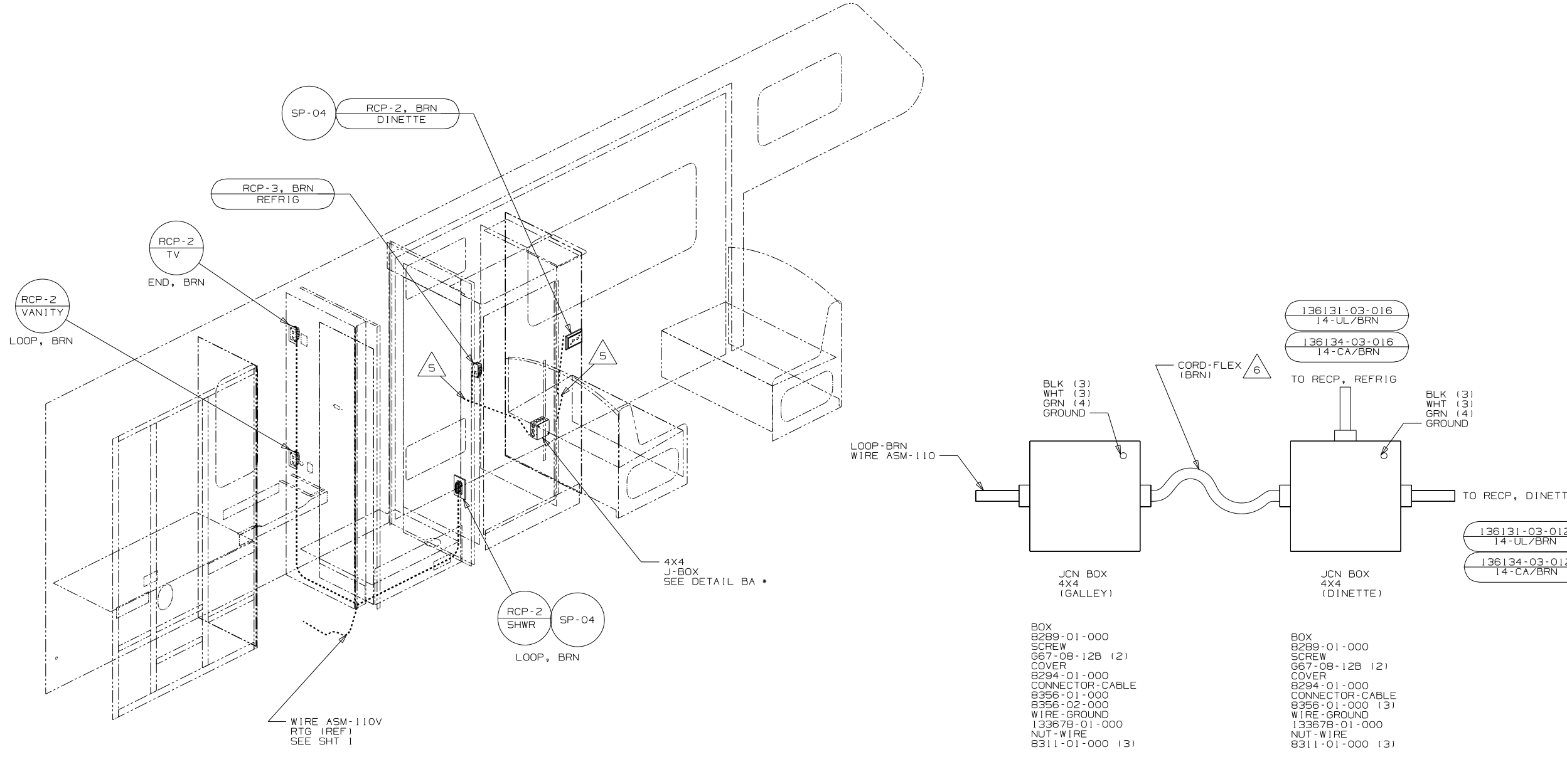
DO NOT SCALE DRAWING

TITLE: WIRING INSTL-BODY,110V

SHEET 1 OF 5 PART NO 136614

REF: 1 4/12/2005

NOTES:



6. CORD IS ON INTERGRAL PART OF WIRE ASM-CHASSIS.

5. ROUTE WIRES THRU SIDEWALL

- 4. SEE SHEET 1 FOR BELOW FLOOR ROUTINGS
- 3. ALL GROUND WIRES TO BE COVERED WITH TUBING 8041-02-000.
- 2. ALL WIRES TO BE SECURED WITHIN 200MM OF OUTLET BOXES.
- 1. ALL WIRES TO BE CLAMPED WITH CLAMP 10495-01-000 OR CLIP 80734-02-000 EVERY 700. USE SCREW G67-10-12B UNLESS OTHERWISE SPECIFIED.

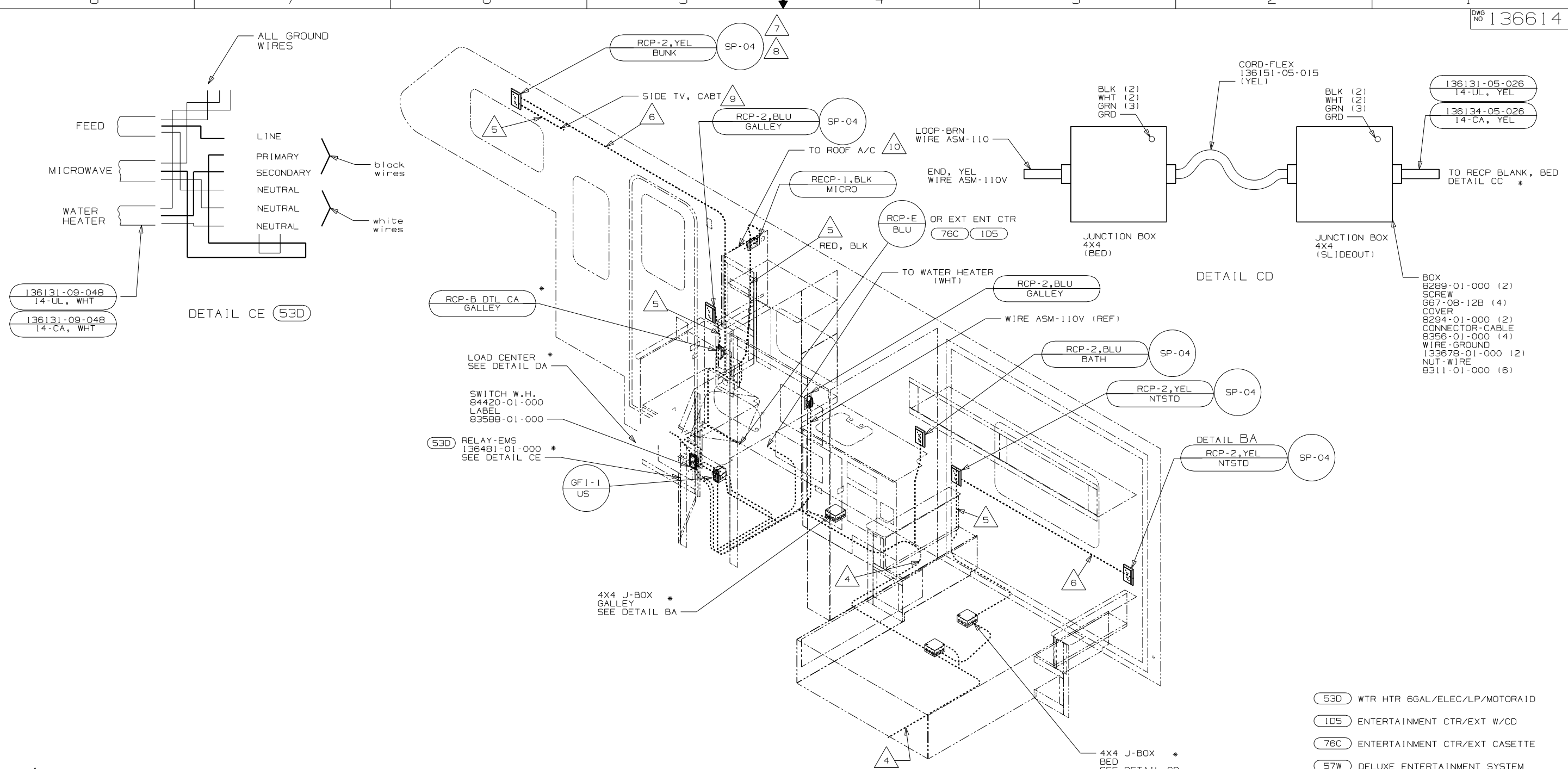
NOTES:

FOR ELECTRICAL TORQUE SPECIFICATIONS SEE DWG NO. 128783-01-000

(X-X) FOR ELECTRICAL CALLOUTS SEE DWG NO. 121339-01-000

- (12D) ELEECTRICAL SYSTEM -30 AMP
- (265) CODES/STANDARDS-CSA/CMVSS
- (1B1) CODES/STANDARDS-US

| | | | | |
|--------------------------------|---|---------|--------|-------|
| LEFT SIDE | | (1B1) | (265) | (12D) |
| FIRST USED 01 427P | | | | |
| DO NOT SCALE DRAWING | | | | |
| TITLE: WIRING INSTL-BODY, 110V | | | | |
| SHEET 2 | 5 | PART NO | 136614 | |



136131-09-048
14-UL, WHT
136131-09-048
14-CA, WHT

DETAIL CE (53D)

RCP-B DTL CA
GALLEY

LOAD CENTER
SEE DETAIL DA
SWITCH W.H.
84420-01-000
LABEL
83588-01-000
(53D) RELAY-EMS
136481-01-000
SEE DETAIL CE

GFI-1
US

4X4 J-BOX
GALLEY
SEE DETAIL BA

RCP-2, BLU
GALLEY

RCP-2, BLU
BATH

RCP-2, YEL
NTSTD

DETAIL BA
RCP-2, YEL
NTSTD

JUNCTION BOX
4X4
(BED)

JUNCTION BOX
4X4
(SLIDEOUT)

136131-05-026
14-UL, YEL

136134-05-026
14-CA, YEL

BOX
8289-01-000 (2)
SCREW
G67-08-12B (4)
COVER
8294-01-000 (2)
CONNECTOR-CABLE
8356-01-000 (4)
WIRE-GROUND
133678-01-000 (2)
NUT-WIRE
8311-01-000 (16)

DETAIL CD

BLK (2)
WHT (2)
GRN (3)

BLK (2)
WHT (2)
GRN (3)

CORD-FLEX
136151-05-015
(YEL)

LOOP-BRN
WIRE ASM-110
END, YEL
WIRE ASM-110V

RCP-E
BLU
OR EXT ENT CTR
76C ID5

RECP-1, BLK
MICRO

RCP-2, BLU
GALLEY

RCP-2, YEL
BUNK

- 10. ROUTE WIRES THRU ROOF.
- 9. SEE WIRING INSTL-TV, SIDE FOR ADDITIONAL INFO.
- 8. SEE WIRING INSTL-TV, VCR FRONT FOR ADDITIONAL INFO.
- 7. NOT USED WITH (42D) OR (57W)
- 6. WIRE ROUTED IN SIDEWALL.
- 5. ROUTE WIRE THRU SIDEWALL.
- 4. SEE SHT 1 FOR BELOW FLOOR ROUTINGS.

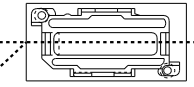
3. ALL GROUND WIRES TO BE COVERED WITH TUBING 8041-02-000.
2. ALL WIRES TO BE SECURED WITHIN 200MM OF ANY BOX.
1. ALL WIRES TO BE CLAMPED WITH CLAMP 10495-01-000 OR CLIP 80734-02-000 EVERY 700. USE SCREW G67-10-12B UNLESS OTHERWISE SPECIFIED.

NOTES:

- (53D) WTR HTR 6GAL/ELEC/LP/MOTOR/ID
- (ID5) ENTERTAINMENT CTR/EXT W/CD
- (76C) ENTERTAINMENT CTR/EXT CASSETTE
- (57W) DELUXE ENTERTAINMENT SYSTEM
- (42D) TV 25"-W/VIDEO SELECTION SYSTEM
- (12D) ELECTRICAL SYSTEM-30 AMP
- (265) CODES/STANDARDS-CSA/CMVSS
- (1B1) CODES/STANDARDS-US

DROP FROM SIDEWALL

RECP-BLANK
GALLEY, YEL



DETAIL CA

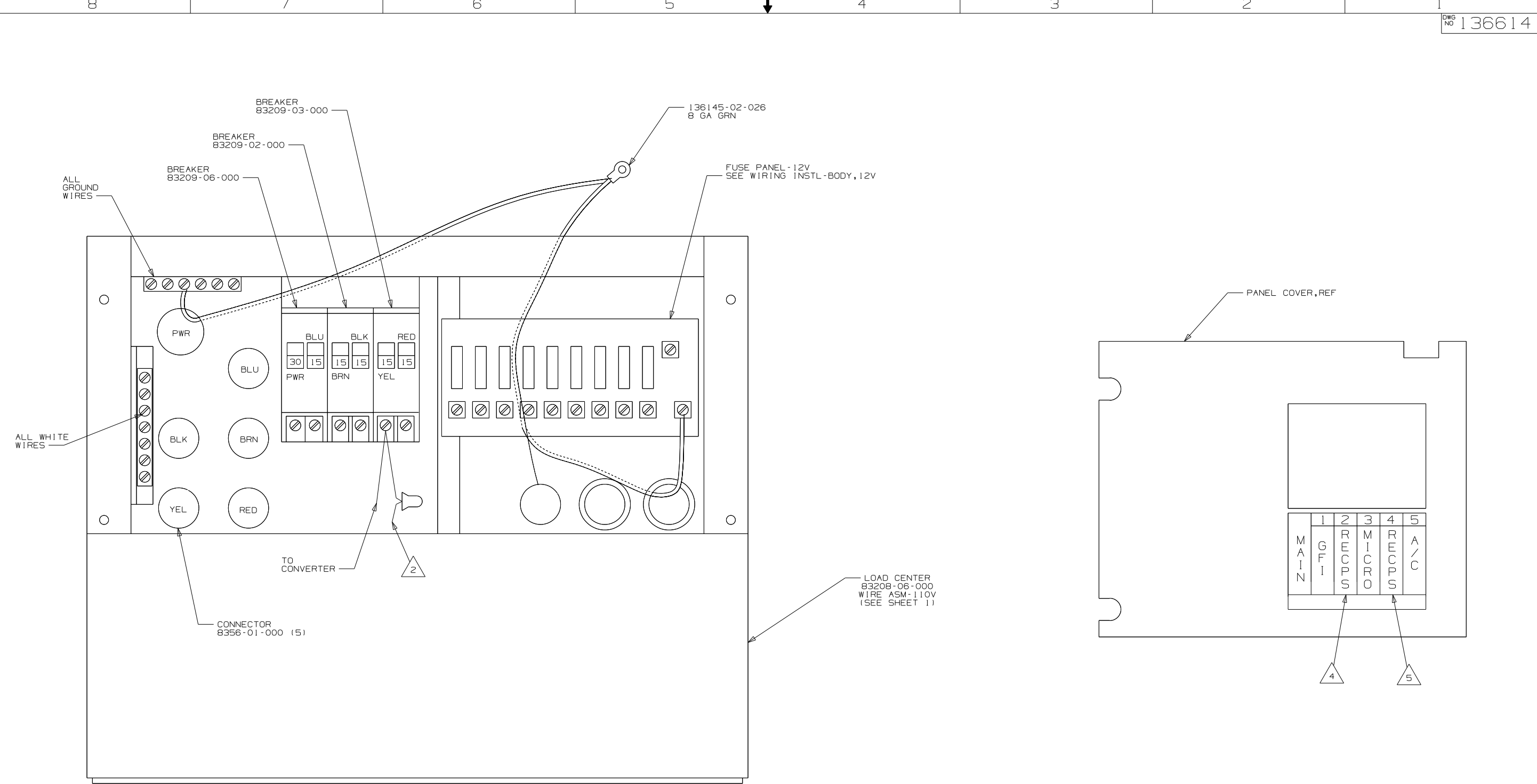
LOOP, YEL
WIRE ASM-110V

FOR ELECTRICAL
TORQUE
SPECIFICATIONS
SEE DWG NO.
128783-01-000

FOR ELECTRICAL
CALLOUTS
SEE DWG NO.
121339-01-000

RIGHT SIDE (1B1) (265) (12D)

| | |
|----------------------|-------------------------|
| FIRST USED | 01 427P |
| DO NOT SCALE DRAWING | |
| TITLE: | WIRING INSTL-BODY, 110V |
| SHEET 3 5 | PART NO 136614 |



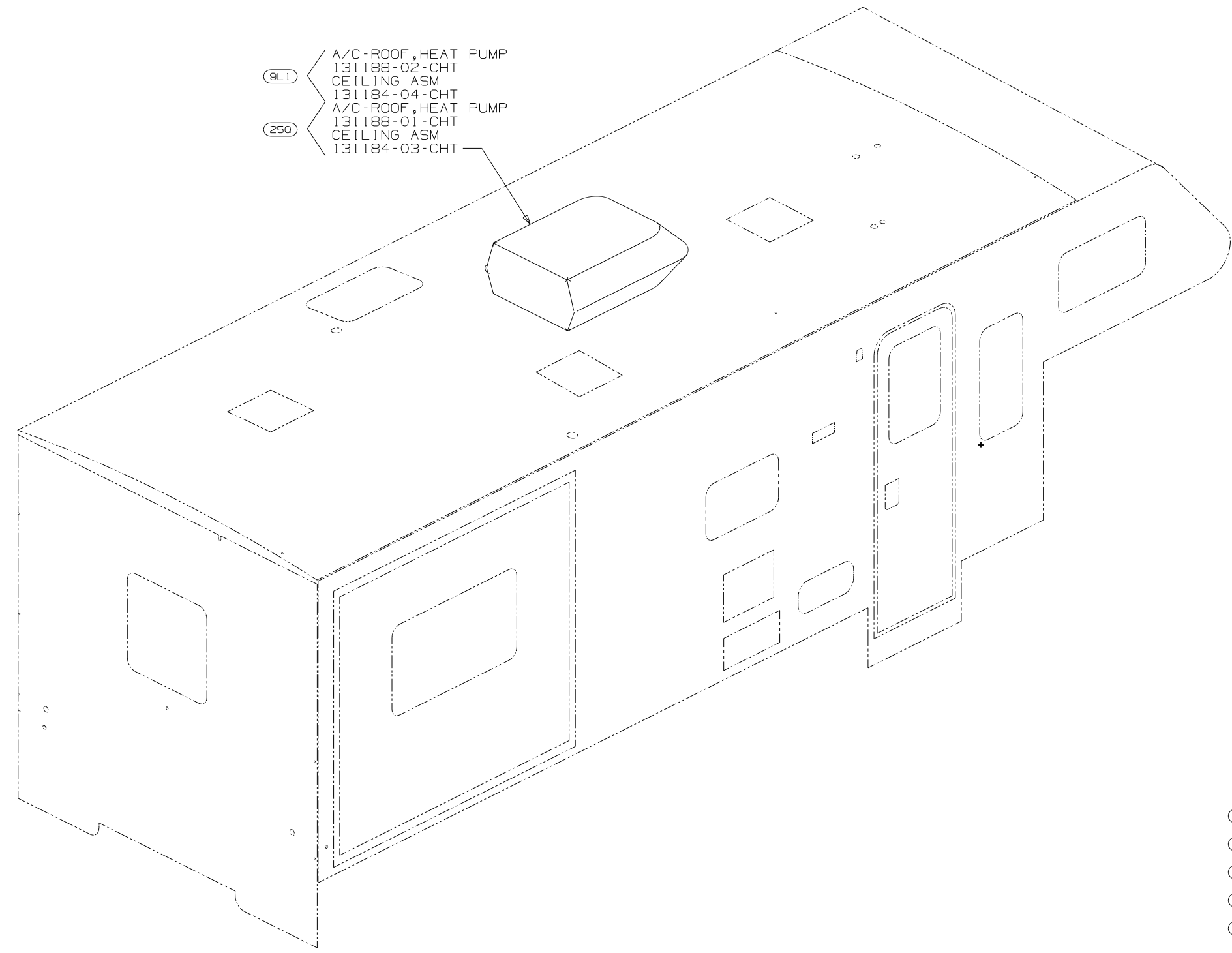
- NOTES:
- 1. COVER ALL GROUND WIRES WITH TUBING 8041-02-000.
 - 2. MAKE CONNECTION TO PROVIDED CONVERTER LEAD WITH SUPPLIED NUT CONNECTOR.
 - 3. SEE WIRING DIAGRAM-BODY, 110V FOR CIRCUIT LAYOUTS
 - 4. INCLUDES REFRIGERATOR
 - 5. INCLUDES CONVERTER

| | |
|-----|---------------------------|
| 1B1 | ELELCTRICAL SYSTEM-30 AMP |
| 265 | CODES/STANDARDS-CSA/CMVSS |
| 1B1 | CODES/STANDARDS-US |
| 1B1 | |
| 265 | |
| 12D | |

| | | | |
|-------------------------|---|---------|--------|
| FIRST USED | | 01 427P | |
| DO NOT SCALE DRAWING | | | |
| TITLE: | | | |
| WIRING INSTL-BODY, 110V | | | |
| SHEET 4 | 5 | PART NO | 136614 |

FOR ELECTRICAL TORQUE SPECIFICATIONS SEE DWG NO. 128783-01-000

(X-X) FOR ELECTRICAL CALLOUTS SEE DWG NO. 121339-01-000



- (9L1) {
 - A/C-ROOF, HEAT PUMP
 - 131188-02-CHT
 - CEILING ASM
 - 131184-04-CHT
- (250) {
 - A/C-ROOF, HEAT PUMP
 - 131188-01-CHT
 - CEILING ASM
 - 131184-03-CHT

- (9L1) HOME COMFORT PACKAGE, PLUS
- (265) CODES/STANDARDS-CSA/CMVSS
- (250) A/C-ROOF AIR, 14,800 BTU
- (12D) ELECTRICAL SYSTEM-30A
- (1B1) CODES/STANDARDS-USA

(1B1) (12D) (265)

1. SEE WIRING INSTL-BODY, 12V FOR ADDITIONAL INFORMATION.

NOTES:

FOR ELECTRICAL TORQUE SPECIFICATIONS SEE DWG NO. 128783-01-000

(X-X) FOR ELECTRICAL CALLOUTS SEE DWG NO. 121339-01-000

| | | |
|----------------------|-------------------------|----------------|
| FIRST USED | 01 427P | |
| DO NOT SCALE DRAWING | | |
| TITLE: | WIRING INSTL-BODY, 110V | |
| SHEET 5 | 5 | PART NO 136614 |