



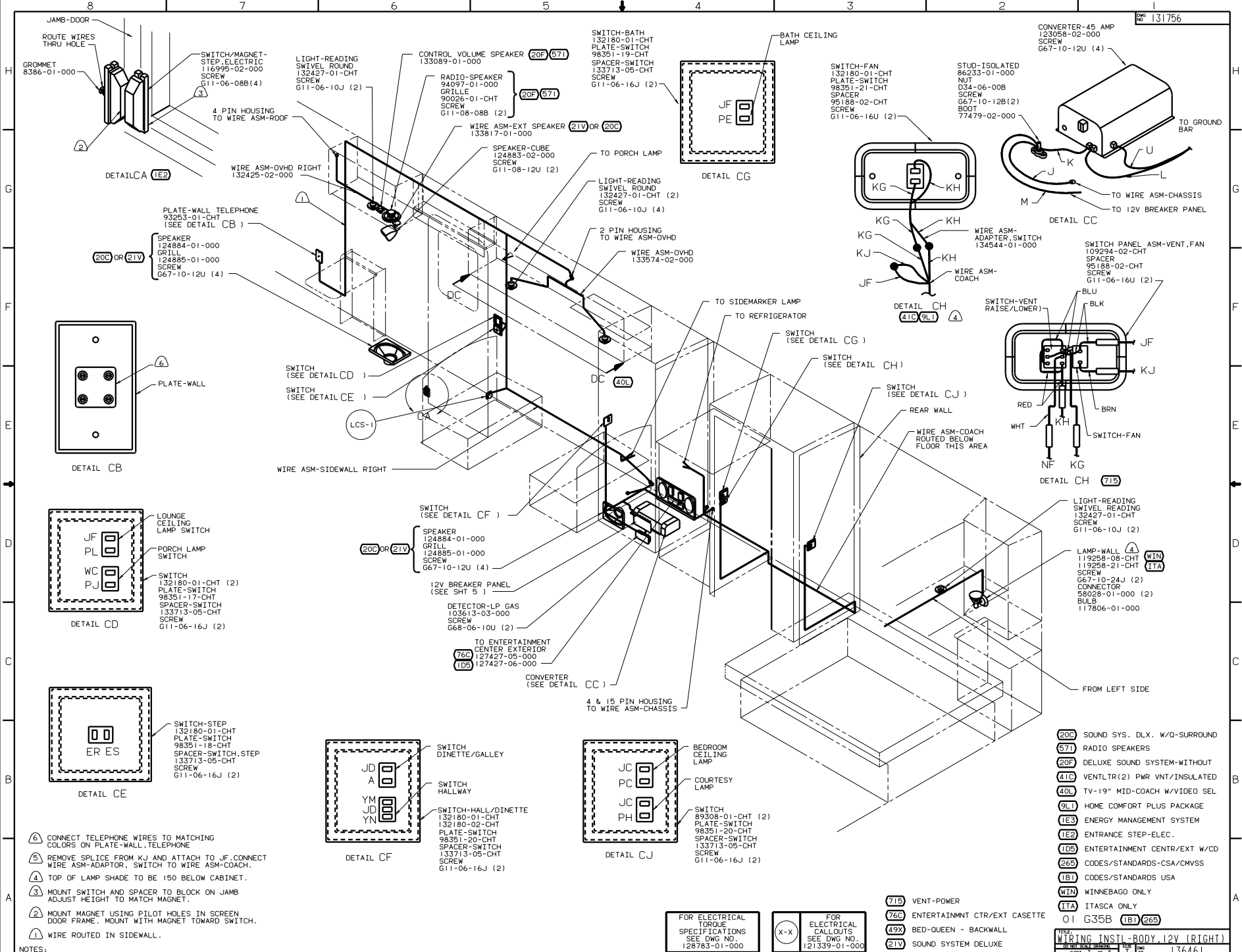
DANGER

Danger of electrical shock, burns or death. Always remove all power sources before attempting any repair, service or diagnostic work. Power can be present from shore power, generator, inverter or battery. All power sources must be disabled and secured before performing any service.



CAUTION

If you lack the skills, tools or equipment to perform diagnostic or repair work leave such work to an authorized Winnebago Industries dealer or other qualified shop.



- ① CONNECT TELEPHONE WIRES TO MATCHING COLORS ON PLATE-WALL, TELEPHONE
- ② REMOVE SPLICE FROM KJ AND ATTACH TO JF. CONNECT WIRE ASM-ADAPTOR, SWITCH TO WIRE ASM-COACH.
- ③ TOP OF LAMP SHADE TO BE 150 BELOW CABINET.
- ④ MOUNT SWITCH AND SPACER TO BLOCK ON JAMB ADJUST HEIGHT TO MATCH MAGNET.
- ⑤ MOUNT MAGNET USING PILOT HOLES IN SCREEN DOOR FRAME. MOUNT WITH MAGNET TOWARD SWITCH.
- ⑥ WIRE ROUTED IN SIDEWALL.

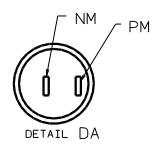
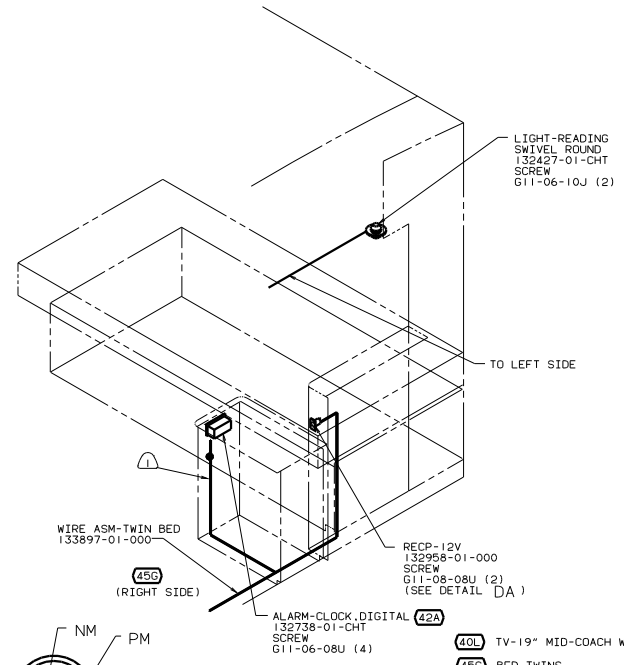
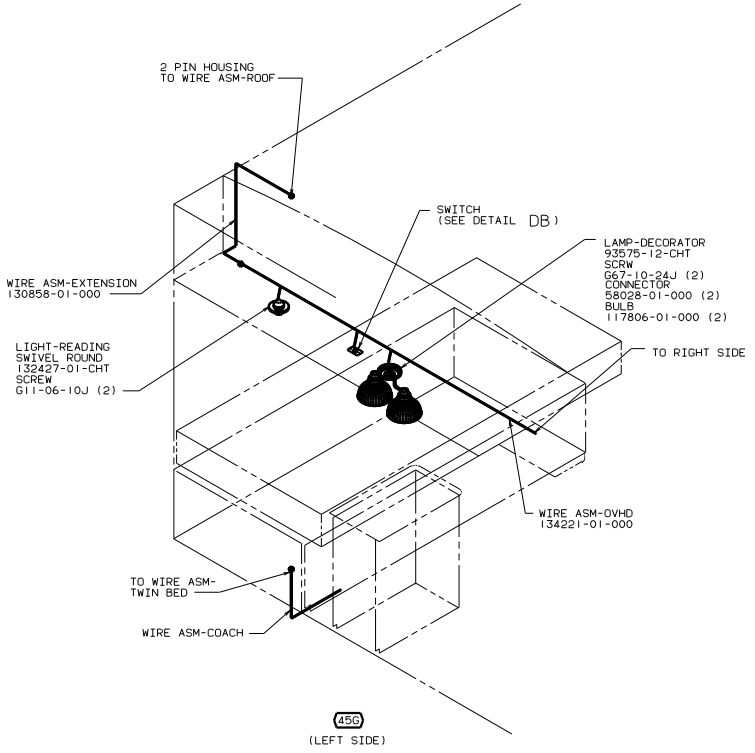
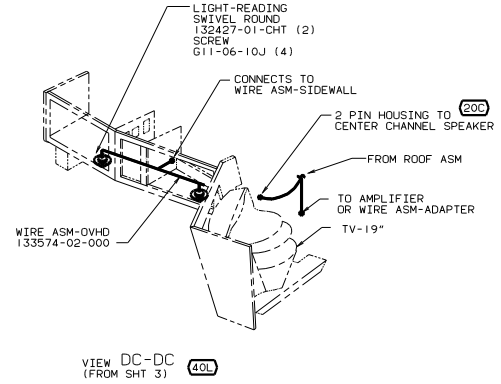
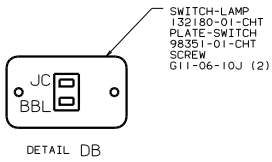
NOTES:

- 20C SOUND SYS. DLX. W/O-SURROUND
- 571 RADIO SPEAKERS
- 20F DELUXE SOUND SYSTEM-WITHOUT
- 41C VENTLR(2) PWR VNT/INSULATED
- 40L TV-19" MID-COACH W/VIDEO SEL
- 91L HOME COMFORT PLUS PACKAGE
- 1E3 ENERGY MANAGEMENT SYSTEM
- 1E2 ENTRANCE STEP-ELEC.
- 1D9 ENTERTAINMENT CENTR/EXT W/CD
- 265 CODES/STANDARDS-CSA/CMVSS
- 1B1 CODES/STANDARDS USA
- 1B1N WINNEBAGO ONLY
- 1TA ITASCA ONLY
- 01 G35B 1B1 265

- 715 VENT-POWER
- 76C ENTERTAINMENT CTR/EXT CASSETTE
- 49X BED-QUEEN - BACKWALL
- 21V SOUND SYSTEM DELUXE

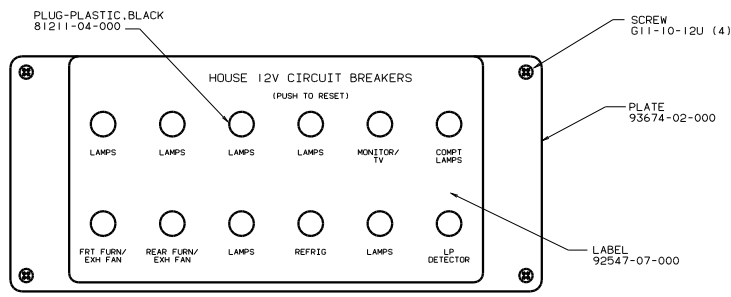
FOR ELECTRICAL CALLOUTS SEE DWG NO. 128783-01-000

FOR ELECTRICAL TORQUE SEE DWG NO. 121339-01-000

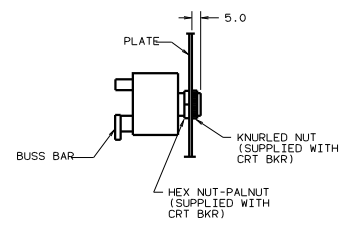


- 40L TV-19" MID-COACH W/VIDEO SEL
 - 45G BED-TWINS
 - 42A CLOCK W/ALARM
 - 265 CODES/STANDARDS-CSA/CMVSS
 - 1B1 CODES/STANDARDS USA
- 01 G35B 1B1 265

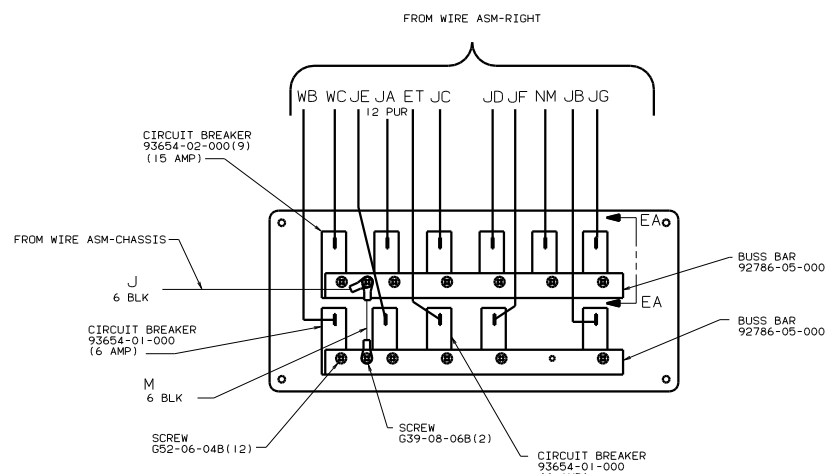
NOTES:
1 COIL UP WIRE BELOW DRAWER WITHOUT 42A



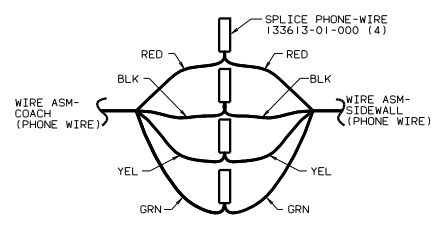
CIRCUIT BREAKER (FRONT VIEW)



SECTION EA-EA



CIRCUIT BREAKER (BACK VIEW)



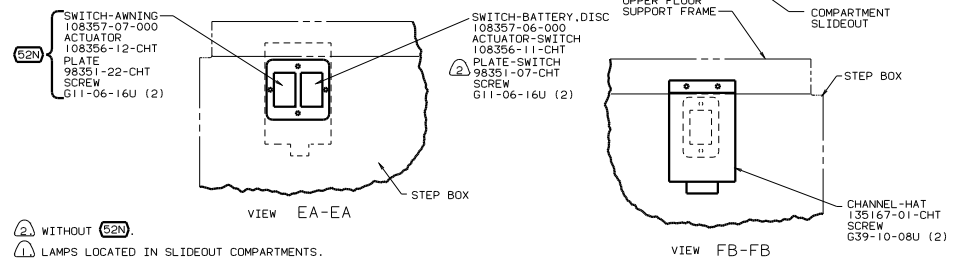
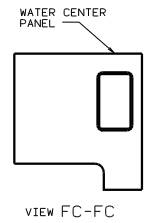
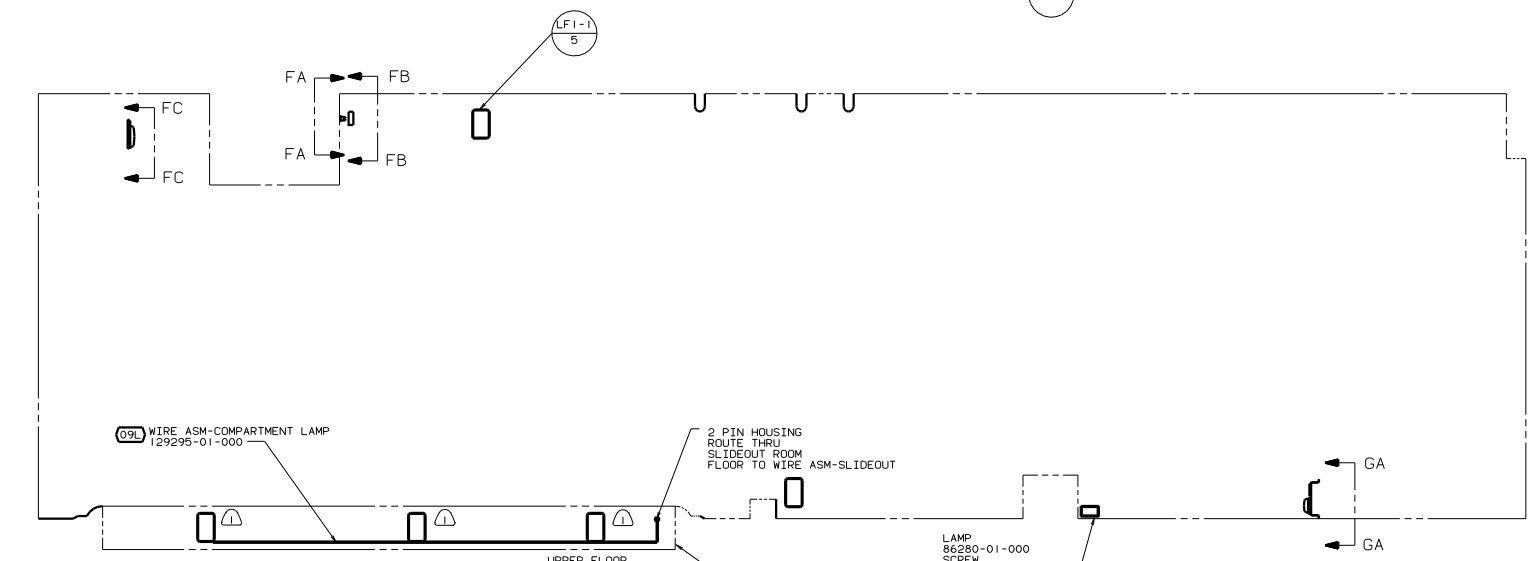
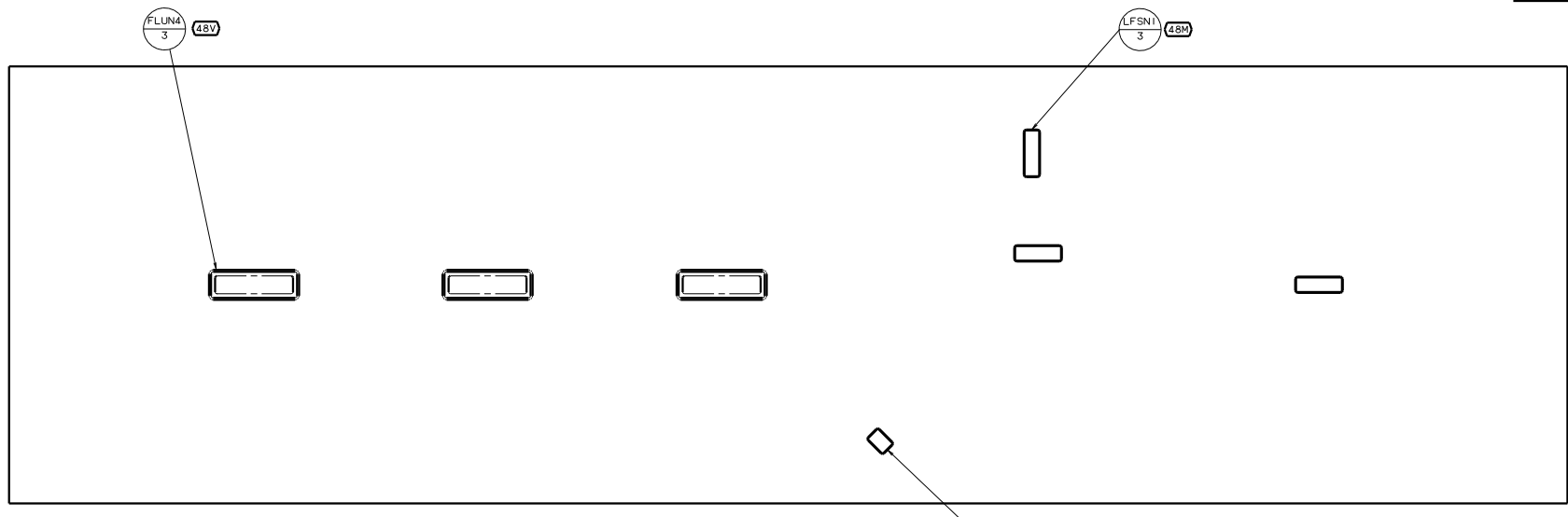
DETAIL DB

NOTES:

FOR ELECTRICAL TORQUE SPECIFICATIONS SEE DWG NO. 128783-01-000

(265) CODES/STANDARDS-CSA/CMVSS
 (181) CODES/STANDARDS USA
 01 G35B (181) (265)

TITLE: WIRING INSTL-BODY(12 BP)	
NO. OF SHEETS: 8	TOT. SHEETS: 8
SHEET NO. 5	DWG NO. 136461



LAMP 86280-01-000
SCREW G67-10-12U (4)
CONNECTOR 58028-01-000 (2)

- (52N) AWNING - PATIO. ELECTRIC
- (48V) LIGHTS-FLUORESCENT
- (48M) LIGHTS-INCANDESCENT
- (26S) CODES/STANDARDS-CSA/CMVSS
- (181) CODES/STANDARDS USA

FOR ELECTRICAL TORQUE SPECIFICATIONS SEE DWG NO. 128783-01-000

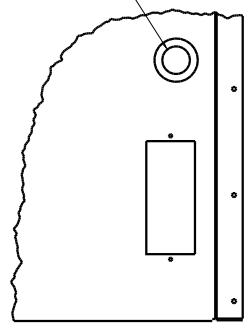
FOR ELECTRICAL CALLOUTS SEE DWG NO. 121339-01-000

01 G35B (181)(26S)
WIRING INSTL-BODY,12V (CL)
136461

NOTE:
WITHOUT (52N)
LAMPS LOCATED IN SLIDEOUT COMPARTMENTS.

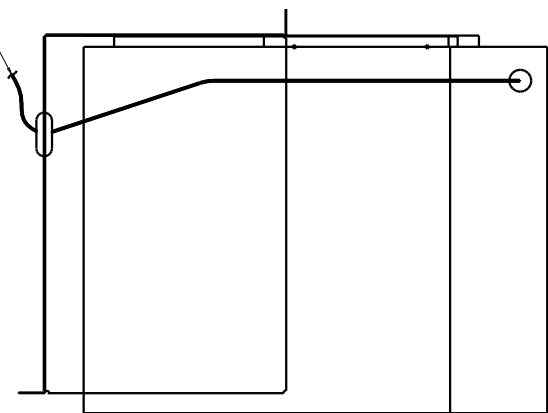
WIRE ASM-THERMOSTAT
(COIL UP AND TIE EXCESS
WIRE IN BASEMENT AREA
WITH WIRE TIE 8343-02-000)

GROMMET
23942-01-000

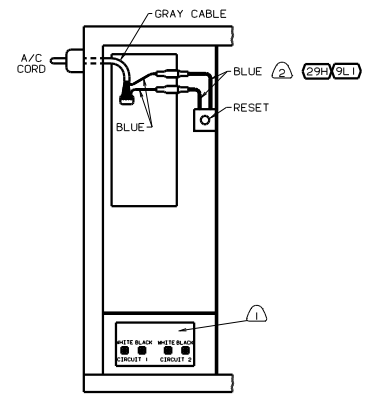


VIEW GE-GE

TO THERMOSTAT

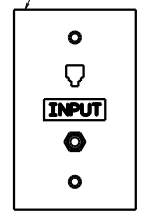


VIEW GD-GD

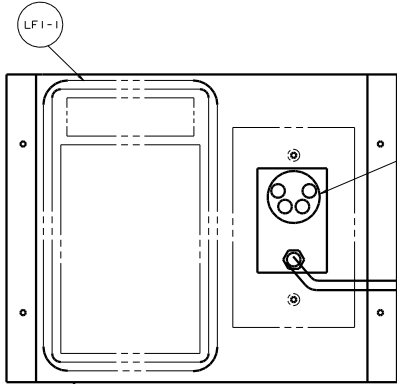


VIEW GF-GF

PLATE-WALL, TELEPHONE/COAX
130686-01-CHT
LABEL
87236-01-000
SCREW
G39-08-08U (2)



DETAIL GB
(FRONT VIEW)



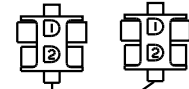
VIEW GA-GA
(REAR VIEW)

PANEL-SERVICE
132862-01-CHT
SCREW
G67-10-10U (4)

(SEE DETAIL GB)

COAXIAL CABLE
(RED)

2 PIN HOUSING
TO WIRE ASM-
CLEARANCE REAR

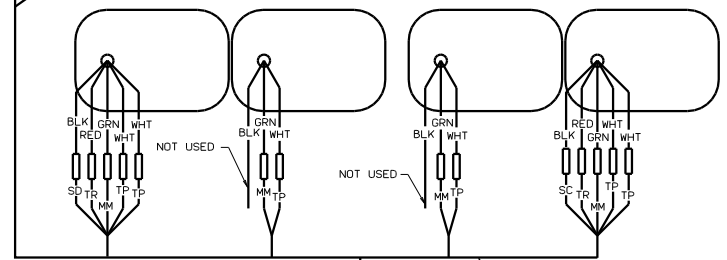


TO PIN HOUSING
TO WIRE ASM-
BACKWALL



(REAR VIEW OF LEFT
TAILLAMP SHOWING WIRING)

(REAR VIEW OF RIGHT
TAILLAMP SHOWING WIRING)



TO WIRE ASM CHASSIS

WIRE ASM-TAILLAMP

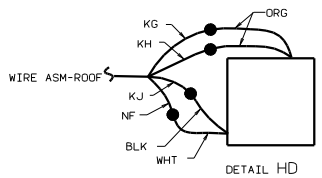
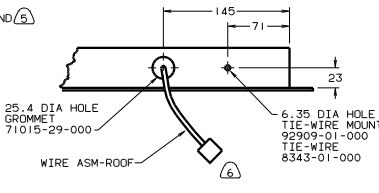
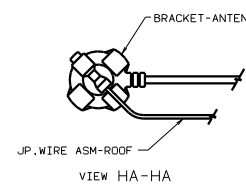
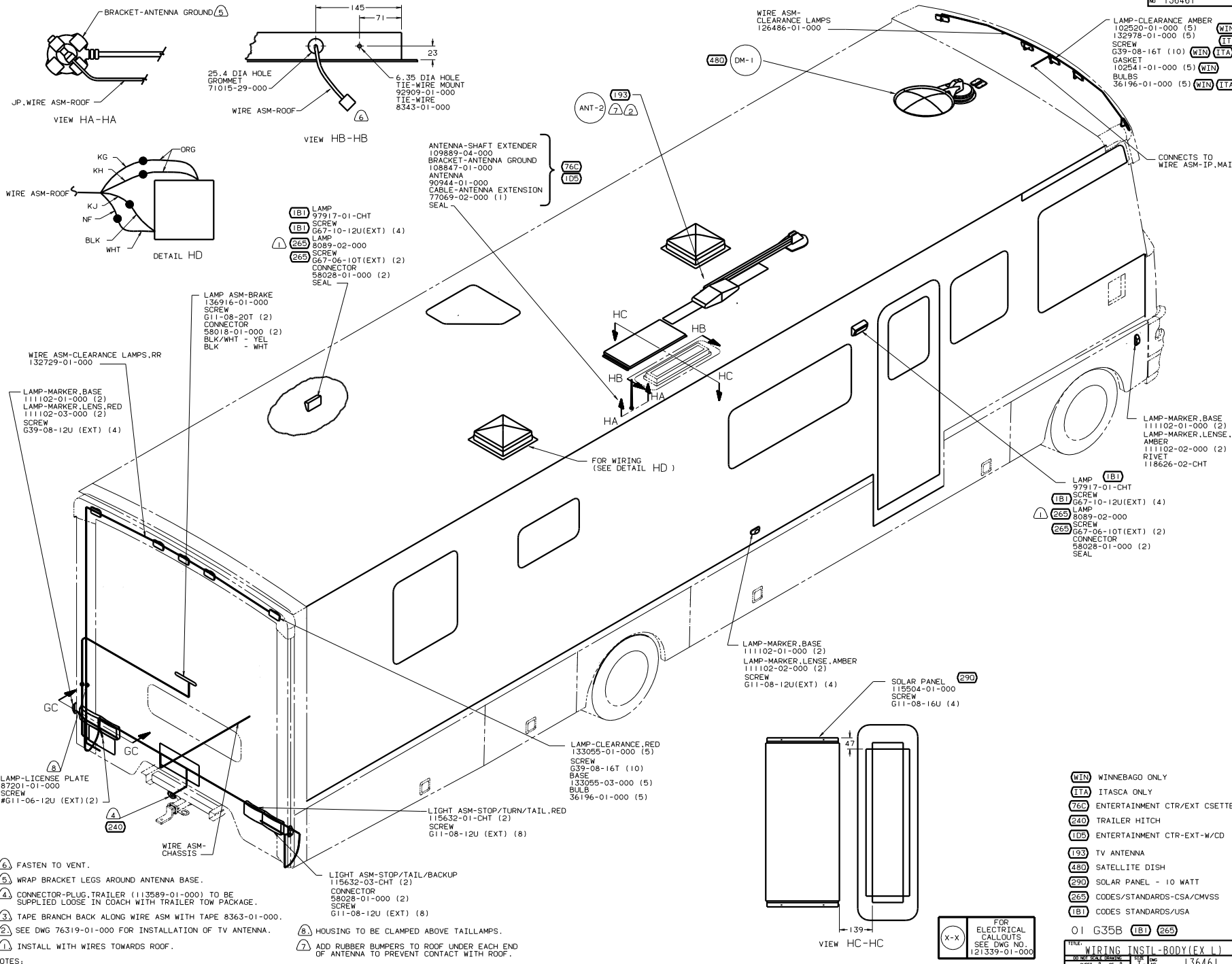
VIEW GC-GC

- ③ CONNECT TELEPHONE WIRES TO MATCHING COLORS ON PLATE-WALL, TELEPHONE.
 - ② CONNECT BLUE WIRES FROM RESET TO THE BLUE WIRES WITH SPADE TERMINALS ON A/C CORD WITH (29H) & (9L1) FEATURE.
1. SEE WIRING INSTL-BODY.110V FOR ADDITIONAL INFORMATION.

- (9L1) HOME COMFORT PLUS PACKAGE
- (29H) HEAT PUMP-A/C CENTRAL
- (265) CODES/STANDARDS-CSA/CMVSS
- (1B1) CODES/STANDARDS USA

FOR ELECTRICAL CALLOUTS
SEE DWG NO.
121339-01-000

01 G35B (1B1) (265)
WIRING INSTL-BODY.12V (C-A/C)
SHEET 7 OF 8

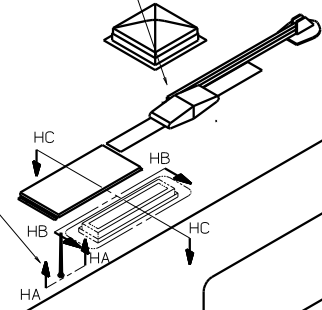


- ANTENNA-SHAFT EXTENDER 109889-04-000
- BRACKET-ANTENNA GROUND 108847-01-000
- ANTENNA 90944-01-000
- CABLE-ANTENNA EXTENSION 77069-02-000 (1)
- SEAL

- (1B1) LAMP 97917-01-CHT
- (1B1) SCREW G67-10-12U(EXT) (4)
- (265) LAMP 8089-02-000
- (265) SCREW G67-06-10T(EXT) (2)
- (265) CONNECTOR 58028-01-000 (2)
- SEAL

- LAMP ASM-BRAKE 136916-01-000
- SCREW G11-08-20T (2)
- CONNECTOR 58018-01-000 (2)
- BLK/WHT - YEL
- BLK
- WHT

- WIRE ASM-CLEARANCE LAMPS,RR 132729-01-000
- LAMP-MARKER, BASE 111102-01-000 (2)
- LAMP-MARKER, LENS, RED 111102-03-000 (2)
- SCREW G39-08-12U (EXT) (4)



- LAMP-MARKER, BASE 111102-01-000 (2)
- LAMP-MARKER, LENSE, AMBER 111102-02-000 (2)
- SCREW G11-08-12U(EXT) (4)

- LAMP-CLEARANCE, RED 133055-01-000 (5)
- SCREW G39-08-16T (10)
- BASE 133055-03-000 (5)
- BULB 36196-01-000 (5)

- LIGHT ASM-STOP/TURN/TAIL, RED 115632-01-CHT (2)
- SCREW G11-08-12U (EXT) (8)

- LIGHT ASM-STOP/TAIL/BACKUP 115632-03-CHT (2)
- CONNECTOR 58028-01-000 (2)
- SCREW G11-08-12U (EXT) (8)

- (6) FASTEN TO VENT.
- (5) WRAP BRACKET LEGS AROUND ANTENNA BASE.
- (4) CONNECTOR-PLUG, TRAILER (113589-01-000) TO BE SUPPLIED LOOSE IN COACH WITH TRAILER TOW PACKAGE.
- (3) TAPE BRANCH BACK ALONG WIRE ASM WITH TAPE 8363-01-000.
- (2) SEE DWG 76139-01-000 FOR INSTALLATION OF TV ANTENNA.
- (1) INSTALL WITH WIRES TOWARDS ROOF.

- (8) HOUSING TO BE CLAMPED ABOVE TAILLAMPS.
- (7) ADD RUBBER BUMPERS TO ROOF UNDER EACH END OF ANTENNA TO PREVENT CONTACT WITH ROOF.

NOTES:

- (WIN) WINNEBAGO ONLY
- (ETA) ITASCA ONLY
- (760) ENTERTAINMENT CTR/EXT CSETTE
- (240) TRAILER HITCH
- (1D5) ENTERTAINMENT CTR-EXT-W/CD
- (193) TV ANTENNA
- (480) SATELLITE DISH
- (290) SOLAR PANEL - 10 WATT
- (265) CODES/STANDARDS-CSA/CMVSS
- (1B1) CODES STANDARDS-USA

01 G35B (1B1) (265)

TITLE: WIRING INSTL-BODY(EX L)

NO. OF SHEETS: 8

SHEET: 8 OF 8

DATE: 11/80

DWG NO: 136461

(X-X)

FOR ELECTRICAL CALLOUTS SEE DWG NO. 121339-01-000

VIEW HC-HC