



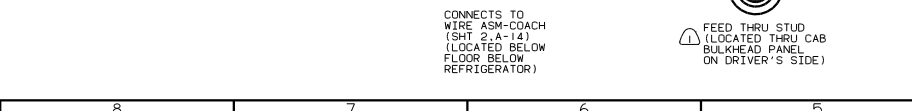
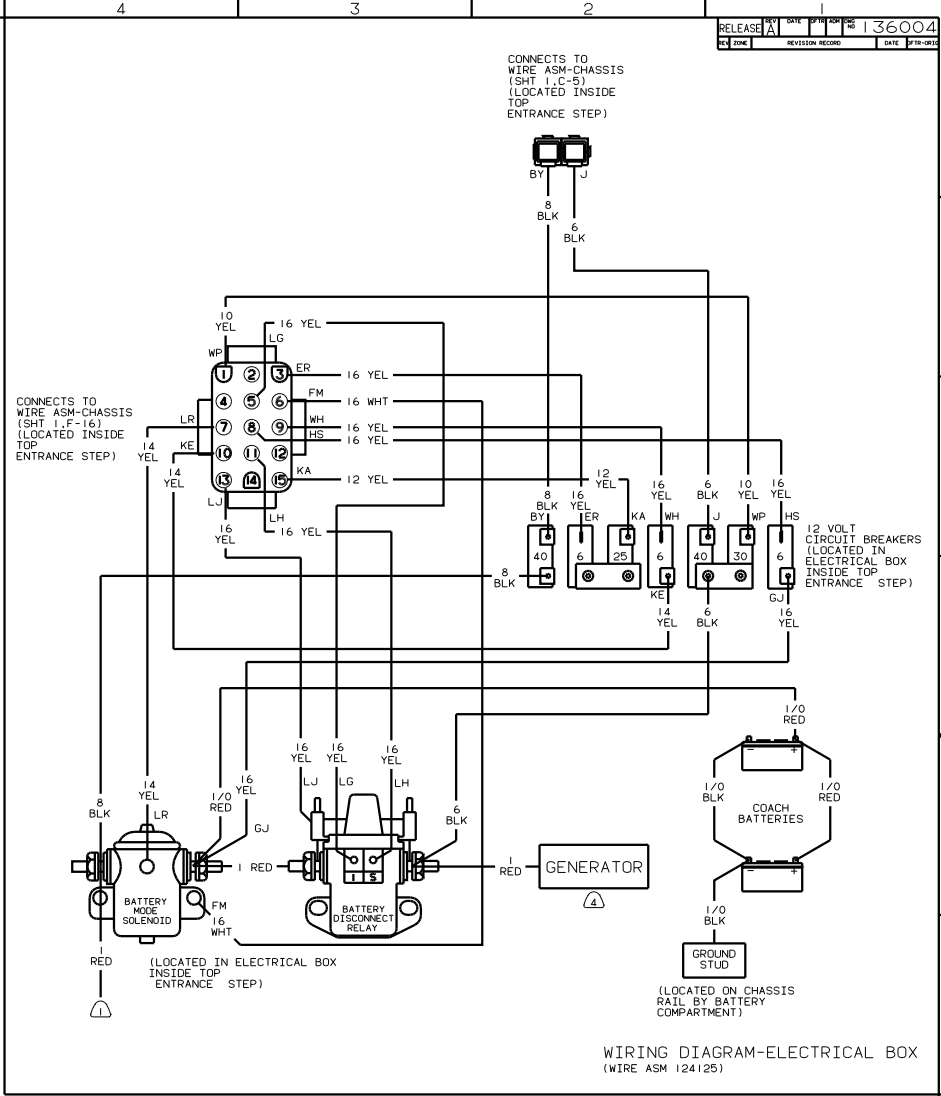
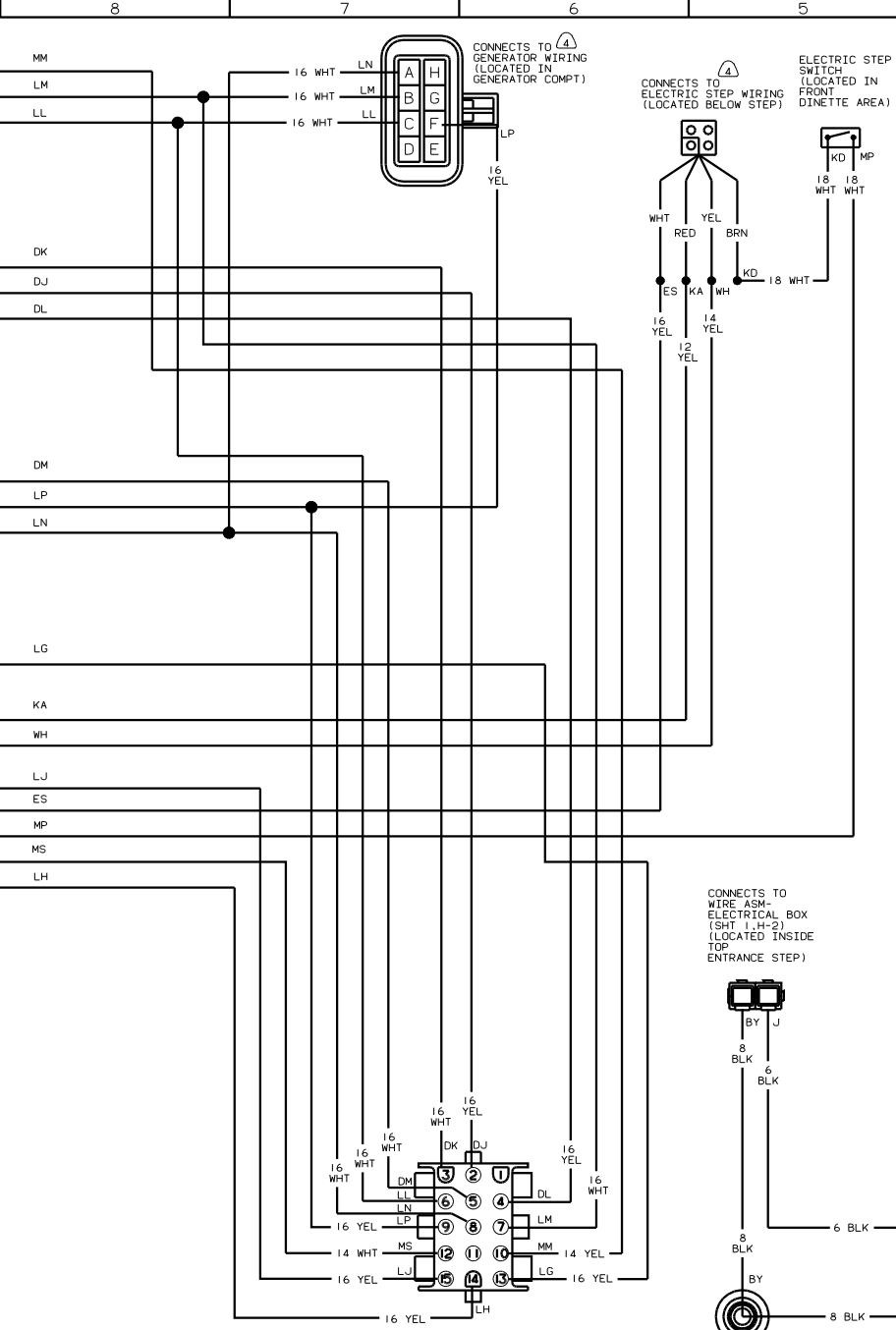
DANGER

Danger of electrical shock, burns or death. Always remove all power sources before attempting any repair, service or diagnostic work. Power can be present from shore power, generator, inverter or battery. All power sources must be disabled and secured before performing any service.



CAUTION

If you lack the skills, tools or equipment to perform diagnostic or repair work leave such work to an authorized Winnebago Industries dealer or other qualified shop.



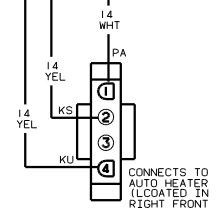
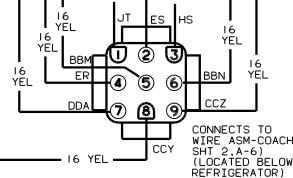
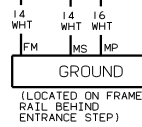
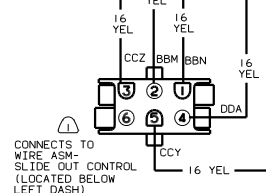
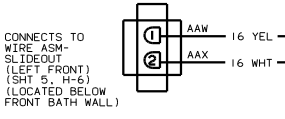
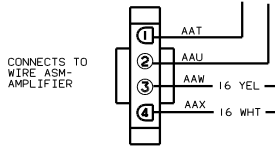
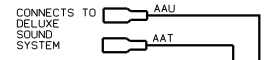
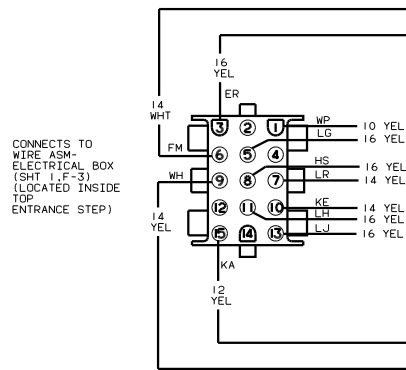
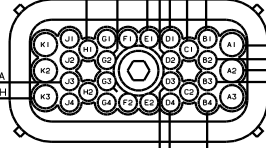
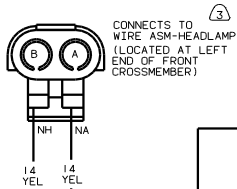
WIRING DIAGRAM-CHASSIS (WIRE ASM 136010)

WINNEBAGO 01 L34Y

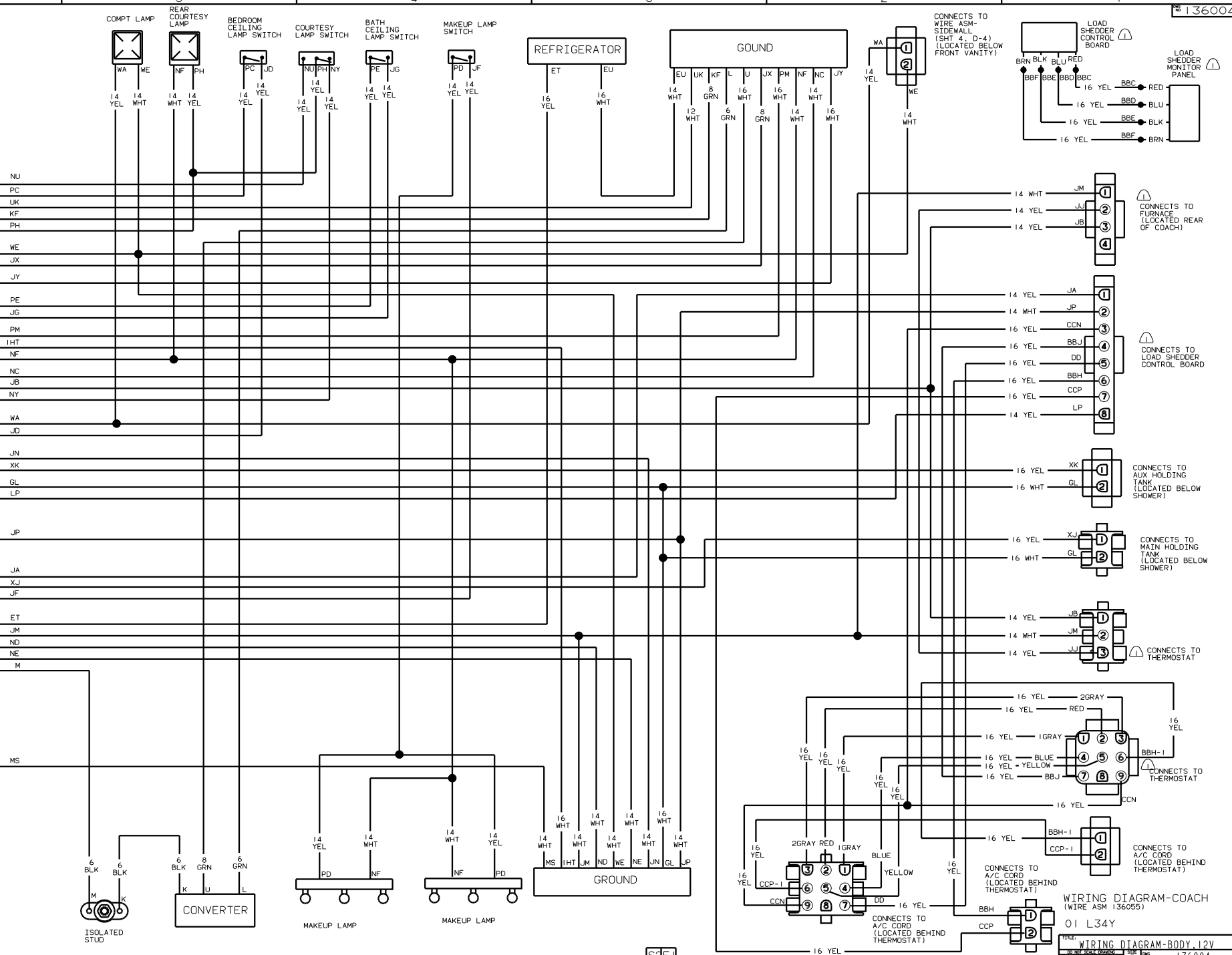
DATE	DESCRIPTION	BY	CHKD

WIRING DIAGRAM-BODY I2V

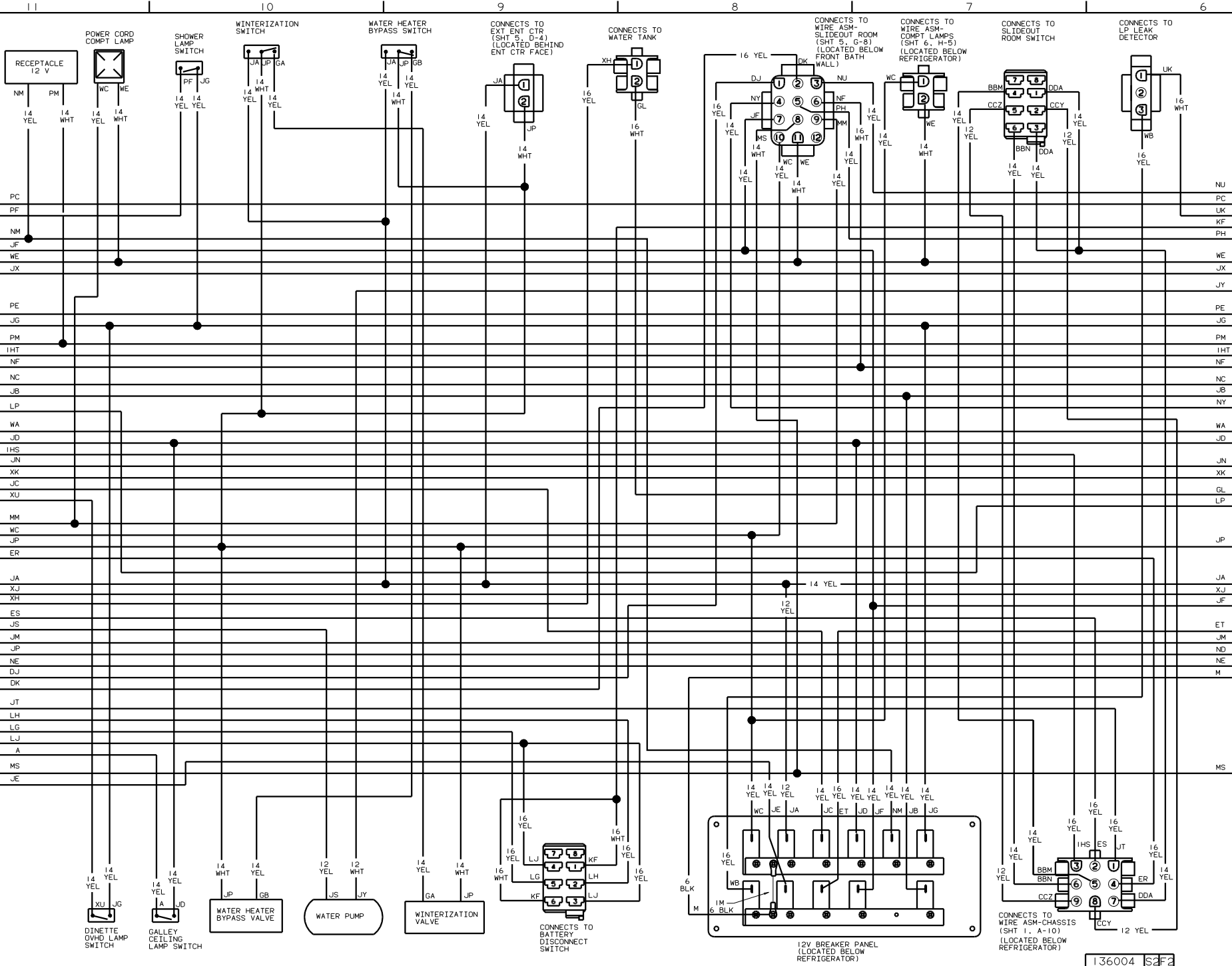
REF: 132161-D 1

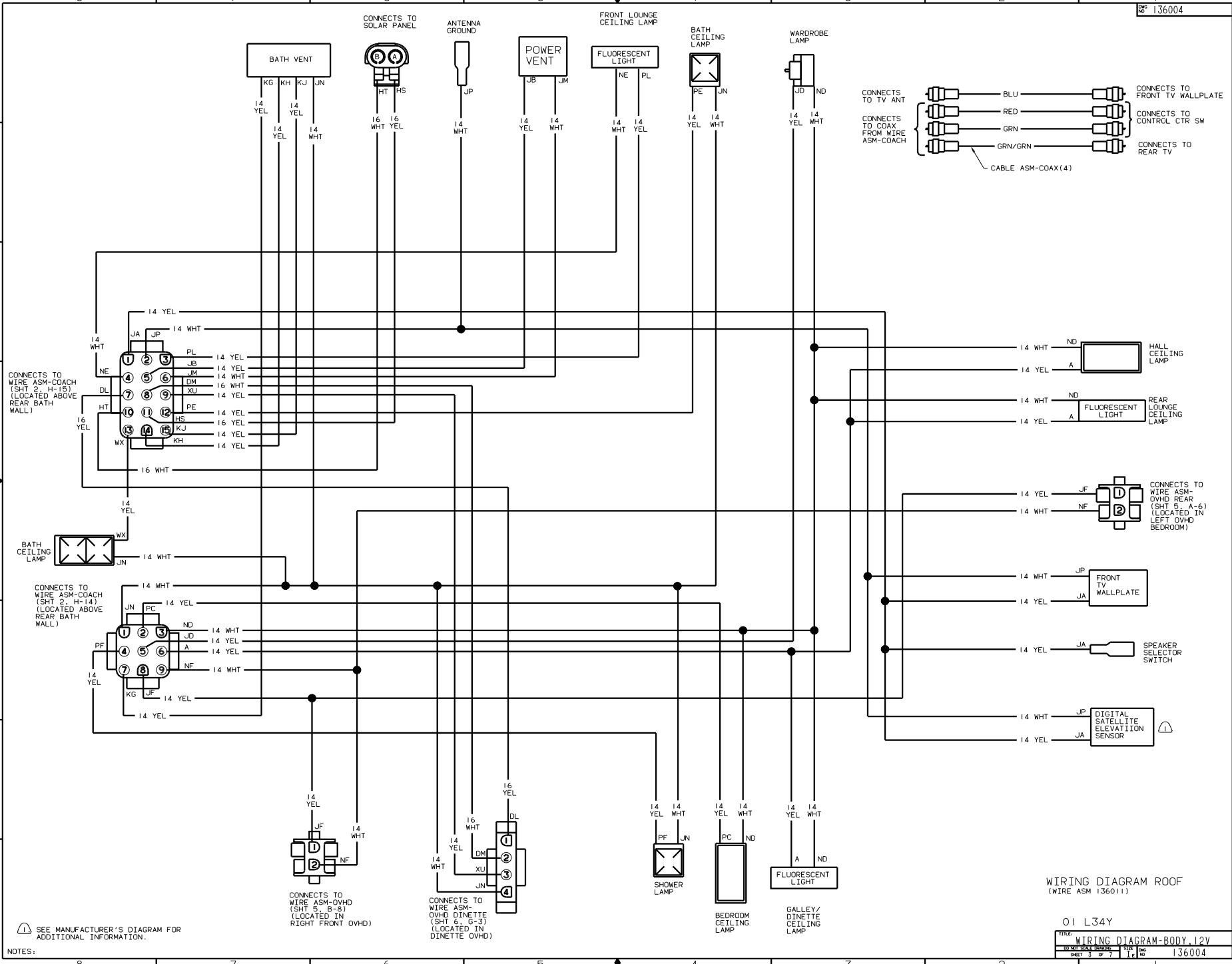


- NOTES:
- ④ SEE MANUFACTURER'S DIAGRAM FOR ADDITIONAL INFORMATION.
 - ③ SEE WIRING DIAGRAM-AUTO LAMPS FOR ADDITIONAL INFORMATION.
 - ② SEE SHT 2 FOR ADDITIONAL INFORMATION
 - ① SEE WIRING DIAGRAM-AUTO FOR ADDITIONAL INFORMATION.



WIRING DIAGRAM-COACH
 (WIRE ASM 136055)
 01 L34Y
 WIRING DIAGRAM-BODY.12V
 SHEET 2 OF 7
 136004

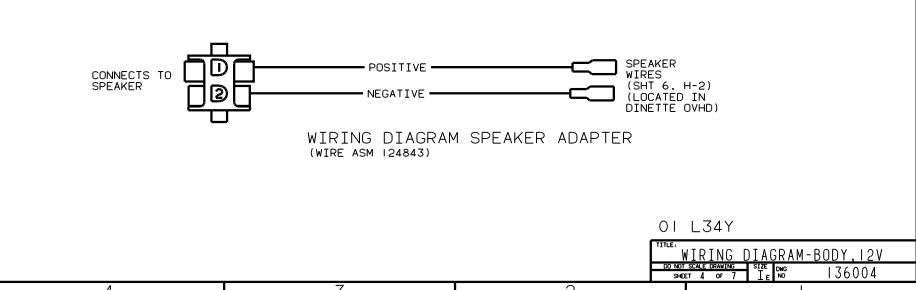
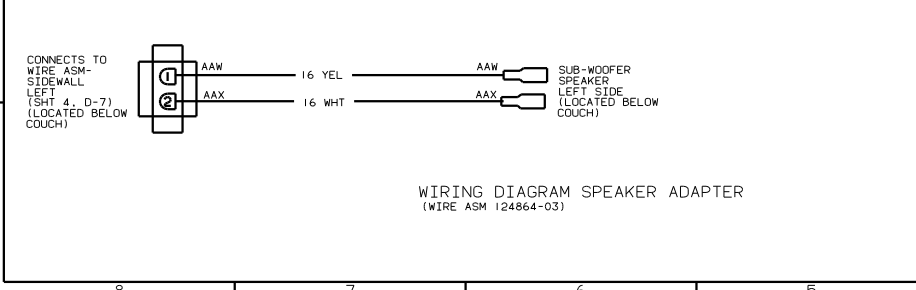
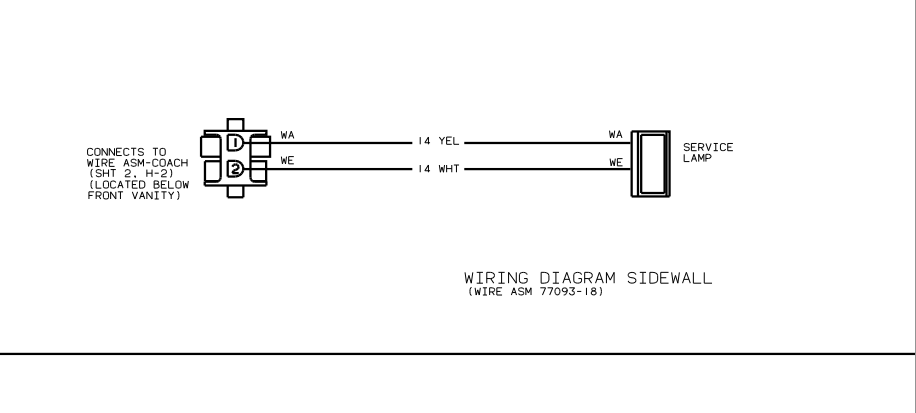
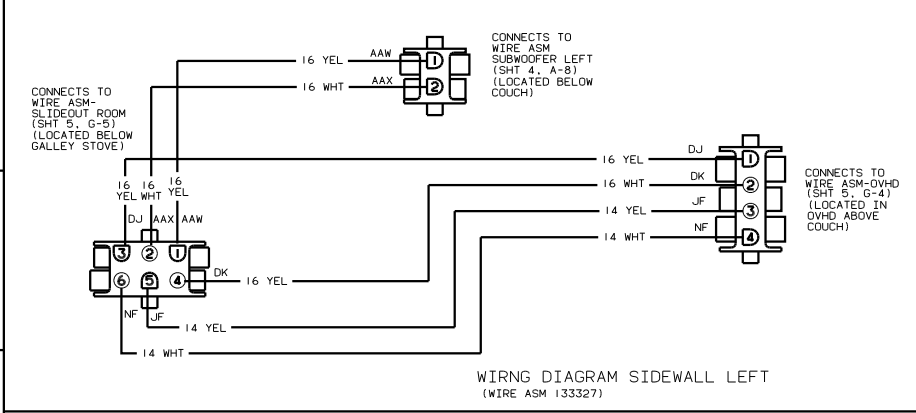
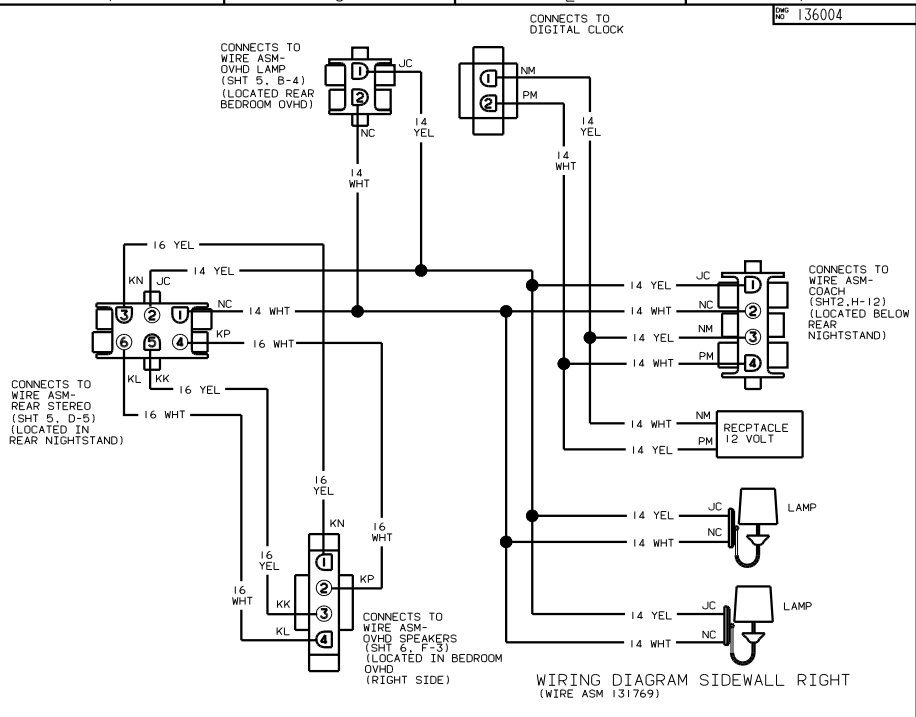
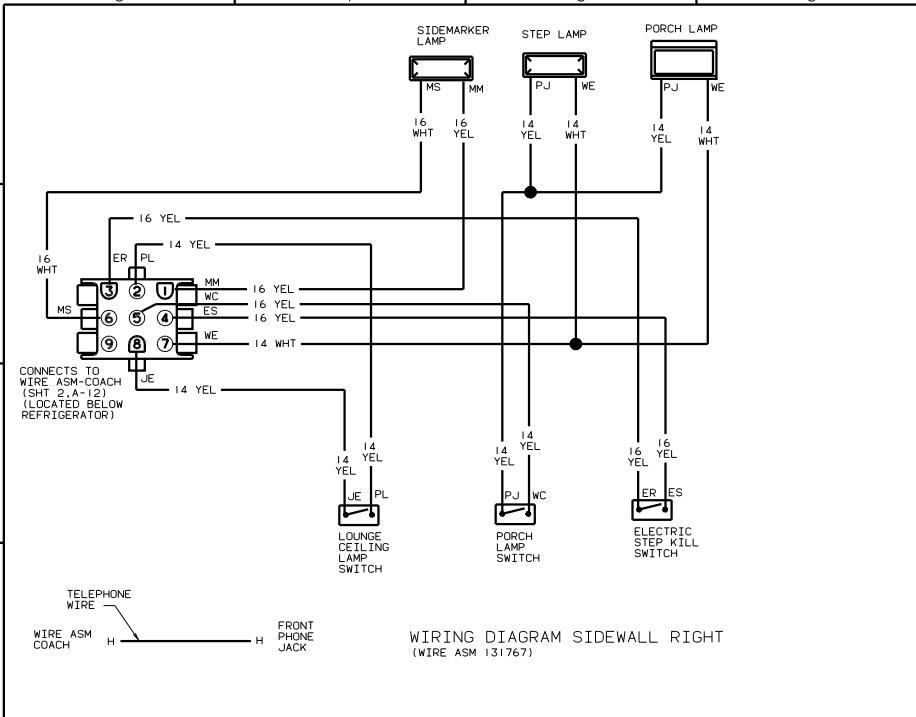


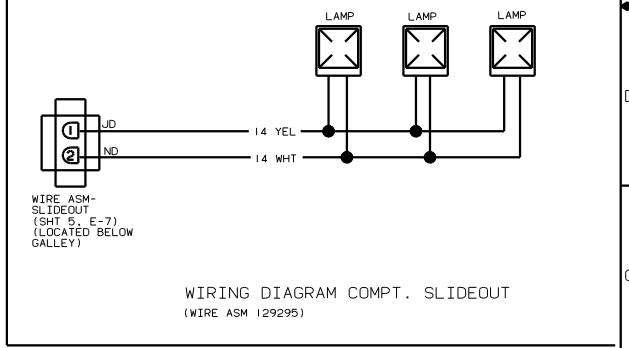
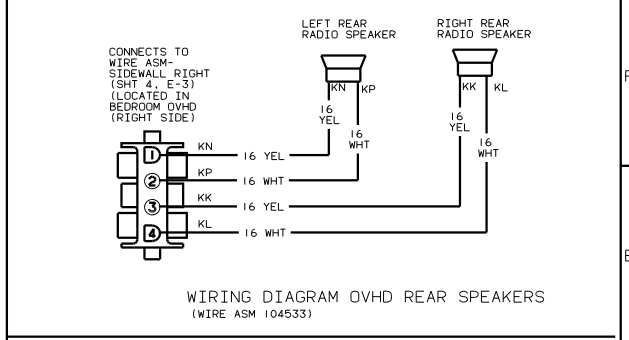
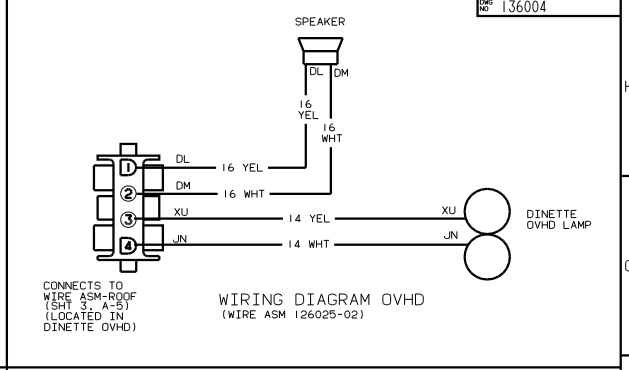
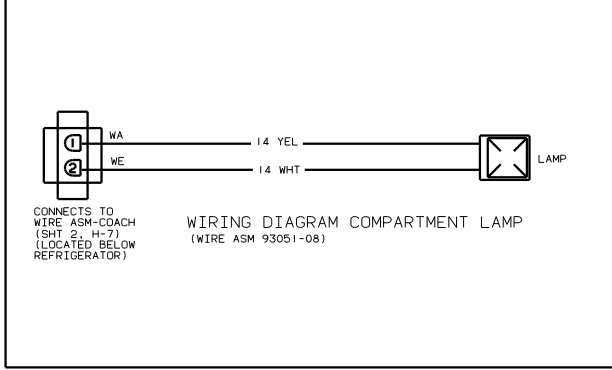


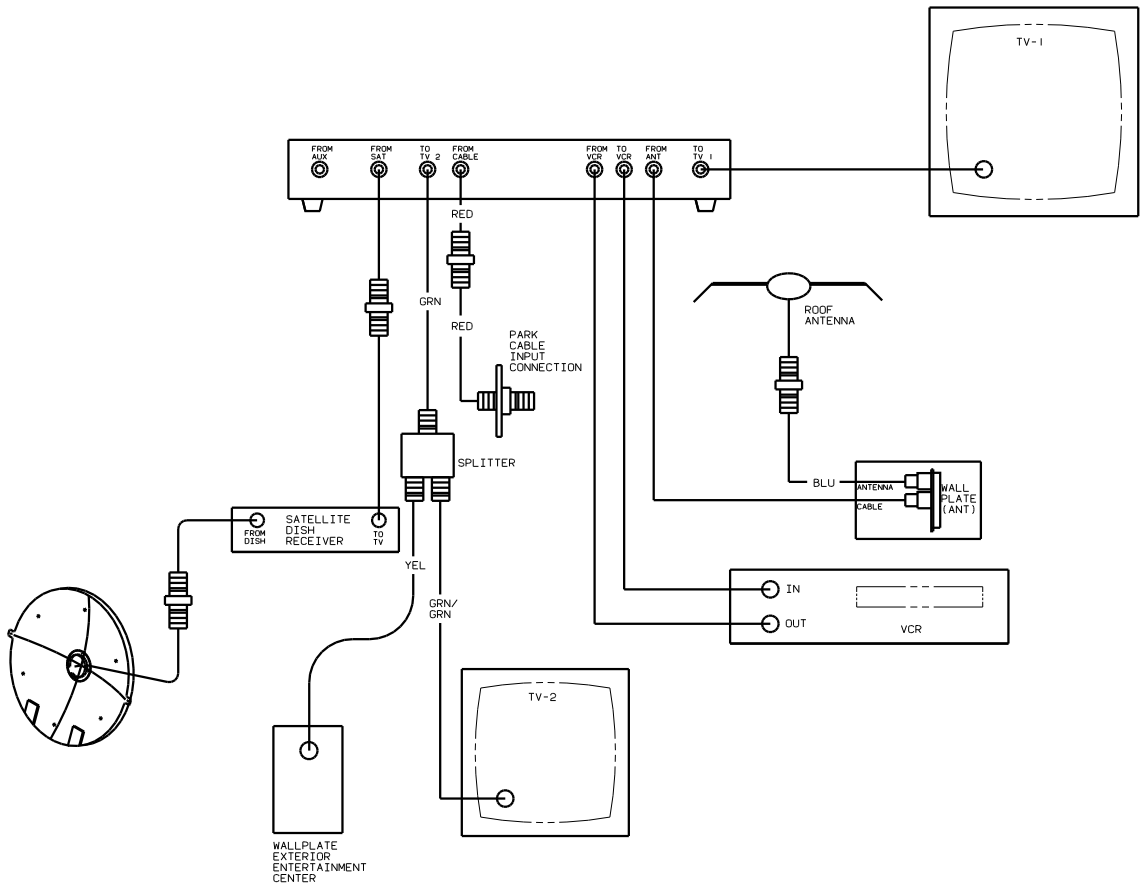
NOTES:
 1 SEE MANUFACTURER'S DIAGRAM FOR ADDITIONAL INFORMATION.

WIRING DIAGRAM ROOF
 (WIRE ASM 136011)

01 L34Y	
TITLE: WIRING DIAGRAM-BODY_12V	REV: 1.0
DATE: 11/11/04	DWG NO: 136004
SHEET: 3 OF 7	







1. SEE WIRING INSTL-TV/VCR FRONT FOR ADDITIONAL INFORMATION.

NOTES:

01 L34Y

TITLE		136004	
WIRING DIAGRAM-BODY, 12V (COAX)			
NO. OF SHEETS	TOTAL SHEETS	DATE	REV.
1	1		
SHEET 1 OF 1		136004	