



DANGER

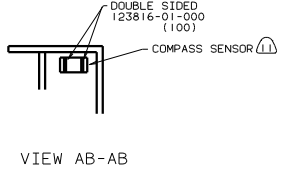
Danger of electrical shock, burns or death. Always remove all power sources before attempting any repair, service or diagnostic work. Power can be present from shore power, generator, inverter or battery. All power sources must be disabled and secured before performing any service.



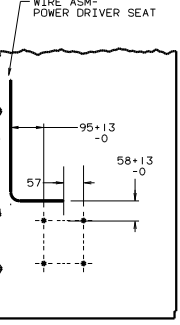
CAUTION

If you lack the skills, tools or equipment to perform diagnostic or repair work leave such work to an authorized Winnebago Industries dealer or other qualified shop.

DWG NO.	UNIT	SHEETS
135859-01	P WINNEBAGO	1-10
135859-02	P ITASCA	1-10



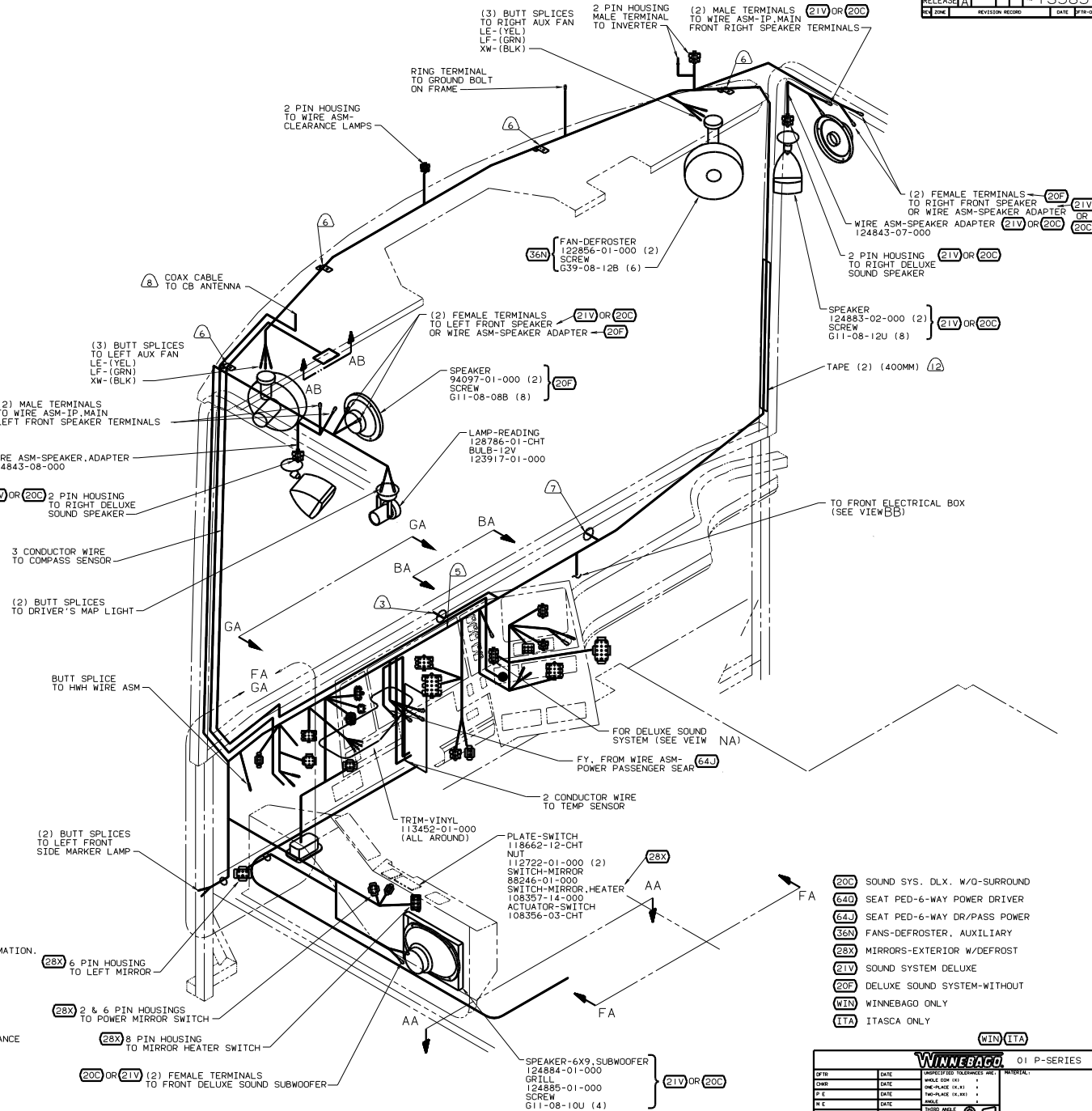
VIEW AB-AB



VIEW AA-AA (4) (64D)

- (12) USE TAPE 136748-01-000 TO SECURE WIRES IN A-POST.
 - (11) MOUNT SENSOR WITH DOUBLE SIDED TAPE IN BOTTOM OF FRONT OVHD SO THAT SENSOR FACES FORWARD AS STATED ON SENSOR LABEL.
 - (10) ROUTE WIRE ALONG CARPET TACK STRIP IN THIS AREA.
 9. REPLACE FLASHER WITH 7093-01 (2 EA).
 - (8) SEE ANTENNA INSTL-CB.
 - (7) ROUTE WASHER BOTTLE WIRE TOGETHER WITH HEATER CONTROL WIRES THROUGH HOLE IN STEEL ABOVE AND RIGHT OF ENGINE. USE GROMMET 23942-01-000. SEE SHT 14 & 15 FOR ADDITIONAL INFORMATION.
 - (6) USE TIE WIRE MOUNT 92901-01-000 AND TIE-WIRE 93147-01-000 TO SECURE WIRE ASM-IP.MAIN.
 - (5) USE TAPE 8363-01-000 TO SECURE WIRE ASM-IP.MAIN CHASSIS SUPPLIED WIRE ASM-IP.CRUISE WIRING AND HEATER A/C WIRES TOGETHER EVERY 300 IN THIS AREA AFTER ROUTING AND MAKING ALL CONNECTIONS.
 - (4) WIRE ASM MAY BE ROUTED ON EITHER SIDE OF HOLE PATTERN DISTANCE SHOWN AT END POINT OF PATH. LEAVE 675MM ± 50MM OF WIRE.
 - (3) ROUTE WIPER MOTOR WIRING THROUGH HOLE IN BULKHEAD ABOVE & LEFT OF ENGINE. USE GROMMET 88756-01-000. SEE SHT 14 & 15 FOR ADDITIONAL INFORMATION.
2. USE SEAL-TRIM 113452-01-000 TO PROTECT WIRES FROM SHARP EDGES.
 1. FOR ADDITIONAL INFORMATION SEE WIRING INSTL-CHASSIS.

NOTES:



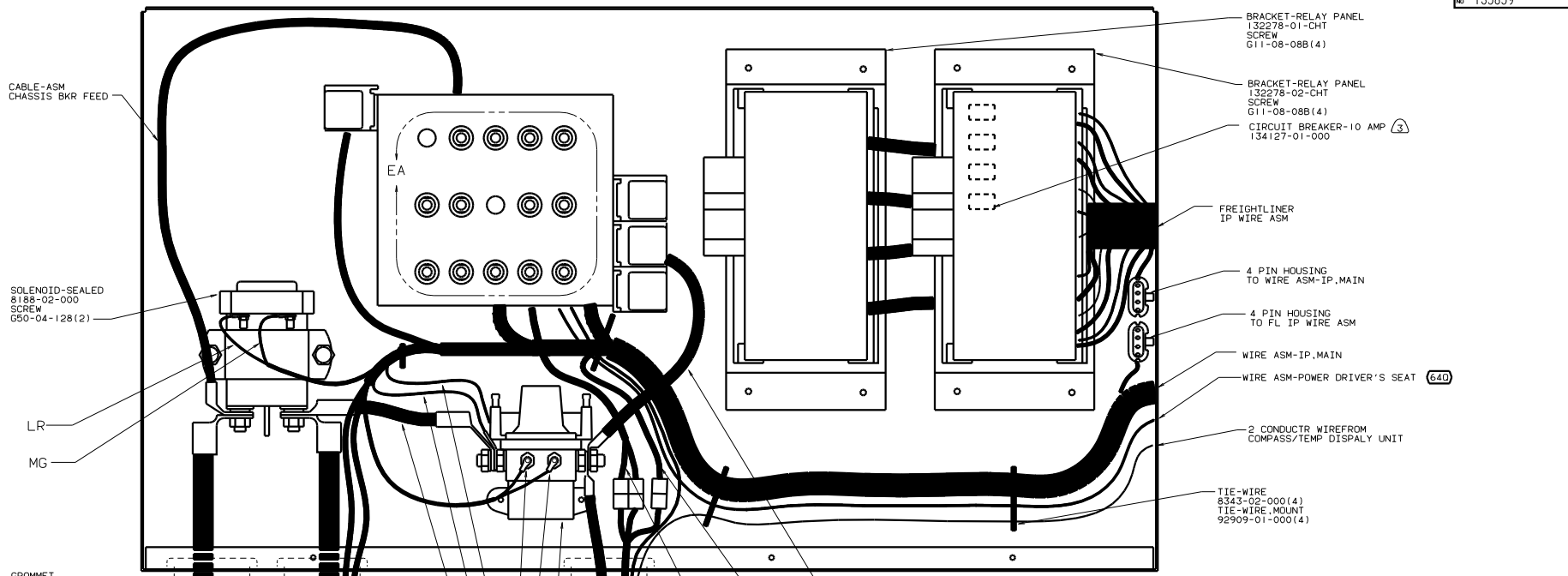
- (20C) SOUND SYS. DLX. W/O-SURROUND
- (64D) SEAT PED-6-WAY POWER DRIVER
- (64J) SEAT PED-6-WAY DR/PASS POWER
- (36N) FANS-DEFROSTER, AUXILIARY
- (28X) MIRRORS-EXTERIOR W/DEFROST
- (21V) SOUND SYSTEM DELUXE
- (20F) DELUXE SOUND SYSTEM-WITHOUT
- (WIN) WINNEBAGO ONLY
- (ITA) ITASCA ONLY

WINNEBAGO 01 P-SERIES			
DATE	UNAPPROVED REVISIONS ARE:	MATERIAL:	
DATE	WHILE ON JOB	DATE	
DATE	ONE-PLACE (R, AI)	DATE	
DATE	TWO-PLACE (R, AI)	DATE	
DATE		DATE	
DATE		DATE	
DATE		DATE	
DATE		DATE	
DATE		DATE	
DATE		DATE	

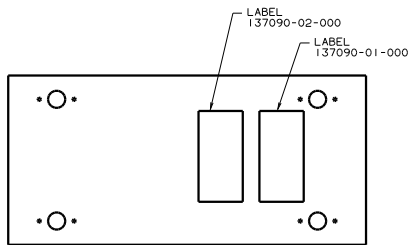
TITLE: WIRING INSTL-FRONT END

REF: 132541-T 1

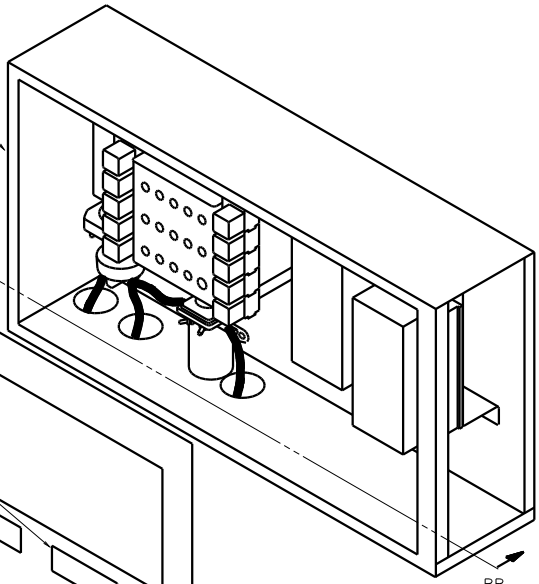
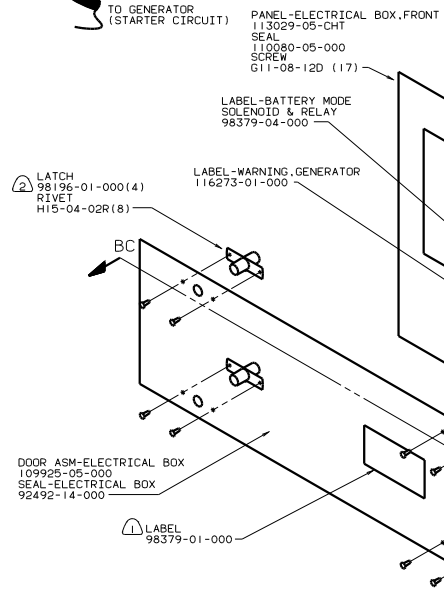
135859



VIEW BB-BB

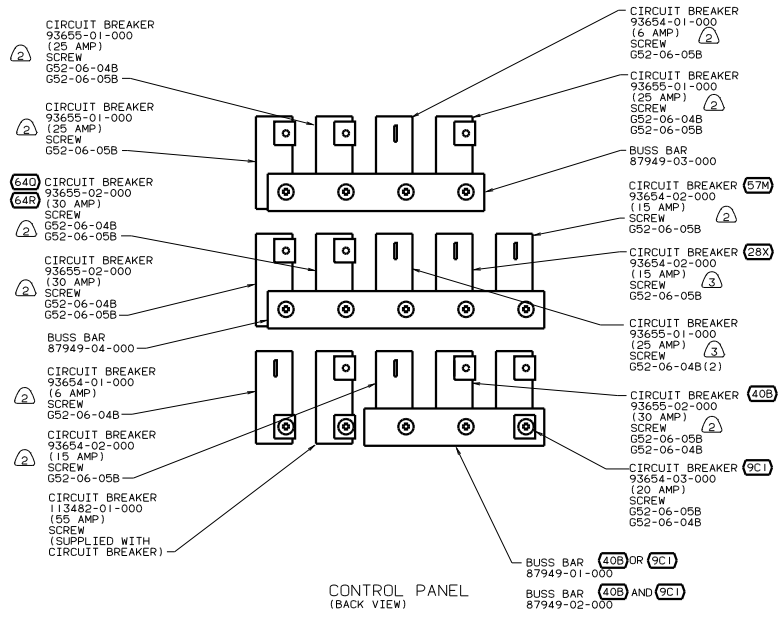


VIEW BC-BC

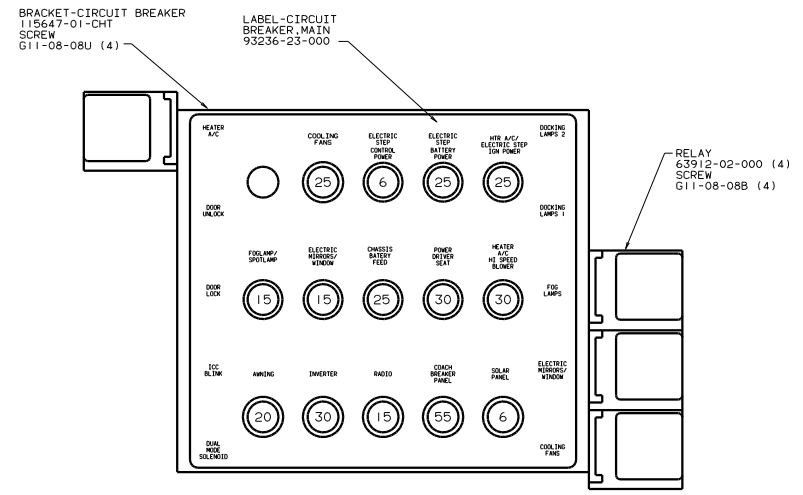


- NOTES:
- ① COIL WIRE ASM UP OUTSIDE ELECTRICAL BOX. TO BE ROUTED WITH WIRE ASM-CHASSIS.
 - ② REMOVE 10 AMP FUSE AND REPLACE WITH NOTED BREAKER.
 - ③ MOUNT LATCHES WITH TABS TOWARD CENTER OF DOOR.
 - ④ TRIM LABEL AS NECESSARY.

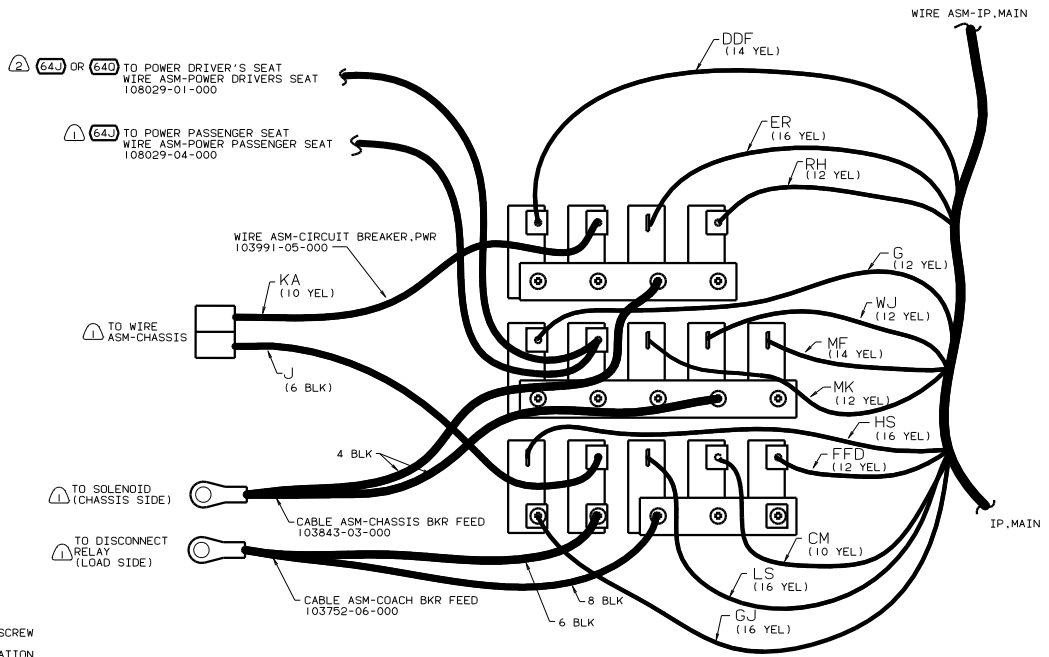
- (640) SEAT PED-6-WAY DR/PASS POWER
- (640) SEAT PED-6-WAY POWER DRIVER



CONTROL PANEL (BACK VIEW)



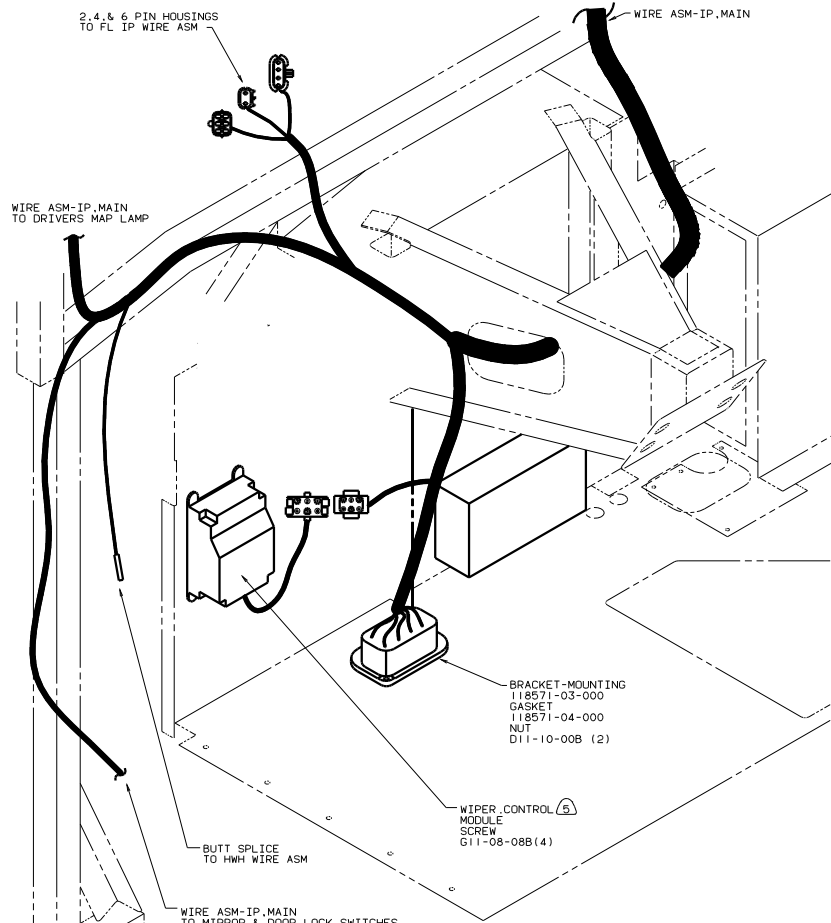
DETAIL CA



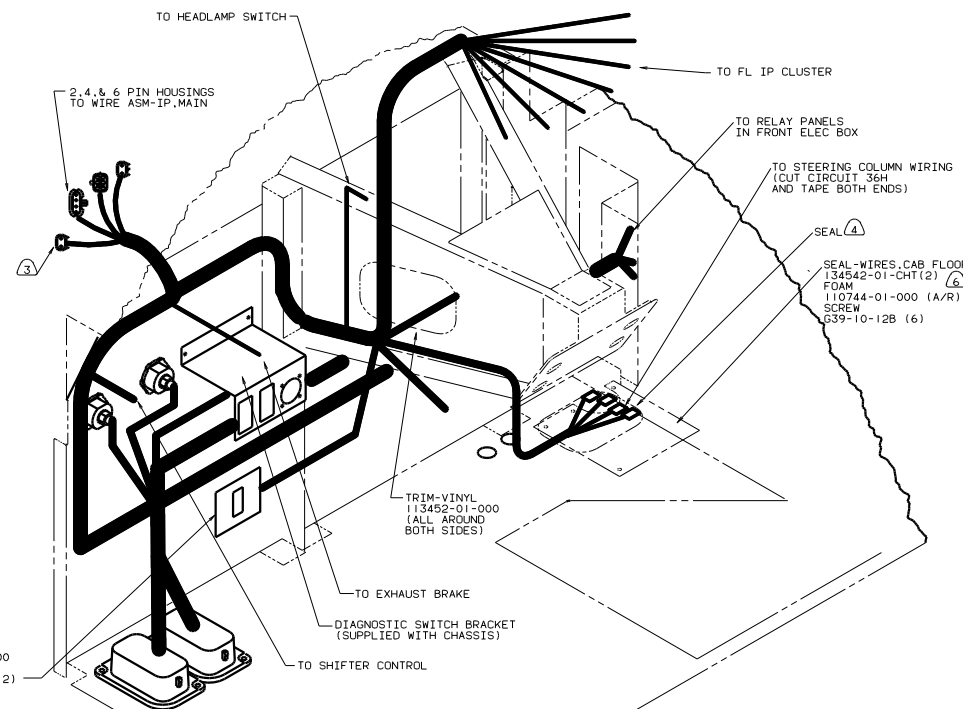
CONTROL PANEL WIRING (BACK VIEW)

- NOTES:**
- ③ ADD LOCKWASHER OME02B-04-071 1 PER SCREW
 - ② SEE SHTS 1 AND 2 FOR ROUTING INFORMATION
 - ① SEE SHT 2 FOR ROUTING INFORMATION

- 9C1 AWNING-ELECTRIC PACKAGE
- 64J SEAT PED-6-WAY DR/PASS POWER
- 64D SEAT PED-6-WAY POWER DRIVER
- 67M LAMPS-FOG
- 40B INVERTER-DC/AC, 300 WATT
- 28X MIRRORS-EXTERIOR W/DEFROST



VIEW DA
(WINNEBAGO WIRING SHOWN)



VIEW DA
(FREIGHTLINER WIRING SHOWN)

- ⑥ PUT 1 SEAL IN FRONT OF HOLE AT CAB PREP.
- ⑤ SEE WIPER CONTROL INFORMATION FOR INSTALLATION INSTRUCTION
- ④ ROUTE PARK BRAKE VALVE AND AIR LINES FOR DASH GAUGES THRU HERE. COVER WITH CONVOLUTE TUBING 41953 WHERE VISIBLE.
- ③ DO NOT USE SEAT BELT 2 PIN HOUSING
- ② FL IP WIRE ASM SHOULD BE TIED PRIOR TO INSTALLATION. SEE DETAIL HA FOR TYING INSTRUCTIONS.

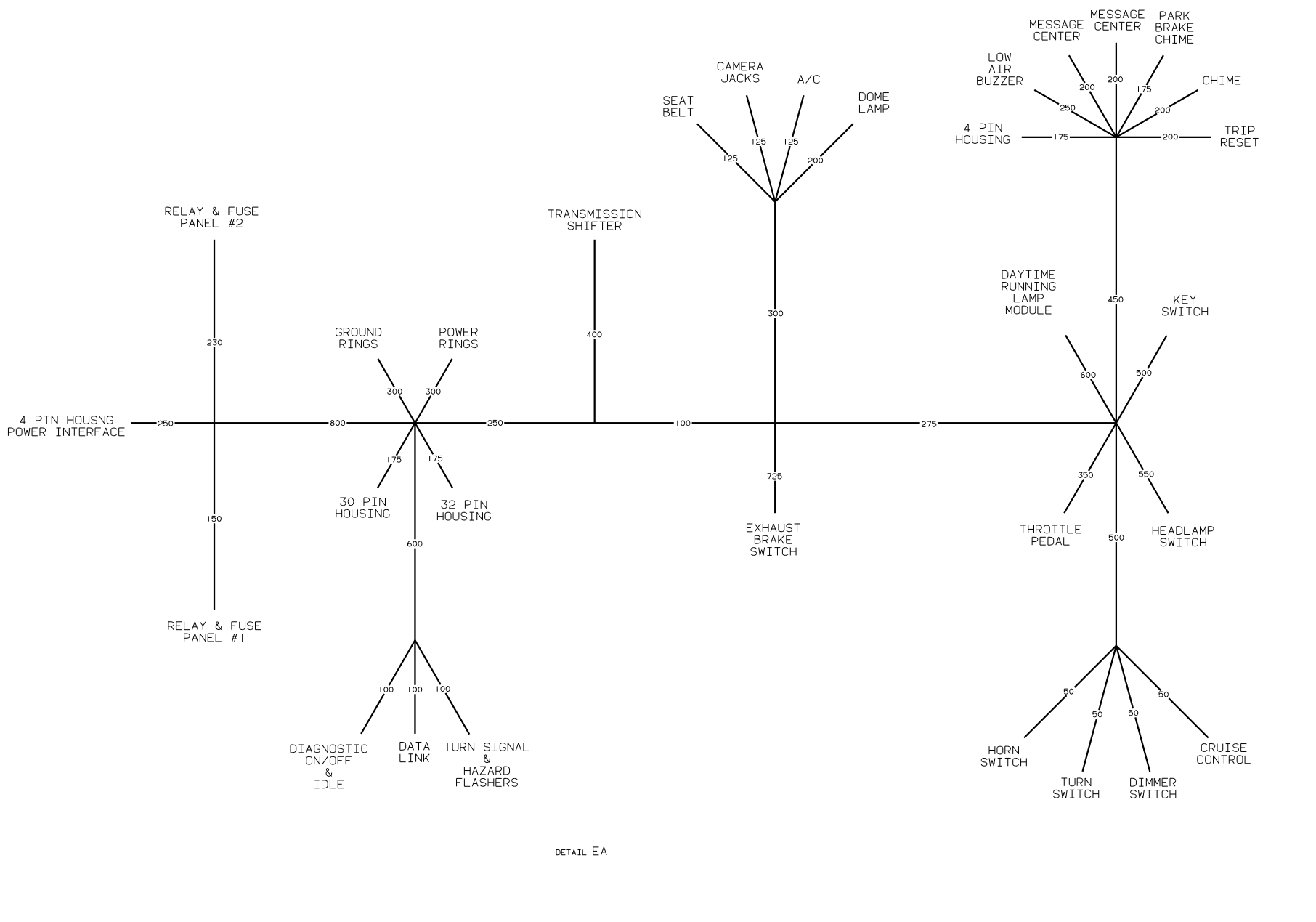
1. BUNDLE AND SECURE ALL EXCESS WIRE.

NOTES:

②⑥⑤ CODES/STANDARDS-CSA/CMVSS

01 P-SERIES

TITLE		DRAWING NO	
WIRING INSTL-FRONT END		135859	
NO. OF SHEETS	TOTAL SHEETS	SHEET NO	OF
1	1	4	10



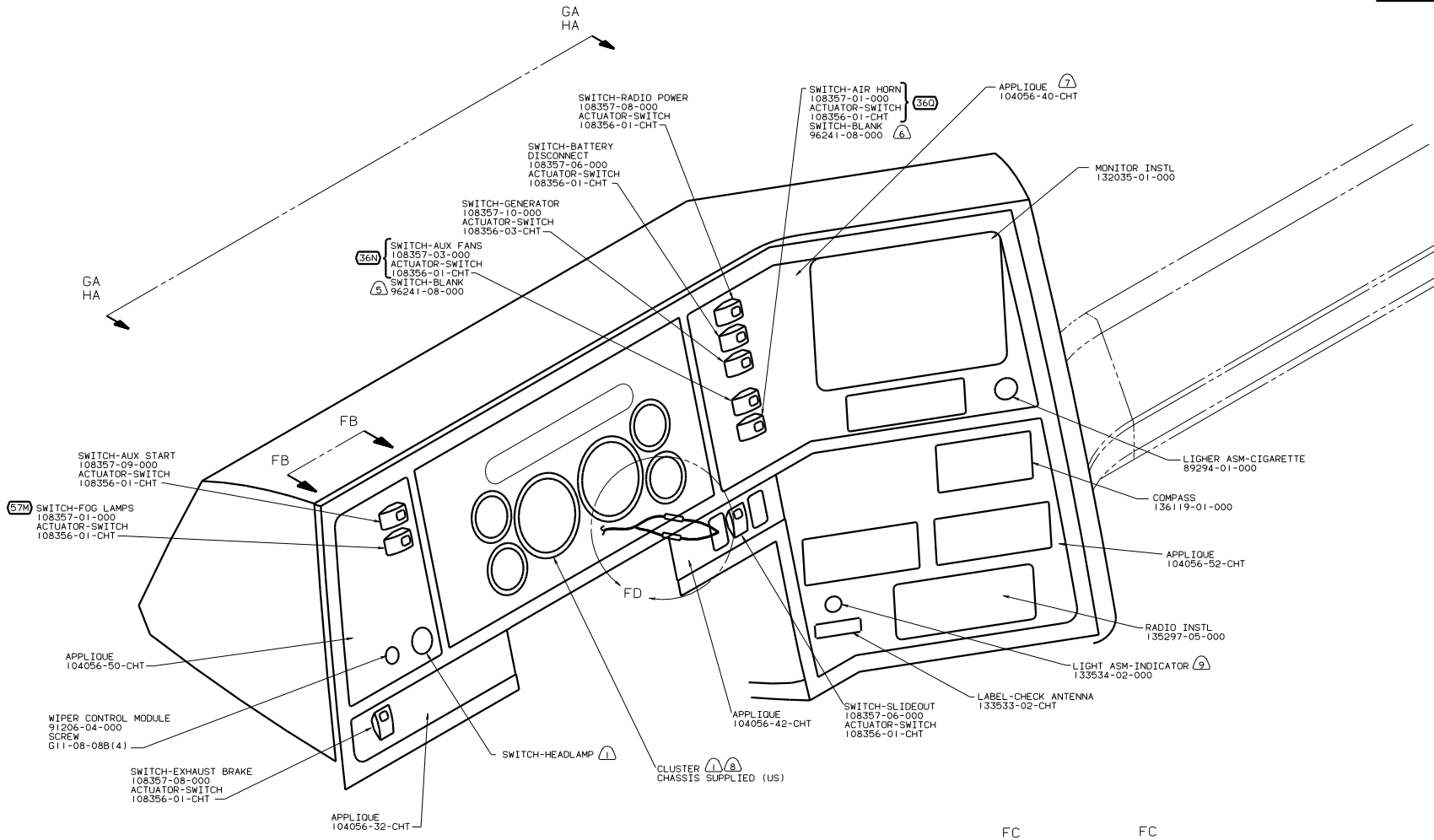
DETAIL EA

1. USE WIRE TIES TO FORM FREIGHTLINER IP WIRE INTO THIS CONFIGURATION.

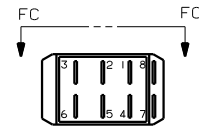
NOTES:

01 P-SERIES

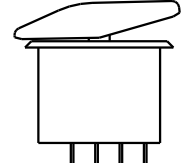
TITLE: WIRING INSTL-FRONT END	
30 PIN HOUSNG WIRING	FIG. NO. 1E
SHEET 5 OF 10	135859



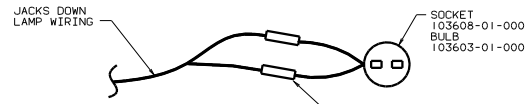
VIEW FA-FA



VIEW FB-FB (SWITCH MOUNTING ORIENTATION)



VIEW FC-FC (SWITCH ACTUATOR ORIENTATION)

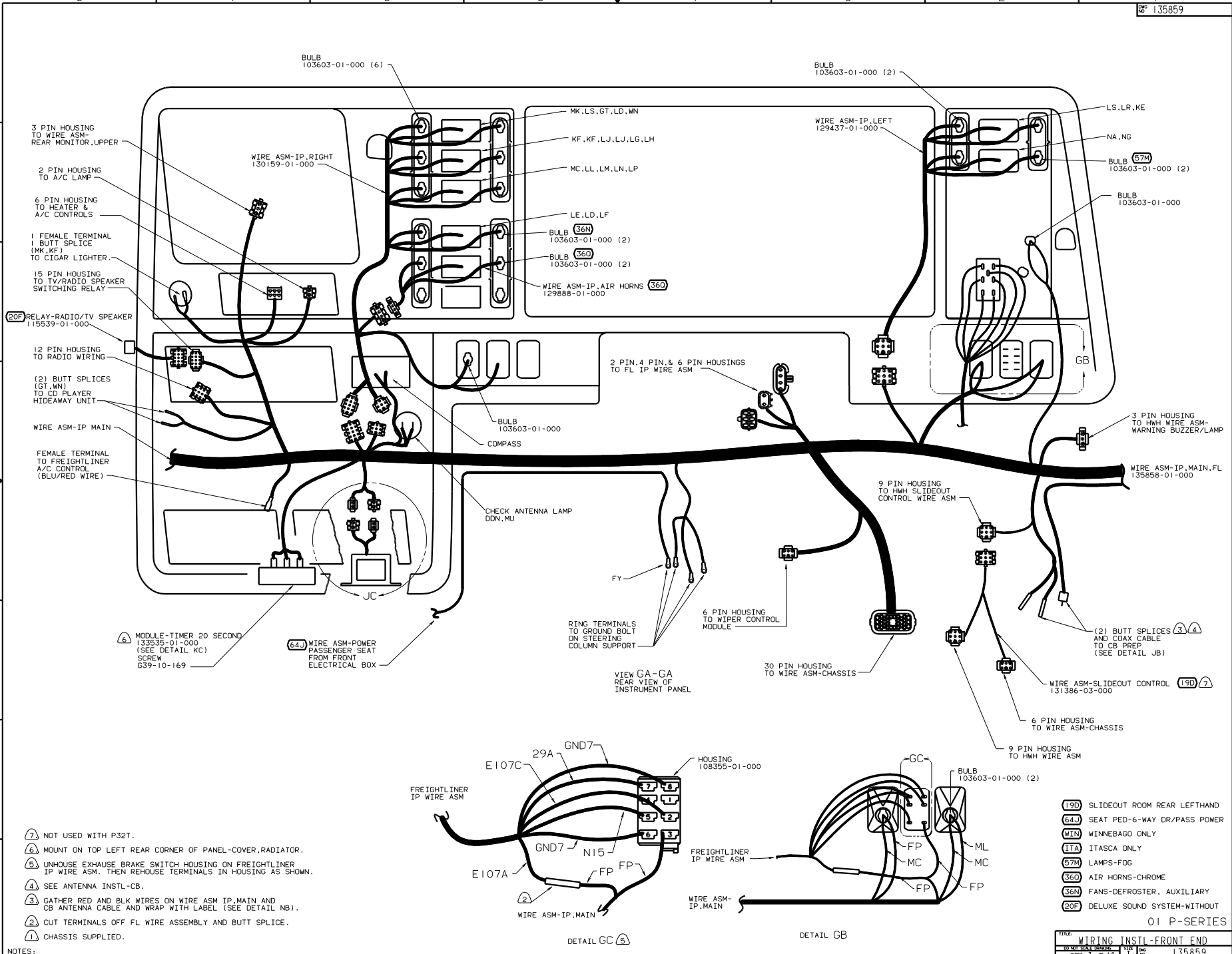


DETAIL FD

- ⑨ DRILL 19.0 DIAMETER HOLE AT LOWER DIMPLE LOCATION.
- ⑧ SEE DETAIL MA FOR INSTRUMENT CLUSTER ASSEMBLY INSTRUCTIONS.
- ⑦ COVER CLEAR LEGEND ON BEZEL WITH FILM 77031-01-000 (BLANK) OR 77031-03-000 (W/OPTION).
- ⑥ WITHOUT (36D).
- ⑤ WITHOUT (36N).
- ④ SWITCHES SHOWN WITHOUT WIRE ASM-HOUSING CONNECTED.
- ③ SAME FOR ALL DASH SWITCHES EXCEPT FOG LAMPS, DOCKING LAMPS AND GENERATOR SWITCHES.
- ② SAME FOR ALL SWITCHES.
- ① CHASSIS SUPPLIED.

- (57M) LAMPS-FOG
- (36D) AIR HORNS-CHROME
- (36N) FANS-DEFROSTER, AUXILIARY
- (WIN) WINNEBAGO ONLY
- (ITA) ITASCA ONLY

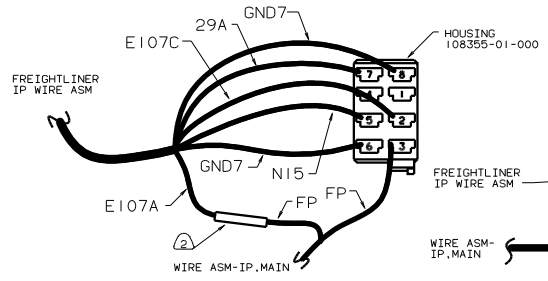
01 P-SERIES



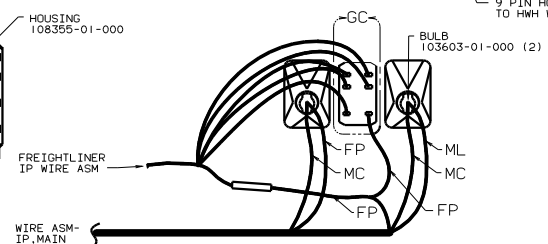
- NOTES:
- ① NOT USED WITH P32T.
 - ② MOUNT ON TOP LEFT REAR CORNER OF PANEL-COVER, RADIATOR.
 - ③ UNHOUSE EXHAUSE BRAKE SWITCH HOUSING ON FREIGHTLINER IP WIRE ASM. THEN REHOUSE TERMINALS IN HOUSING AS SHOWN.
 - ④ SEE ANTENNA INSTL-CB.
 - ⑤ GATHER RED AND BLK WIRES ON WIRE ASM IP, MAIN AND CB ANTENNA CABLE AND WRAP WITH LABEL (SEE DETAIL NB).
 - ⑥ CUT TERMINALS OFF FL WIRE ASSEMBLY AND BUTT SPLICE.
 - ⑦ CHASSIS SUPPLIED.

- ①9D SLIDEOUT ROOM REAR LEFTHAND
- ⑥4U SEAT PED-6-WAY DR/PASS POWER
- ④1N WINNEBAGO ONLY
- ①TA ITASCA ONLY
- ⑤7M LAMPS-FOG
- ③6D AIR HORNS-CHROME
- ③6N FANS-DEFROSTER, AUXILIARY
- ②0F DELUXE SOUND SYSTEM-WITHOUT

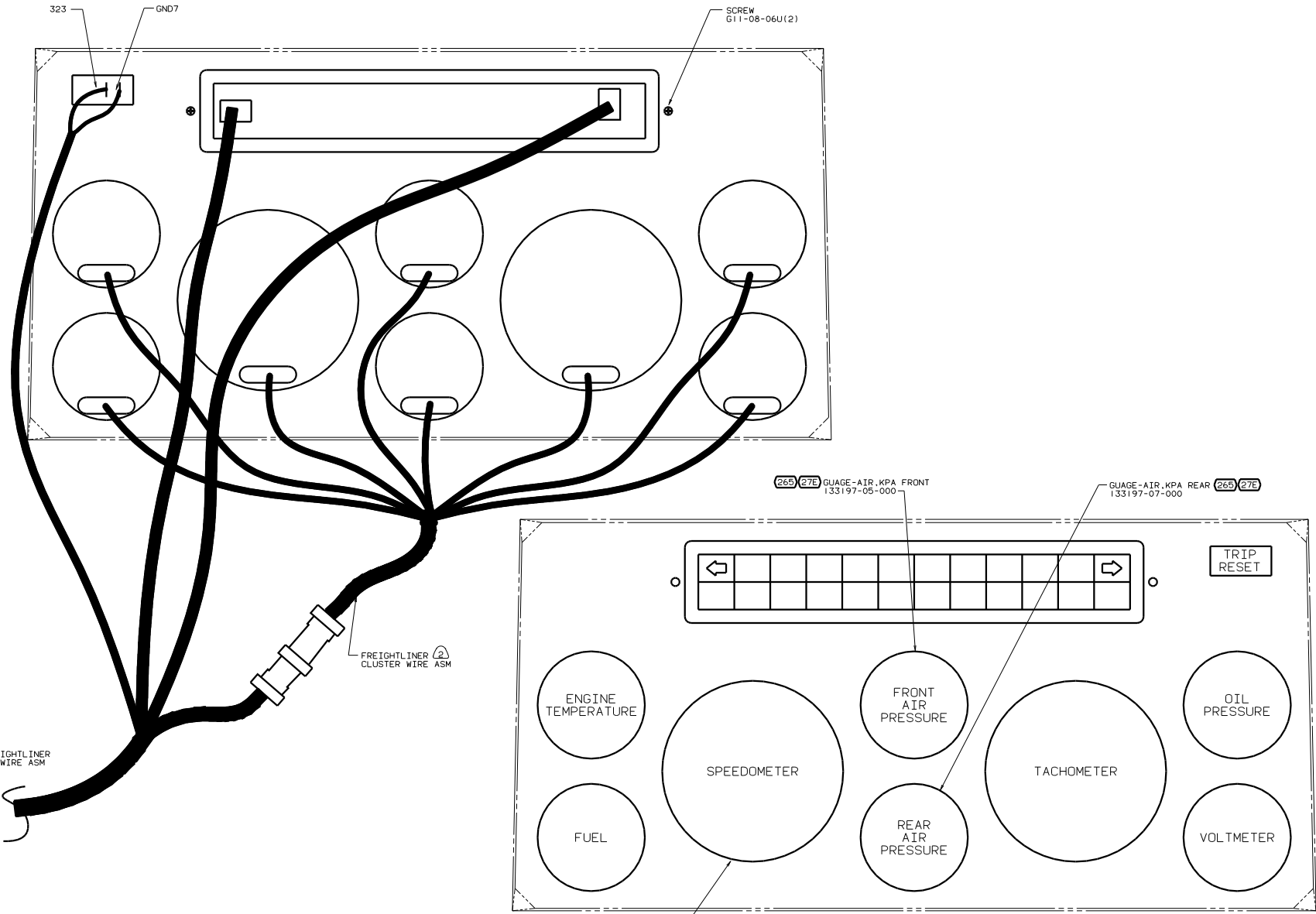
01 P-SERIES



DETAIL GC ⑤



DETAIL GB



FREIGHTLINER IP WIRE ASM

FREIGHTLINER CLUSTER WIRE ASM

SCREW G11-08-06U(2)

265 27E GUAGE-AIR, KPA FRONT 133197-05-000

GUAGE-AIR, KPA REAR 133197-07-000 265 27E

265 27E SPEEDOMETER-KM 133196-03-000

DETAIL HA

Ⓜ ANY PLUG ON CLUSTER WIRE ASM WILL FIT ANY GAUGE

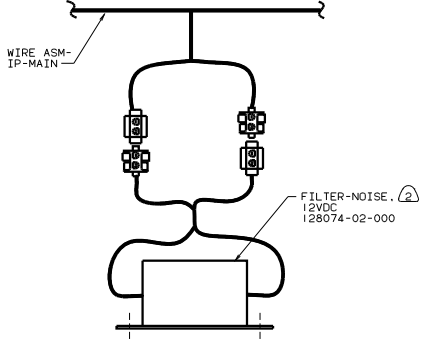
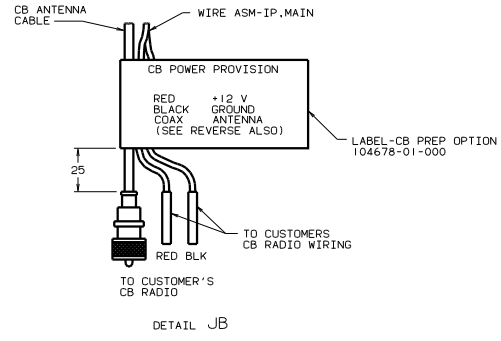
1. ALL GAUGES, RETAINER CLIPS AND FASTENERS ARE CHASSIS SUPPLIED UNLESS NOTED.

27E CODES/STANDARDS-CMVSS
265 CODES/STANDARDS-CSA/CMVSS

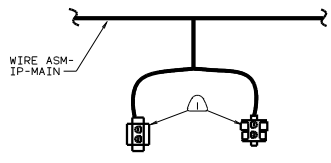
01 P-SERIES

TITLE: WIRING INSTL-FRONT END	
NO. OF SHEETS: 8	SHEET NO. 8 OF 10
DATE: 1.6	REV. NO. 135859

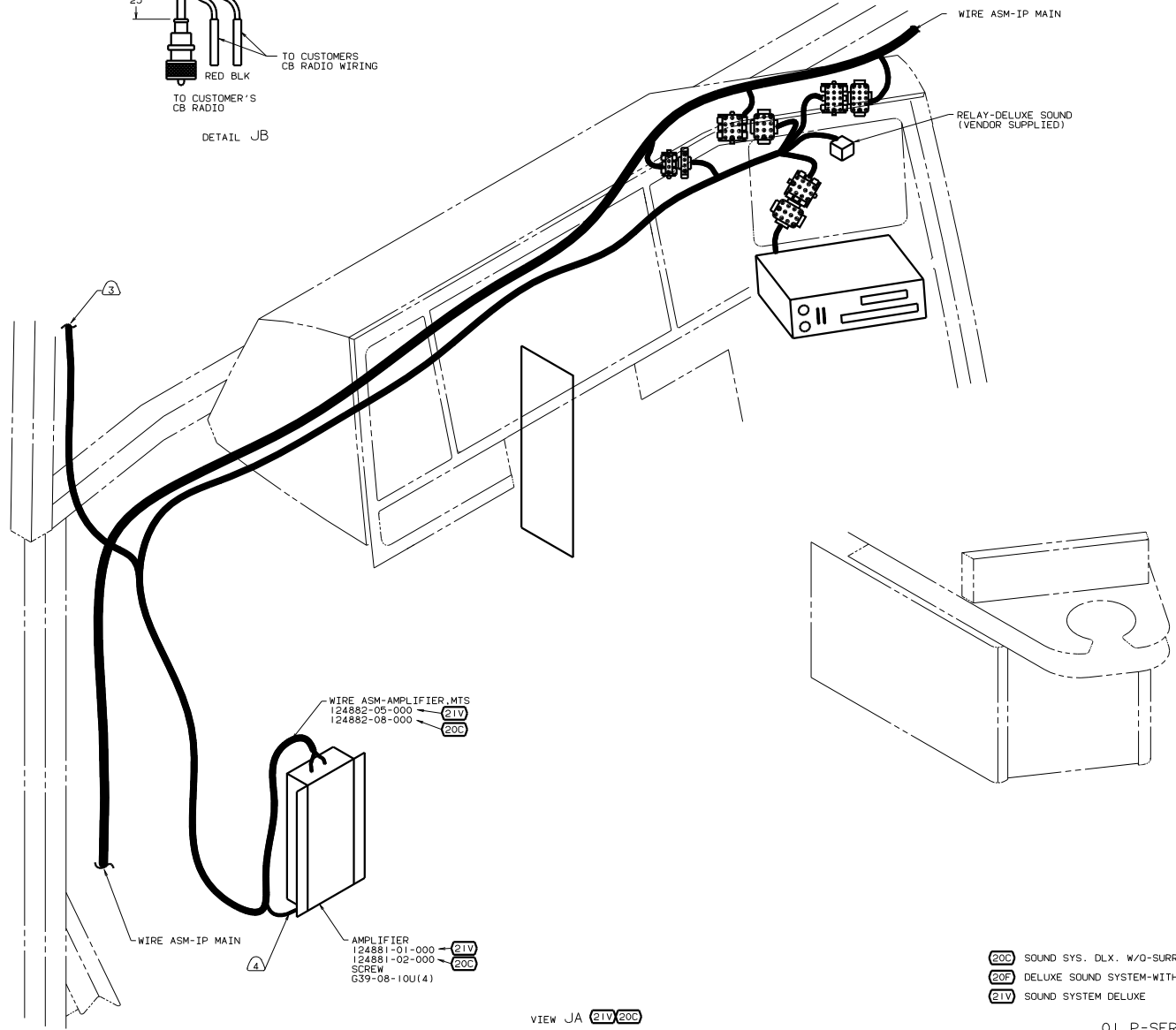
NOTES:



VIEW JC-JC (21V OR 20C)



VIEW JC-JC (20F)

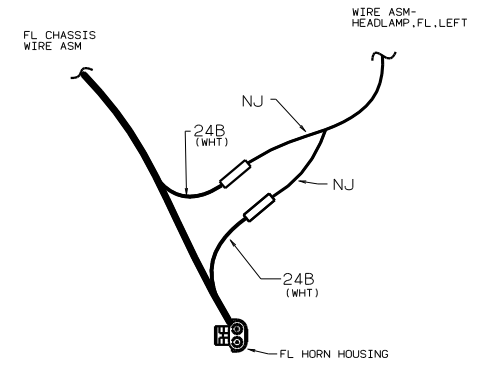
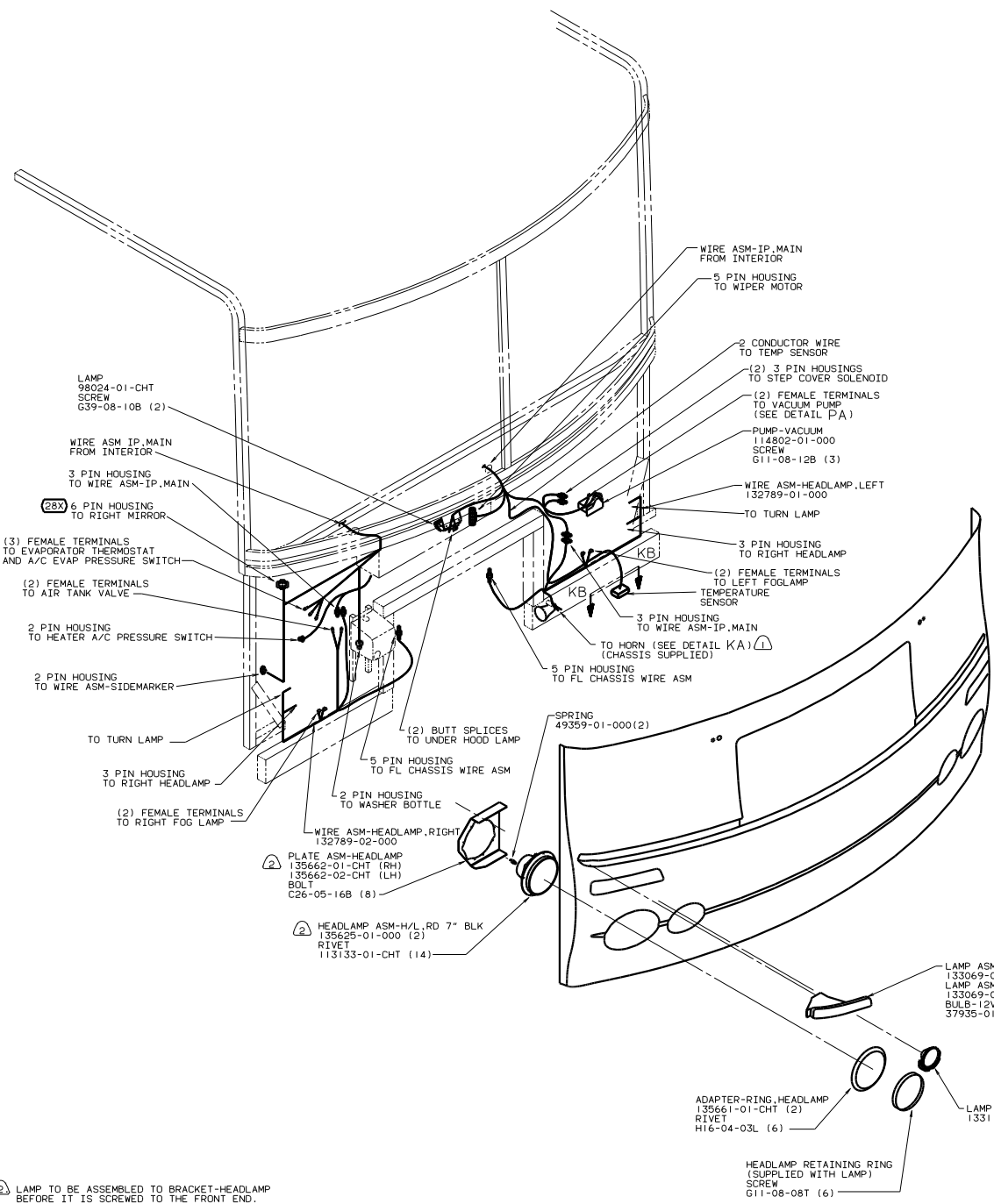


VIEW JA (21V 20B)

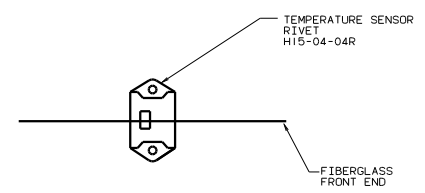
- NOTES:
- (1) PLUG RCA CABLES INTO PORTS MARKED STEREO TV INPUT.
 - (2) RUN DELUXE SOUND RCA CABLES AND 2 PIN HOUSING UP THE LEFT A-PILLAR TO TV AND CENTER CHANNEL SPEAKER.
 - (3) MOUNT ON TOP LEFT REAR CORNER OF PANEL-COVER,RADIATOR.
 - (4) CONNECT HOUSINGS TOGETHER.

- (20C) SOUND SYS. DLX. W/O-SURROUND
- (20F) DELUXE SOUND SYSTEM-WITHOUT
- (21V) SOUND SYSTEM DELUXE

TITLE		O1 P-SERIES	
WIRING INSTL-FRONT END			
NO. OF SHEETS	TOTAL SHEETS	FIG. NO.	DWG. NO.
9	10	16	135859



DETAIL KA



VIEW KB-KB

- NOTES:
- ② LAMP TO BE ASSEMBLED TO BRACKET-HEADLAMP BEFORE IT IS SCREWED TO THE FRONT END.
 - ⚠ MOUNT ON GROUND BOLT.

(28X) MIRRORS-EXTERIOR W/DEFROST

01 P-SERIES

TITLE		135859	
WIRING INSTL-FRONT END			
NO. OF SHEETS	TOTAL SHEETS	DATE	REV.
10	10	11/80	1
SHEET 10 OF 10		135859	