



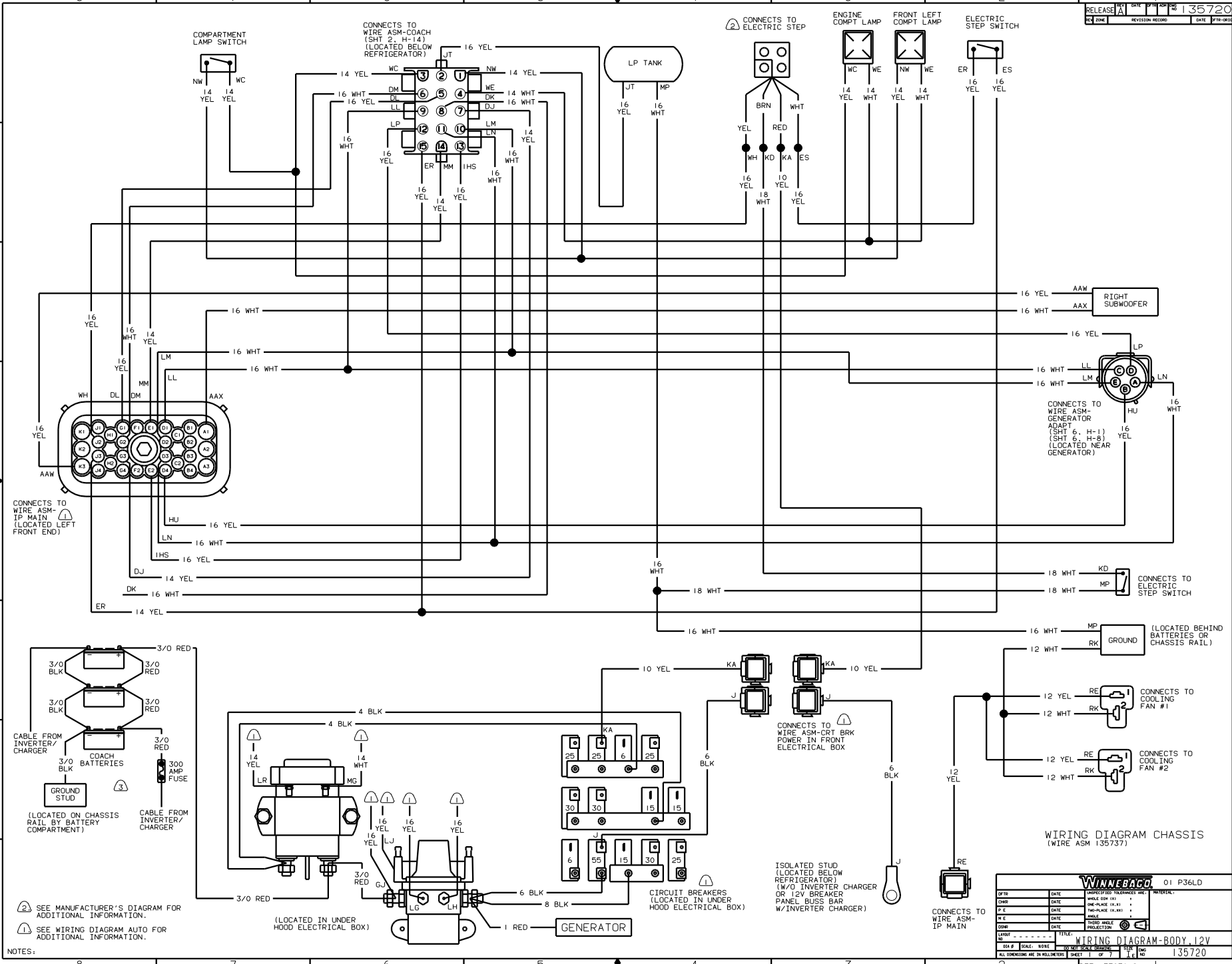
**DANGER**

**Danger of electrical shock, burns or death.** Always remove all power sources before attempting any repair, service or diagnostic work. Power can be present from shore power, generator, inverter or battery. All power sources must be disabled and secured before performing any service.



**CAUTION**

If you lack the skills, tools or equipment to perform diagnostic or repair work leave such work to an authorized Winnebago Industries dealer or other qualified shop.



2 SEE MANUFACTURER'S DIAGRAM FOR ADDITIONAL INFORMATION.  
 3 SEE WIRING DIAGRAM AUTO FOR ADDITIONAL INFORMATION.

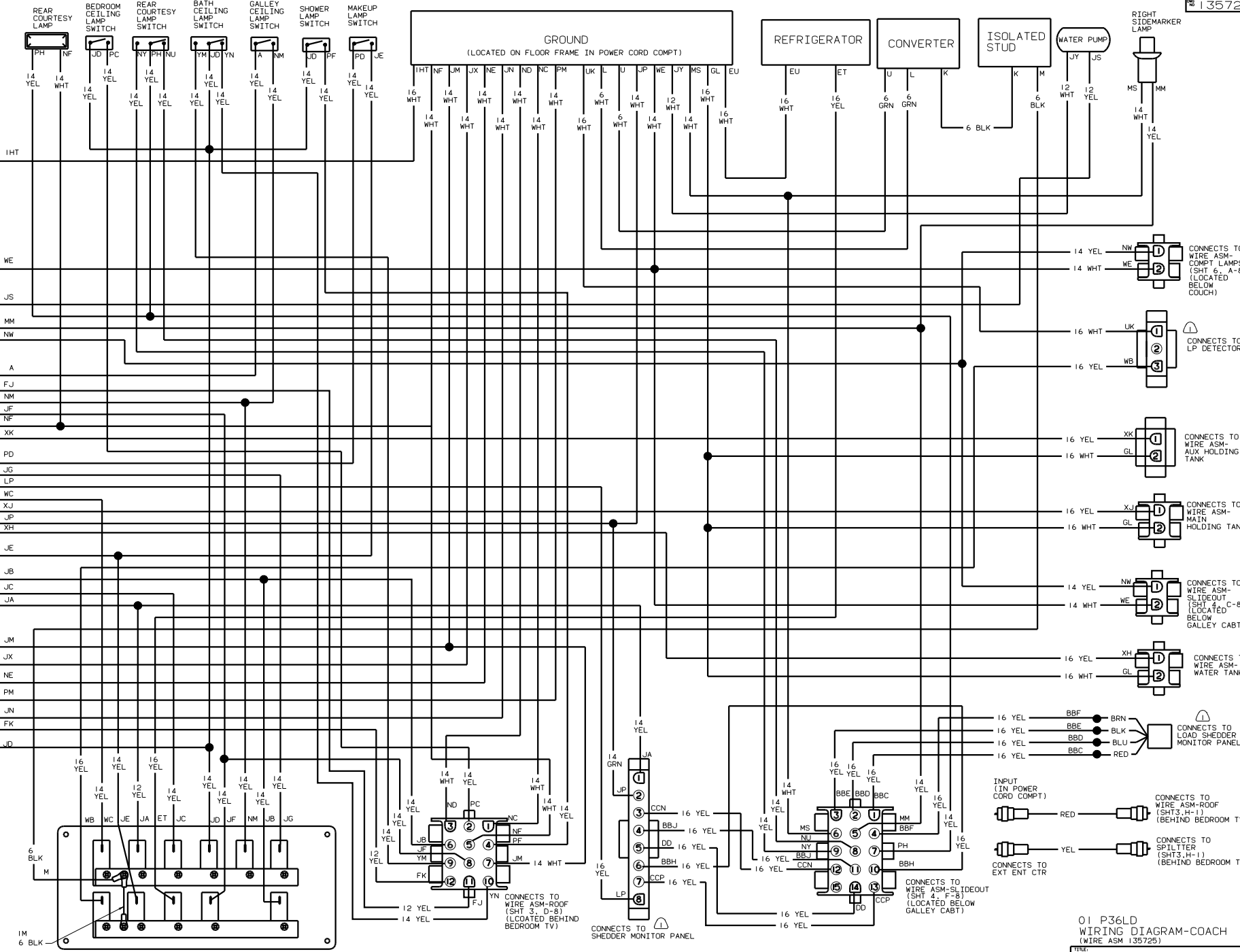
WIRING DIAGRAM CHASSIS (WIRE ASM 135737)

**WINNEBAGO** 01 P36LD

OP TR	DATE	UNDESIGNED TOLERANCES ARE	MATERIAL
CHG	DATE	MAXIMUM	
DWG	DATE	ONE-PHASE (1.5:1)	
P/E	DATE	THREE-PHASE (1:1)	
DATE	DATE	ANGLE	
CONP	DATE	INDIC. W/ANGLE	
INDIC. PRODUCED			
LAYOUT			
TITLE			

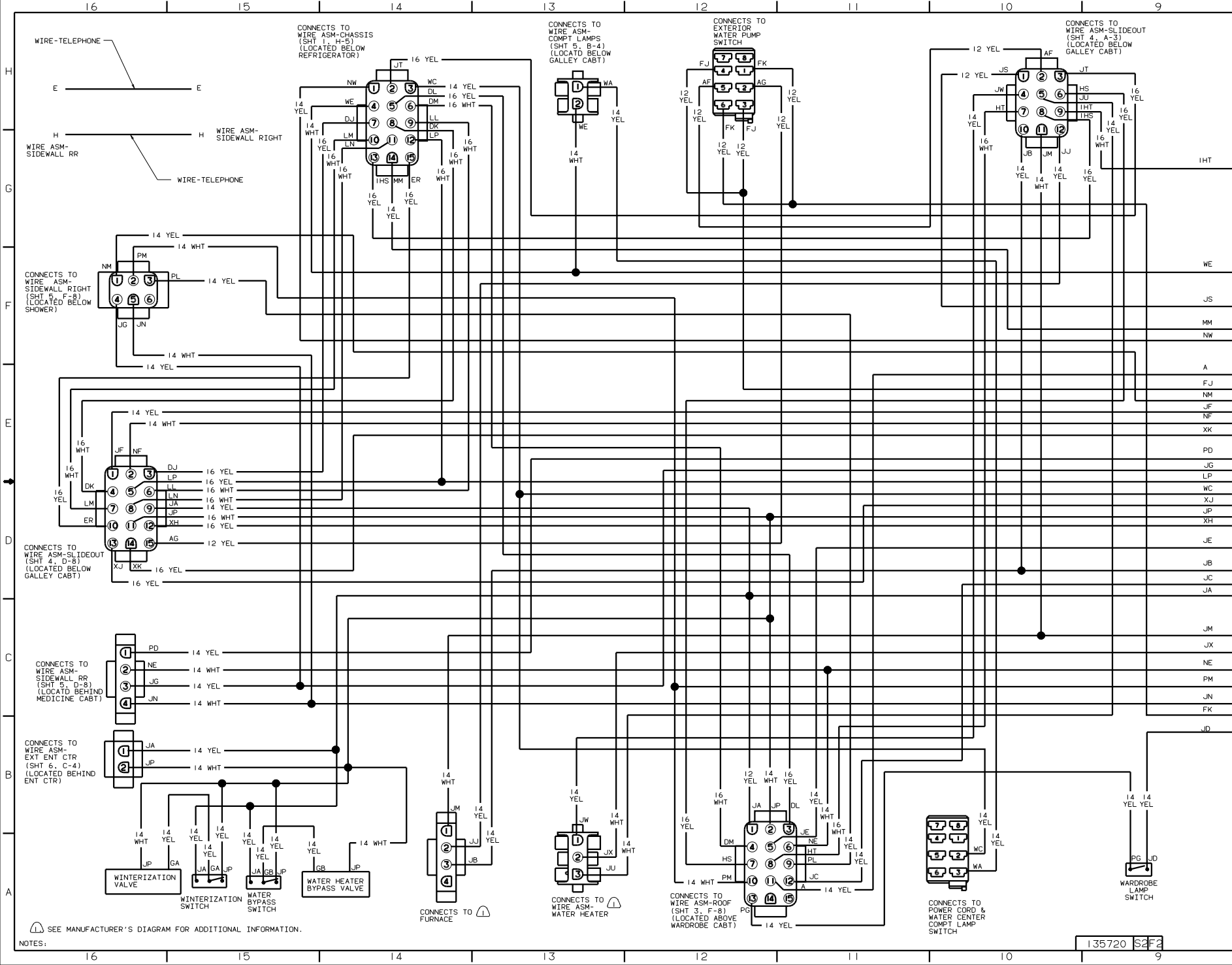
**WIRING DIAGRAM-BODY, 12V**

SHEET 1 OF 7 135720

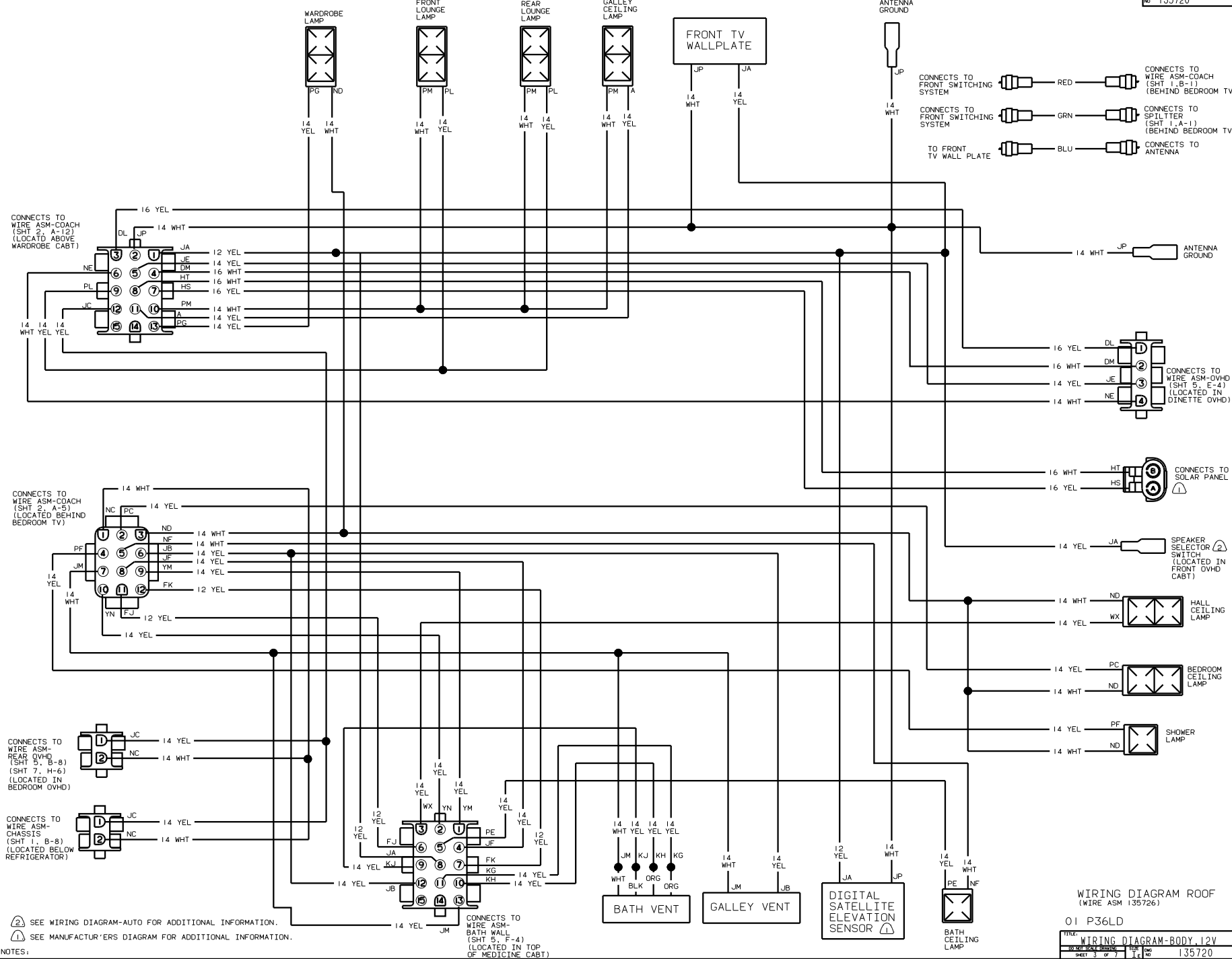


01 P36LD  
 WIRING DIAGRAM-COACH  
 (WIRE ASM 135725)

WIRING DIAGRAM-BODY 12V  
 SHEET 2 OF 7



SEE MANUFACTURER'S DIAGRAM FOR ADDITIONAL INFORMATION.



CONNECTS TO WIRE ASM-COACH (SHT 2, A-12) (LOCATED ABOVE WARDROBE CABT)

CONNECTS TO WIRE ASM-COACH (SHT 2, A-5) (LOCATED BEHIND BEDROOM TV)

CONNECTS TO WIRE ASM-REAR OVHD (SHT 5, B-8) (SHT 7, H-6) (LOCATED IN BEDROOM OVHD)

CONNECTS TO WIRE ASM-CHASSIS (SHT 1, B-8) (LOCATED BELOW REFRIGERATOR)

CONNECTS TO WIRE ASM-BATH WALL (SHT 5, F-4) (LOCATED IN TOP OF MEDICINE CABT)

CONNECTS TO FRONT SWITCHING SYSTEM (RED)

CONNECTS TO FRONT SWITCHING SYSTEM (GRN)

TO FRONT TV WALL PLATE (BLU)

CONNECTS TO WIRE ASM-COACH (SHT 1, B-1) (BEHIND BEDROOM TV)

CONNECTS TO SPLITTER (SHT 1, A-1) (BEHIND BEDROOM TV)

CONNECTS TO ANTENNA

CONNECTS TO WIRE ASM-OVHD (SHT 5, E-4) (LOCATED IN DINETTE OVHD)

CONNECTS TO SOLAR PANEL

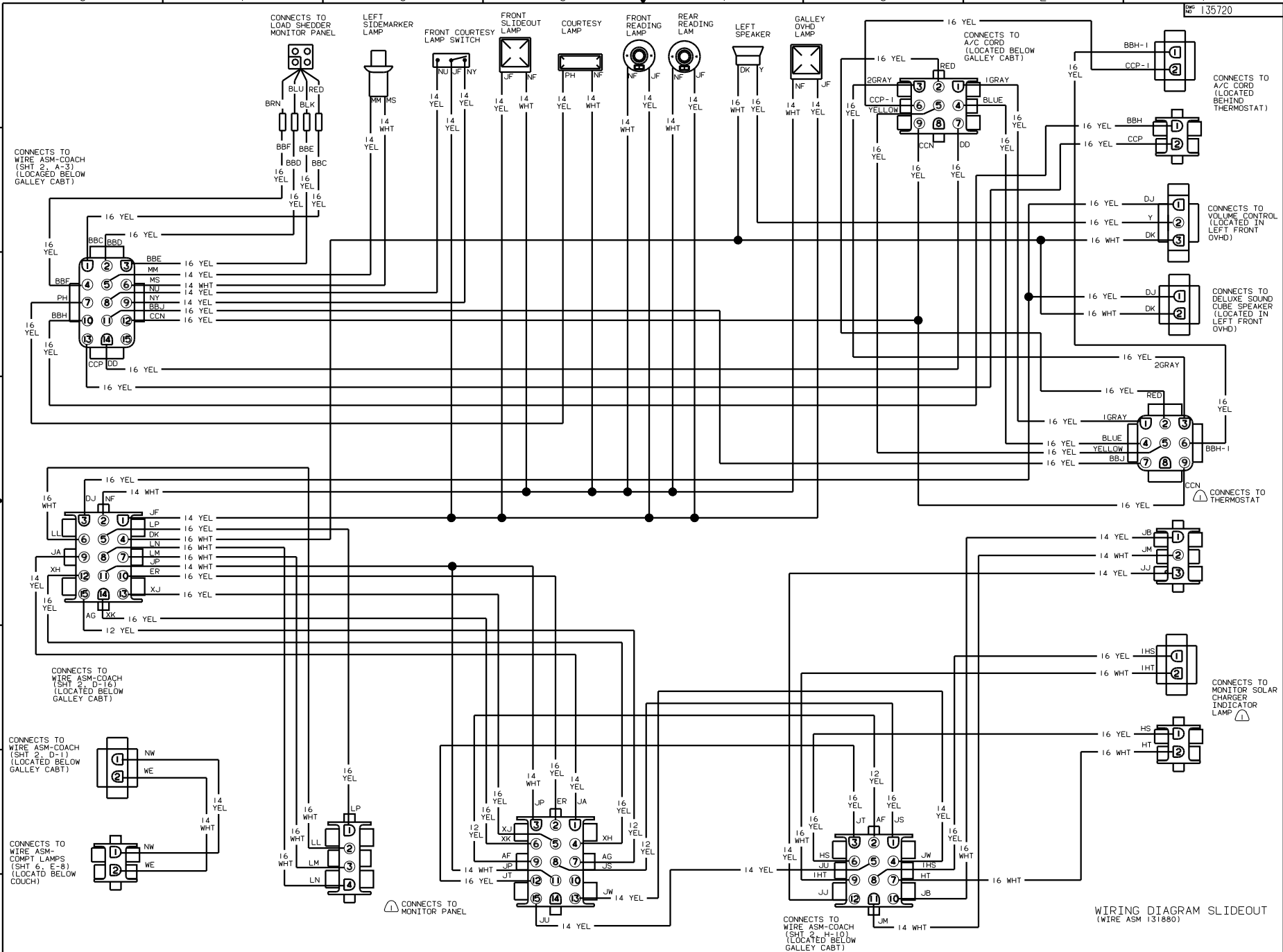
SPEAKER SELECTOR SWITCH (LOCATED IN FRONT OVHD CABT)

WIRING DIAGRAM ROOF (WIRE ASM 135726)

O1 P36LD

FILE NO.	WIRING DIAGRAM-BODY_12V
NO. OF SHEETS	3 OF 7
REV.	1
DATE	135720

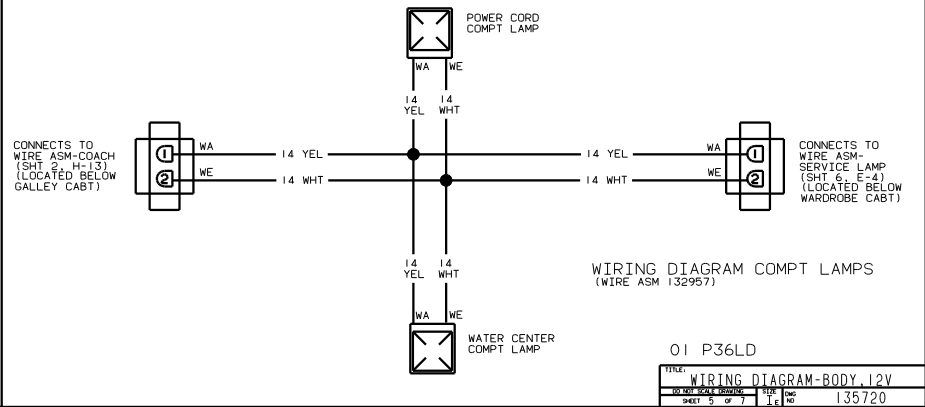
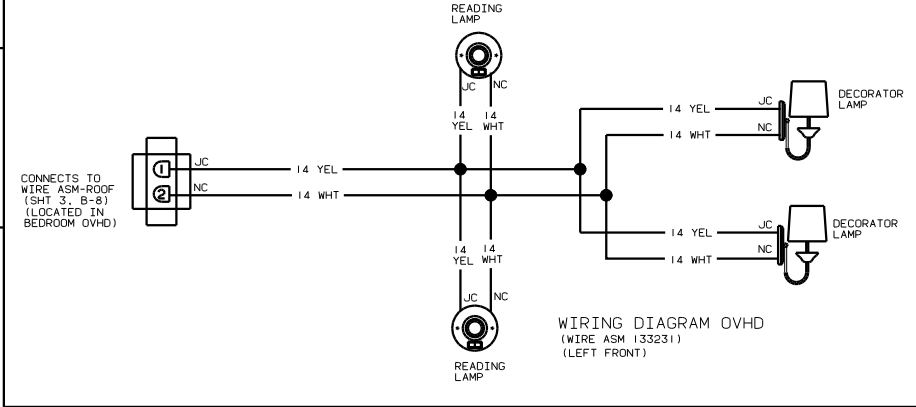
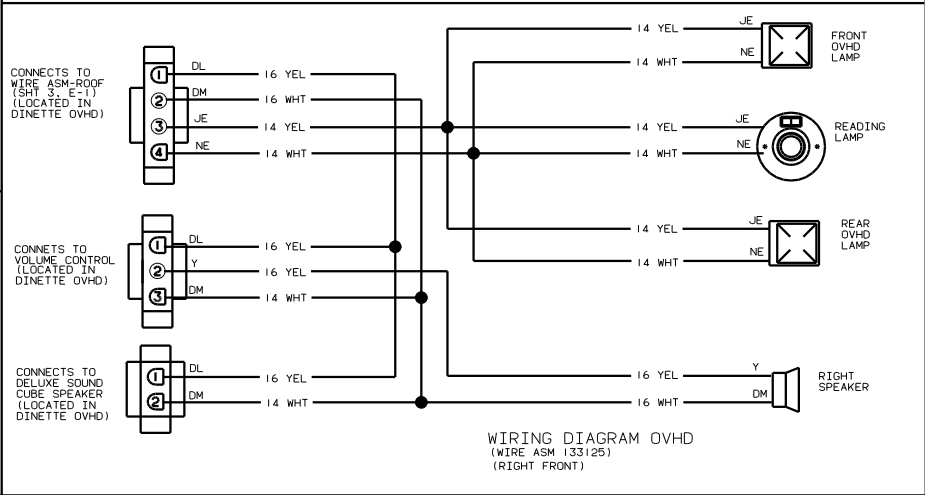
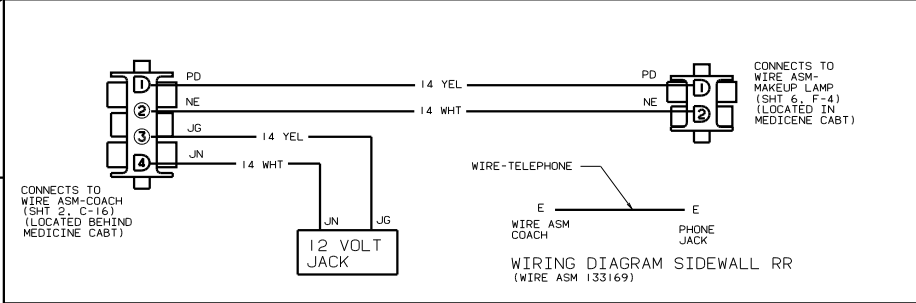
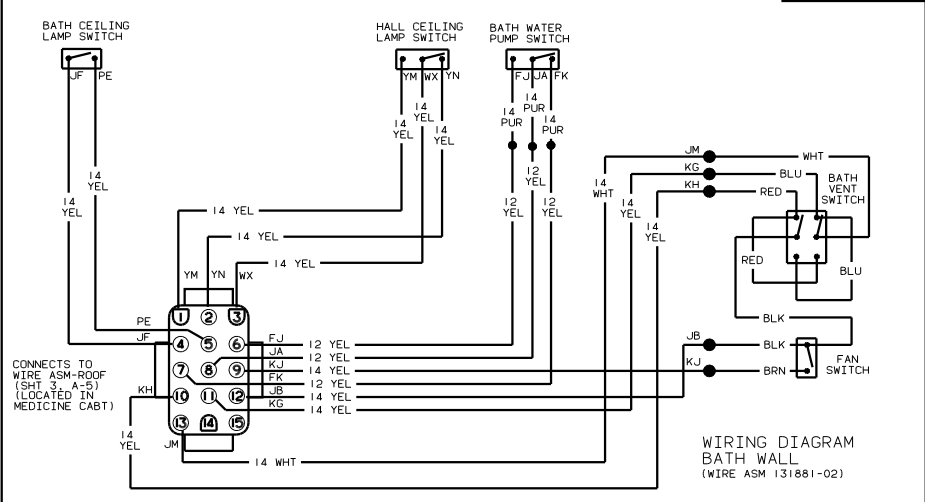
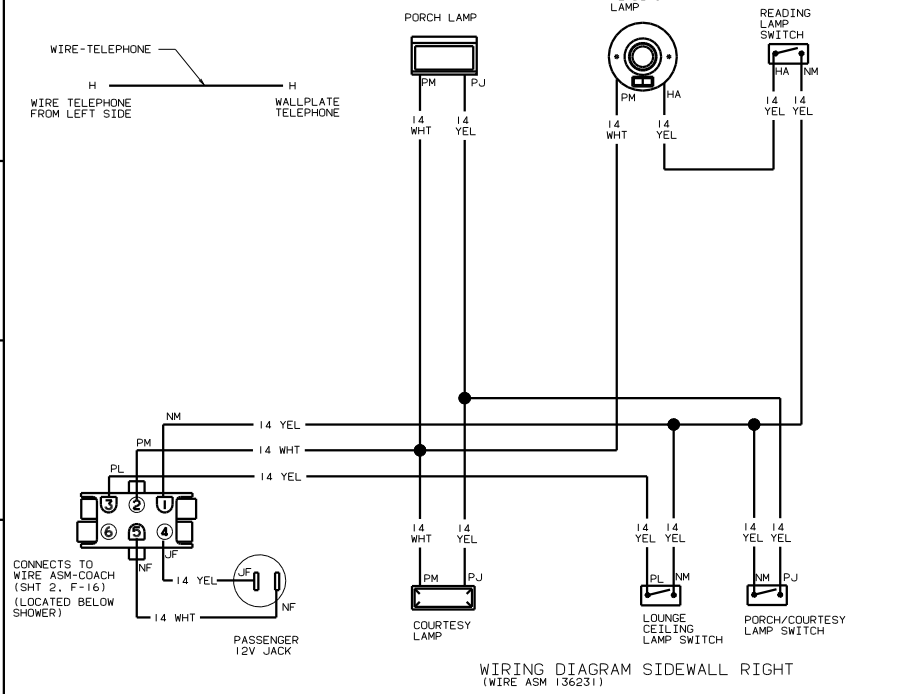
- NOTES:
- ② SEE WIRING DIAGRAM-AUTO FOR ADDITIONAL INFORMATION.
  - ① SEE MANUFACTURER'S DIAGRAM FOR ADDITIONAL INFORMATION.

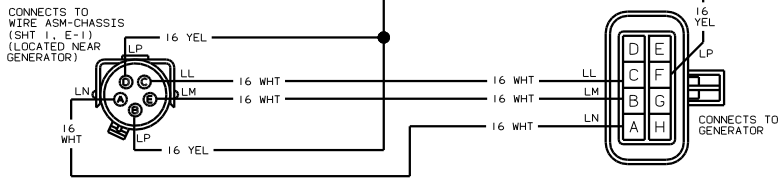


WIRING DIAGRAM SLIDEOUT (WIRE ASM 131880)

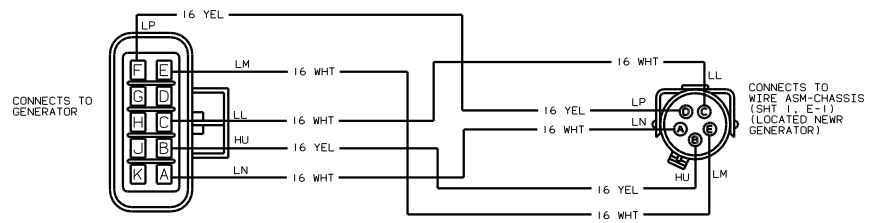
01 P36LD

TITLE		WIRING DIAGRAM-BODY_12V	
NO. OF SHEETS	1	OF	1
SHEET	4	OF	7
DATE		REV	
			135720

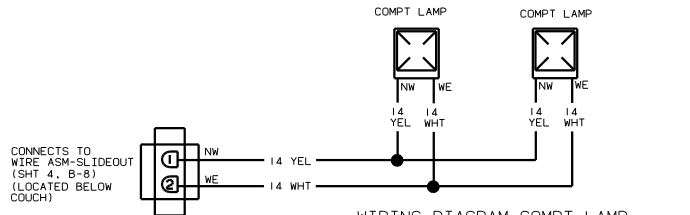




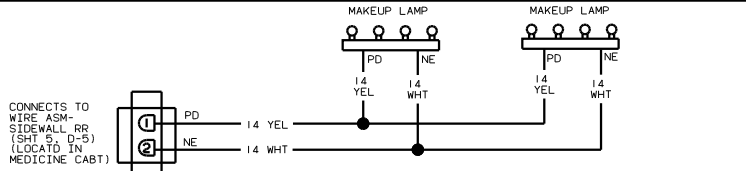
WIRING DIAGRAM GEN ADAPTER.LP  
(WIRE ASM 130332-01)



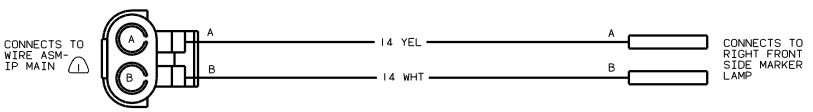
WIRING DIAGRAM ADAPTER.DIESEL  
(WIRE ASM 130332-02)



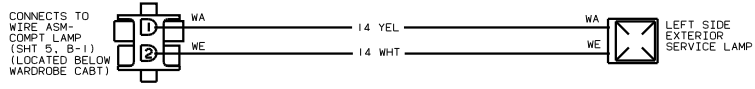
WIRING DIAGRAM COMPT LAMP  
(WIRE ASM 125266-09)



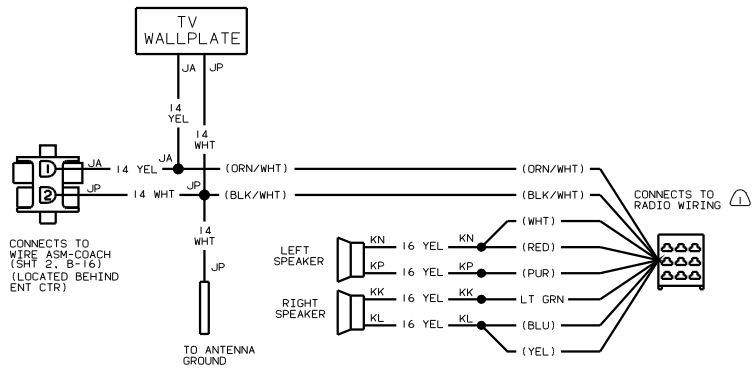
WIRING DIAGRAM MAKEUP LAMP  
(WIRE ASM 125266-08)



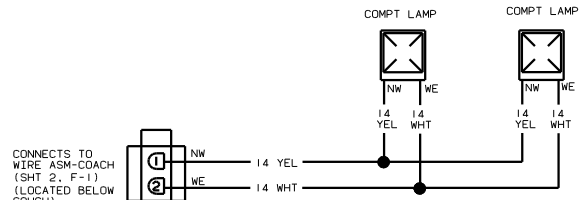
WIRING DIAGRAM SIDE MARKER LAMP  
(WIRE ASM 133110)



WIRING DIAGRAM SERVICE LAMP  
(WIRE ASM 077093-12)



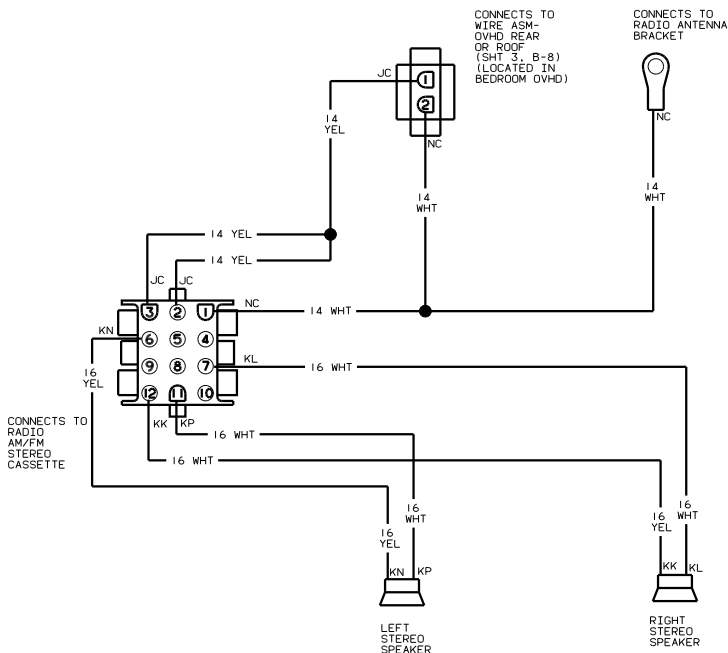
WIRING DIAGRAM-EXT ENT CTR  
(WIRE ASM 125853-01)  
(WITH EXTERIOR ENTERTAINMENT CENTER)



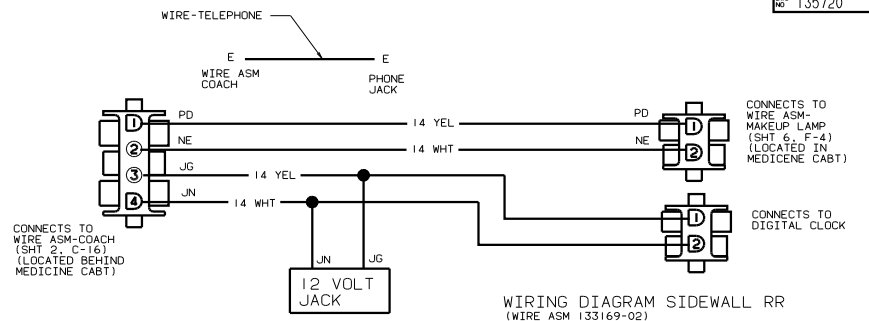
WIRING DIAGRAM COMPT LAMP  
(WIRE ASM 125266-07)

SEE WIRING DIAGRAM AUTO FOR ADDITIONAL INFORMATION.





WIRING DIAGRAM REAR STEREO  
(WIRE ASM 124336)



WIRING DIAGRAM SIDEWALL RR  
(WIRE ASM 133169-02)