



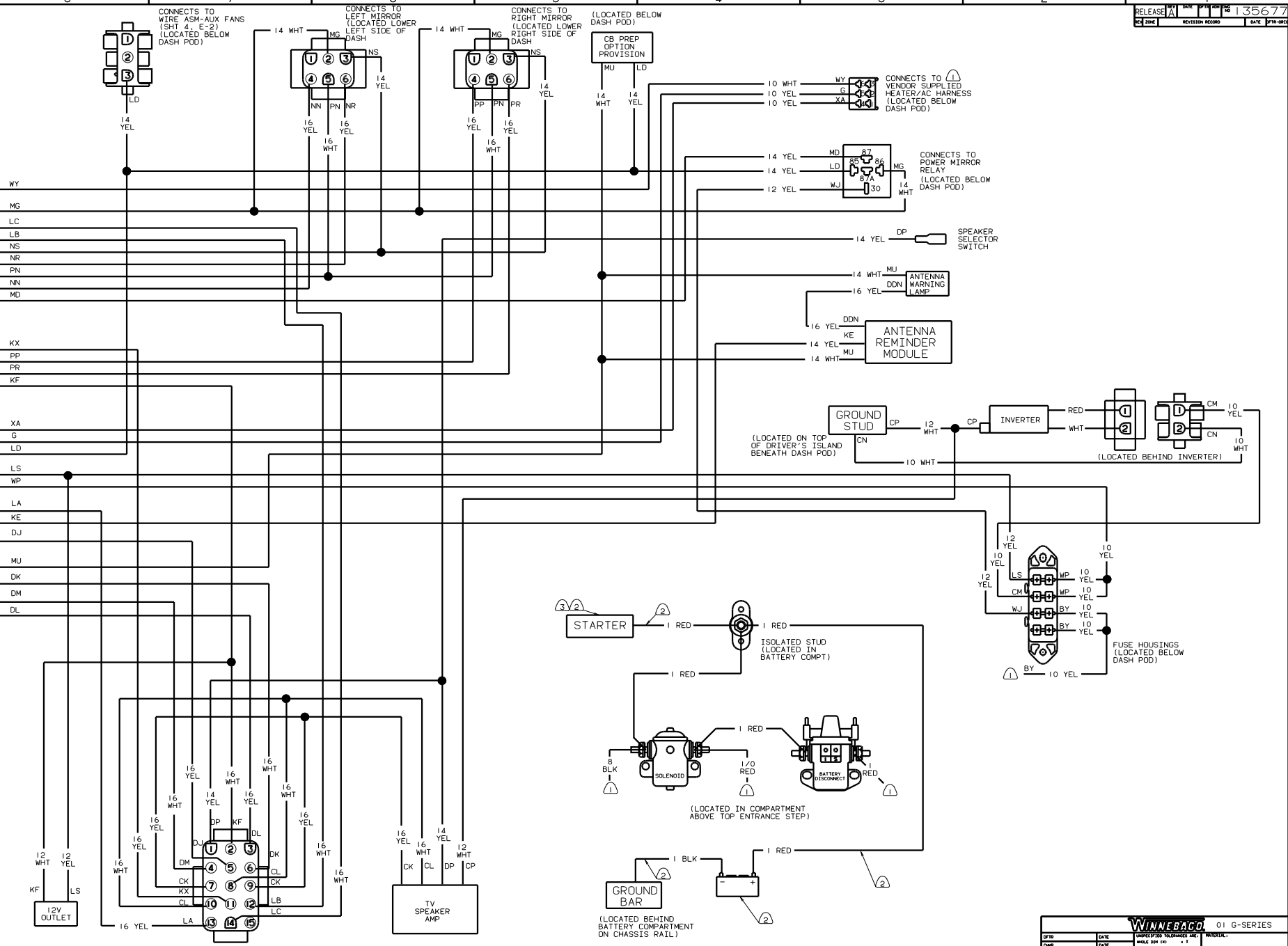
**DANGER**

**Danger of electrical shock, burns or death.** Always remove all power sources before attempting any repair, service or diagnostic work. Power can be present from shore power, generator, inverter or battery. All power sources must be disabled and secured before performing any service.



**CAUTION**

If you lack the skills, tools or equipment to perform diagnostic or repair work leave such work to an authorized Winnebago Industries dealer or other qualified shop.

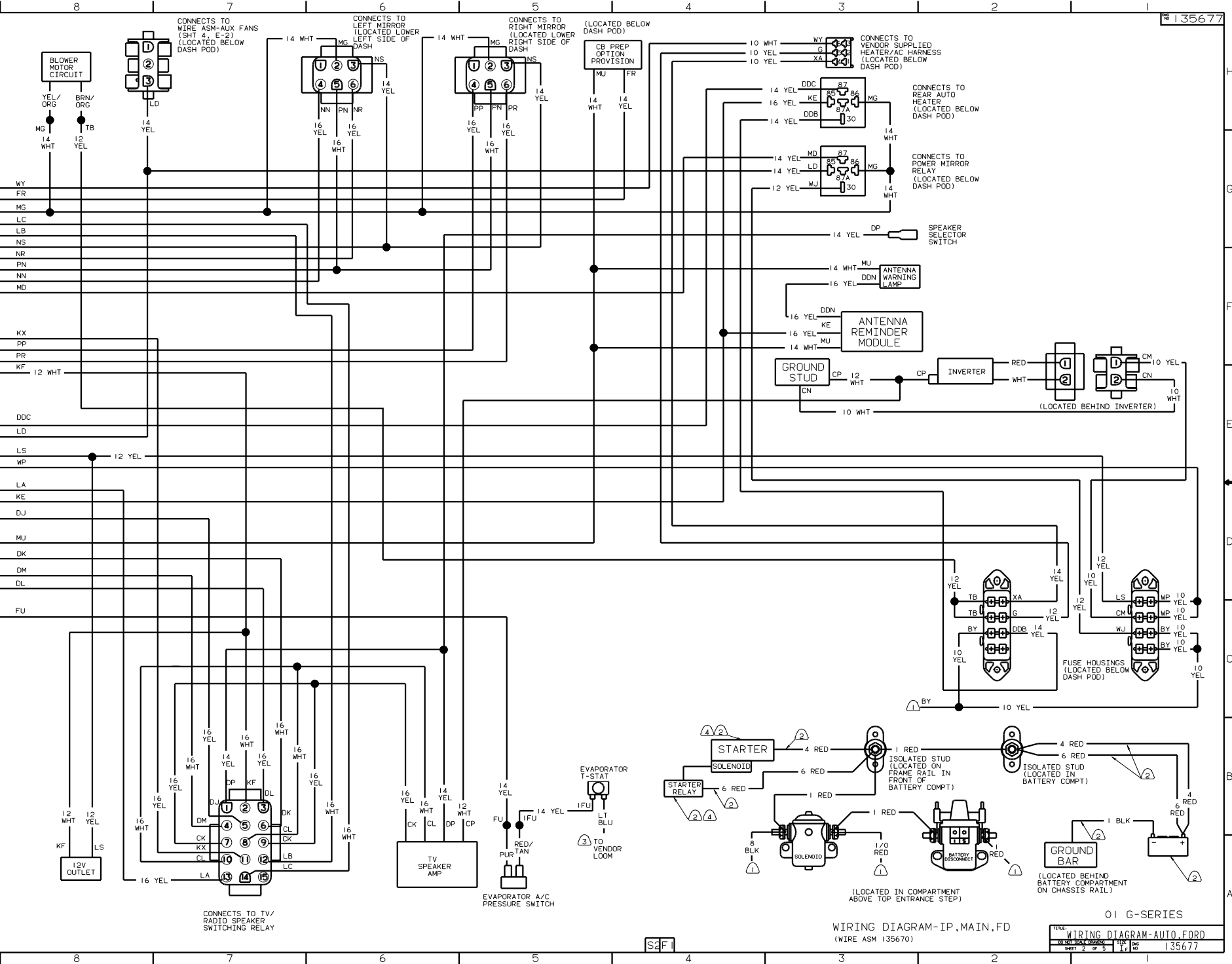


WIRING DIAGRAM IP MAIN WH  
 (WIRE ASM 135669)

WINN-DIEZEL 01 G-SERIES			
DATE	DESCRIPTION	BY	REVISION
01/11/88	WIRING DIAGRAM	...	1
01/11/88	...	...	2
01/11/88	...	...	3
01/11/88	...	...	4
01/11/88	...	...	5

TITLE: WIRING DIAGRAM-AUTO WH  
 SHEET 1 OF 5  
 REF: 132726-A 135677

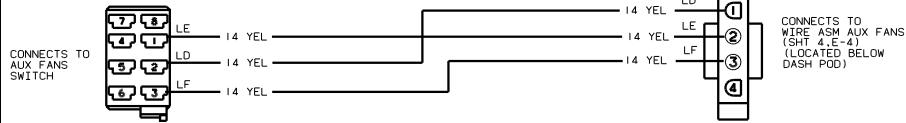




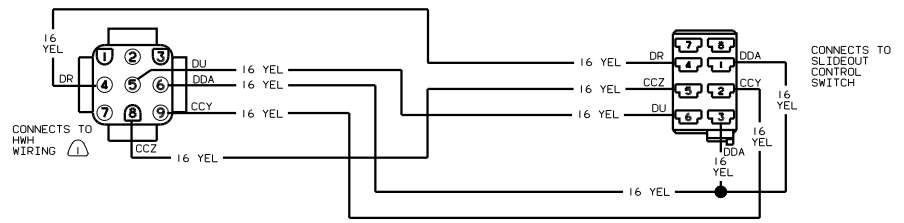
WIRING DIAGRAM-IP.MAIN.FD

01 G-SERIES	
WIRING DIAGRAM-AUTO.FORD	
NO. OF SHEETS	135677
SHEET 2 OF 5	

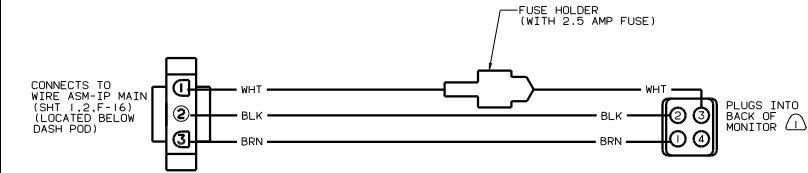




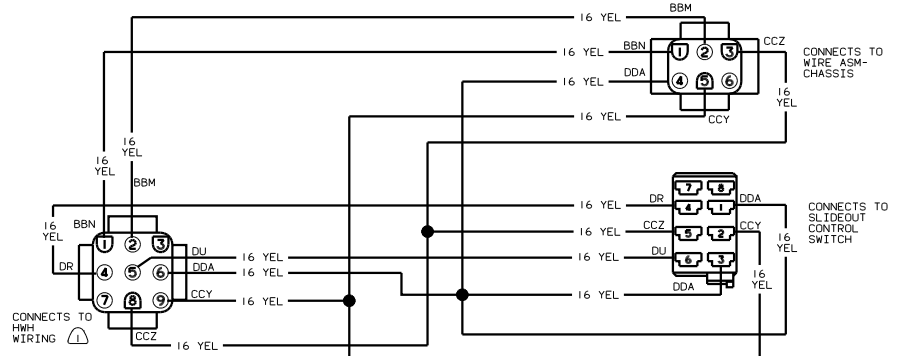
WIRING DIAGRAM IP,AUX FANS  
(WIRE ASM 132669)



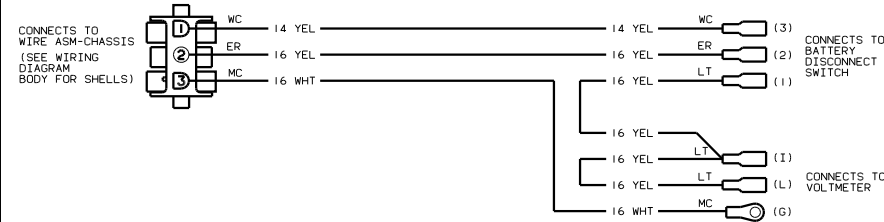
WIRING DIAGRAM SLIDEOUT CONTROL  
(WIRE ASM 131386-01) (09L)



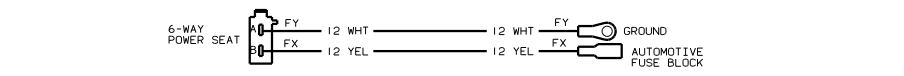
WIRING DIAGRAM-REAR MONITOR,UPPER  
(WITH REAR MONITOR)  
(WIRE ASM 96717-03)



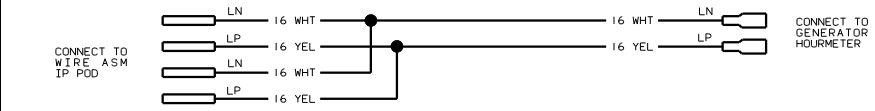
WIRING DIAGRAM SLIDEOUT CONTROL  
(WIRE ASM 131386-02) (1D2)



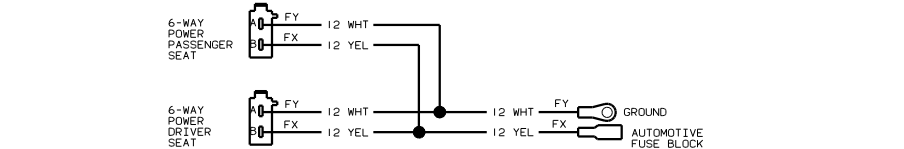
WIRING DIAGRAM-VOLTMETER  
(WIRE ASM 112055-03) (SHELLS)



WIRING DIAGRAM POWER DRIVER SEAT  
(WIRE ASM 131279-02) (64D)



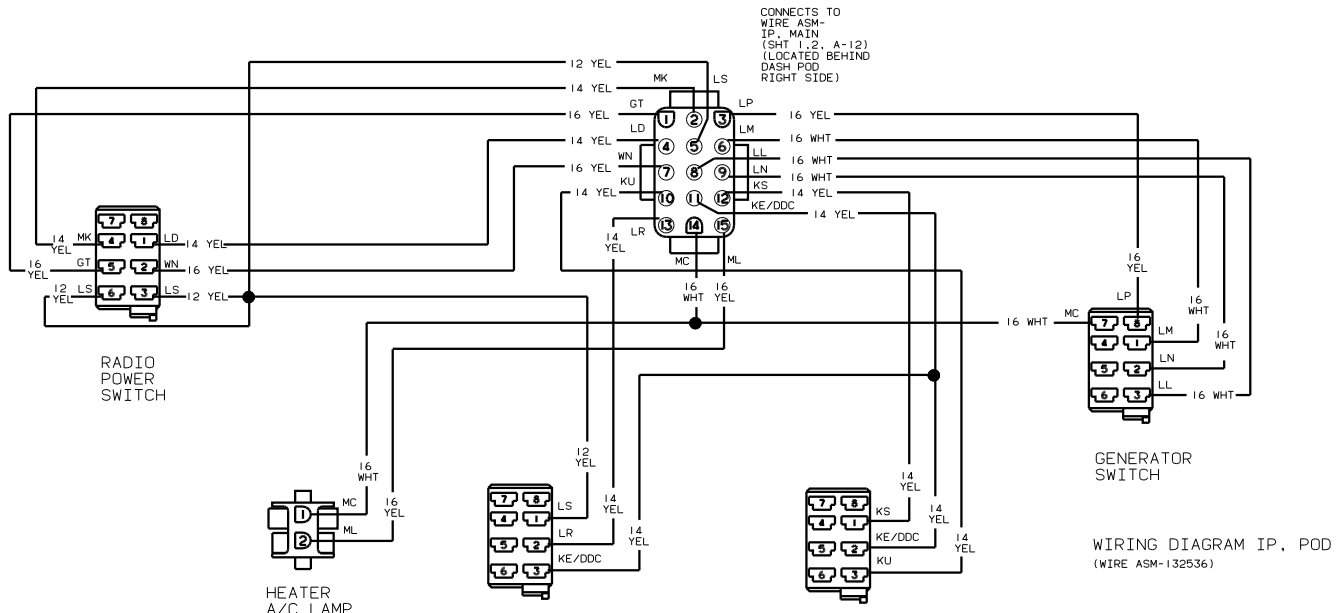
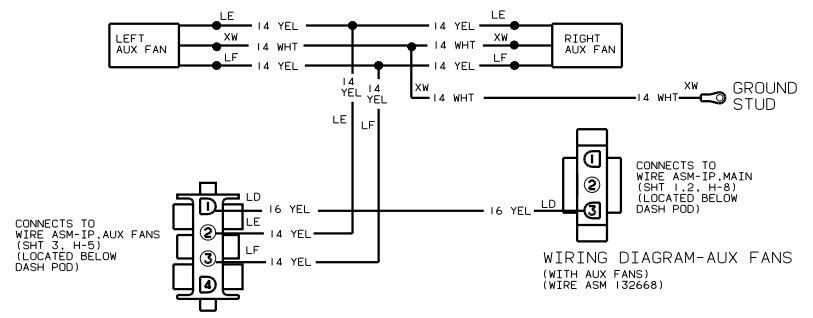
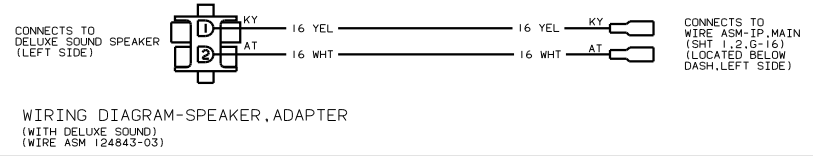
WIRING DIAGRAM-IP,GENERATOR  
(WIRE ASM 110344-02) (SHELLS)



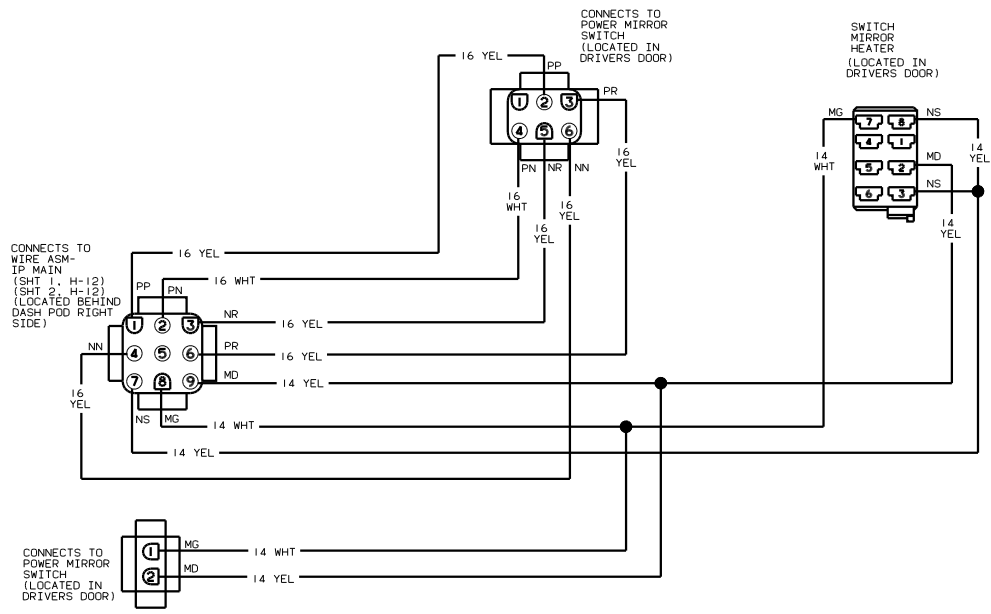
WIRING DIAGRAM POWER DRIVER SEAT  
(WIRE ASM 131279-03) (64J)

NOTES:  
① SEE MANUFACTURER'S DIAGRAM FOR ADDITIONAL INFORMATION.

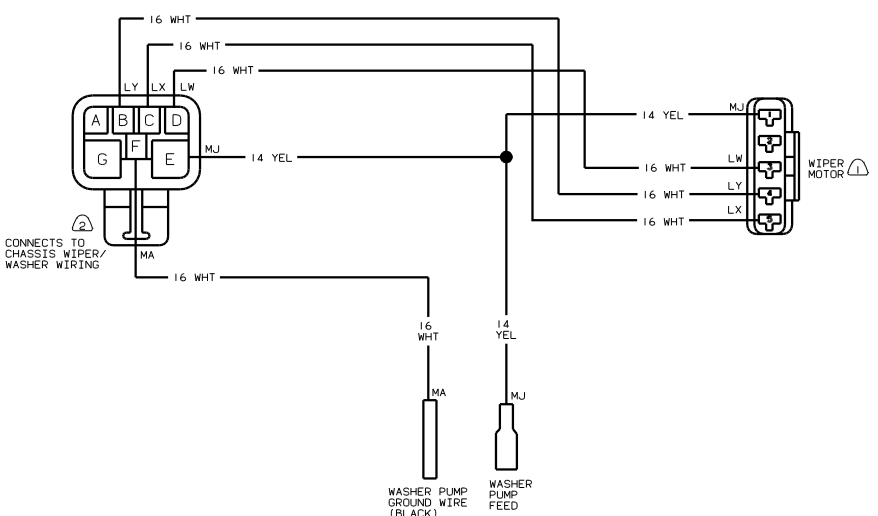
(64D) SEAT PED-6-WAY POWER DRIVER  
(64J) SEAT PED-6-WAY DR/PASS POWER  
01 G SERIES  
TITLE: WIRING DIAGRAM-AUTO  
30 NO SCALE DRAWING 100  
SHEET 3 OF 5 1.6 No 135677



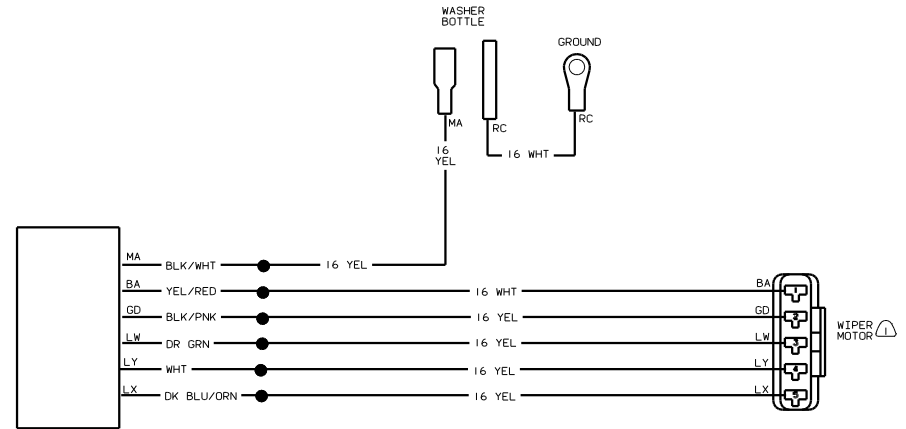
NOTES:  
 (2) SEE MANUFACTURER'S DIAGRAM FOR ADDITIONAL INFORMATION.  
 (1) SEE SHT'S 8,9,10 FOR ADDITIONAL INFORMATION.



WIRING DIAGRAM IP POWER MIRROR (WIRE ASM 129436-02)



WIRING DIAGRAM WIPER/WASHER (WIRE ASM 113134-03) (1PM)



WIRING DIAGRAM WIPER/WASHER (WIRE ASM 111096-03) (1GM)

② SEE WIRING DIAGRAM-BODY FOR ADDITIONAL INFORMATION.  
⚠ SEE MANUFACTURER'S DIAGRAM FOR ADDITIONAL INFORMATION.

(1GM) FORD CHASSIS 20,500#/V10 ENG  
(1PM) WORKHORSE CHASSIS-18,000LB.

01 G SERIES