



**DANGER**

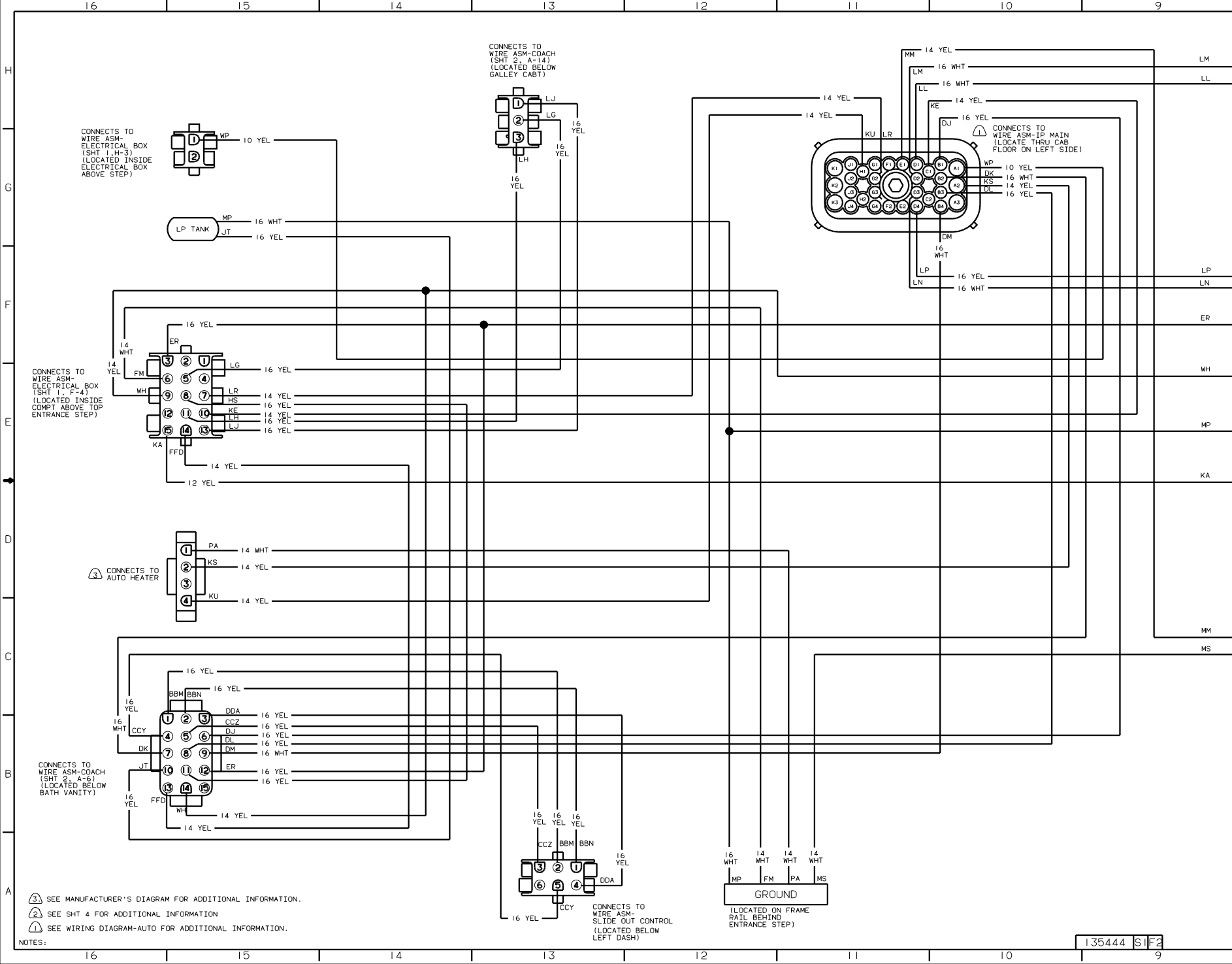
**Danger of electrical shock, burns or death.** Always remove all power sources before attempting any repair, service or diagnostic work. Power can be present from shore power, generator, inverter or battery. All power sources must be disabled and secured before performing any service.



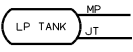
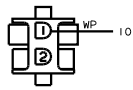
**CAUTION**

If you lack the skills, tools or equipment to perform diagnostic or repair work leave such work to an authorized Winnebago Industries dealer or other qualified shop.

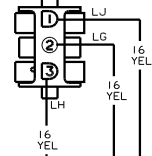




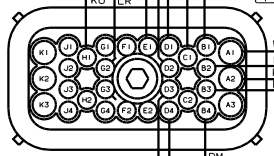
CONNECTS TO WIRE ASM-ELECTRICAL BOX (SHT 1, H-3) (LOCATED INSIDE ELECTRICAL BOX ABOVE STEP)



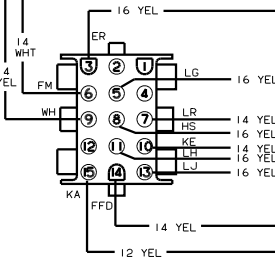
CONNECTS TO WIRE ASM-COACH (SHT 2, A-14) (LOCATED BELOW GALLEY CABT)



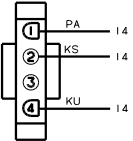
CONNECTS TO WIRE ASM-IP MAIN (LOCATE THRU CAB FLOOR ON LEFT SIDE)



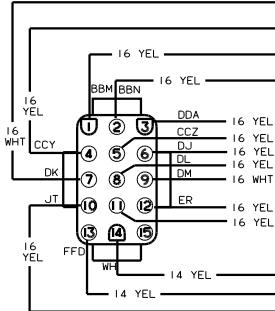
CONNECTS TO WIRE ASM-ELECTRICAL BOX (SHT 1, F-4) (LOCATED INSIDE COMPT ABOVE TOP ENTRANCE STEP)



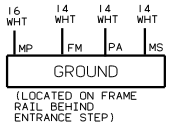
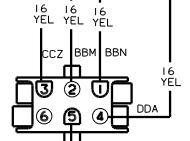
CONNECTS TO AUTO HEATER



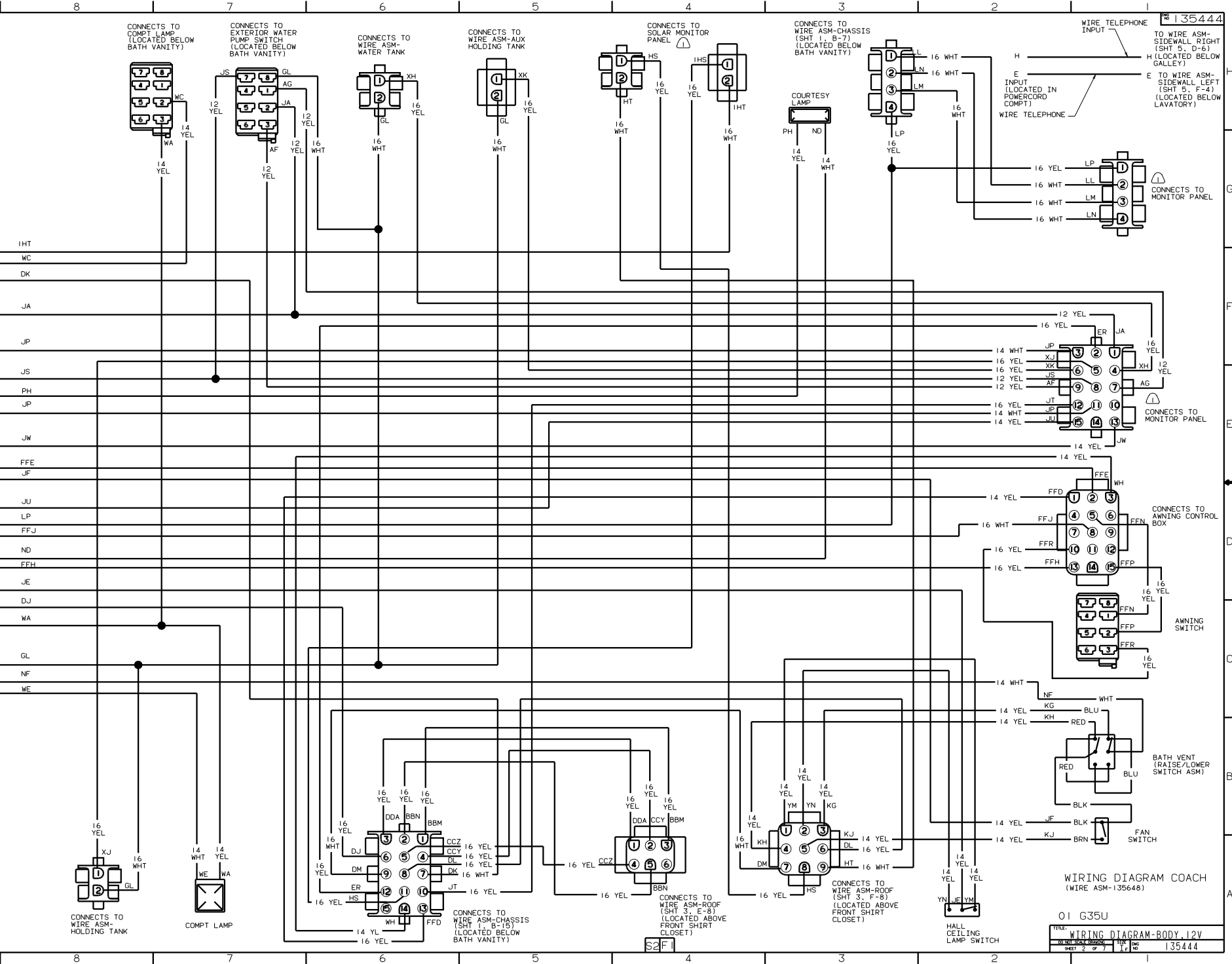
CONNECTS TO WIRE ASM-COACH (SHT 2, A-6) (LOCATED BELOW BATH VANITY)



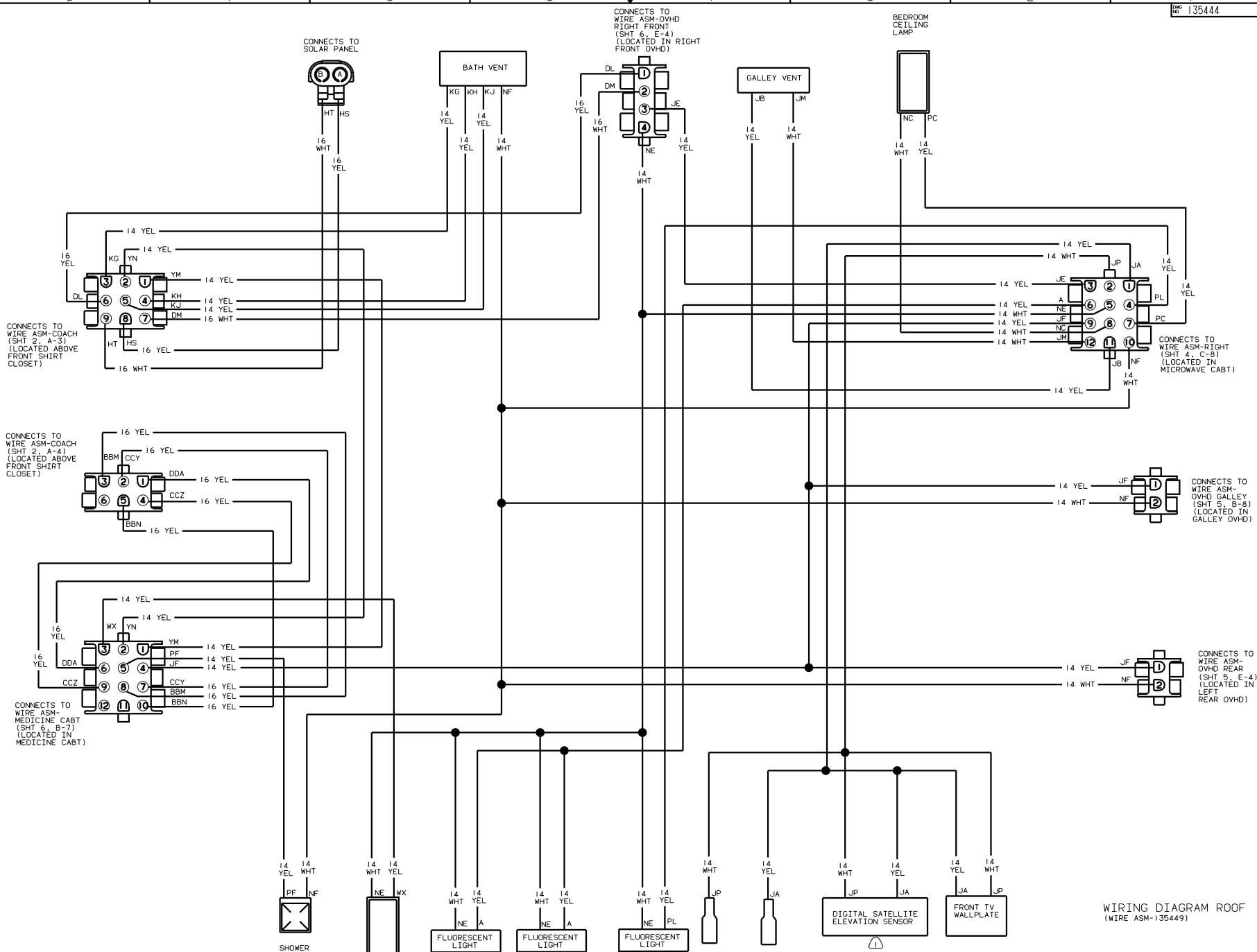
CONNECTS TO WIRE ASM-SLIDE OUT CONTROL (LOCATED BELOW LEFT DASH)



- ③ SEE MANUFACTURER'S DIAGRAM FOR ADDITIONAL INFORMATION.
- ② SEE SHT 4 FOR ADDITIONAL INFORMATION
- ① SEE WIRING DIAGRAM-AUTO FOR ADDITIONAL INFORMATION.

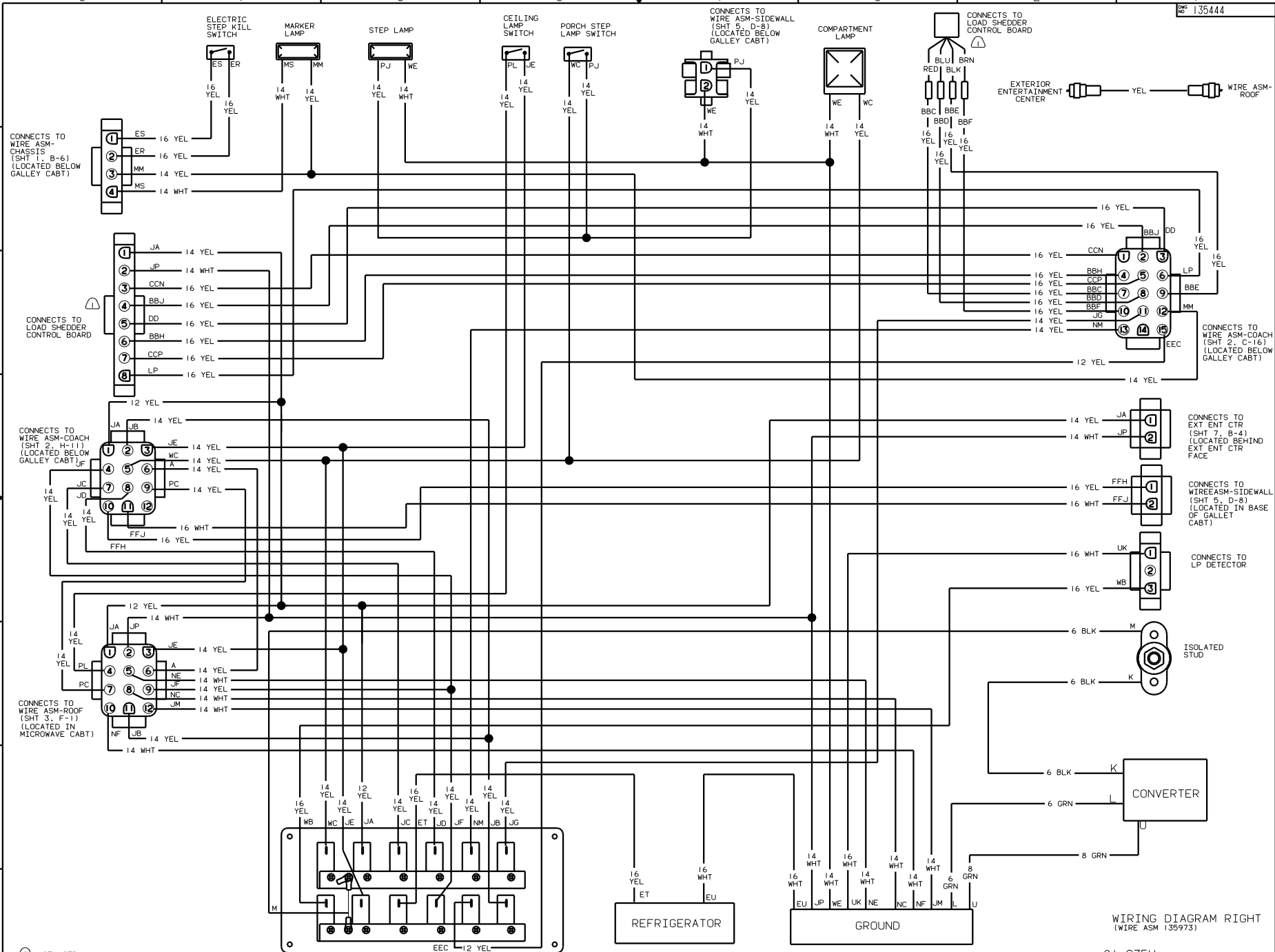






NOTES:  
 ⚠ SEE MANUFACTURER'S DIAGRAM FOR ADDITIONAL INFORMATION.

WIRING DIAGRAM ROOF  
 (WIRE ASM-135449)



NOTES:  
 (2) NOT USED.  
 (1) SEE MANUFACTURER'S DIAGRAM FOR ADDITIONAL INFORMATION.

WIRING DIAGRAM RIGHT  
 (WIRE ASM 135973)

01 G35U	
TITLE:	WIRING DIAGRAM-BODY_12V
DO NOT SCALE DRAWING	DATE
SHEET 4 OF 7	135444

