



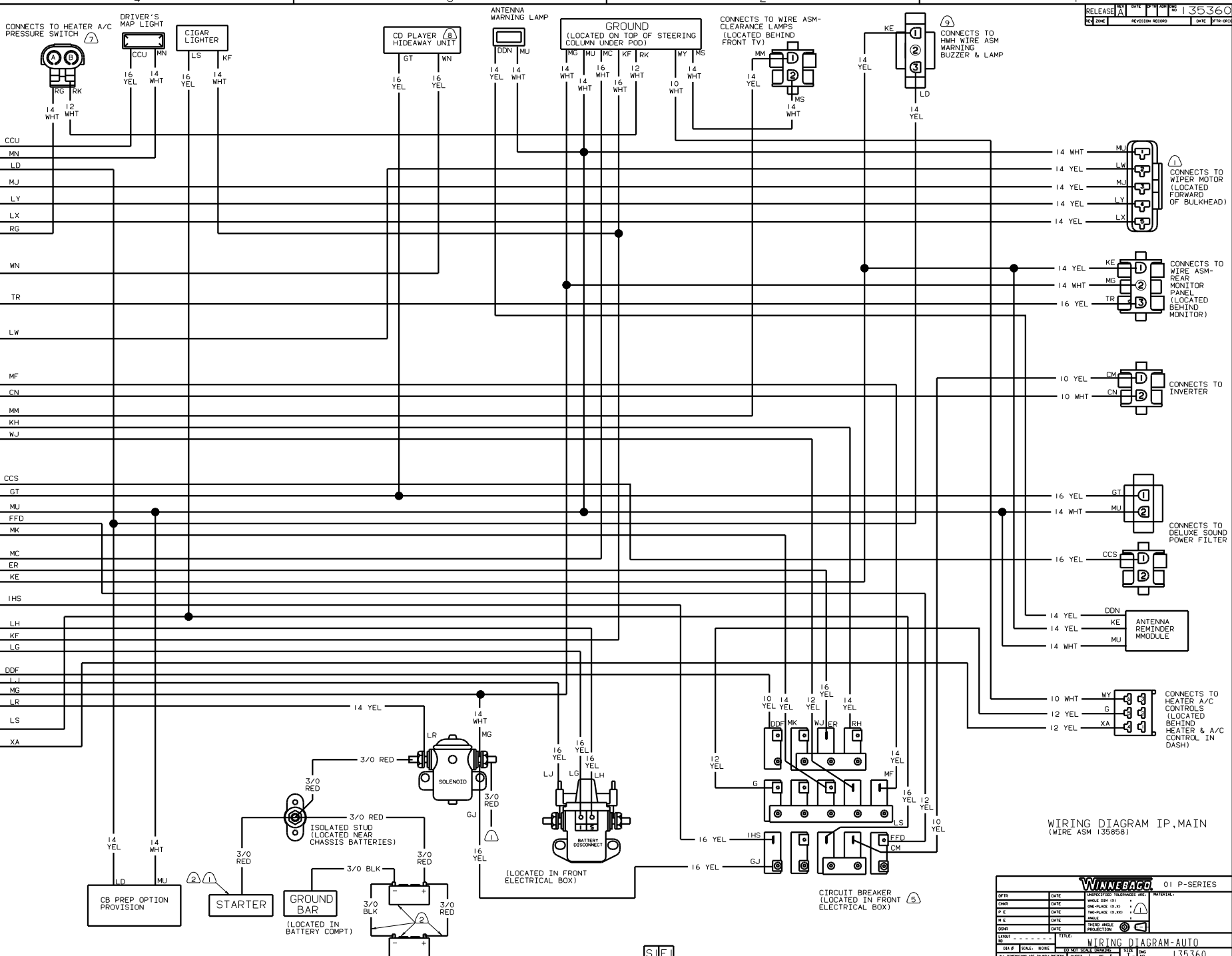
**DANGER**

**Danger of electrical shock, burns or death.** Always remove all power sources before attempting any repair, service or diagnostic work. Power can be present from shore power, generator, inverter or battery. All power sources must be disabled and secured before performing any service.



**CAUTION**

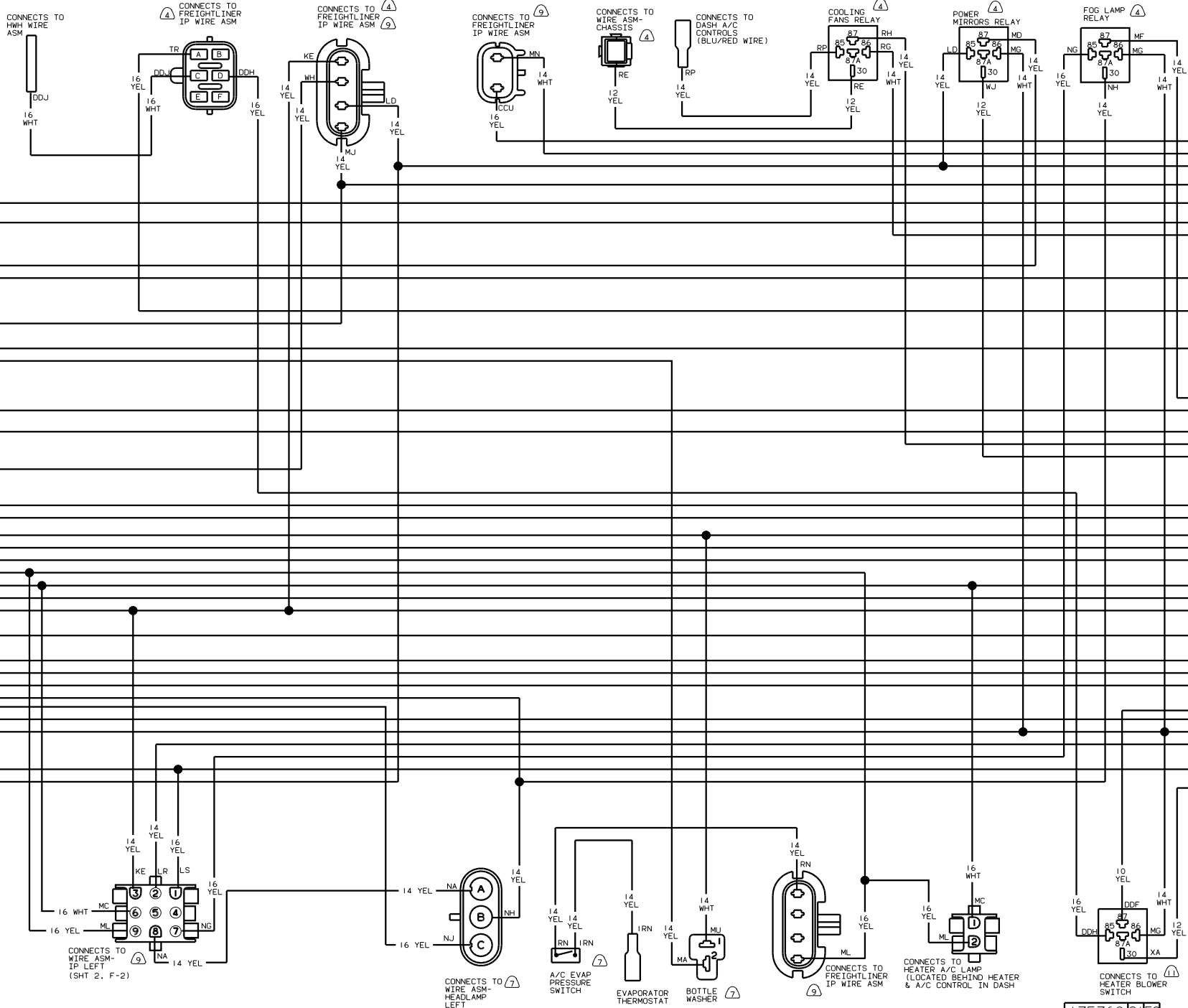
If you lack the skills, tools or equipment to perform diagnostic or repair work leave such work to an authorized Winnebago Industries dealer or other qualified shop.

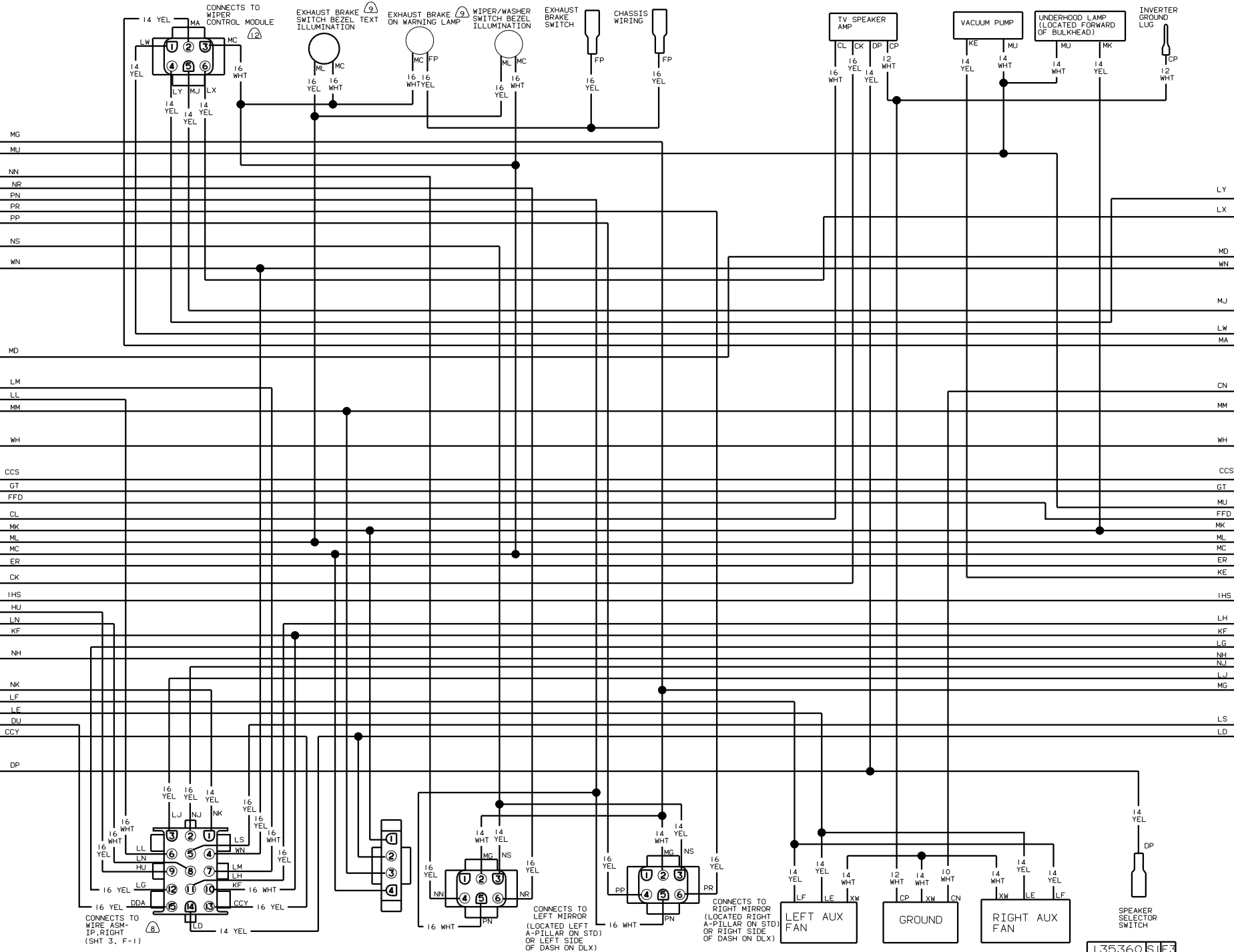


WIRING DIAGRAM IP MAIN (WIRE ASM 135858)

WINNEBAGO		01 P-SERIES	
DATE	UNDESIGNED	DATE	UNDESIGNED
DATE	DESIGNED	DATE	DESIGNED
DATE	MANUFACTURED	DATE	MANUFACTURED
DATE	TESTED	DATE	TESTED
DATE	INSPECTED	DATE	INSPECTED
DATE	PRODUCED	DATE	PRODUCED
TITLE: WIRING DIAGRAM-AUTO		SHEET 1 OF 4	
SCALE: NONE		DRAWING NO: 135360	

SIF





CONNECTS TO WIRE ASM-MTS AMPLIFIER

FRONT DELUXE SOUND SUBWOOFER

CONNECTS TO MIRROR SWITCH

CONNECTS TO RADIO (LOCATED BEHIND RADIO)

CONNECTS TO MIRROR SWITCH (POWER)

STEP-COVER SOLENOID

CONNECTS TO HEATER MIRROR SWITCH

CONNECTS TO WIRE ASM-CHASSIS (LOCATED ON FLOOR BELOW LEFT SIDE OF DASH)

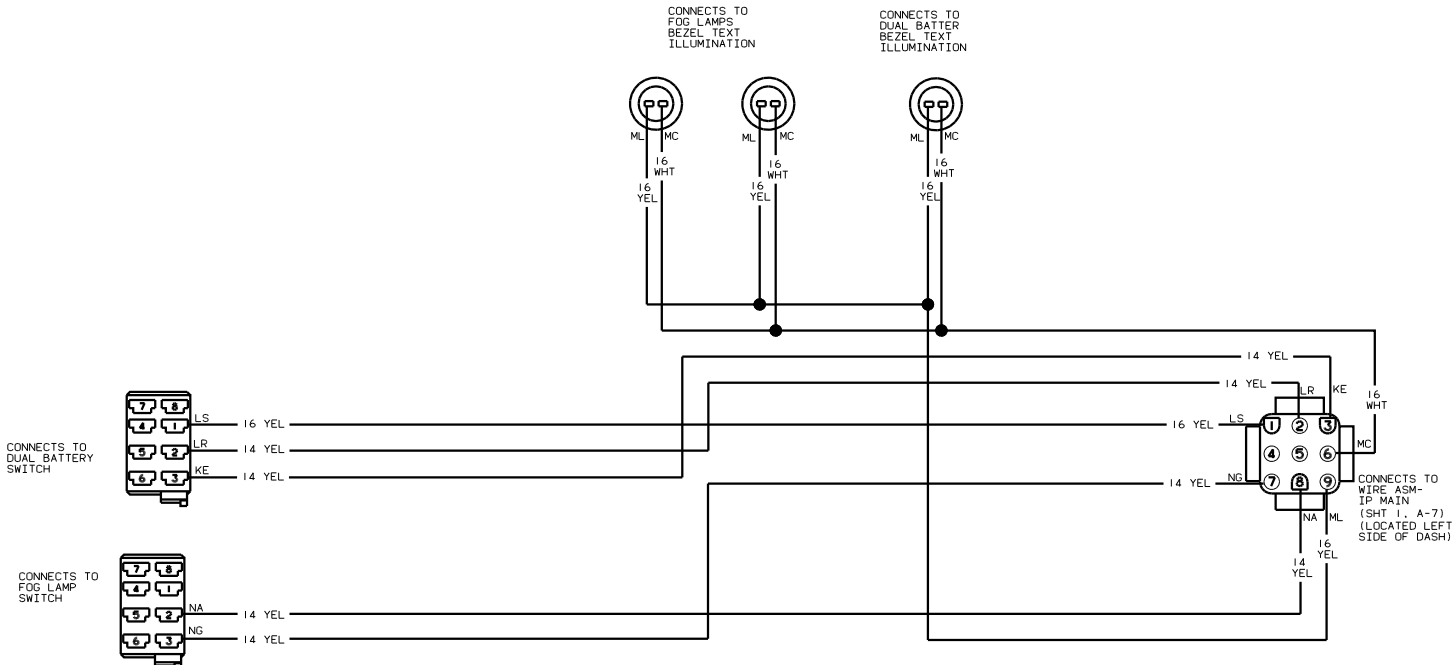
CONNECTS TO WIRE ASM-HEADLAMP RIGHT

CONNECTS TO WIRE ASM-SLIDEOUT CONTROL (SHT 4, F-5)

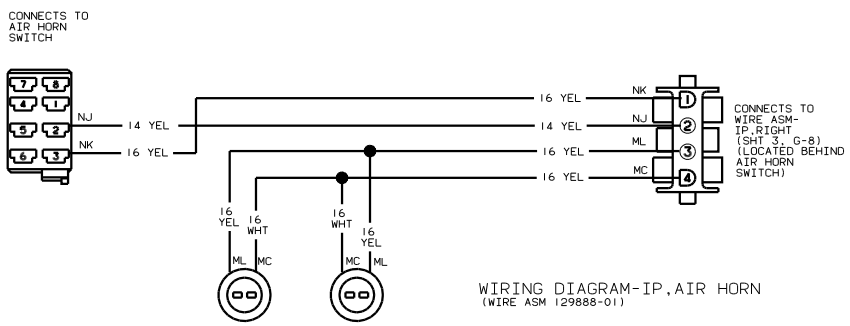
CONNECTS TO WIRE ASM-IP RIGHT (SHT 2, C-8)

CONNECTS TO TV/RADIO SPEAKER SWITCHING RELAY

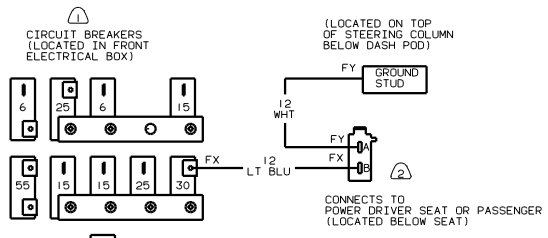
- NOTES:
- ⑫ LOCATED BELOW LEFT DASH ON BULKHEAD
  - ⑪ LOCATED BELOW LEFT DASH
  - ⑩ LOCATED IN DRIVER'S SIDE TRIM PANEL.
  - ⑨ LOCATED ON LEFT SIDE OF DASH.
  - ⑧ LOCATED ON RIGHT SIDE OF DASH.
  - ⑦ LOCATED FORWARD OF BULKHEAD ON RIGHT SIDE.
  - ⑥ SEE SHT 4 FOR ADDITIONAL INFORMATION.
  - ⑤ SEE SHT 3 FOR ADDITIONAL INFORMATION.
  - ④ LOCATED FORWARD OF BULKHEAD IN FRONT ELEC. BOX.
  - ③ SEE WIRING DIAGRAM BODY FOR ADDITIONAL INFORMATION.
  - ② SUPPLIED WITH CHASSIS.
  - ① SEE MANUFACTURER'S DIAGRAM FOR ADDITIONAL INFORMATION.



WIRING DIAGRAM-IP,LEFT  
(WIRE ASM 129437-01)



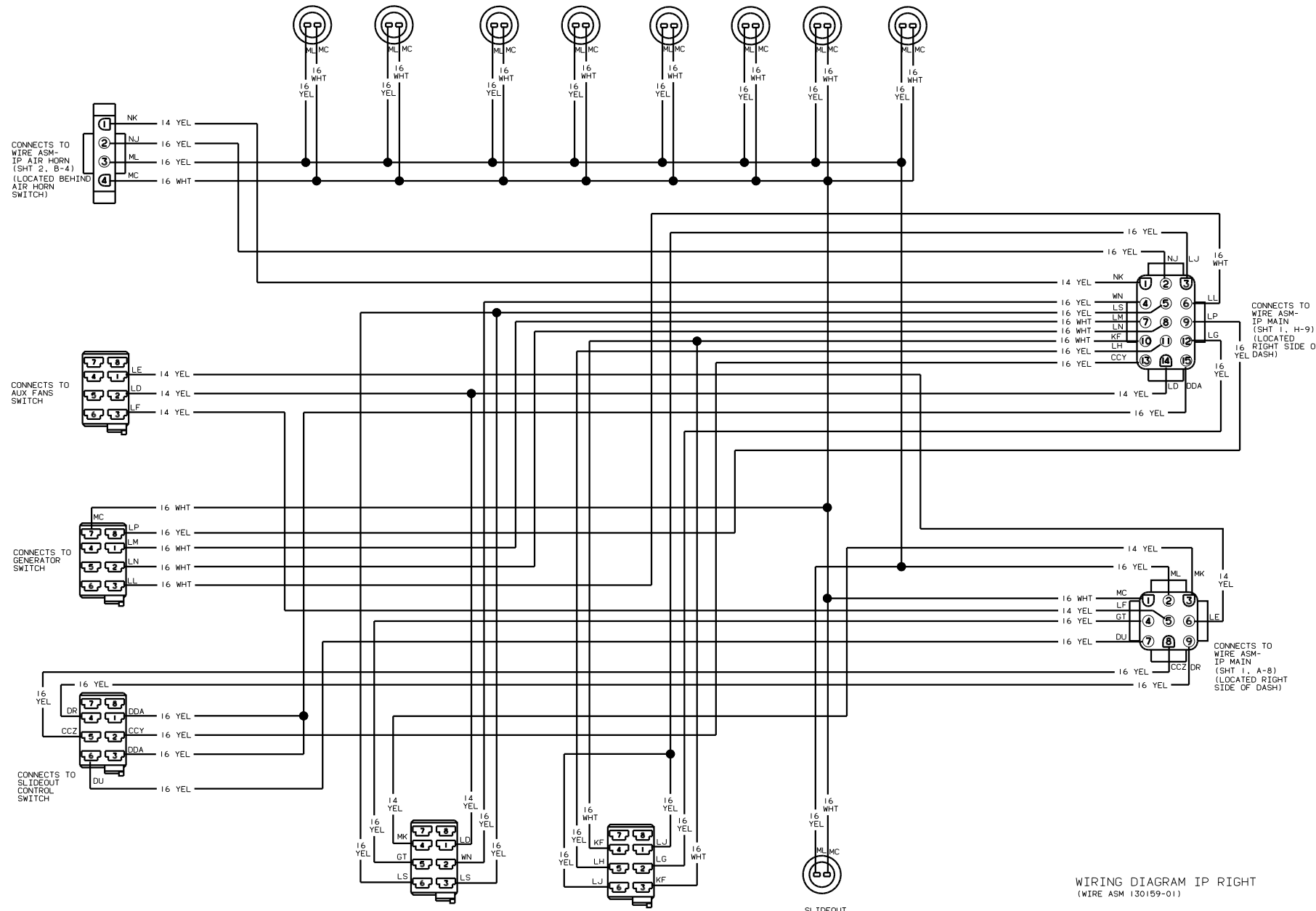
WIRING DIAGRAM-IP,AIR HORN  
(WIRE ASM 129888-01)



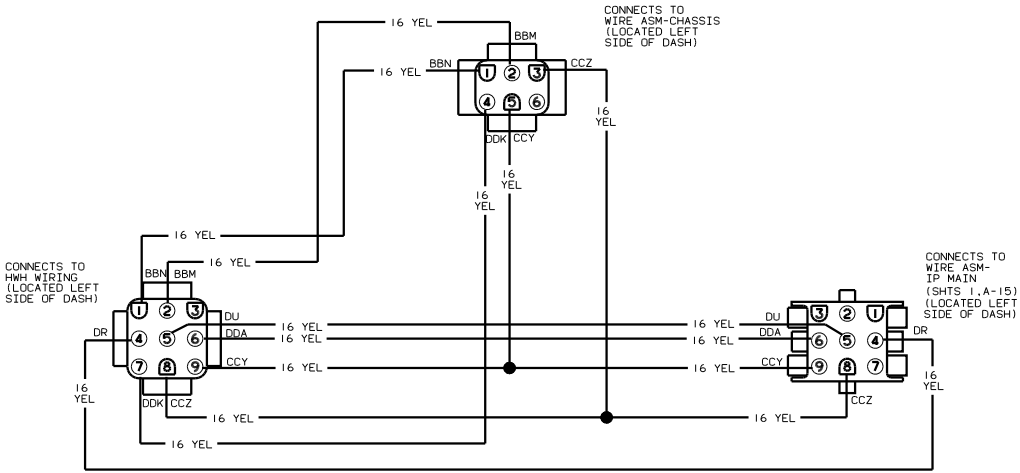
WIRING DIAGRAM-POWER DRIVER SEAT  
(WIRE ASM 108029-01) DRIVER'S  
(WIRE ASM 108029-04) PASSENGER'S

NOTES:  
② SEE MANUFACTURER'S DIAGRAM FOR ADDITION INFORMATION.  
⚠ SEE SHT 1 FOR ADDITIONAL INFORMATION.

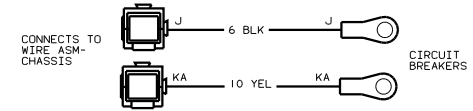
AUX FANS BEZEL TEXT ILLUMINATION  
GENERATOR BEZEL TEXT ILLUMINATION  
RADIO POWER BEZEL TEXT ILLUMINATION  
BATTERY DISCONNECT BEZEL TEXT ILLUMINATION



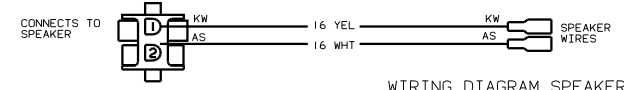
WIRING DIAGRAM IP RIGHT  
(WIRE ASM 130159-01)



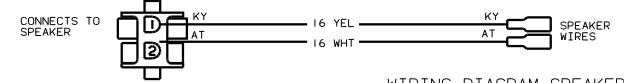
WIRING DIAGRAM SLIDEOUT CONTROL (WIRE ASM 131386-03)



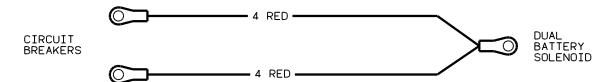
WIRING DIAGRAM CRT BRK. POWER (WIRE ASM 103991-05)



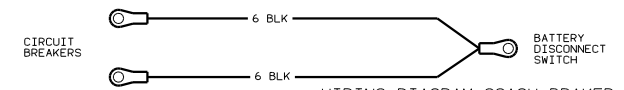
WIRING DIAGRAM SPEAKER ADAPTER (WIRE ASM 124843-07) (RIGHT SIDE)



WIRING DIAGRAM SPEAKER ADAPTER (WIRE ASM 124843-08) (LEFT SIDE)



WIRING DIAGRAM CHASSIS BRAKER FEED (WIRE ASM 103843-04)



WIRING DIAGRAM COACH BRAKER FEED (WIRE ASM 103752-06)