



DANGER

Danger of electrical shock, burns or death. Always remove all power sources before attempting any repair, service or diagnostic work. Power can be present from shore power, generator, inverter or battery. All power sources must be disabled and secured before performing any service.

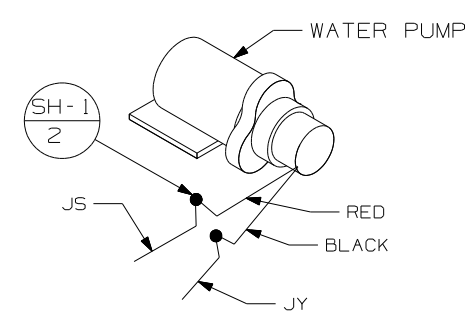


CAUTION

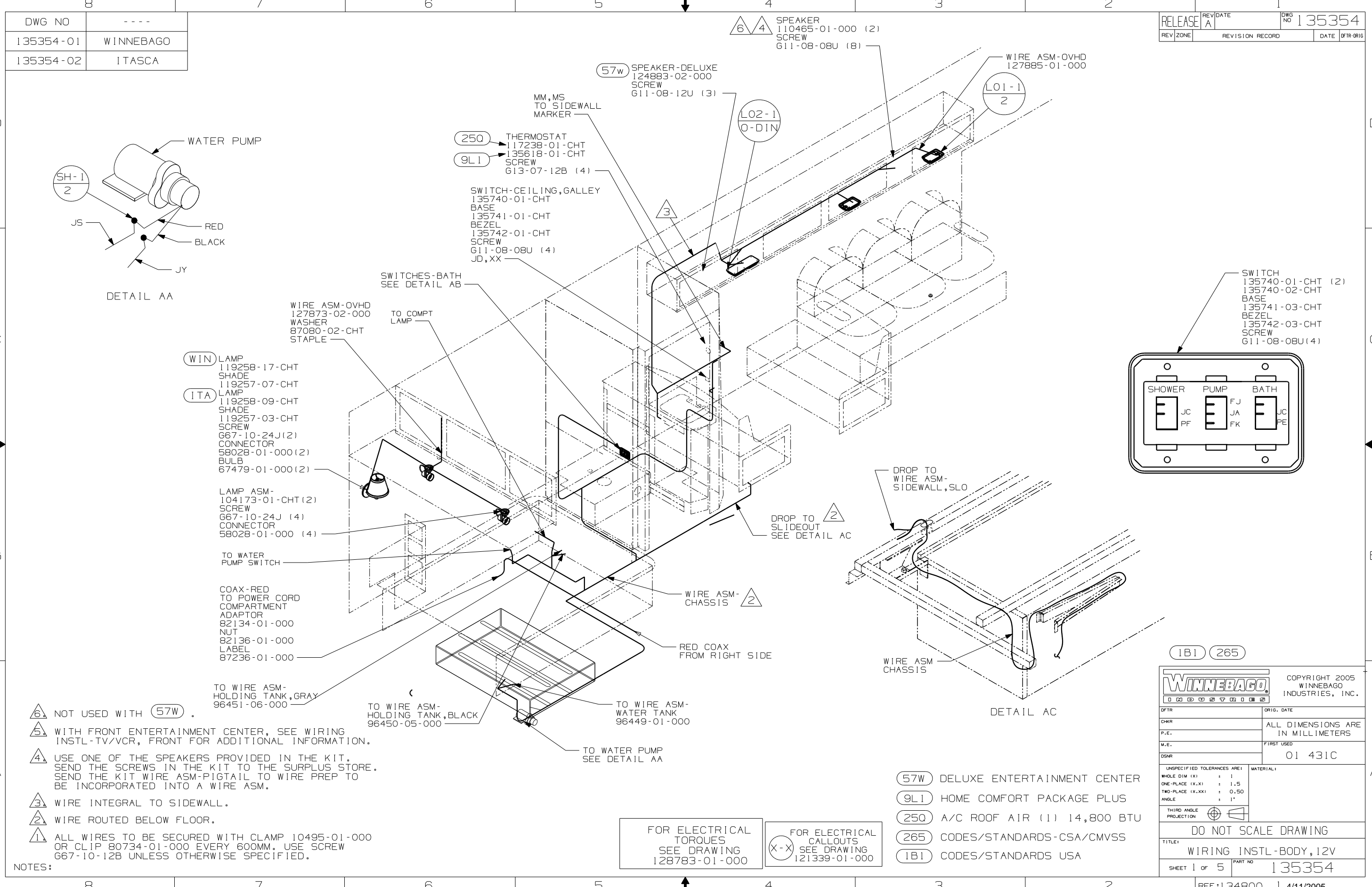
If you lack the skills, tools or equipment to perform diagnostic or repair work leave such work to an authorized Winnebago Industries dealer or other qualified shop.

DWG NO	-----
135354-01	WINNEBAGO
135354-02	ITASCA

RELEASE	REV/DATE	DWG NO	135354
REV ZONE	REVISION RECORD	DATE	DFTR-ORIG



DETAIL AA



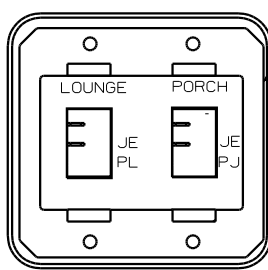
- NOTES:
- 6 NOT USED WITH 57W.
 - 5 WITH FRONT ENTERTAINMENT CENTER, SEE WIRING INSTL-TV/VCR, FRONT FOR ADDITIONAL INFORMATION.
 - 4 USE ONE OF THE SPEAKERS PROVIDED IN THE KIT. SEND THE SCREWS IN THE KIT TO THE SURPLUS STORE. SEND THE KIT WIRE ASM-PIGTAIL TO WIRE PREP TO BE INCORPORATED INTO A WIRE ASM.
 - 3 WIRE INTEGRAL TO SIDEWALL.
 - 2 WIRE ROUTED BELOW FLOOR.
 - 1 ALL WIRES TO BE SECURED WITH CLAMP 10495-01-000 OR CLIP 80734-01-000 EVERY 600MM. USE SCREW 667-10-12B UNLESS OTHERWISE SPECIFIED.

FOR ELECTRICAL TORQUES SEE DRAWING 128783-01-000

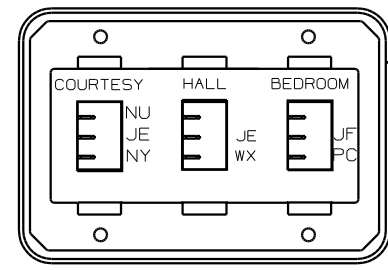
FOR ELECTRICAL CALLOUTS SEE DRAWING 121339-01-000

- 57W DELUXE ENTERTAINMENT CENTER
- 9L1 HOME COMFORT PACKAGE PLUS
- 250 A/C ROOF AIR (1) 14,800 BTU
- 265 CODES/STANDARDS-CSA/CMVSS
- IB1 CODES/STANDARDS USA

		COPYRIGHT 2005 WINNEBAGO INDUSTRIES, INC.
DFTR	ORIG. DATE	
CHKR	ALL DIMENSIONS ARE IN MILLIMETERS	
P.E.		
M.E.	FIRST USED	
DSNR	01 431C	
UNSPECIFIED TOLERANCES ARE:		MATERIAL:
WHOLE DIM (X)	: 1	
ONE-PLACE (X.X)	: 1.5	
TWO-PLACE (X.XX)	: 0.50	
ANGLE	: 1°	
THIRD ANGLE PROJECTION		
DO NOT SCALE DRAWING		
TITLE: WIRING INSTL-BODY, 12V		
SHEET 1 OF 5	PART NO	135354
REF: 134800 1 4/11/2005		



SWITCH
135740-01-CHT (2)
BASE
135741-02-CHT
BEZEL
135742-05-CHT
SCREW
G11-08-08U (4)



SWITCH
135740-01-CHT (2)
135740-02-CHT
BASE
135741-03-CHT
BEZEL
135742-03-CHT
SCREW
G11-08-08U (4)

SWITCH
135740-01-CHT
BASE
135741-01-CHT
BEZEL
135742-04-CHT
SCREW
G11-08-08U (4)

SWITCH
SLIDEOUT
SEE DETAIL BE

SWITCHES
ENTRANCE
SEE DETAIL BA

SWITCH-AISLE
135740-02-CHT
BASE
135741-01-CHT
BEZEL
135742-01-CHT
SCREW
G11-08-08U (4)
PH, NY NY

SWITCH-DOOR
SEE DETAIL BG

LOAD CENTER
SEE DETAIL BF

SPEAKER-SUBWOOFER
124884-01-000
GRILLE-SPEAKER
124885-01-000
SCREW
G11-08-12U(4)

SWITCH-BATTERY
DISCONNECT
SEE DETAIL BB

TO ENTERTAINMENT
CENTER
(SEE SHEET 5)

TO COMPT
LAMPS

LABEL-WARNING
116549-01-000

LP DETECTOR
103613-03-000
SCREW
G68-06-10U(2)

PLATE-SWITCH
98351-07-CHT
SWITCH-BATTERY
DISCONNECT
108357-06-CHT
SCREW
G11-06-10U(2)

WIRE ASM-
DELUXE SOUND
136122-01-000

WIRE ASM-
DELUXE SOUND
136122-01-000

WIRE ASM-
DELUXE SOUND
136122-01-000

WIRE ASM-RIGHT
135359-01-000

WALLPLATE-ANTENNA
86784-01-CHT
86784-03-CHT

HOUSINGS TO
WIRE ASM-ROOF

SPEAKER-DELUXE
124883-02-000
SCREW
G11-08-12U (3)

MONITOR PANEL
134940-01-CHT
134940-02-CHT
SCREW
G11-08-08U (4)

3 PIN HSG TO
RANGE HOOD

MM,MS TO
SIDEMARKER LAMP

4 PIN HOUSING
TO FURNACE

WALLPLATE-TV
76319-08-000
SCREW
G11-06-08U (2)

ET,EU TO
REFRIGERATOR

3 PIN HOUSING
TO WATER HEATER

SWITCHES-BEDROOM
SEE DETAIL BD

JAMB-DOOR

FRAME
SCREEN DOOR

ROUTE WIRES
THROUGH HOLE
GROMMET
8386-01-000

SWITCH ASM-
116995-02-000
SCREW
G11-06-08B(4)

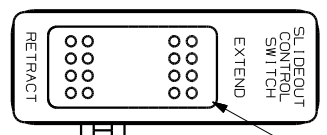
DETAIL BG

DETAIL BD

DETAIL BA

DETAIL BF

WARNING
UNDERSTAND OPERATOR'S MANUAL BEFORE USING
KEEP PEOPLE AND OBSTRUCTIONS CLEAR OF
SLIDEOUT ROOM WHEN OPERATING TO AVOID
INJURY AND/OR PROPERTY DAMAGE



DETAIL BE

PLATE-SWITCH
81994-10-000
SWITCH
108357-06-CHT
ACTUATOR
108356-02-CHT
NUT
D65-08-00B (2)
LABEL
116220-01-000

DETAIL BB
(SWITCH
MOUNTING
ORIENTATION)

VIEW BC-BC
(SWITCH ACTUATOR
ORIENTATION)

(76C) ENTERTAINMENT CTR/EXT CASSETTE

(40N) GEN-4.OKW-ONAN-GAS-MICROLITE

(1D5) ENTERTAINMENT CENTER/EXT W/CD

(1A3) GENERATOR WITHOUT

(265) CODES/STANDARDS-CSA/CMVSS

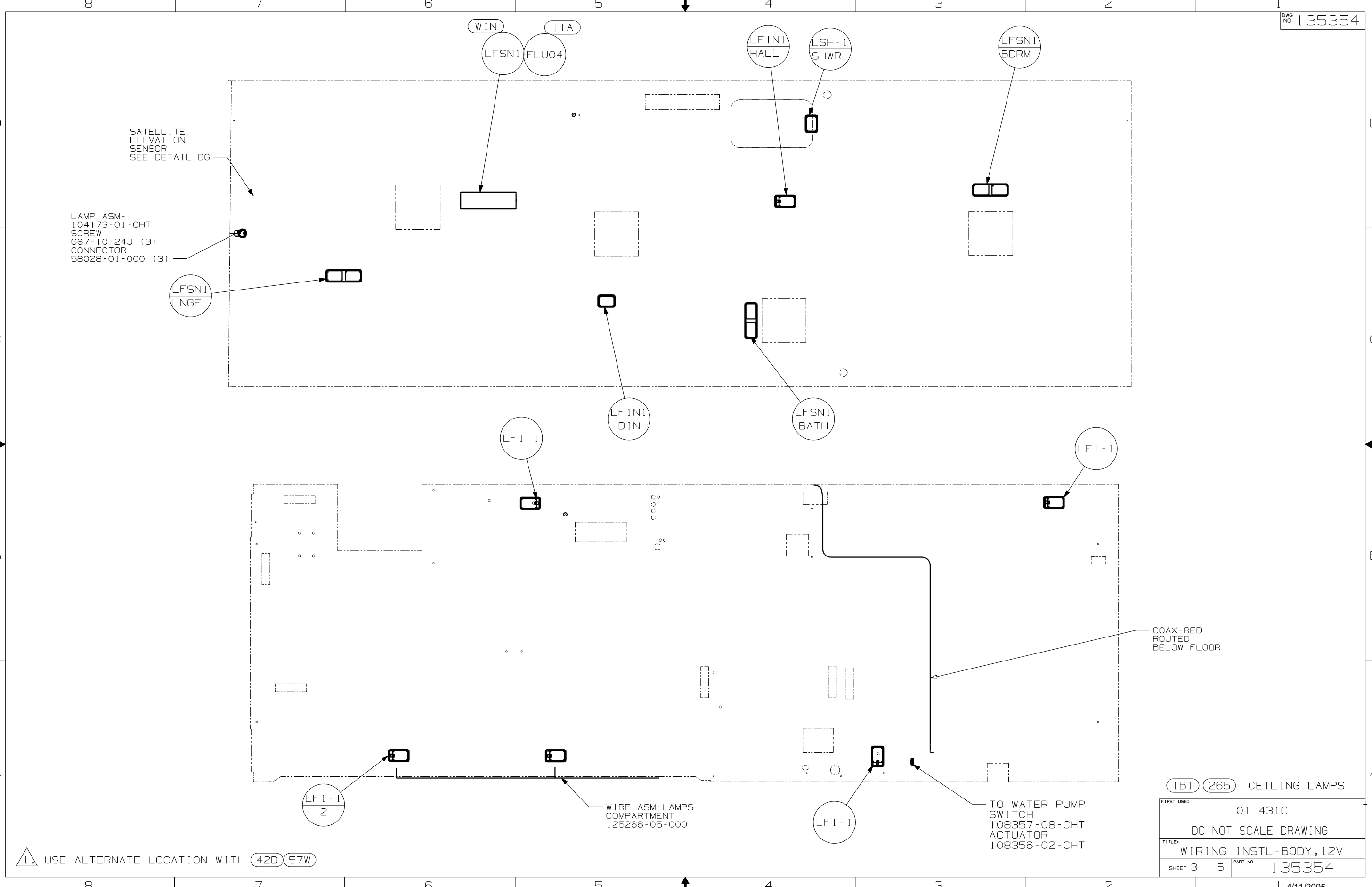
(1B1) CODES/STANDARDS USA

FIRST USED	01 431C
DO NOT SCALE DRAWING	
TITLE	WIRING INSTL-BODY,12V
SHEET 2 5	PART NO 135354

- 9. SEE CABINET ASM-TV, SIDE FOR ADDITIONAL INFORMATION.
- 8. NOT USED WITH (42D) & (57W).
- 7. WITH FRONT ENTERTAINMENT CENTER, SEE WIRING INSTL-TV/VCR, FRONT FOR MORE INFORMATION.
- 6. SEE WIRING INSTL-TV/VCR SIDE FOR ADDITIONAL INFORMATION.
- 5. MOUNT SWITCH AND SPACER TO BLOCK ON JAMB. ADJUST HEIGHT TO MATCH MAGNET.
- 4. MOUNT MAGNET USING PILOT HOLES IN SCREEN DOOR FRAME. MOUNT WITH MAGNET TOWARDS SWITCH.
- 3. WIRE INTEGRAL TO ROOF.
- 2. WIRE INTEGRAL TO SIDEWALL.

1. ALL WIRES TO BE SECURED WITH CLAMP 10495-01-000 OR CLIP 80734-01-000 EVERY 600MM. USE SCREW G67-10-12B UNLESS OTHERWISE SPECIFIED.

(57W) DELUXE ENTERTAINMENT SYSTEM
(42D) TV-25" W/VIDEO SELECTION SYS



LAMP ASM-
104173-01-CHT
SCREW
667-10-24J (3)
CONNECTOR
58028-01-000 (3)

SATELLITE
ELEVATION
SENSOR
SEE DETAIL D6

LFSN1
LNGE

WIN
LFSN1
FLU04
ITA

LFIN1
HALL
LSH-1
SHWR

LFSN1
BDRM

LFIN1
DIN

LFSN1
BATH

LF1-1

LF1-1

LF1-1
2

WIRE ASM-LAMPS
COMPARTMENT
125266-05-000

LF1-1

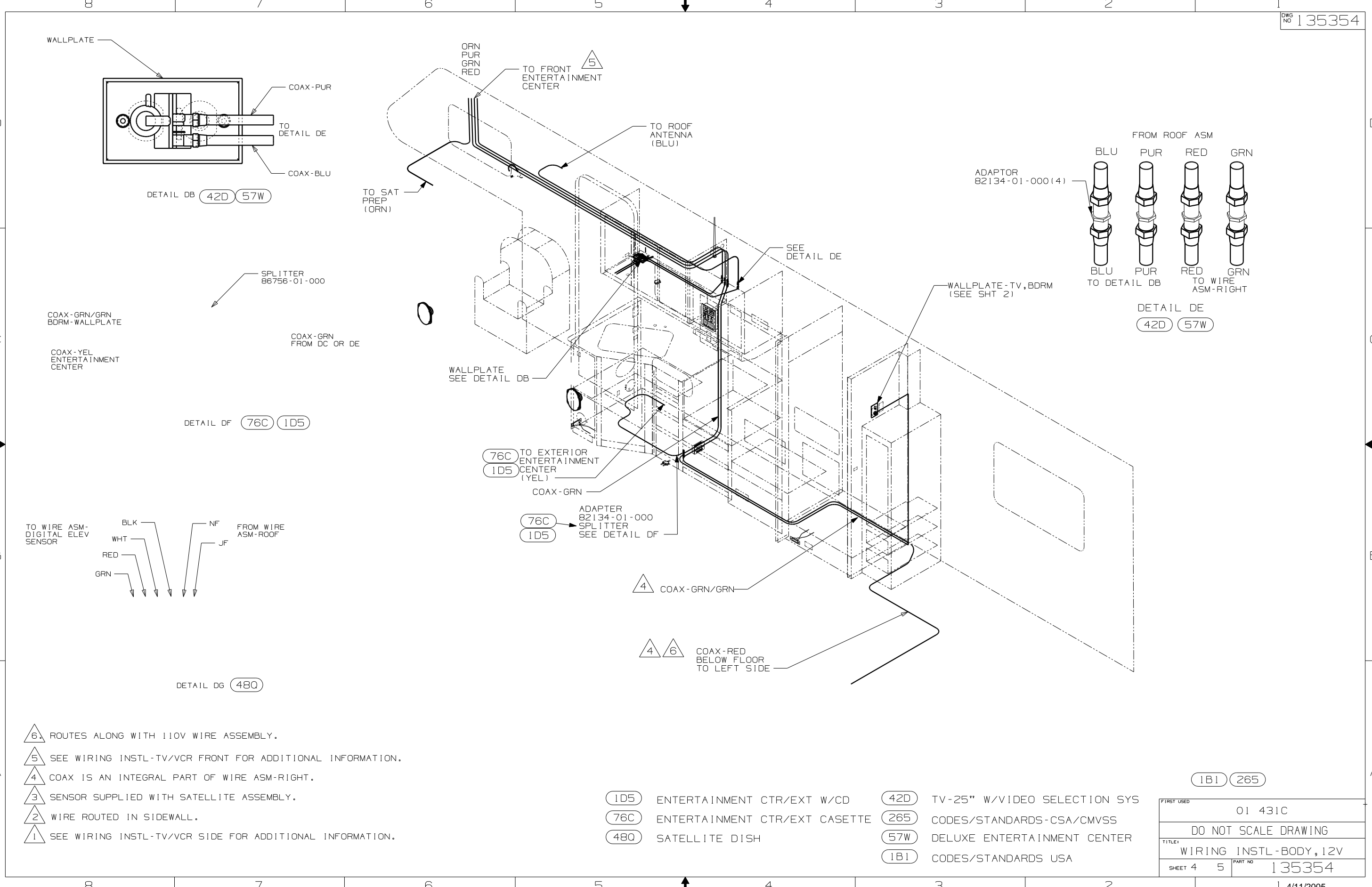
TO WATER PUMP
SWITCH
108357-08-CHT
ACTUATOR
108356-02-CHT

COAX-RED
ROUTED
BELOW FLOOR

(1B1) (265) CEILING LAMPS

USE ALTERNATE LOCATION WITH (42D) (57W)

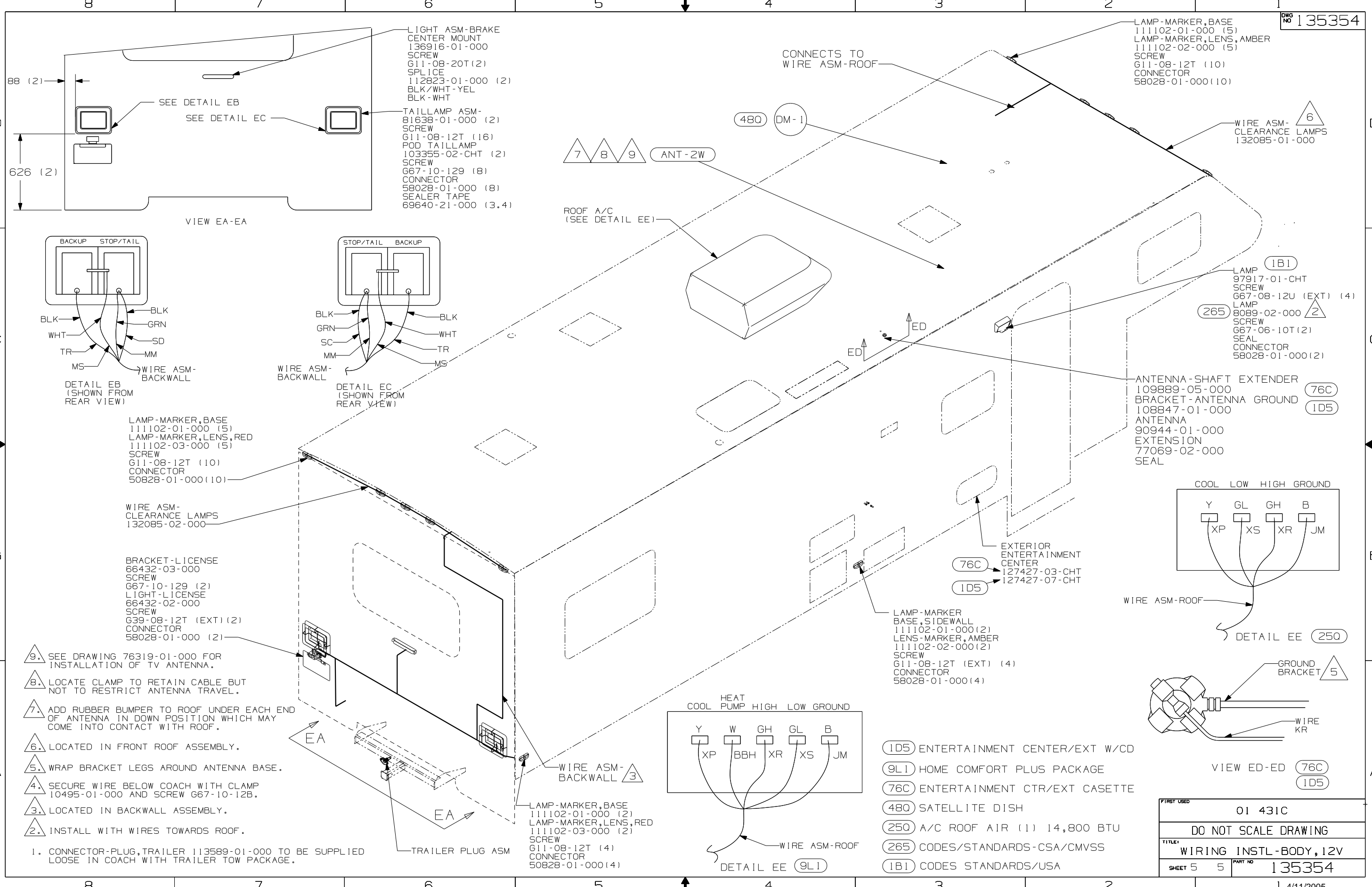
FIRST USED	01 431C	
DO NOT SCALE DRAWING		
TITLE	WIRING INSTL-BODY, 12V	
SHEET 3	5	PART NO 135354



- △ 6. ROUTES ALONG WITH 110V WIRE ASSEMBLY.
- △ 5. SEE WIRING INSTL-TV/VCR FRONT FOR ADDITIONAL INFORMATION.
- △ 4. COAX IS AN INTEGRAL PART OF WIRE ASM-RIGHT.
- △ 3. SENSOR SUPPLIED WITH SATELLITE ASSEMBLY.
- △ 2. WIRE ROUTED IN SIDEWALL.
- △ 1. SEE WIRING INSTL-TV/VCR SIDE FOR ADDITIONAL INFORMATION.

- (1D5) ENTERTAINMENT CTR/EXT W/CD
- (76C) ENTERTAINMENT CTR/EXT CASSETTE
- (48Q) SATELLITE DISH
- (42D) TV-25" W/VIDEO SELECTION SYS
- (265) CODES/STANDARDS-CSA/CMVSS
- (57W) DELUXE ENTERTAINMENT CENTER
- (1B1) CODES/STANDARDS USA

(1B1) (265)	
FIRST USED	01 431C
DO NOT SCALE DRAWING	
TITLE:	WIRING INSTL-BODY, 12V
SHEET 4 5	PART NO 135354



88 (2)

626 (2)

VIEW EA-EA

BACKUP STOP/TAIL

STOP/TAIL BACKUP

BLK WHT TR MS

GRN SD MM

WIRE ASM-BACKWALL

DETAIL EB (SHOWN FROM REAR VIEW)

DETAIL EC (SHOWN FROM REAR VIEW)

BRACKET-LICENSE 66432-03-000

SCREW 667-10-129 (2)

LIGHT-LICENSE 66432-02-000

SCREW 639-08-12T (EXT) (2)

CONNECTOR 58028-01-000 (2)

SEE DRAWING 76319-01-000 FOR INSTALLATION OF TV ANTENNA.

LOCATE CLAMP TO RETAIN CABLE BUT NOT TO RESTRICT ANTENNA TRAVEL.

ADD RUBBER BUMPER TO ROOF UNDER EACH END OF ANTENNA IN DOWN POSITION WHICH MAY COME INTO CONTACT WITH ROOF.

LOCATED IN FRONT ROOF ASSEMBLY.

WRAP BRACKET LEGS AROUND ANTENNA BASE.

SECURE WIRE BELOW COACH WITH CLAMP 10495-01-000 AND SCREW 667-10-12B.

LOCATED IN BACKWALL ASSEMBLY.

INSTALL WITH WIRES TOWARDS ROOF.

CONNECTOR-PLUG, TRAILER 113589-01-000 TO BE SUPPLIED LOOSE IN COACH WITH TRAILER TOW PACKAGE.

LIGHT ASM-BRAKE CENTER MOUNT 136916-01-000

SCREW 611-08-20T (2)

SPLICE 112823-01-000 (2)

BLK/WHT-YEL BLK-WHT

TAILLAMP ASM-81638-01-000 (2)

SCREW 611-08-12T (16)

POD TAILLAMP 103355-02-CHT (2)

SCREW 667-10-129 (8)

CONNECTOR 58028-01-000 (8)

SEALER TAPE 69640-21-000 (3.4)

LAMP-MARKER, BASE 111102-01-000 (5)

LAMP-MARKER, LENS, AMBER 111102-02-000 (5)

SCREW 611-08-12T (10)

CONNECTOR 58028-01-000 (10)

WIRE ASM-CLEARANCE LAMPS 132085-01-000

LAMP 97917-01-CHT

SCREW 667-08-12U (EXT) (4)

LAMP 8089-02-000

SCREW 667-06-10T (2)

SEAL

CONNECTOR 58028-01-000 (2)

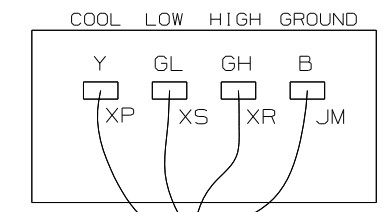
ANTENNA-SHAFT EXTENDER 109889-05-000

BRACKET-ANTENNA GROUND 108847-01-000

ANTENNA 90944-01-000

EXTENSION 77069-02-000

SEAL



EXTERIOR ENTERTAINMENT CENTER

76C 127427-03-CHT

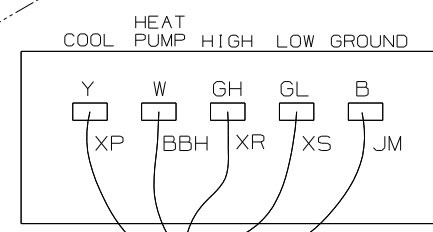
1D5 127427-07-CHT

LAMP-MARKER BASE, SIDEWALL 111102-01-000 (2)

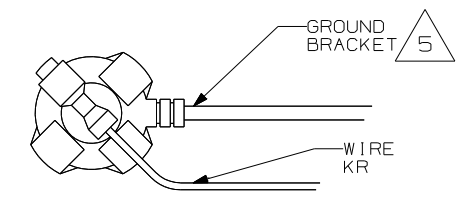
LENS-MARKER, AMBER 111102-02-000 (2)

SCREW 611-08-12T (EXT) (4)

CONNECTOR 58028-01-000 (4)



- 1D5 ENTERTAINMENT CENTER/EXT W/CD
- 9L1 HOME COMFORT PLUS PACKAGE
- 76C ENTERTAINMENT CTR/EXT CASSETTE
- 48Q SATELLITE DISH
- 25Q A/C ROOF AIR (1) 14,800 BTU
- 265 CODES/STANDARDS-CSA/CMVSS
- 1B1 CODES STANDARDS/USA



VIEW ED-ED 76C 1D5

FIRST USED	01 431C	
DO NOT SCALE DRAWING		
TITLE	WIRING INSTL-BODY, 12V	
SHEET 5	5	PART NO 135354