



DANGER

Danger of electrical shock, burns or death. Always remove all power sources before attempting any repair, service or diagnostic work. Power can be present from shore power, generator, inverter or battery. All power sources must be disabled and secured before performing any service.

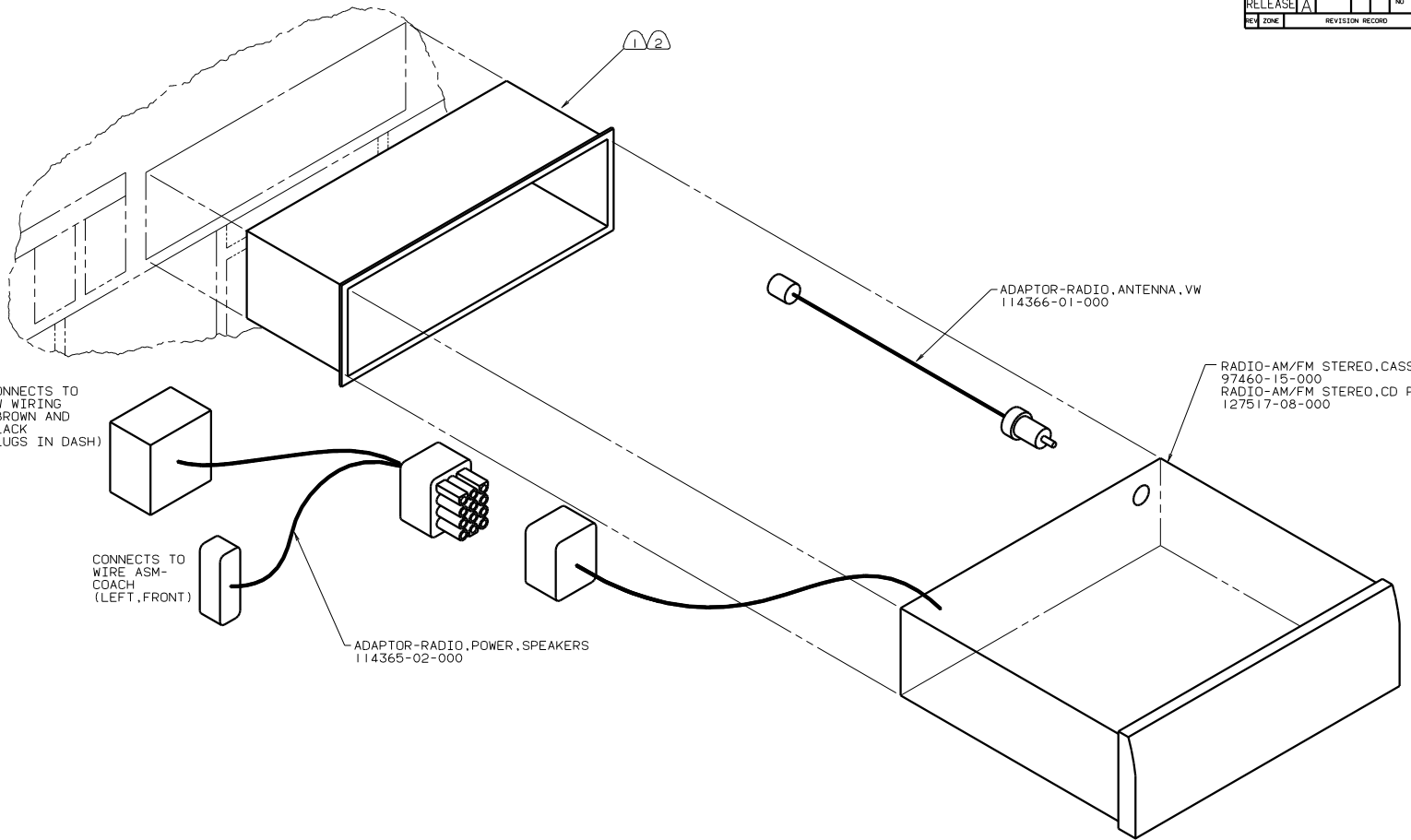


CAUTION

If you lack the skills, tools or equipment to perform diagnostic or repair work leave such work to an authorized Winnebago Industries dealer or other qualified shop.

DWG NO	SHT
135297-01	1
135297-02	2
135297-03	3
135297-04	4
135297-05	5
135297-06	6
135297-07	7&8

RELEASE	REV	DATE	BY	CHKD	NO	135297
REV	ZONE	REVISION RECORD			DATE	DTFR-ORIG



CONNECTS TO
VW WIRING
(BROWN AND
BLACK
PLUGS IN DASH)

CONNECTS TO
WIRE ASM-
COACH
(LEFT, FRONT)

ADAPTOR-RADIO, POWER, SPEAKERS
114365-02-000

ADAPTOR-RADIO, ANTENNA, VW
114366-01-000

RADIO-AM/FM STEREO, CASS DIN (24N)
97460-15-000
RADIO-AM/FM STEREO, CD PLAYER (19W)
127517-08-000

(24N) RADIO-AM/FM/CASSETTE
(19W) RADIO-AM/FM STEREO CD PLAYER

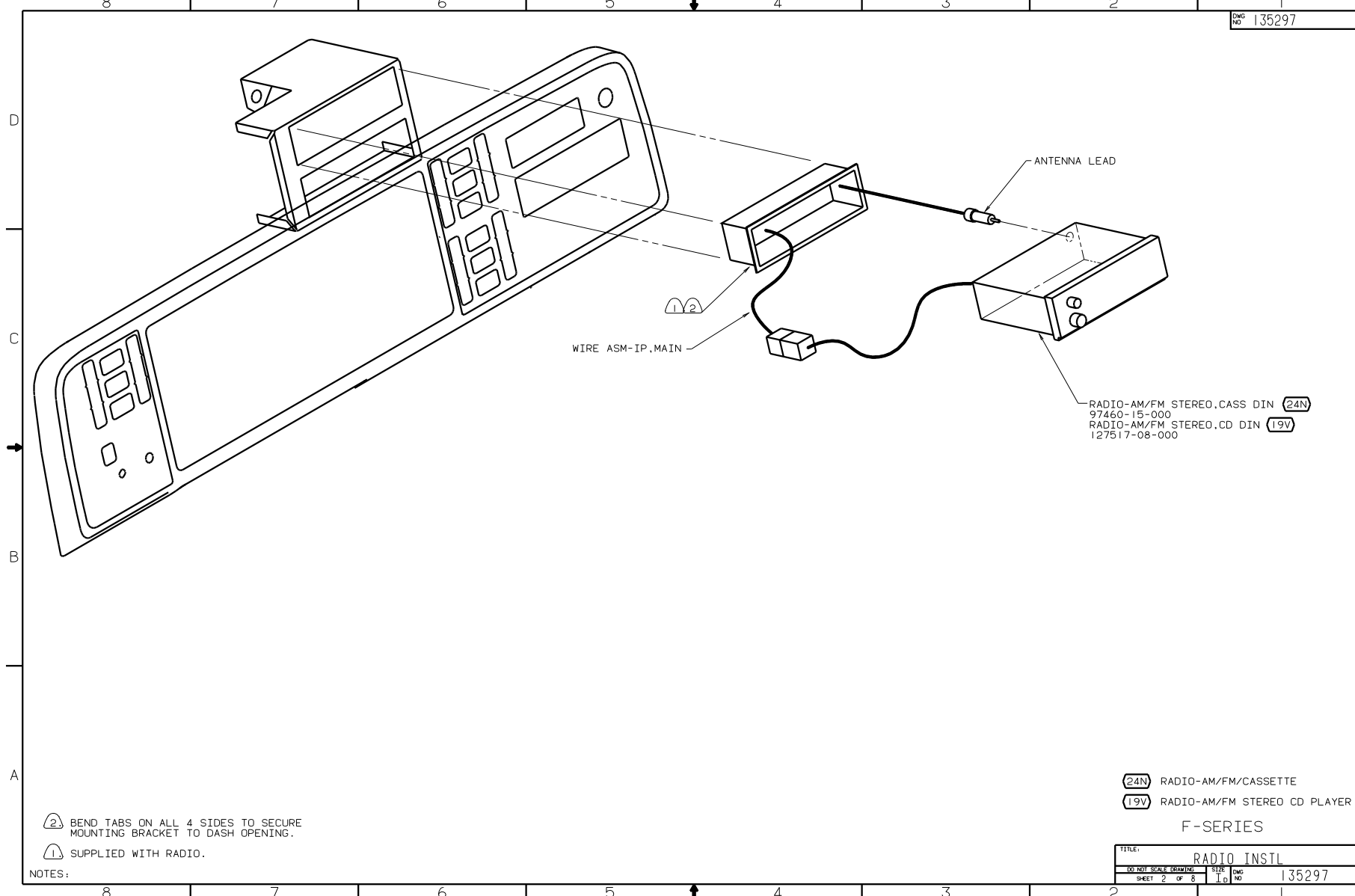
H-BODY & B-VAN

② BEND TABS ON ALL 4 SIDES TO SECURE
MOUNTING BRACKET TO DASH OPENING.

① SUPPLIED WITH RADIO.

NOTES:

		01 MOTORHOMES																							
		<table border="1"> <tr> <td>DTFR</td> <td>DATE</td> <td>UNSPECIFIED TOLERANCES ARE:</td> <td>MATERIAL</td> </tr> <tr> <td>CMR</td> <td>DATE</td> <td>WHOLE DIM (X, Y) ±</td> <td></td> </tr> <tr> <td>P E</td> <td>DATE</td> <td>ONE-PLACE (X, XX) ±</td> <td></td> </tr> <tr> <td>M E</td> <td>DATE</td> <td>TWO-PLACE (X, XX) ±</td> <td></td> </tr> <tr> <td>DNR</td> <td>DATE</td> <td>ANGLE</td> <td></td> </tr> <tr> <td></td> <td>DATE</td> <td>THIRD ANGLE PROJECTION</td> <td></td> </tr> </table>		DTFR	DATE	UNSPECIFIED TOLERANCES ARE:	MATERIAL	CMR	DATE	WHOLE DIM (X, Y) ±		P E	DATE	ONE-PLACE (X, XX) ±		M E	DATE	TWO-PLACE (X, XX) ±		DNR	DATE	ANGLE			DATE
DTFR	DATE	UNSPECIFIED TOLERANCES ARE:	MATERIAL																						
CMR	DATE	WHOLE DIM (X, Y) ±																							
P E	DATE	ONE-PLACE (X, XX) ±																							
M E	DATE	TWO-PLACE (X, XX) ±																							
DNR	DATE	ANGLE																							
	DATE	THIRD ANGLE PROJECTION																							
LAYOUT NO: G-GEN TITLE: RADIO INSTL		DIA # SCALE: NONE TO DIM SCALE: DIMENSIONS IN MILLIMETERS SHEET 1 OF 8 DWG NO: 135297																							



- ② BEND TABS ON ALL 4 SIDES TO SECURE MOUNTING BRACKET TO DASH OPENING.
- ① SUPPLIED WITH RADIO.

NOTES:

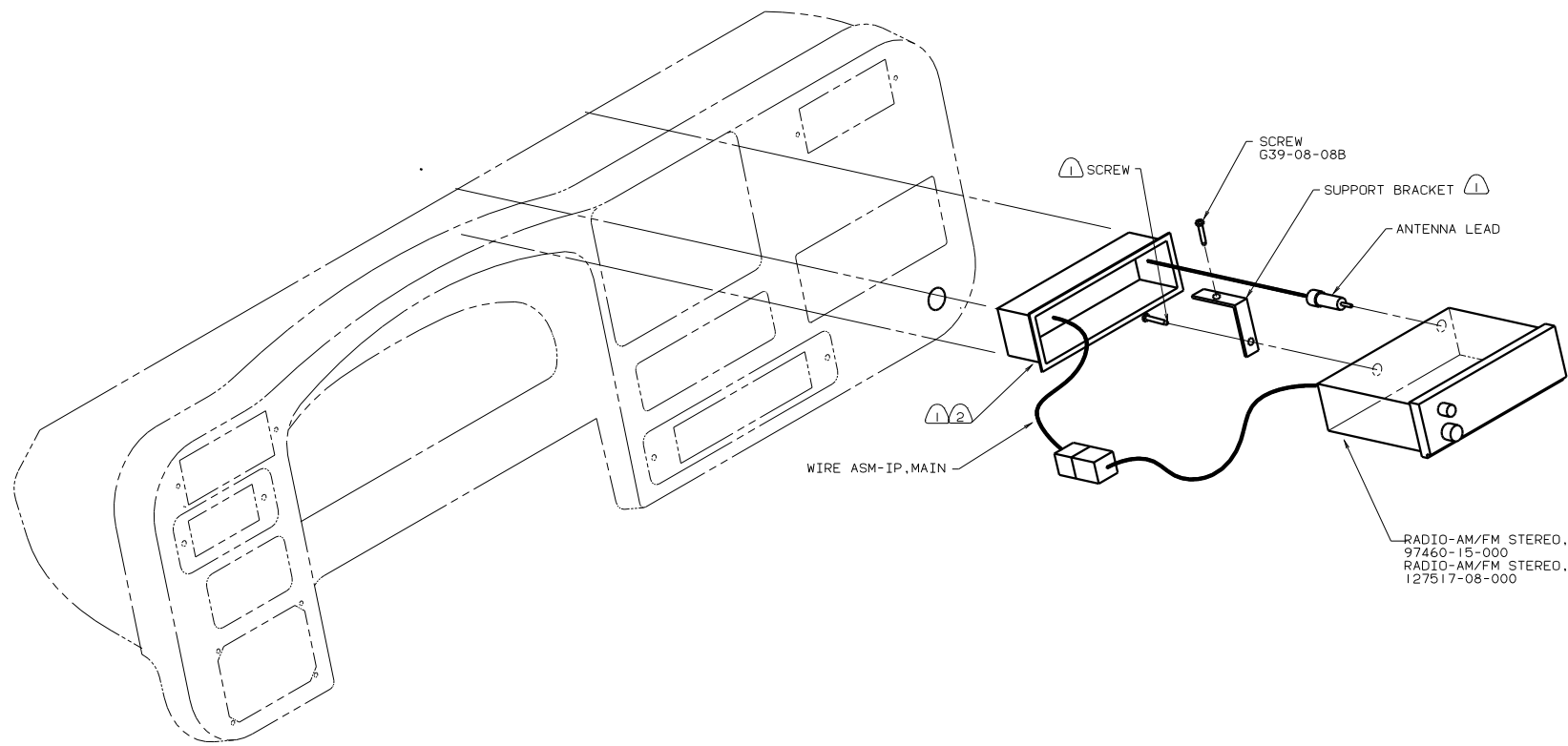
(24N) RADIO-AM/FM STEREO, CASS DIN
 97460-15-000
 (19V) RADIO-AM/FM STEREO, CD DIN
 127517-08-000

(24N) RADIO-AM/FM/CASSETTE
 (19V) RADIO-AM/FM STEREO CD PLAYER

F-SERIES

TITLE: RADIO INSTL	
DO NOT SCALE DIMENSIONS	SHEET 2 OF 8
DWG NO 135297	

D
C
B
A



SCREW
SCREW 639-08-08B
SUPPORT BRACKET ①
ANTENNA LEAD
WIRE ASM-IP.MAIN
RADIO-AM/FM STEREO,CASS DIN ②4N
97460-15-000
RADIO-AM/FM STEREO,CD DIN ①9V
127517-08-000

② BEND TABS ON ALL 4 SIDES TO SECURE MOUNTING BRACKET TO DASH OPENING.
① SUPPLIED WITH RADIO.

NOTES:

①9V RADIO-AM/FM STEREO CD PLAYER
②4N RADIO-AM/FM/CASSETTE

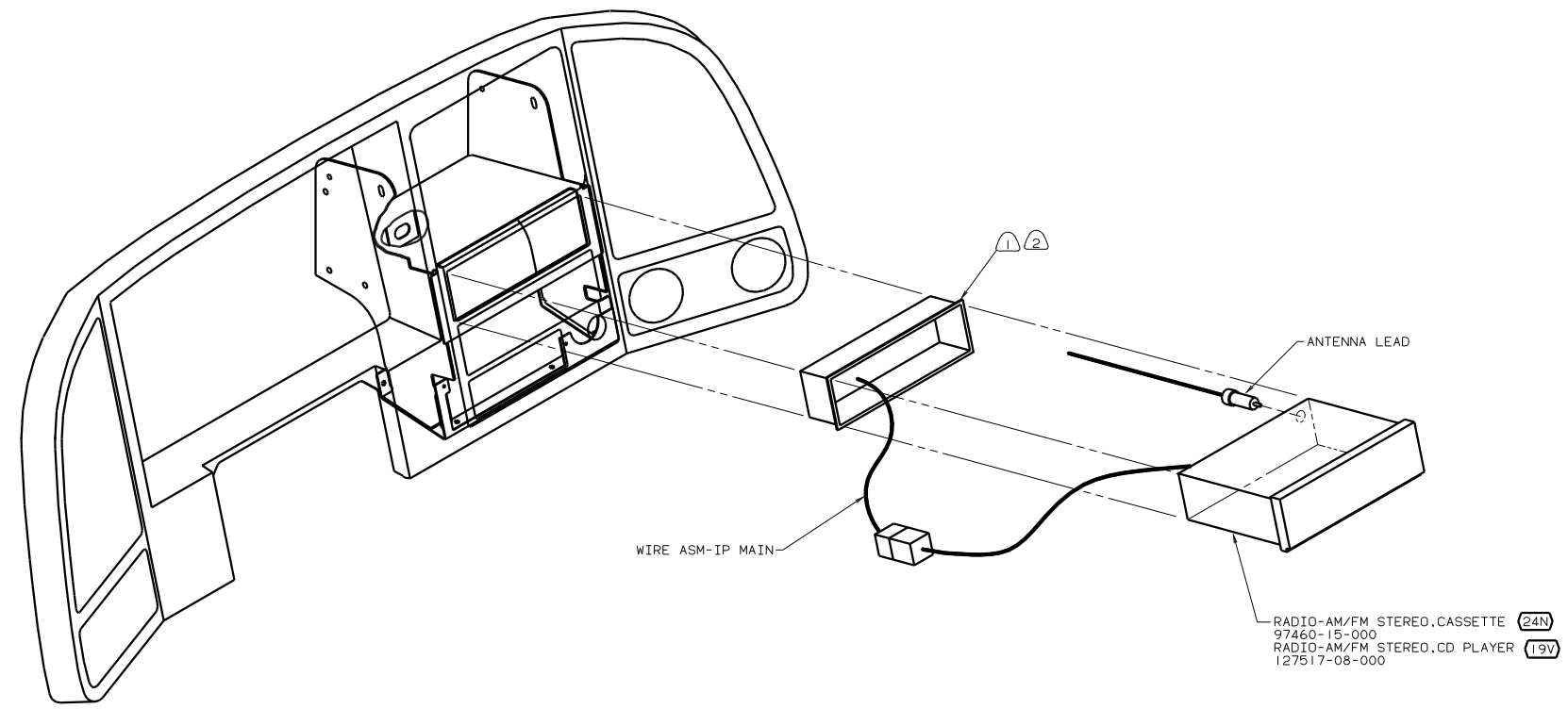
G-SERIES

TITLE: RADIO INSTL	
DO NOT SCALE DIMENSIONS	SIZE I.D.
SHEET 3 OF 8	DWG NO 135297

8 7 6 5 4 3 2 1

8 7 6 5 4 3 2 1

D
C
B
A



WIRE ASM-IP MAIN

ANTENNA LEAD

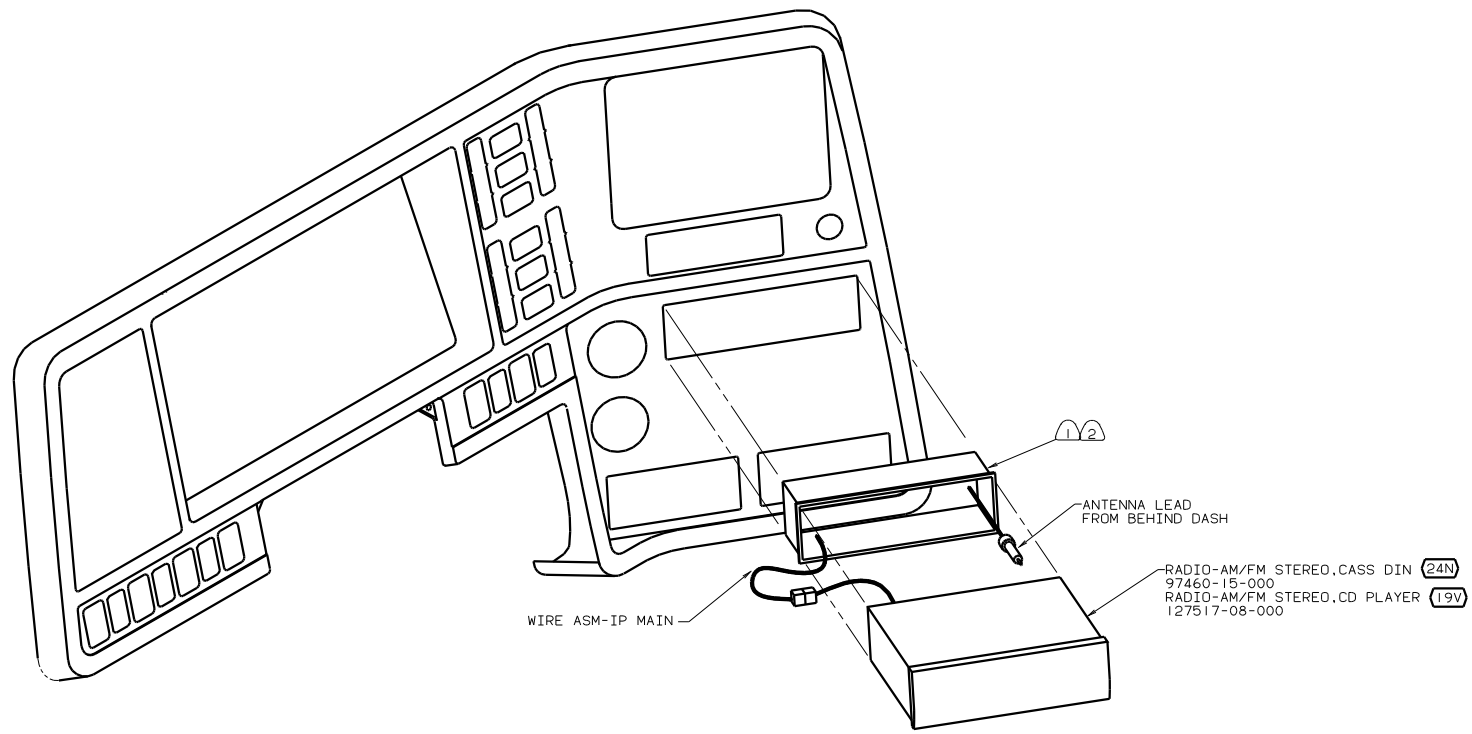
RADIO-AM/FM STEREO CASSETTE (24N)
 97460-15-000
 RADIO-AM/FM STEREO CD PLAYER (19V)
 127517-08-000

- NOTES:
- (2) BEND TABS ON ALL 4 SIDES TO SECURE MOUNTING BRACKET TO DASH OPENING.
 - (1) SUPPLIED WITH RADIO.

(24N) RADIO-AM/FM/CASSETTE
 (19V) RADIO-AM/FM STEREO CD PLAYER
 L SERIES

TITLE:		RADIO INSTL	
DO NOT SCALE DIMENSIONS	SCALE	DWG NO	135297
SHEET 4	OF 8	I.D.	

8 7 6 5 4 3 2 1

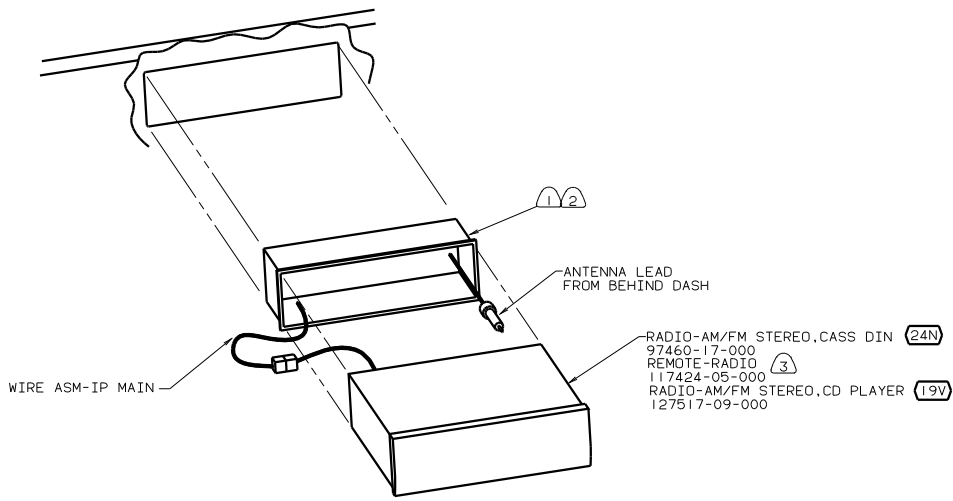


- NOTES:
- ② BEND TABS ON ALL 4 SIDES TO SECURE MOUNTING BRACKET TO DASH OPENING.
 - ① SUPPLIED WITH RADIO.

- ②4N RADIO-AM/FM/CASSETTE
- ①9V RADIO-AM/FM STEREO CD PLAYER

P SERIES

TITLE:		RADIO INSTL	
DO NOT SCALE DRAWING	SIZE	DWG NO	135297
SHEET 5	OF 8	IG	

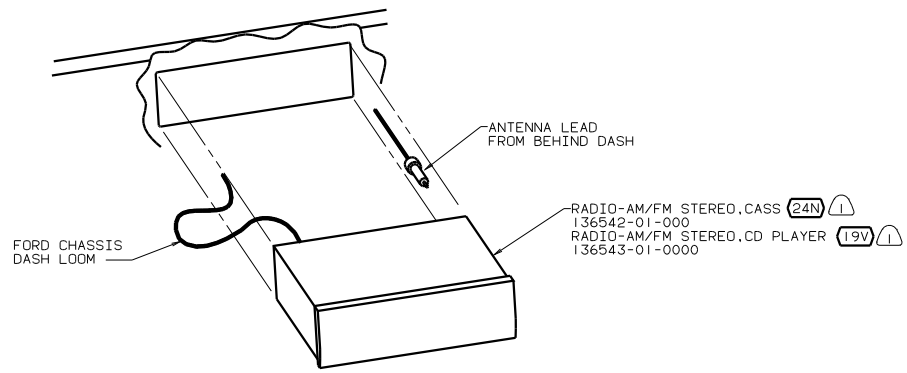


- NOTES:
- (3) REMOTE IS SUPPLIED WITH RADIO.
 - (2) BEND TABS ON ALL 4 SIDES TO SECURE MOUNTING BRACKET TO DASH OPENING.
 - (1) SUPPLIED WITH RADIO.

- (24N) RADIO-AM/FM/CASSETTE
- (19V) RADIO-AM/FM STEREO CD PLAYER

Q-SERIES

TITLE: RADIO INSTL	
DO NOT SCALE DRAWING	SIZE
SHEET 6 OF 8	DWG NO 135297

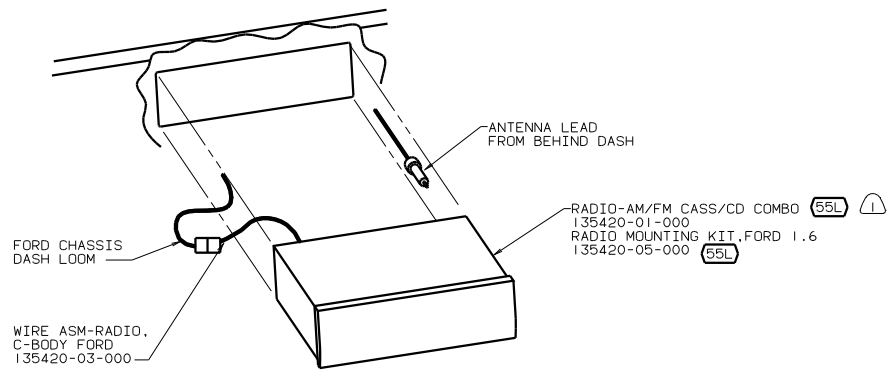


(1) SLIDE RADIO INTO FORD DASH OPENING ENGAGING T-RAIL ON BOTTOM OF RADIO UNTIL LOCKED IN PLACE.

NOTES:

(24N) RADIO-AM/FM/CASSETTE
 (19V) RADIO-AM/FM STEREO CD PLAYER
 300 & 400-SERIES
 (PRIOR TO APRIL)

TITLE:		RADIO INSTL	
DO NOT SCALE DRAWING	SHEET	DWG NO	135297
7	of 8		



FORD CHASSIS DASH LOOM

WIRE ASM-RADIO. C-BODY FORD 135420-03-000

ANTENNA LEAD FROM BEHIND DASH

RADIO-AM/FM CASS/CD COMBO 55L 1
135420-01-000
RADIO MOUNTING KIT, FORD 1.6
135420-05-000 55L

1 SLIDE RADIO INTO FORD DASH OPENING ENGAGING T-RAIL ON BOTTOM OF RADIO UNTIL LOCKED IN PLACE.

NOTES:

55L RADIO-AM/FM CASSETTE/CD
300 & 400-SERIES FORD
(RLC APRIL)

TITLE: RADIO INSTL	
DO NOT SCALE DRAWING	SIZE
SHEET 8 OF 8	DWG NO 135297