



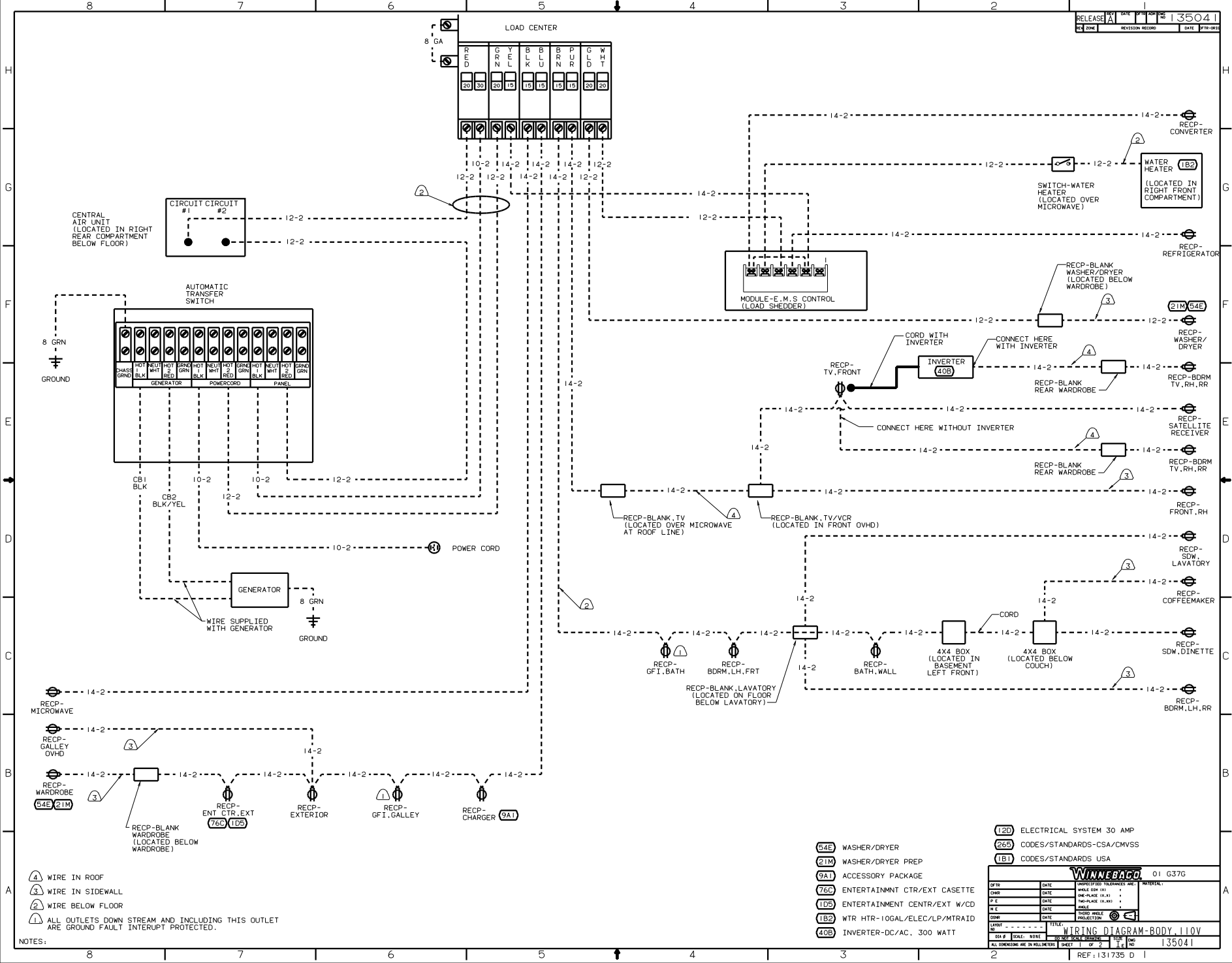
DANGER

Danger of electrical shock, burns or death. Always remove all power sources before attempting any repair, service or diagnostic work. Power can be present from shore power, generator, inverter or battery. All power sources must be disabled and secured before performing any service.



CAUTION

If you lack the skills, tools or equipment to perform diagnostic or repair work leave such work to an authorized Winnebago Industries dealer or other qualified shop.



- ④ WIRE IN ROOF
- ③ WIRE IN SIDEWALL
- ② WIRE BELOW FLOOR

① ALL OUTLETS DOWN STREAM AND INCLUDING THIS OUTLET ARE GROUND FAULT INTERRUPT PROTECTED.

NOTES:

- ①20 ELECTRICAL SYSTEM 30 AMP
- ②65 CODES/STANDARDS-CSA/CMVSS
- ①81 CODES/STANDARDS USA
- ⑤4E WASHER/DRYER
- ②1M WASHER/DRYER PREP
- ⑨A1 ACCESSORY PACKAGE
- ⑦6C ENTERTAINMENT CTR/EXT CASSETTE
- ①D5 ENTERTAINMENT CENTR/EXT W/CD
- ①B2 WTR HTR-LOGAL/ELEC/LP/MTRAI
- ④0B INVERTER-DC/AC. 300 WATT

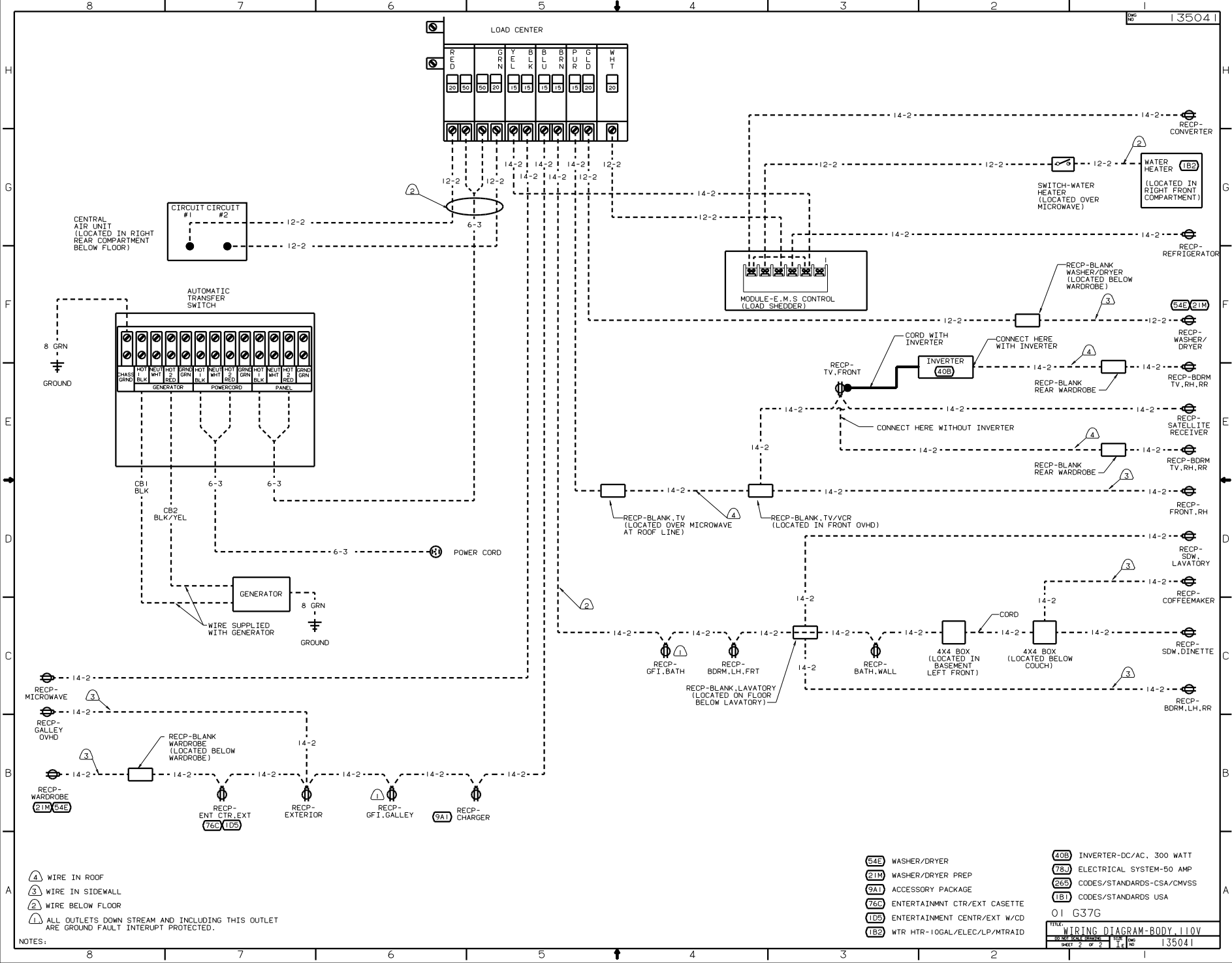
①20 ELECTRICAL SYSTEM 30 AMP
②65 CODES/STANDARDS-CSA/CMVSS
①81 CODES/STANDARDS USA

WINNEBAGO O1 G37G

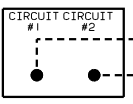
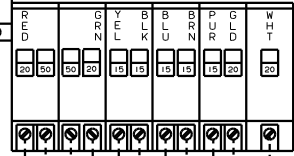
QTY	DATE	UNAPPROVED TOLERANCES ARE:	MATERIAL
CMP	DATE	WHOLE OR 1/8"	
P/E	DATE	ONE-PLACE (1/32)	
D/E	DATE	TWO-PLACE (1/16)	
M/E	DATE	THREE-PLACE	
CORR	DATE	INDIC. W/ALL MODIFICATIONS	

LAYOUT _____ TITLE: WIRING DIAGRAM-BODY 110V
REV # _____ SCALE: NONE TO THE SCALE DRAWING FILE NO: _____
ALL DIMENSIONS ARE IN MILLIMETERS SHEET 1 OF 2 DATE: 1/8/80

REF: 131735 D I 135041

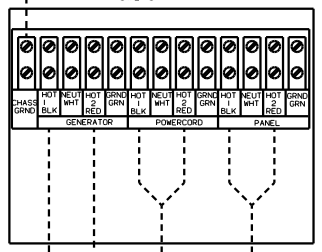


LOAD CENTER



CENTRAL AIR UNIT
(LOCATED IN RIGHT REAR COMPARTMENT BELOW FLOOR)

AUTOMATIC TRANSFER SWITCH



8 GRN
GROUND

CB1 BLK
CB2 BLK/YEL

GENERATOR

WIRE SUPPLIED WITH GENERATOR

8 GRN
GROUND

POWER CORD

- RECP-MICROWAVE
- RECP-GALLEY OVHD
- RECP-WARDROBE (21M) (54E)

RECP-BLANK WARDROBE (LOCATED BELOW WARDROBE)

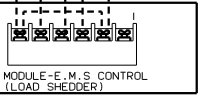
RECP-ENT CTR, EXT (76C) (1D5)

RECP-EXTERIOR

RECP-GFI, GALLEY

RECP-CHARGER (9A1)

- RECP-GFI, BATH
- RECP-BDRM, LH, FRT
- RECP-BLANK, LAVATORY (LOCATED ON FLOOR BELOW LAVATORY)
- RECP-BATH, WALL
- 4X4 BOX (LOCATED IN BASEMENT LEFT FRONT)
- 4X4 BOX (LOCATED BELOW COUCH)
- RECP-SDW, LAVATORY
- RECP-COFFEEMAKER
- RECP-SDW, DINETTE
- RECP-BDRM, LH, RR



SWITCH-WATER HEATER (LOCATED OVER MICROWAVE)

WATER HEATER (1B2) (LOCATED IN RIGHT FRONT COMPARTMENT)

RECP-BLANK WASHER/DRYER (LOCATED BELOW WARDROBE)

RECP-TV, FRONT

CORD WITH INVERTER

INVERTER (40B)

CONNECT HERE WITH INVERTER

RECP-BDRM TV, RH, RR

RECP-SATELLITE RECEIVER

RECP-BDRM TV, RH, RR

RECP-FRONT, RH

RECP-SDW, LAVATORY

RECP-COFFEEMAKER

RECP-SDW, DINETTE

RECP-BDRM, LH, RR

- 4 WIRE IN ROOF
 - 3 WIRE IN SIDEWALL
 - 2 WIRE BELOW FLOOR
- ALL OUTLETS DOWN STREAM AND INCLUDING THIS OUTLET ARE GROUND FAULT INTERRUPT PROTECTED.

- 54E WASHER/DRYER
- 21M WASHER/DRYER PREP
- 9A1 ACCESSORY PACKAGE
- 76C ENTERTAINMENT CTR/EXT CASSETTE
- 1D5 ENTERTAINMENT CTR/EXT W/CD
- 1B2 WTR HTR-10GAL/ELEC/LP/MTR/DAI
- 40B INVERTER-DC/AC, 300 WATT
- 783 ELECTRICAL SYSTEM-50 AMP
- 265 CODES/STANDARDS-CSA/CMVSS
- 1B1 CODES/STANDARDS USA