



DANGER

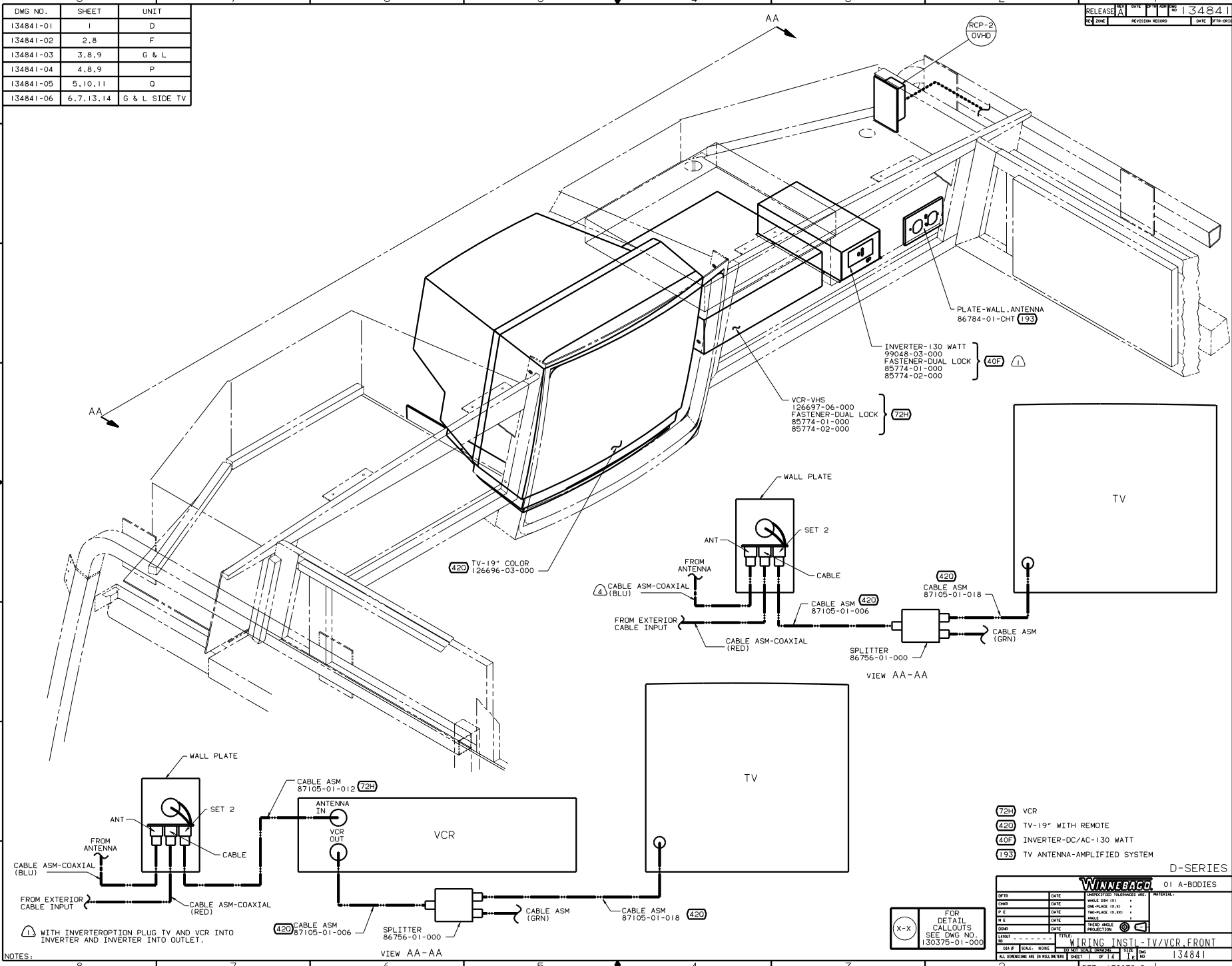
Danger of electrical shock, burns or death. Always remove all power sources before attempting any repair, service or diagnostic work. Power can be present from shore power, generator, inverter or battery. All power sources must be disabled and secured before performing any service.



CAUTION

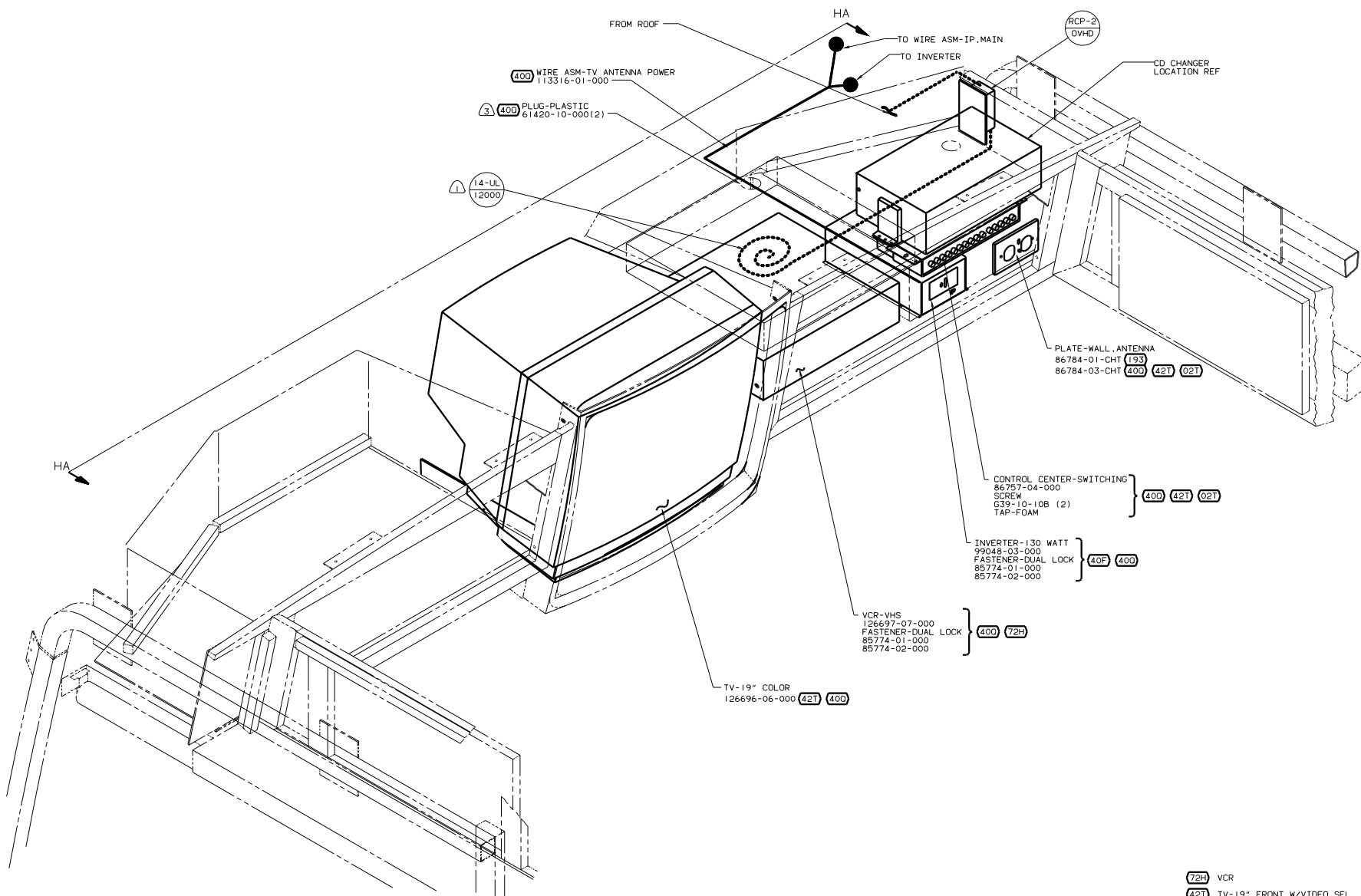
If you lack the skills, tools or equipment to perform diagnostic or repair work leave such work to an authorized Winnebago Industries dealer or other qualified shop.

DWG NO.	SHEET	UNIT
134841-01	I	D
134841-02	2,8	F
134841-03	3,8,9	G & L
134841-04	4,8,9	P
134841-05	5,10,11	O
134841-06	6,7,13,14	G & L SIDE TV



NOTES:
 ⚠ WITH INVERTER OPTION PLUG TV AND VCR INTO INVERTER AND INVERTER INTO OUTLET.

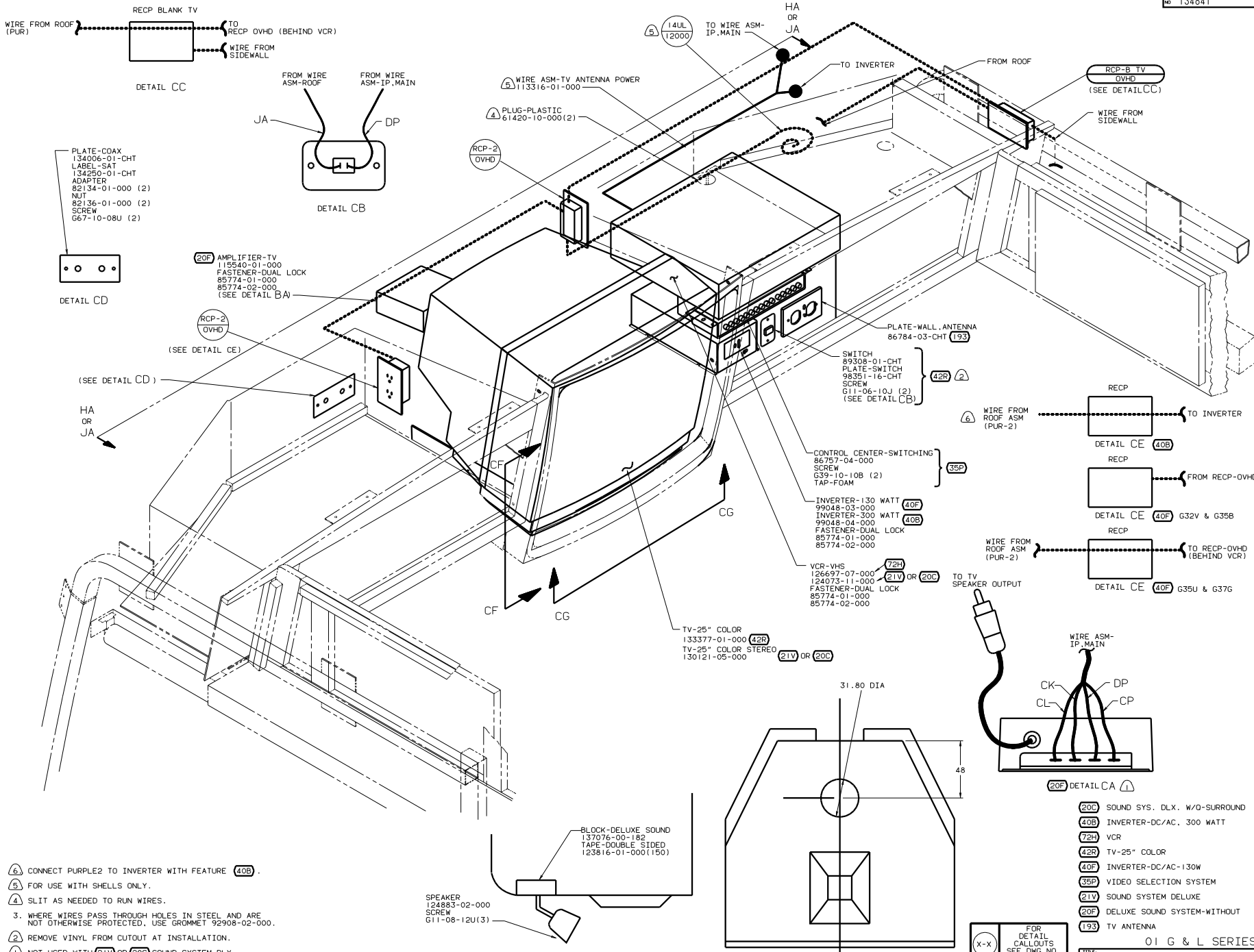
X-X FOR DETAIL CALLOUTS SEE DWG NO. 130375-01-000



- ③ SLIT AS NEEDED TO RUN WIRES.
- ② WHERE WIRES PASS THROUGH HOLES IN STEEL AND ARE NOT OTHERWISE PROTECTED, USE GROMMET 92908-02-000.
- ① 400 COIL EXCESS 110V WIRE IN OVHD.

- 72H VCR
- 42T TV-19" FRONT W/VIDEO SEL
- 400 TV-19" VCR-INVERTER/ANTENNA
- 40F INVERTER-DC/AC-130 WATT
- 193 TV ANTENNA-AMPLIFIED SYSTEM
- 02T TV/VCR EXP PREP W/SWIT & CAB

(X-X)
FOR
DETAIL
CALLOUTS
SEE DWG NO.
130375-01-000



- Ⓐ CONNECT PURPLE2 TO INVERTER WITH FEATURE 40B.
- Ⓑ FOR USE WITH SHELLS ONLY.
- Ⓓ SLIT AS NEEDED TO RUN WIRES.
- 3. WHERE WIRES PASS THROUGH HOLES IN STEEL AND ARE NOT OTHERWISE PROTECTED, USE GROMMET 92908-02-000.
- Ⓐ REMOVE VINYL FROM CUTOUT AT INSTALLATION.
- Ⓓ NOT USED WITH 21V OR 20C SOUND SYSTEM-DLX.

NOTES:

FOR
DETAIL
CALLOUTS
SEE DWG NO.
130375-01-000

FILE NO. 134841
SHEET 3 OF 14

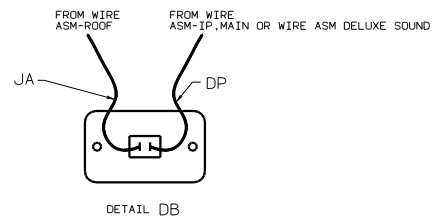
- 20C SOUND SYS. DLX. W/O-SURROUND
- 40B INVERTER-DC/AC. 300 WATT
- 72H VCR
- 42R TV-25" COLOR
- 40F INVERTER-DC/AC-130W
- 35P VIDEO SELECTION SYSTEM
- 21V SOUND SYSTEM DELUXE
- 20F DELUXE SOUND SYSTEM-WITHOUT
- 193 TV ANTENNA

01 G & L SERIES

WIRING INSTL - TV/VCR FRONT
134841

VIEW CF-CF 20C

VIEW CG-CG 20C



- 20F 42R AMPLIFIER-TV
115540-01-000
FASTENER-DUAL LOCK
85774-01-000
85774-02-000
(SEE DETAIL DA)
- PLATE-COAX
134006-01-CHT
LABEL-SAT
134250-01-CHT
ADAPTER
82134-01-000 (2)
NUT
82136-01-000 (2)
SCREW
667-10-08U (2)

4 PLUG-PLASTIC
61420-10-000 (2)

- INVERTER-300 WATT
99048-04-000
FASTENER-DUAL LOCK
85774-01-000
85774-02-000

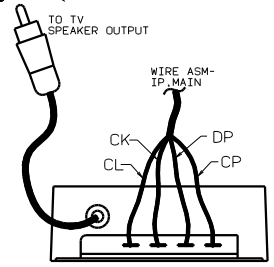
PLATE-WALL, ANTENNA
86784-03-CHT 193

- SWITCH
89308-01-CHT
PLATE-SWITCH
98351-09-CHT
SCREW
G11-06-10J (2)
(SEE DETAIL DB)

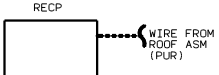
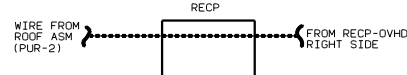
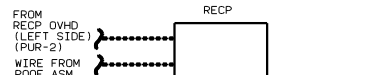
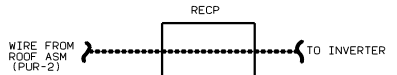
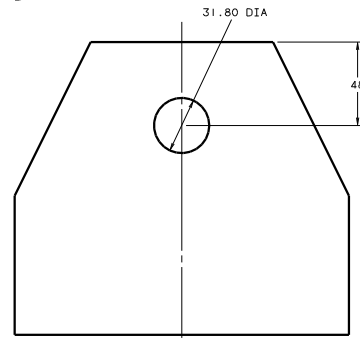
- CONTROL CENTER-SWITCHING
86787-04-000
SCREW
G39-10-10B (2)
TAP-FOAM

- VCR-VHS
126697-07-000
124073-11-000
FASTENER-DUAL LOCK
85774-01-000
85774-02-000

- TV-25" COLOR
133377-01-000 42B
- TV-25" COLOR STEREO
130121-05-000 21V OR 20C



20F DETAIL DA 1

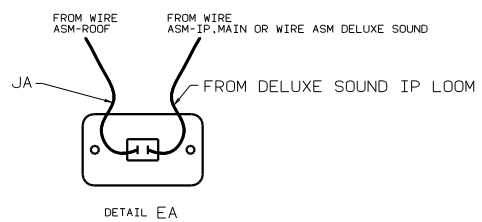
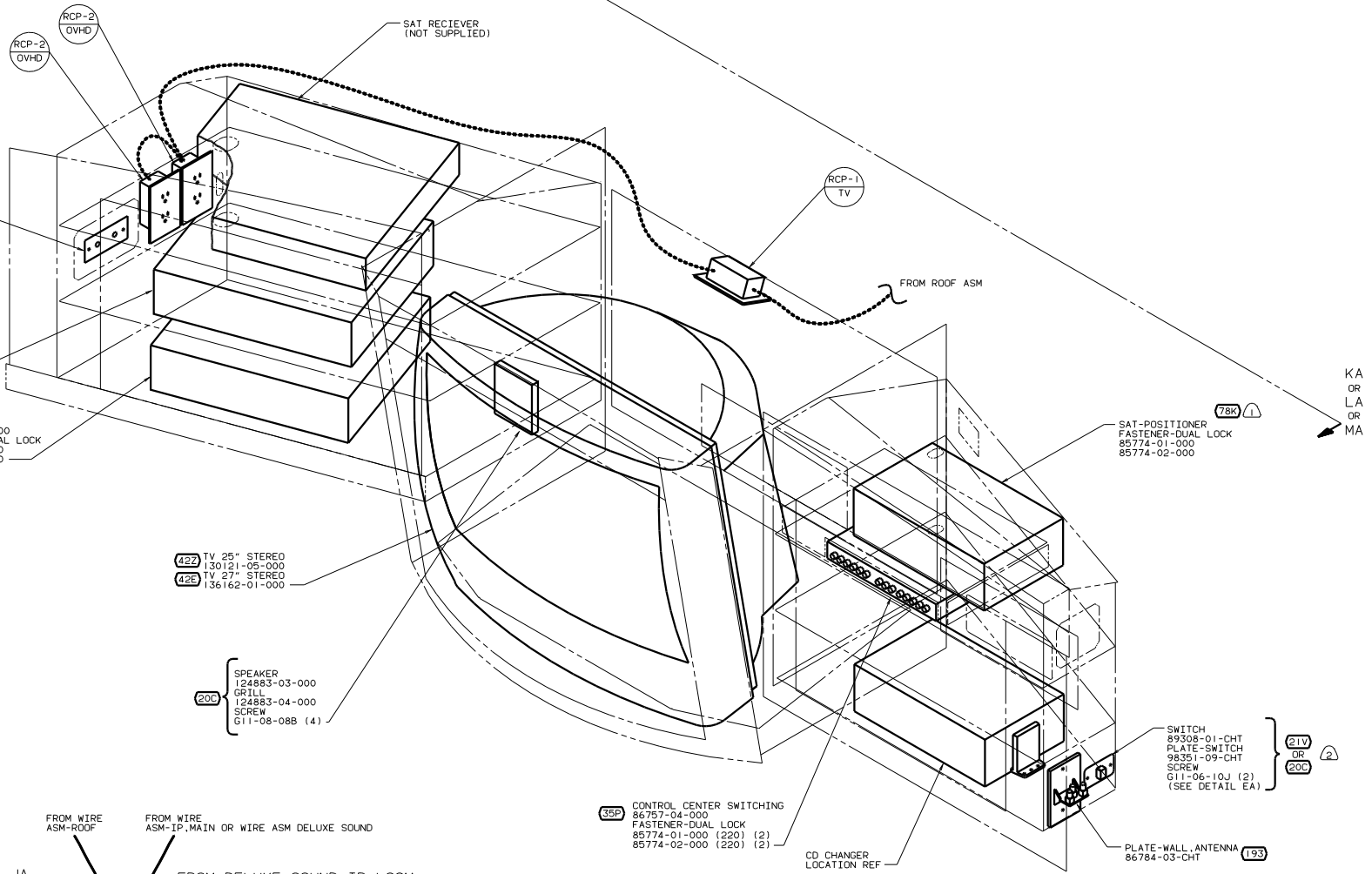


- NOTES:
5. CONNECT PURPLE-2 TO INVERTER WITH FEATURE 40B.
 4. SLIT AS NEEDED TO RUN WIRES.
 3. WHERE WIRES PASS THROUGH HOLES IN STEEL AND ARE NOT OTHERWISE PROTECTED, USE GROMMET 92908-02-000.
 2. REMOVE VINYL FROM CUTOUT AT INSTALLATION.
 1. NOT USED WITH 21V OR 20C SOUND SYSTEM-DLX.

- 20C SOUND SYS. DLX. W/O-SURROUND
 - 79J INVERTER/CHARGER-1,500 WATT
 - 40B INVERTER-DC/AC, 300 WATT
 - 72H VCR
 - 42R TV-25" COLOR
 - 35P VIDEO SELECTION SYSTEM
 - 21V SOUND SYSTEM DELUXE
 - 20F DELUXE SOUND SYSTEM-WITHOUT
 - 193 TV ANTENNA
- 01 P-SERIES

FOR
DETAIL
CALLOUTS
SEE DWG NO.
130375-01-000

KA
OR
LA
OR
MA

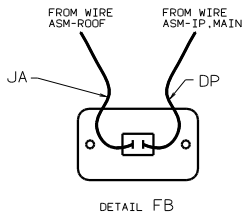
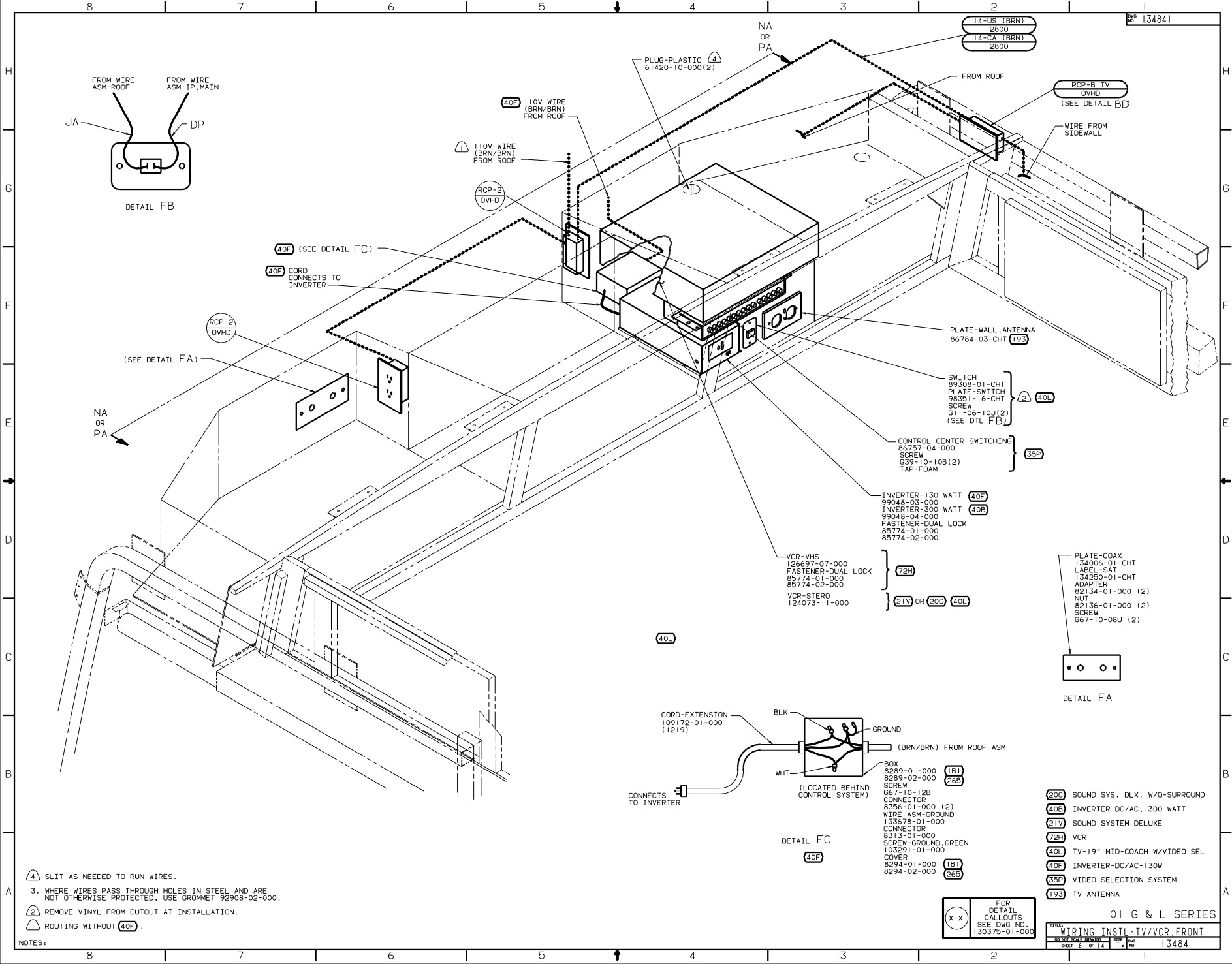


- 20C SOUND SYS. DLX. W/O-SURROUND
- 21V SOUND SYSTEM DELUXE
- 42E TV-27" COLOR STEREO W/REMOTE
- 25F DIGITAL VIDEO DISC PLAYER
- 78K SATELLITE DISH-AUTOMATIC
- 72M VCR-STEREO
- 42Z TV-25" COLOR STEREO
- 35P VIDEO SELECTION SYSTEM
- 193 TV ANTENNA

2 ADVANTAGE UNITS ONLY.

1 SEE WIRING INSTL-BODY FOR ADDITIONAL INFORMATION.

FOR
DETAIL
CALLOUTS
SEE DWG NO.
130375-01-000



DETAIL FB

40F (SEE DETAIL FC)

40F CORD CONNECTS TO INVERTER

RCP-2 OVHD

(SEE DETAIL FA)

NA OR PA

PLUG-PLASTIC 61420-10-000(2)

40F 110V WIRE (BRN/BRN) FROM ROOF

110V WIRE (BRN/BRN) FROM ROOF

RCP-2 OVHD

14-US (BRN) 2800
14-CA (BRN) 2800

FROM ROOF

RCP-8 TV OVHD (SEE DETAIL BD)

WIRE FROM SIDEWALL

PLATE-WALL ANTENNA 86784-03-CHT (193)

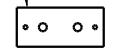
SWITCH 89308-01-CHT
PLATE-SWITCH 98351-16-CHT
SCREW G11-06-10J(2)
(SEE DTL FB)

CONTROL CENTER-SWITCHING 86757-04-000
SCREW G39-10-10B(2)
TAP-FOAM

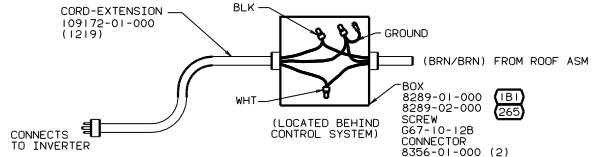
INVERTER-130 WATT 40F
99048-03-000
INVERTER-300 WATT 40B
99048-04-000
FASTENER-DUAL LOCK
85774-01-000
85774-02-000

VCR-VHS 126697-07-000
FASTENER-DUAL LOCK 85774-01-000
85774-02-000
VCR-STEREO 124073-11-000

PLATE-COAX 134006-01-CHT
LABEL-SAT 134250-01-CHT
ADAPTER 82134-01-000 (2)
NUT 82136-01-000 (2)
SCREW G67-10-08U (2)



DETAIL FA



DETAIL FC

- 20C SOUND SYS. DLX. W/O-SURROUND
- 40B INVERTER-DC/AC. 300 WATT
- 21V SOUND SYSTEM DELUXE
- 72B VCR
- 40L TV-19" MID-COACH W/VIDEO SEL
- 40F INVERTER-DC/AC-130W
- 35P VIDEO SELECTION SYSTEM
- 193 TV ANTENNA

FOR DETAIL CALLOUTS SEE DWG NO 130375-01-000

- 1 SLIT AS NEEDED TO RUN WIRES.
- 3. WHERE WIRES PASS THROUGH HOLES IN STEEL ARE NOT OTHERWISE PROTECTED. USE GROMMET 92908-02-000.
- 2 REMOVE VINYL FROM CUTOUT AT INSTALLATION.
- 1 ROUTING WITHOUT 40F.

NOTES:

TO TV SPEAKER OUTPUT

WIRE ASM-
ROOF SIDE TV
(FROM ROOF)

CK DP
CL CP

POLARITY SWITCH

20F DETAIL GA 2 3

110V WIRE
FROM SIDEWALL
OR ROOF

SCP-1 (BRN/BRN)
TV-SIDE

WIRE ASM-
ROOF ENT
CTR SIDE
(FROM ROOF)

CABLE-COAX

AMPLIFIER-TV
115540-01-000
SCREW
G67-08-12U (2)
(SEE DETAIL GA)

20F 2 3

NA
OR
PA

NA
OR
PA

TV-19" COLOR 40L
126696-06-000
TV 19" COLOR STEREO 21V OR 20C
126696-04-000

POWER CORD
(TV)

20C
SPEAKER
124883-03-000
GRILL
124853-04-000
SCREW
G11-08-08B (4)

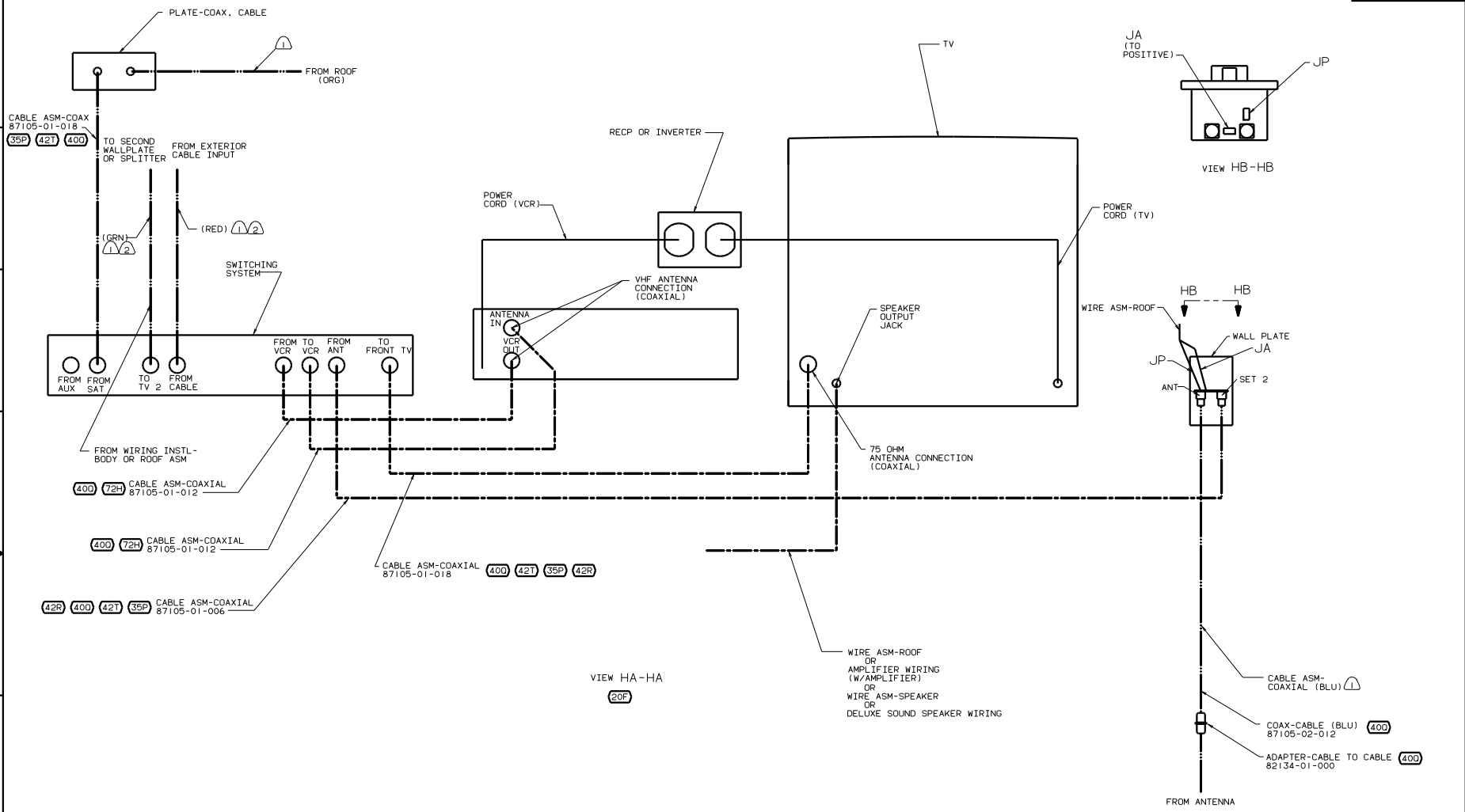
40L

- NOTES:
- ③ NOT USED ON L-SERIES ITASCA.
 - ② NOT USED WITH 21V OR 20C
 - ① SEE WIRING INSTL-BODY FOR ADDITIONAL INFORMATION.

FOR
ELECTRICAL
CALLOUTS
SEE DWG NO.
121339-01-000

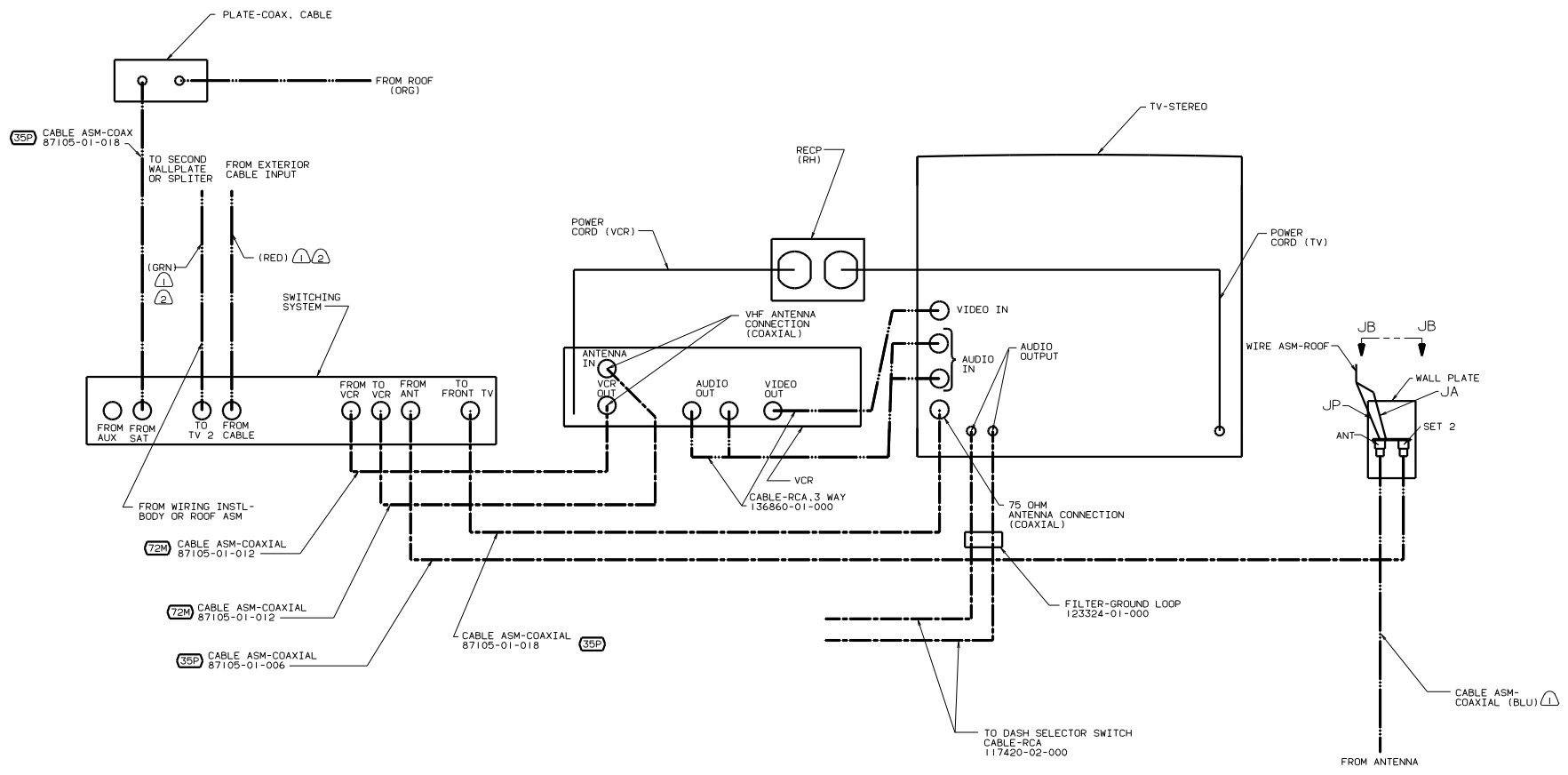
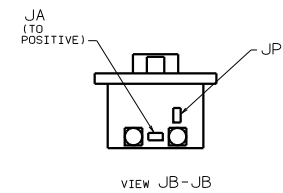
- 20C SOUND SYS. DLX. W/O-SURROUND
- 40L TV-19" DINETTE SWITCHING SYS
- 21V SOUND SYSTEM-DELUXE
- 20F DELUXE SOUND SYSTEM W/O

01 G & L SERIES
TITLE: WIRING INSTL-TV/VCR SIDE
SHEET 7 OF 14
134841



NOTES:
 (2) NOT USED ON SHELL.
 (1) CABLE ASM MARKED WITH COLORED TAPE.

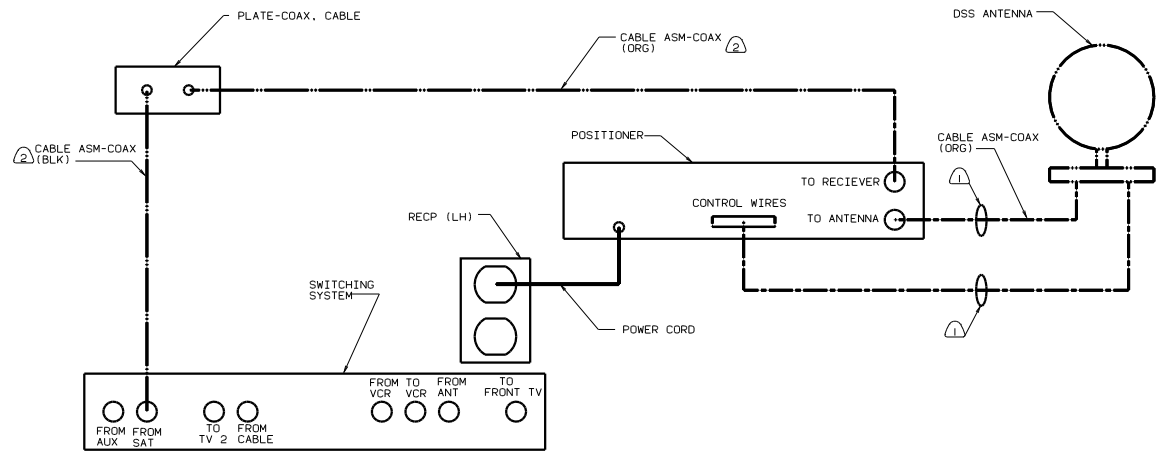
- (42R) TV-25" COLOR
- (42T) TV-19" FRONT W/VIDEO SEL
- (400) TV-19" VCR-INVERTER/ANTENNA VIDEO SELECTION SYSTEM
- (35P) VIDEO SELECTION SYSTEM
- (20F) DELUXE SOUND SYSTEM-WITHOUT
- (72H) VCR
- (42T) TV-19" FRONT W/VIDEO SEL
- (400) TV-19" VCR-INVERTER/ANTENNA



- NOTES:
- ③ CABLE ROUTED IN ROOF.
 - ② SUPPLIED WITH AUTOMATIC SATELLITE ANTENNA.
 - ① CABLE ASM MARKED WITH COLORED TAPE.

- 200 SOUND SYS. DLX. W/O-SURROUND
- 21V SOUND SYSTEM DELUXE
- 72M VCR-STEREO
- 35P VIDEO SELECTION SYSTEM

TITLE		WIRING INSTL - TV/VCR FRONT	
NO	SCALE	REV	DATE
1		1	11/84
SHEET 9 OF 14		134841	



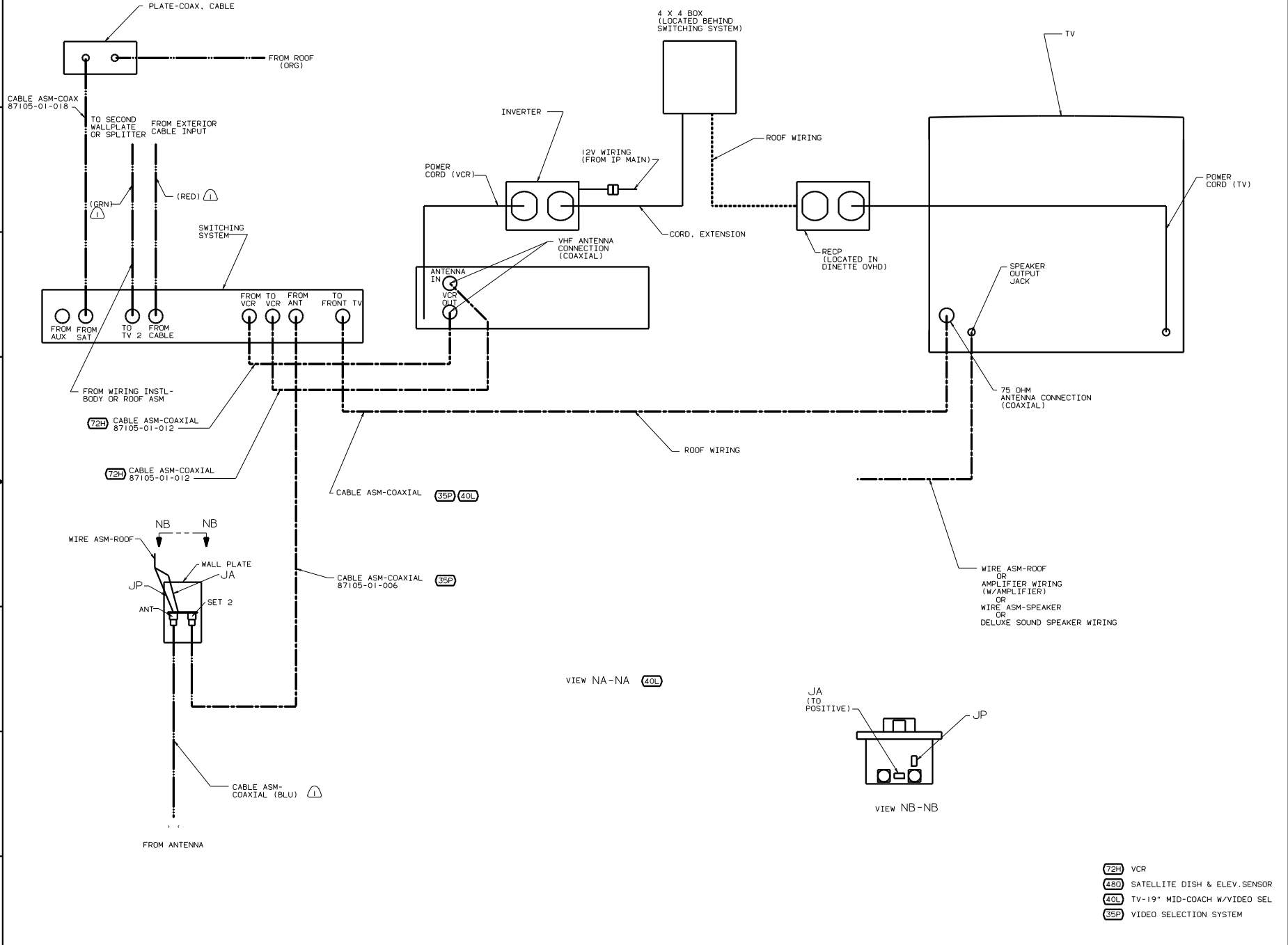
VIEW MA-MA

(78K) SATELLITE DISH-AUTOMATIC

- ② CABLE IS PART OF WIRE ASM-COAX.FRONT ENT CTR 136766-01-000 AND MARKED WITH COLORED TAPE.
- ① CABLE ROUTED IN ROOF.

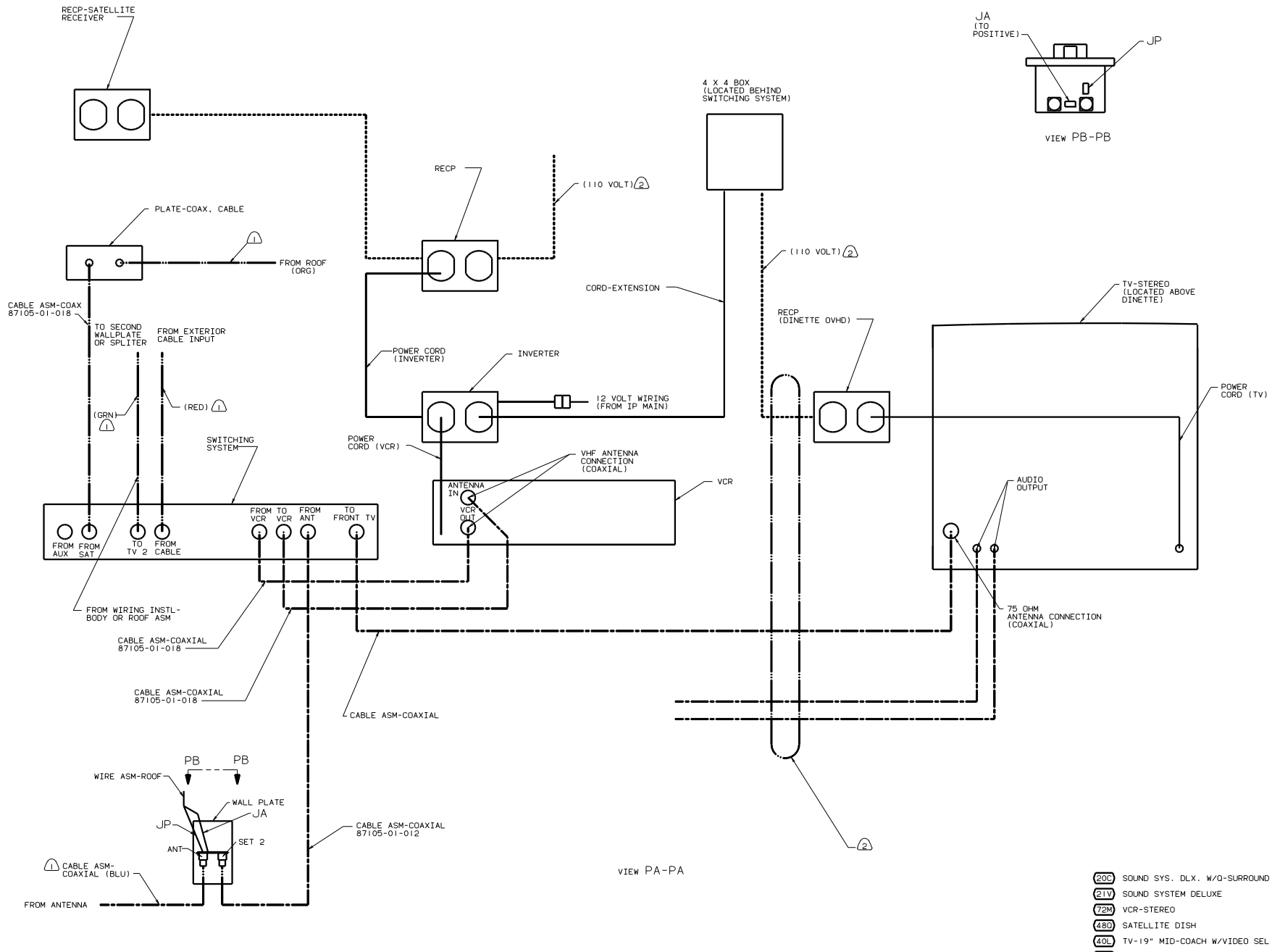
NOTES:

TITLE		DRAWING NO	
WIRING INSTL-TV/VCR FRONT		134841	
NO OF SHEETS	TOTAL SHEETS	DATE	BY
2 OF 14	14		



NOTES: (1) CABLE ASM MARKED WITH COLORED TAPE.

- (72H) VCR
- (480) SATELLITE DISH & ELEV. SENSOR
- (40L) TV-19" MID-COACH W/VIDEO SEL
- (35P) VIDEO SELECTION SYSTEM



② WIRES ROUTED IN ROOF.
 ⚠ CABLE ASM MARKED WITH COLORED TAPE.

- 20C SOUND SYS. DLX. W/O-SURROUND
- 21V SOUND SYSTEM DELUXE
- 72M VCR-STEREO
- 48D SATELLITE DISH
- 40L TV-19" MID-COACH W/VIDEO SEL
- 55P VIDEO SELECTION SYSTEM