



**DANGER**

**Danger of electrical shock, burns or death.** Always remove all power sources before attempting any repair, service or diagnostic work. Power can be present from shore power, generator, inverter or battery. All power sources must be disabled and secured before performing any service.



**CAUTION**

If you lack the skills, tools or equipment to perform diagnostic or repair work leave such work to an authorized Winnebago Industries dealer or other qualified shop.





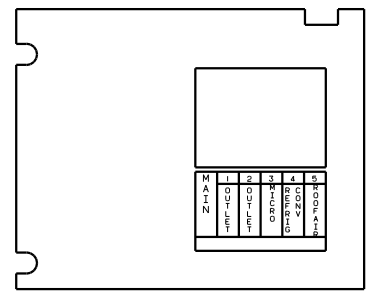
THRU RECP-BLANK CONVERTER TO 4X4 BOX ON RIGHT SIDE.

- 136131-03-087
- 14-UL/BRN
- 136134-03-087
- 14-CA/BRN
- 136131-03-109
- 14-UL/BRN
- 136134-03-109
- 14-CA/BRN

- TO GALLEY GFI
- 136131-02-195
  - 14-UL/BLU
  - 136134-02-195
  - 14-CA/BLU

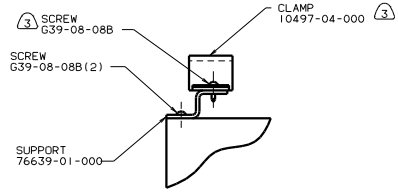
- TO MICROWAVE RECP
- 136131-06-051
  - 14-UL/BLK
  - 136134-06-051
  - 14-CA/BLK

- TO GROUND
- 136145-02-022
  - 8-GRN

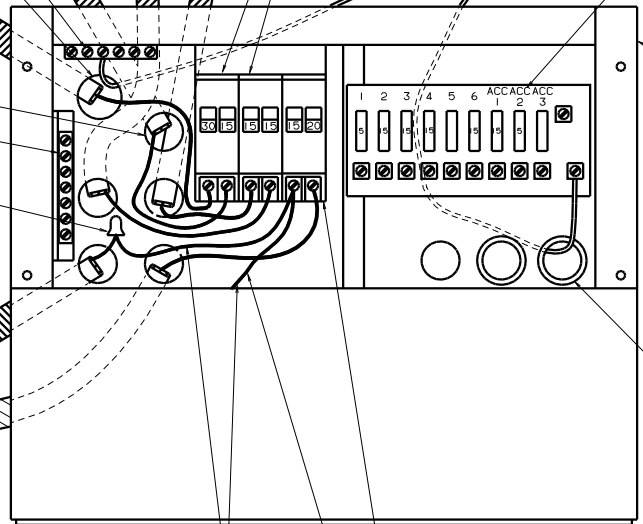


PANEL-COVER

M	I	2	3	4	5
N	T	H	F		



VIEW CA-CA



SEE WIRING INSTL-BODY, 12V.

CONTROL CENTER 83208-02-000 83208-06-000 (231)

CA

CA

GROMMET 8385-01-000(2)

CIRCUIT BREAKER 83209-03-000

EXISTING WIRES

CONVERTER LEAD

CONNECTOR (SUPPLIED WITH CONTROL CENTER)

CONNECTOR 8355-01-000

- TO POWER CORD BOX
- 136137-01-060
  - 10-UL
  - 136138-01-060
  - 10-CA

CONNECTOR 8356-01-000(4)

ALL WHITE WIRES

- TO REFRIGERATOR RECP
- 136131-05-025
  - 14-UL/YEL
  - 136134-05-025
  - 14-CA/YEL

- TO ROOF A/C
- 136135-07-058
  - 12-UL/RED
  - 136136-07-058
  - 14-CA/RED

- (3) FASTEN ALL WIRES TO SUPPORT. USE ONE SCREW PER CLAMP.  
 2. ALL GROUND WIRES TO BE COVERED WITH TUBING 8041-02-000.

1. ALL CABLES SHALL BE COVERED WITH CONDUIT-CONVOLUTE, SLIT 41953-01-000 UNLESS OTHERWISE SPECIFIED. 600MM LESS THAN CABLE LENGTH.

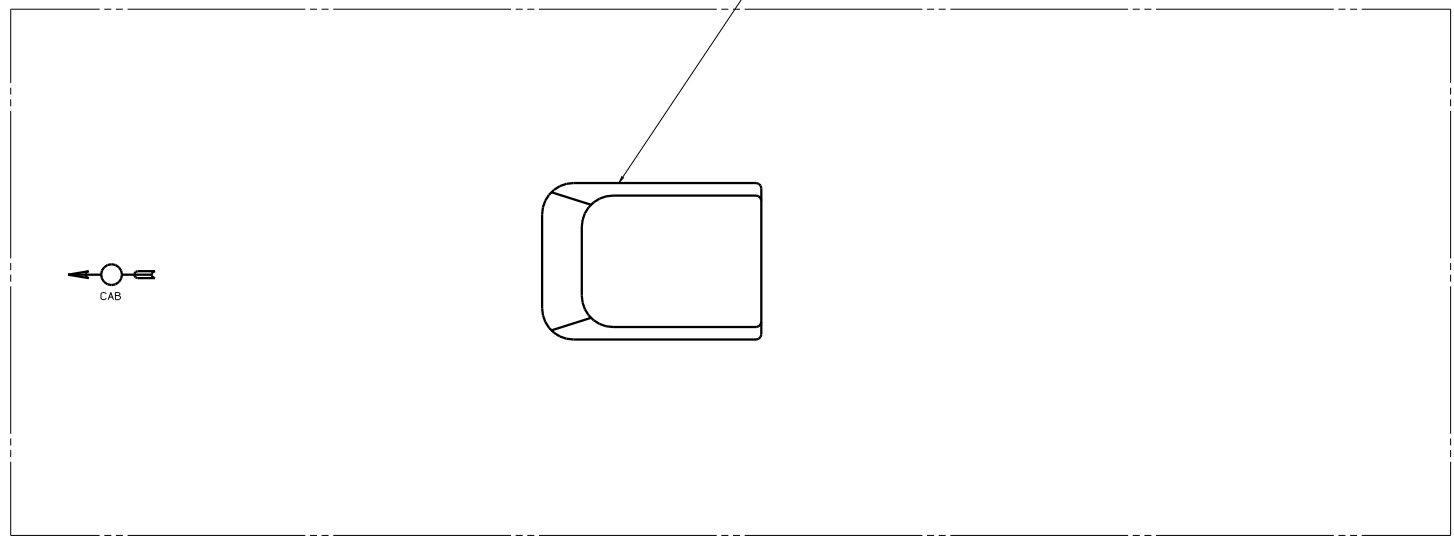
- (265) CODES/STANDARDS-CSA/CMVSS
- (231) HEATED HOLDING TANKS-PACKAGE
- (456) BED-TWINS
- (120) ELECTRICAL SYSTEM 30 AMP
- (1B1) CODES/STANDARDS USA

(1B1) 265 (120) 01 331T

FOR ELECTRICAL TORQUE SPECIFICATIONS SEE DWG NO. 128783-01-000

FOR ELECTRICAL CALLOUTS SEE DWG NO. 121339-01-000

WIRING INSTL-BODY, 110(LC30) SHEET 3 OF 4



AIR CONDITIONER (A/C)  
 131188-01-CHT  
 CEILING ASM-A/C DUCTED  
 131184-03-CHT

CAB

- (250) A/C ROOF AIR (1) 14,800 BTU
- (265) CODES/STANDARDS-CSA/CMVSS
- (181) CODES/STANDARDS USA

(181) (265) (250) 01 331T

SEE WIRING INSTL-BODY, 12V FOR ADDITIONAL INFORMATION.

WIRING INSTL-BODY, 110V (EXT)  
 SHEET 4 OF 4