



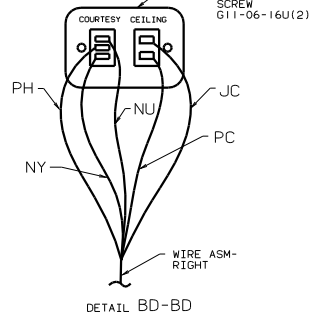
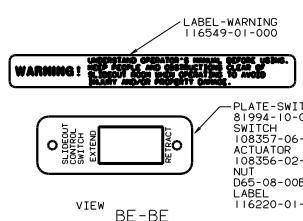
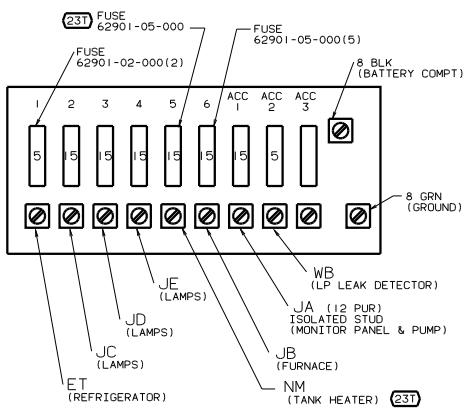
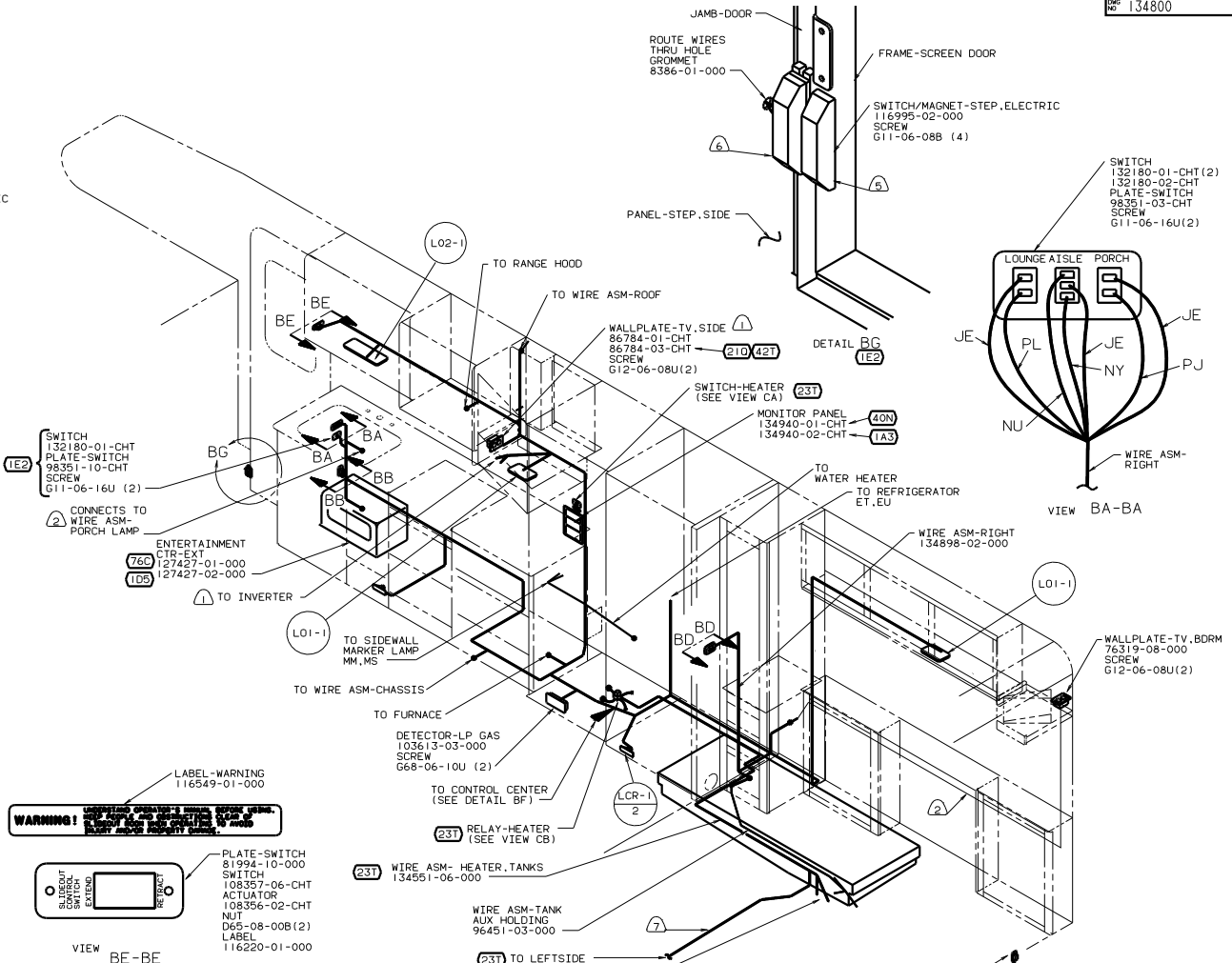
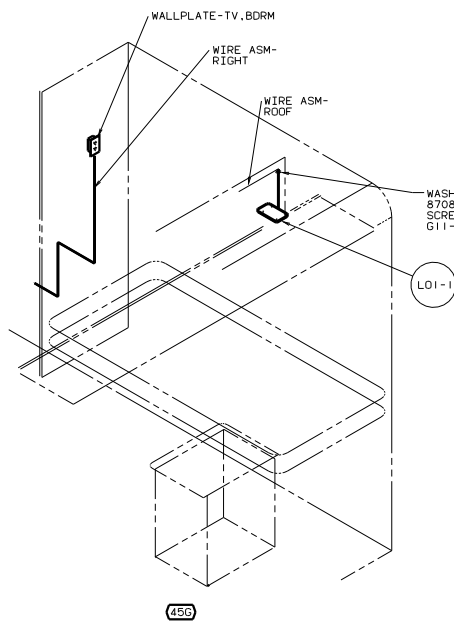
DANGER

Danger of electrical shock, burns or death. Always remove all power sources before attempting any repair, service or diagnostic work. Power can be present from shore power, generator, inverter or battery. All power sources must be disabled and secured before performing any service.



CAUTION

If you lack the skills, tools or equipment to perform diagnostic or repair work leave such work to an authorized Winnebago Industries dealer or other qualified shop.

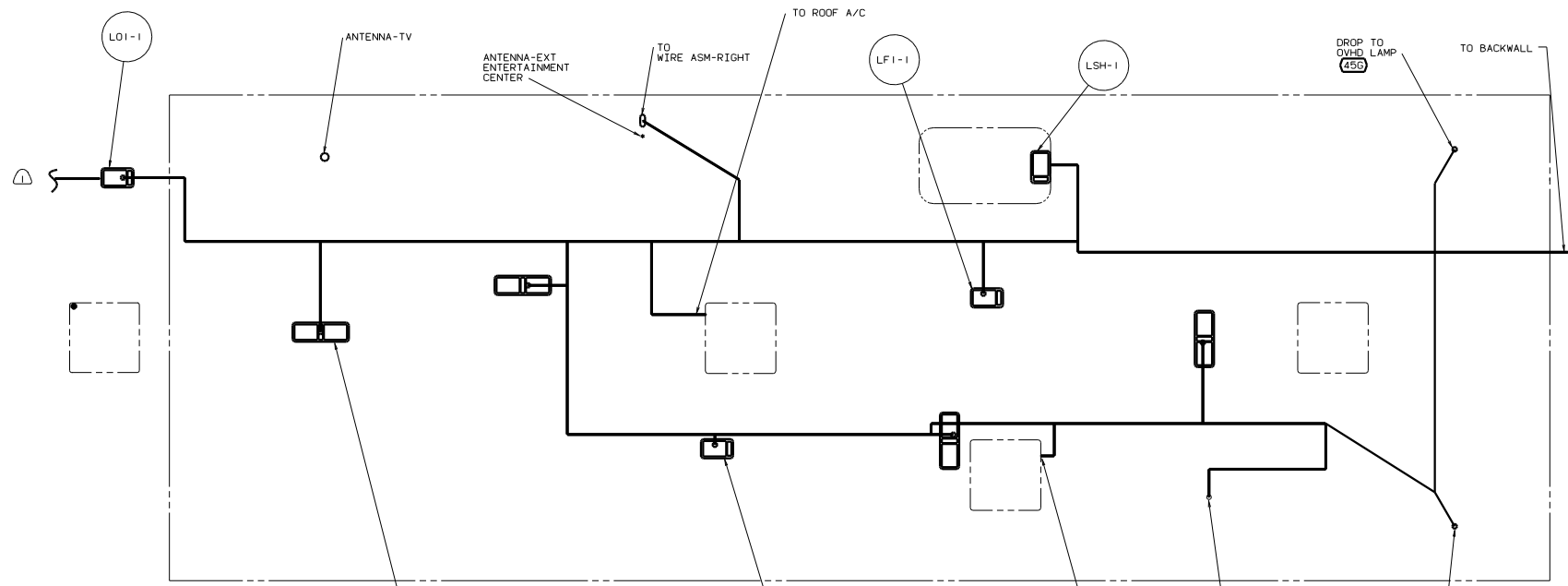


- NOTES:
- 8 SEE DRAINAGE SYSTEM INSTL FOR HEATER PAD PART NUMBERS AND LOCATION.
 - 7 ROUTE WIRES ALONG DRAINAGE PIPE.
 - 6 MOUNT SWITCH AND SPACER TO BLOCK ON JAMB. ADJUST HEIGHT TO MATCH MAGNET.
 - 5 MOUNT MAGNET USING PILOT HOLES IN SCREEN DOOR FRAME. MOUNT WITH MAGNET TOWARDS SWITCH.
 - 4 SEE WIRING INSTL-BODY, 110V FOR ADDITIONAL INFORMATION.
 - 3 NOT USED WITH 64R
 - 2 WIRE ROUTED IN SIDEWALL.
 - 1 SEE WIRING INSTL-TV/VCR SIDE FOR ADDITIONAL INFORMATION.

FOR ELECTRICAL TORQUE SPECIFICATIONS SEE DWG NO. 128783-01-000

FOR ELECTRICAL CALLOUTS SEE DWG NO. 121339-01-000

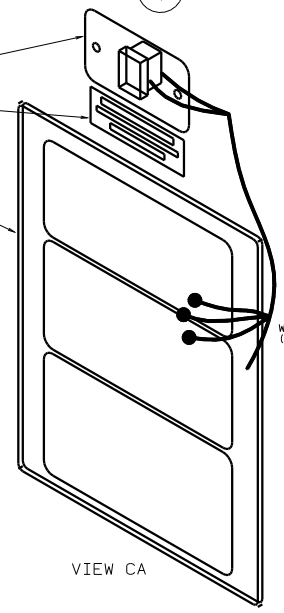
105	ENTERTAINMENT CNTR/EXT W/CD
76C	ENTERTAINMENT CTR/EXT CASSETTE
64R	EXTERIOR WASH STATION
45G	BED-TWINS
44X	BED-QUEEN SIDEWALL
421	TV-19" FRONT W/VIDEO SEL
40N	GEN-4.0KW-ONAN-GAS-MICROLITE
265	CODES/STANDARDS-CSA/CMSS
23T	HEATED HOLDING TANKS-PACKAGE
210	TV-19" W/VCR/VIDEO SELECTION
1E2	ENTRANCE STEP-ELEC.
1B1	CODES/STANDARDS USA
1A3	GENERATOR WITHOUT
1B1 265	01 331T



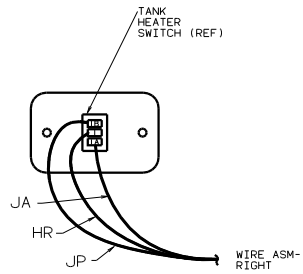
SWITCH-HEATER
89308-05-CHT
PLATE
98561-01-CHT
SCREW
G11-06-16J (2)
(SEE VIEW CC)

LABEL-SWITCH
134563-01-CHT

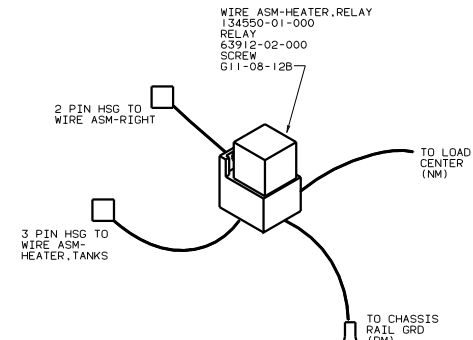
MONITOR PANEL
(REF)



VIEW CA



VIEW CC

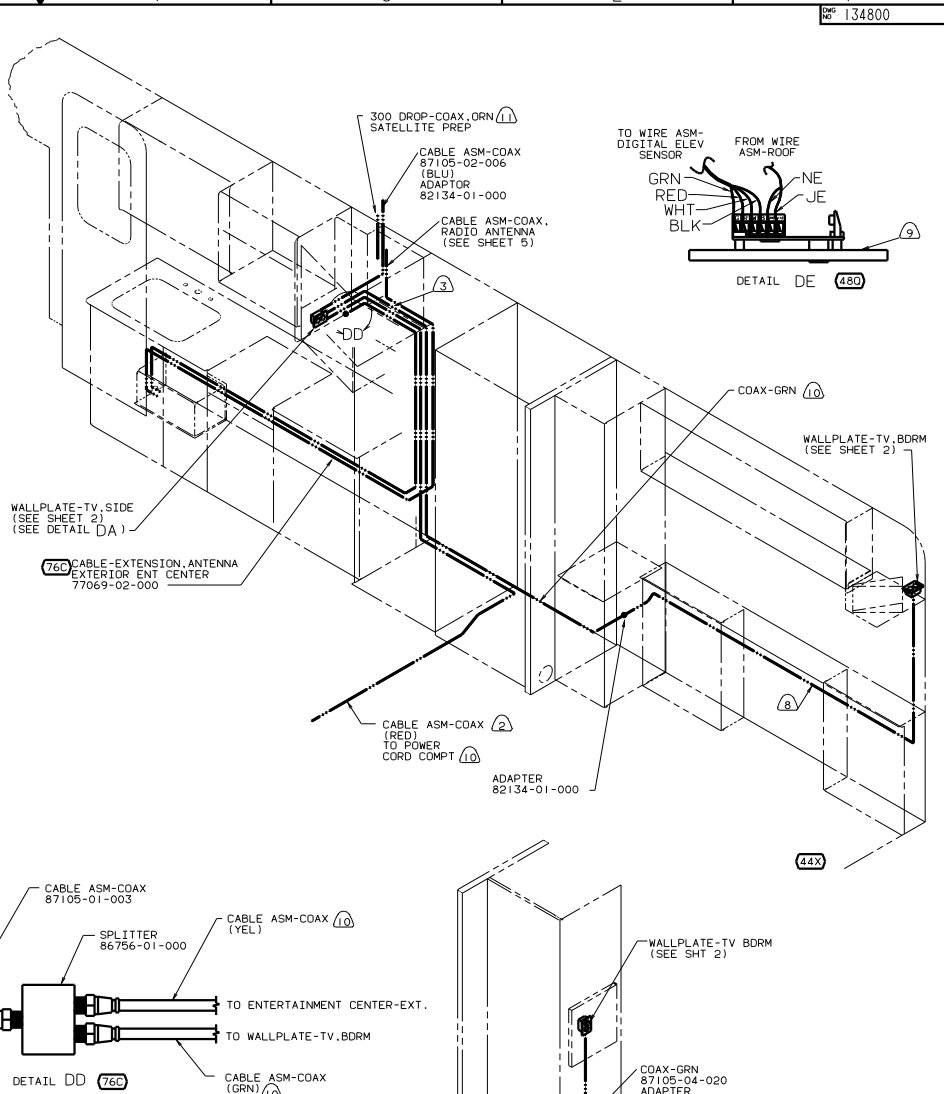
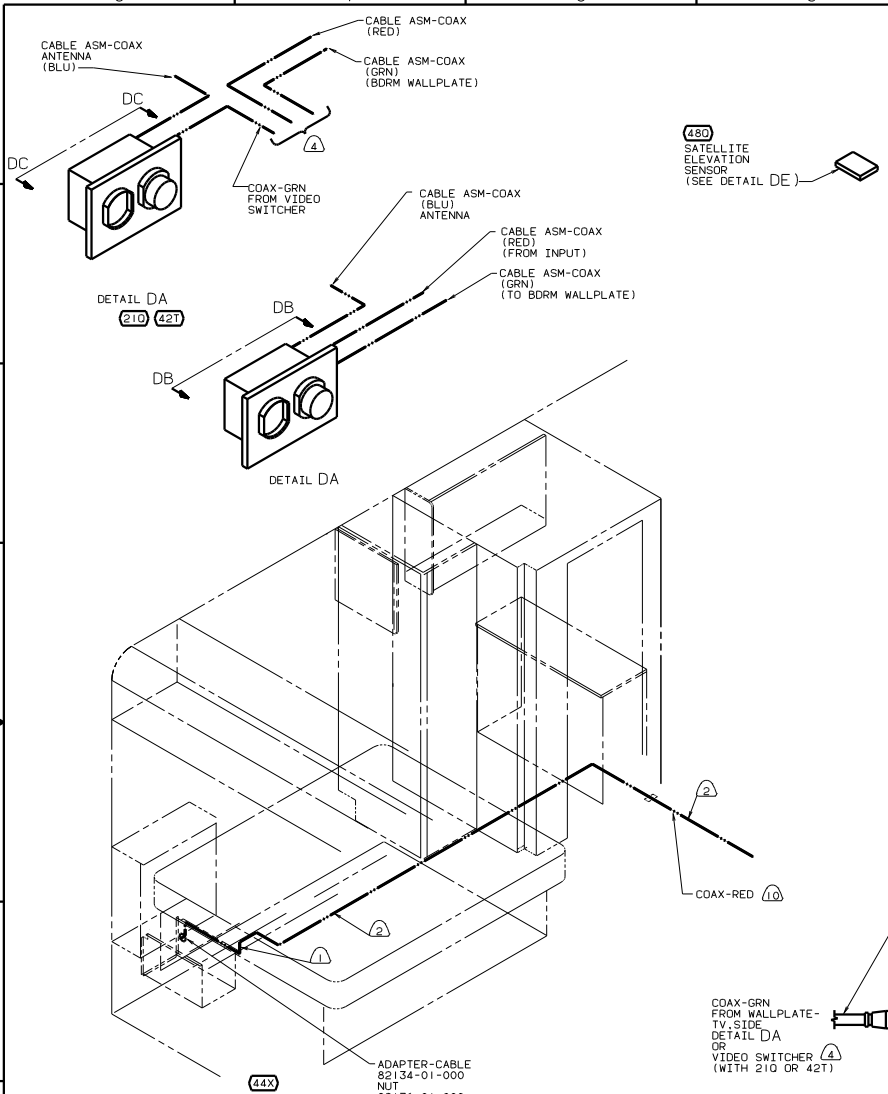


VIEW CB (237)

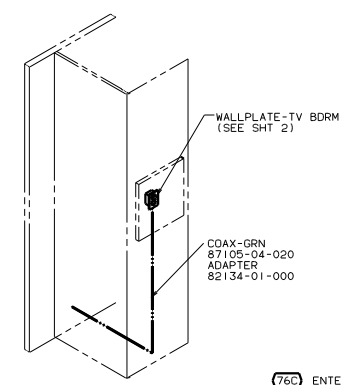
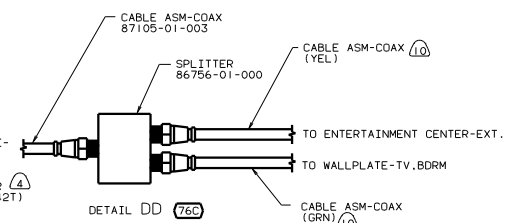
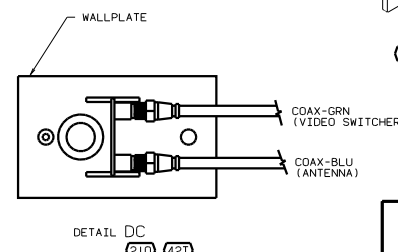
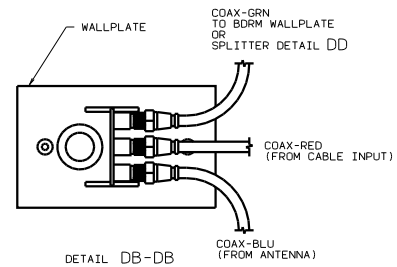
- (48M) LIGHTS-INCANDESCENT
- (265) CODES/STANDARDS-CSA/CMVSS
- (237) HEATED HOLDING TANKS-PACKAGE
- (181) CODES/STANDARDS USA

CONNECT WIRE ASM-ROOF TO WIRE ASM-CLEARANCE LAMPS

FILE	134800
TITLE	WIRING INSTL-BODY, 12V (CELL)
NO. OF SHEETS	5
SHEET NO.	3
REV	1
DATE	134800

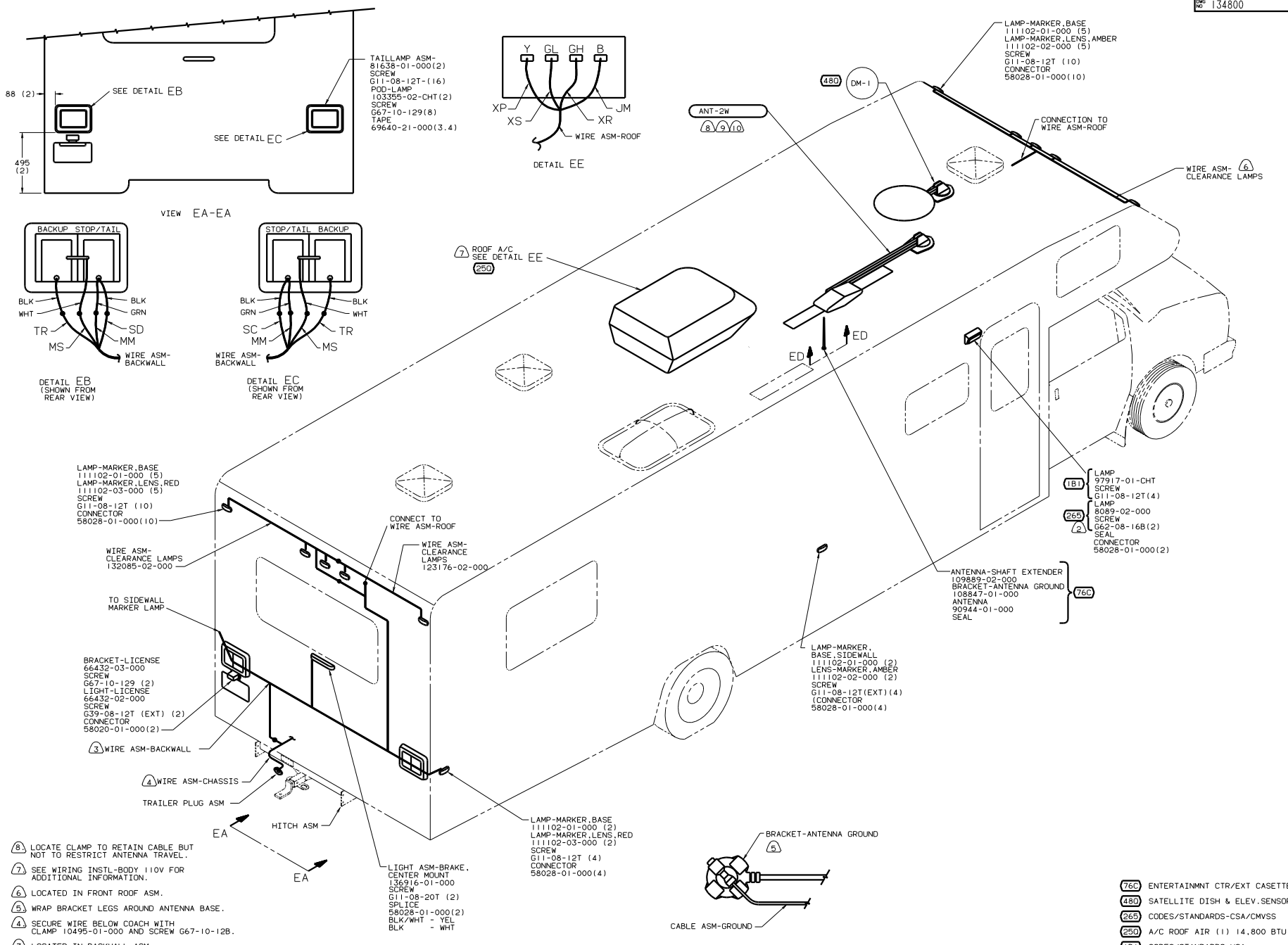


- NOTES:
- ① SEE WIRING INSTL-TV/VCR SIDE FOR ADDITIONAL INFORMATION.
 - ⑩ COAX IS AN INTEGRAL PART OF WIRE ASM-RIGHT
 - ⑨ SENSOR SUPPLIED WITH SATELLITE ASSEMBLY.
 - ⑧ WIRE ROUTED IN SIDEWALL.
 - ⑦ DELETE
 - ⑥ DELETE
 - ⑤ DELETE
 - ④ SEE WIRING INSTL-TV/VCR SIDE FOR ADDITIONAL INFORMATION.
 - ③ WITH SIDE TV ENTERTAINMENT CENTER COIL EXCESS LENGTHS OF COAX INTO INDIVIDUAL BUNDLES AND TIE WITH 8343-01-000. SECURE BUNDLES BEHIND CLOSEOUT PANEL.
 - ② WIRE ROUTED THRU FLOOR.
 - ① CABLE IS ROUTED UNDER FLOOR. EXTERIOR TO COMPARTMENT.



- ⑦⑥ ENTERTAINM CTR/EXT CASSETTE
- ④⑧⑩ SATELLITE DISH
- ④⑤⑥ BED-TWINS
- ④④④ BED-QUEEN SIDEWALL
- ④②① TV-19" FRONT W/VIDEO SEL
- ②⑥⑤ CODES/STANDARDS-CSA/CMVSS
- ②①⑦ TV-19" W/VCR/VIDEO SELECTION
- ①① CODES/STANDARDS USA
- ①①① ②⑥⑤ ① 331T

FOR ELECTRICAL TORQUE SPECIFICATIONS SEE DWG NO. 128783-01-000



- ⑧ LOCATE CLAMP TO RETAIN CABLE BUT NOT TO RESTRICT ANTENNA TRAVEL.
 - ⑦ SEE WIRING INSTL-BODY 110V FOR ADDITIONAL INFORMATION.
 - ⑥ LOCATED IN FRONT ROOF ASM.
 - ⑤ WRAP BRACKET LEGS AROUND ANTENNA BASE.
 - ④ SECURE WIRE BELOW COACH WITH CLAMP 10495-01-000 AND SCREW 667-10-12B.
 - ③ LOCATED IN BACKWALL ASM.
 - ② INSTALL WITH WIRES TOWARDS ROOF.
1. CONNECTOR-PLUG-TRAILER 113589-01-000 TO BE SUPPLIED LOOSE IN COACH WITH TRAILER TOW PACKAGE.

- ① ADD RUBBER BUMPER TO ROOF UNDER EACH END OF ANTENNA IN DOWN POSITION WHICH MAY COME INTO CONTACT WITH ROOF.
- ② SEE DRAWING 76319-01-000 FOR INSTALLATION OF TV ANTENNA.

FOR ELECTRICAL TORQUE SPECIFICATIONS SEE DWG NO. 128783-01-000

- ⑦⑥ ENTERTAINMENT CTR/EXT CASSETTE
- ④⑧ SATELLITE DISH & ELEV. SENSOR
- ②⑤ CODES/STANDARDS-CSA/CMVSS
- ②⑤ A/C ROOF AIR (1) 14.800 BTU
- ①① CODES/STANDARDS USA