



DANGER

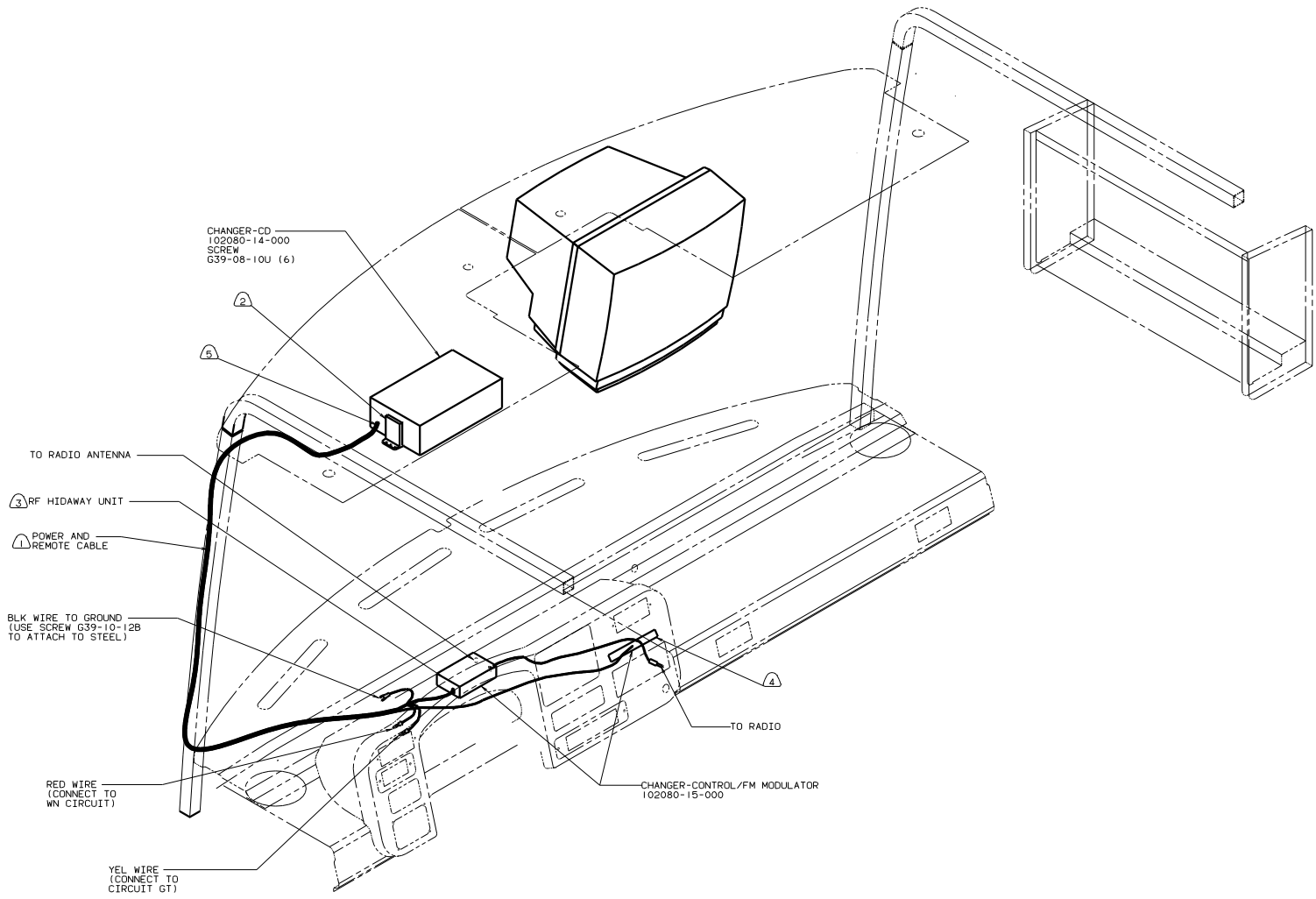
Danger of electrical shock, burns or death. Always remove all power sources before attempting any repair, service or diagnostic work. Power can be present from shore power, generator, inverter or battery. All power sources must be disabled and secured before performing any service.



CAUTION

If you lack the skills, tools or equipment to perform diagnostic or repair work leave such work to an authorized Winnebago Industries dealer or other qualified shop.

DWG NO	SHEET
134640-01	1,5
134640-02	2,5
134640-03	3,5
134640-04	4,5



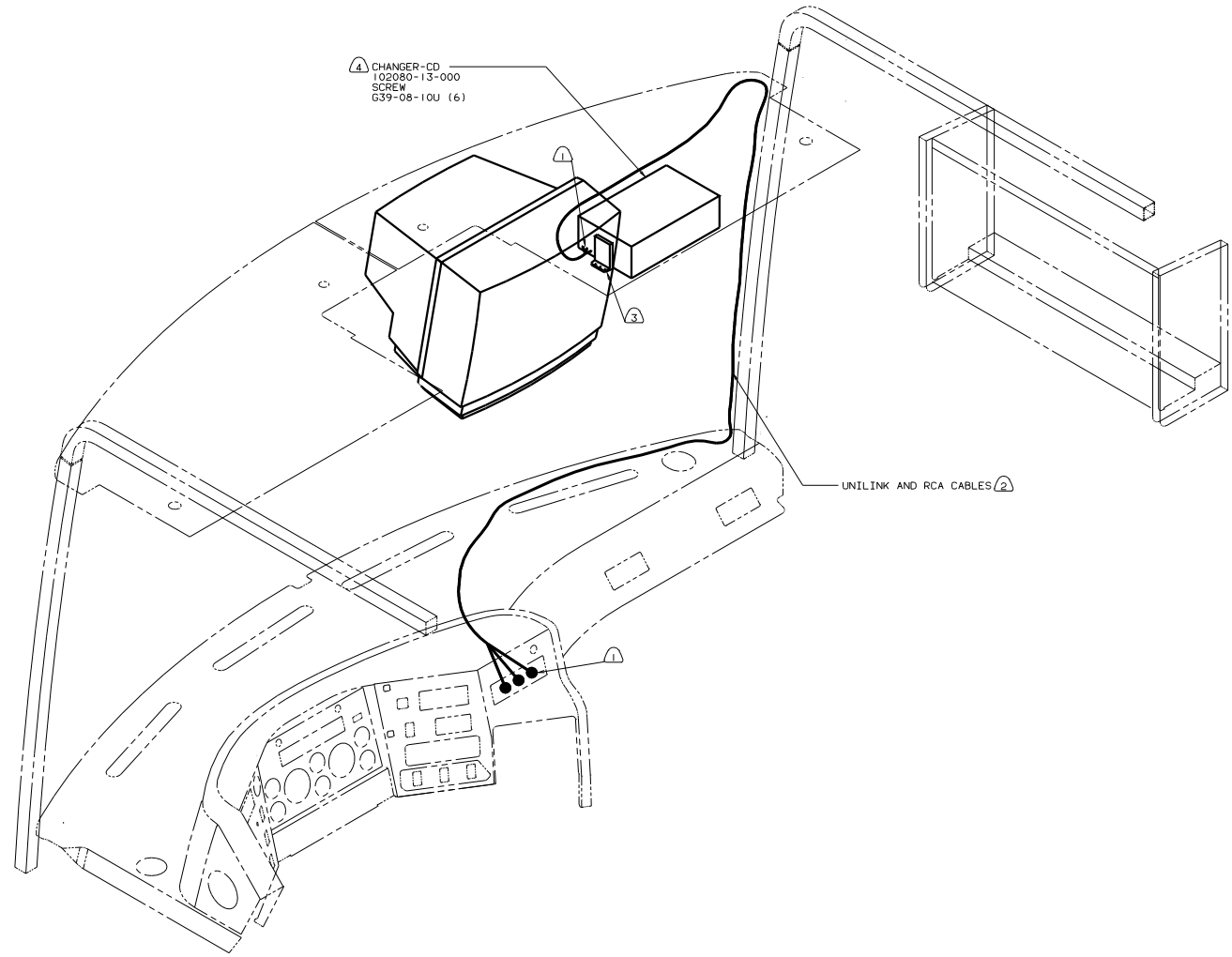
- NOTES:
- ⑤ SEE SHT 5 FOR ADDITIONAL INFORMATION.
 - ④ CD CHANGER REMOTE. DRILL HOLE IN DASH AND MOUNT BELOW RADIO.
 - ③ MOUNT UNDER IP PAD ON IP BASE.
 - ② USE BRACKET SUPPLIED WITH CD PACKAGE.
 - ① SUPPLIED WITH CHANGER-CONTROL PACKAGE.

G SERIES
 52T CD CHANGER

WINNEBAGO 01 MOTORHOMES

OF IN	DATE	UNSPECIFIED TOLERANCES ARE:	MATERIAL
CHP	DATE	WHOLE DIM IN	
PIE	DATE	ONE-PLACE IN .01	
PIE	DATE	TWO-PLACE IN .005	
PIE	DATE	THREE-PLACE IN .002	
DATE	DATE	THIRD ANGLE PROJECTION	

LAYOUT NO. _____ TITLE: **CD PLAYER INSTL**
 REF: 132030 C I
 SHEET 1 OF 5
 134640



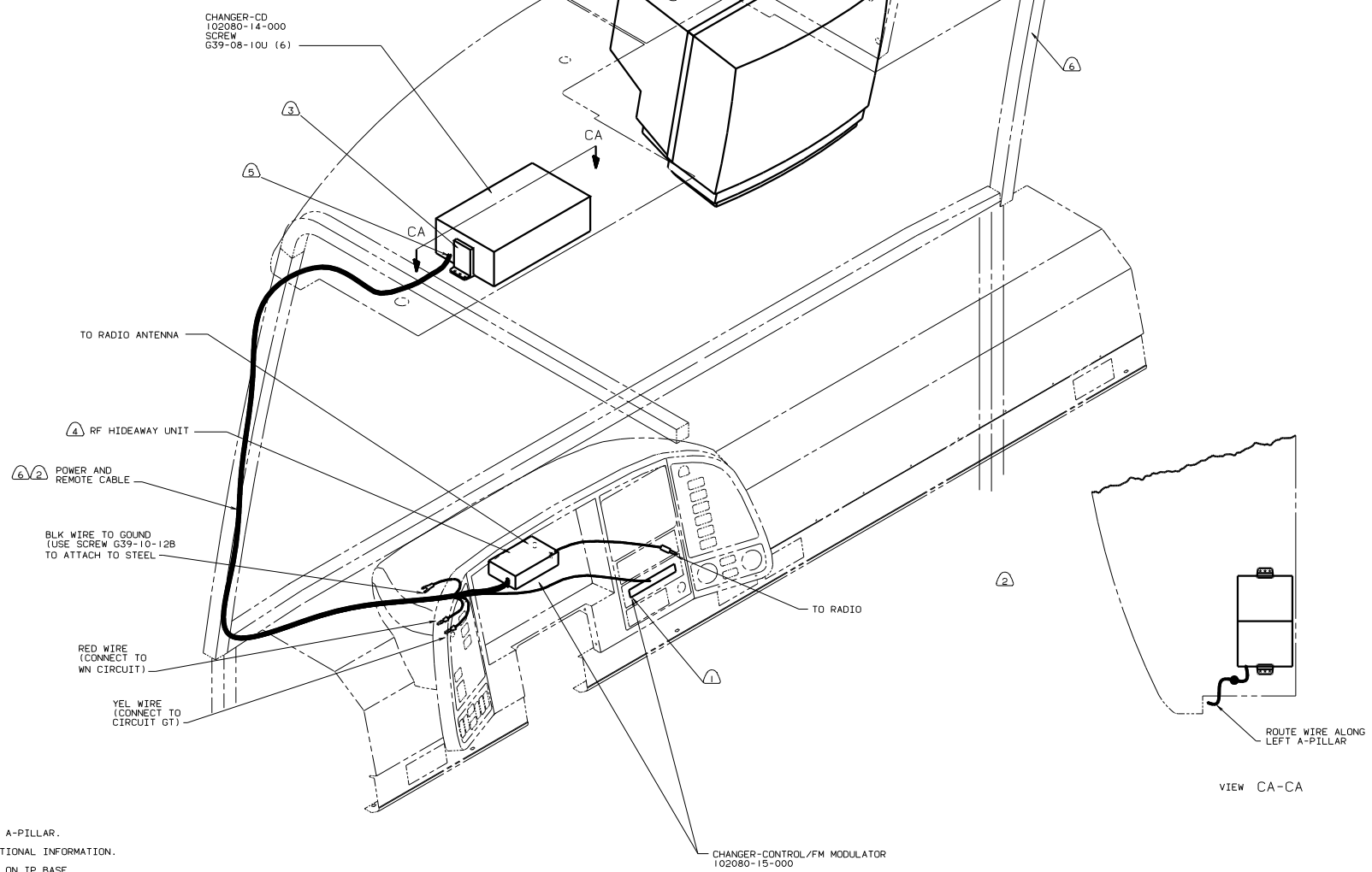
④ CHANGER-CD
102080-13-000
SCREW
G39-08-10U (6)

UNILINK AND RCA CABLES ②

- NOTES:
- ④ TO BE MOUNTED ON THE BOTTOM SHELF.
 - ③ USE BRACKET SUPPLIED WITH CD PACKAGE.
 - ② SUPPLIED WITH CHANGER.
 - ① SEE SHT 5 FOR ADDITIONAL INFORMATION.

O SERIES
52T CD CHANGER

TITLE: CD PLAYER INSTL	
DO NOT SCALE DRAWING	FIG. NO.
SHEET 2 OF 5	134640

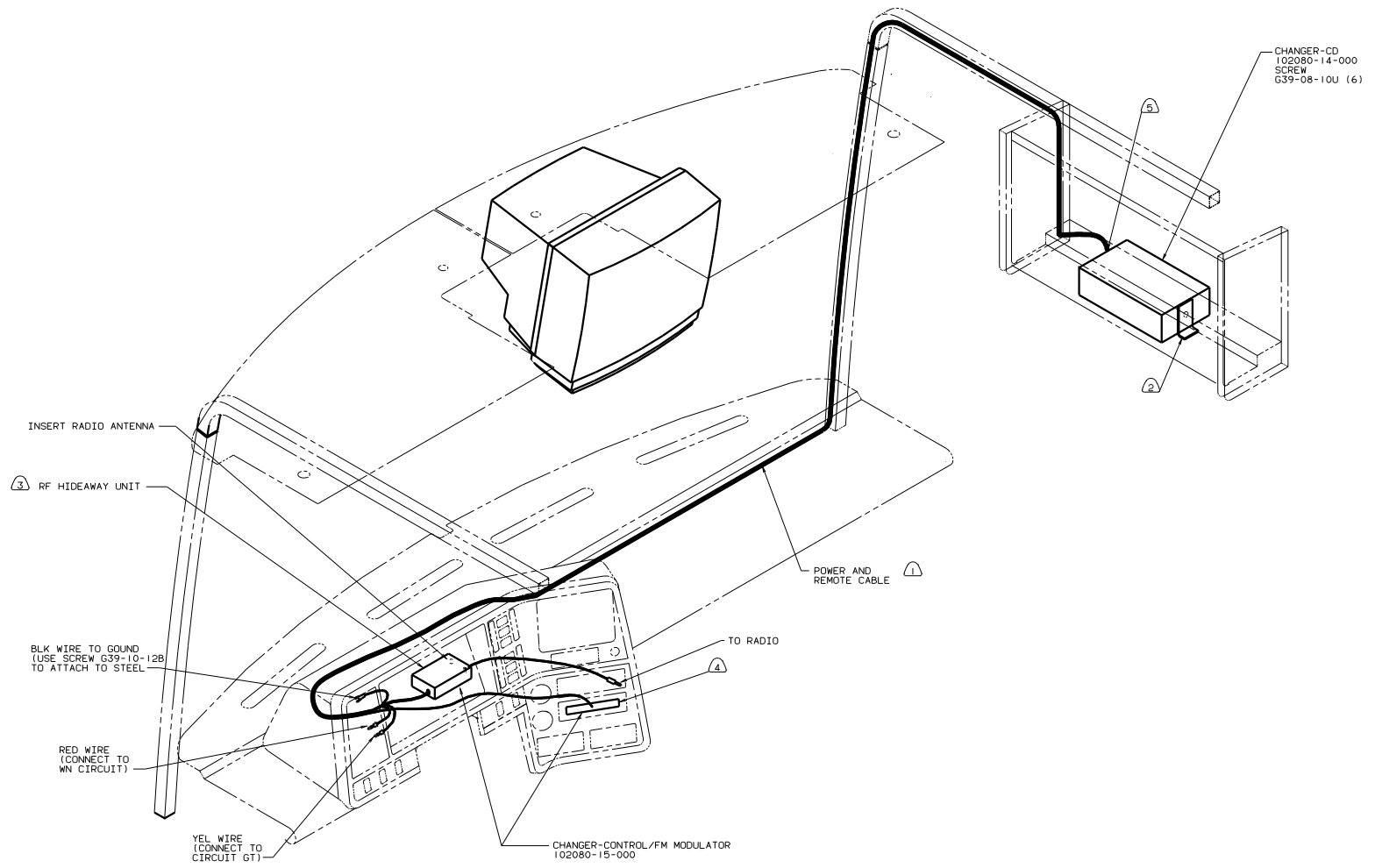


- ⑥ ROUTED ALONG RIGHT A-PILLAR.
- ⑤ SEE SHT 6 FOR ADDITIONAL INFORMATION.
- ④ MOUNT UNDER IP PAD ON IP BASE.
- ③ USE BRACKET SUPPLIED WITH CD PACKAGE.
- ② SUPPLIED WITH CHANGER-CONTROL PACKAGE.
- ① CD CHANGER REMOTE. DRILL HOLE IN DASH AND MOUNT BELOW RADIO.

NOTES:

L-SERIES
52T CD CHANGER

TITLE		CD PLAYER INSTL	
30 X 100 SCALE DRAWING	DATE	1.6	
SHEET 3 OF 5	FIG NO		134640

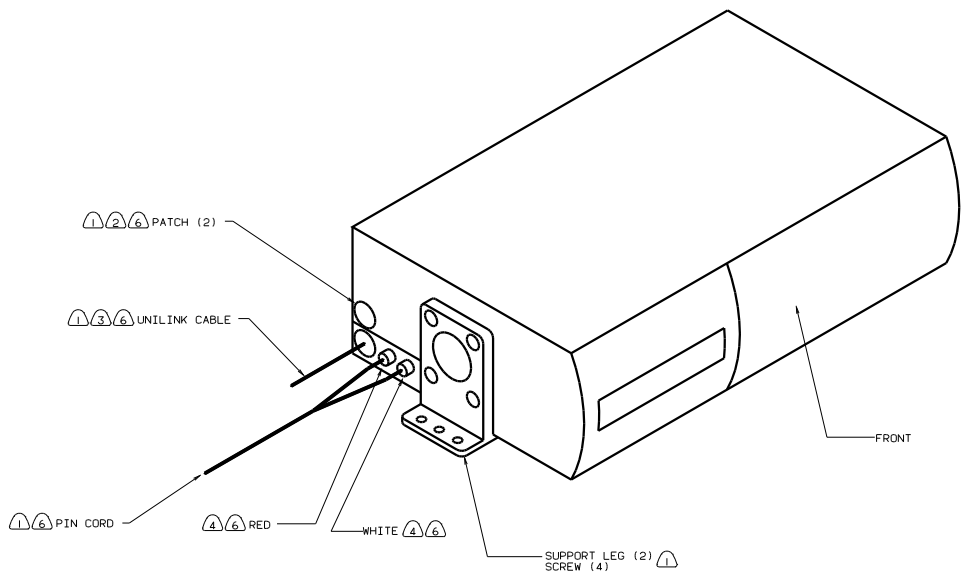


- ⑥ ROUTED ALONG RIGHT A-PILLAR.
- ⑤ SEE SHT 6 FOR ADDITIONAL INFORMATION.
- ④ CD CHANGER REMOTE. DRILL HOLE IN DASH AND MOUNT BELOW RADIO.
- ③ MOUNT UNDER IP PAD ON IP BASE.
- ② USE BRACKET SUPPLIED WITH CD PACKAGE.
- ① SUPPLIED WITH CHANGER-CONTROL PACKAGE.

NOTES:

P-SERIES
52T CD CHANGER

TITLE		CD PLAYER INSTL	
30 X 10 SCALE DRAWING	FIG	16	NO
SHEET 4 OF 5	16	134640	



- ⑥ Ø ONLY.
- 5. SEE SHEETS 1,2,3,4 FOR ADDITIONAL INFORMATION.
- ④ CONNECT PIN CORD CONNECTORS PER COLOR MATCH. RED TO RED. WHITE TO WHITE.
- ③ STRAIGHT CONNECTOR TO CD-CHANGER, L-CONNECTOR TO RADIO.
- ② COVER THE HOLES WHICH ARE NOT USED. WITH PATCH.
- ① SUPPLIED WITH CD CHANGER

NOTES:

01 MOTORHOMES

TITLE		CD PLAYER INSTL	
SCALE	DATE	REV	NO
5 of 5		1	134640