



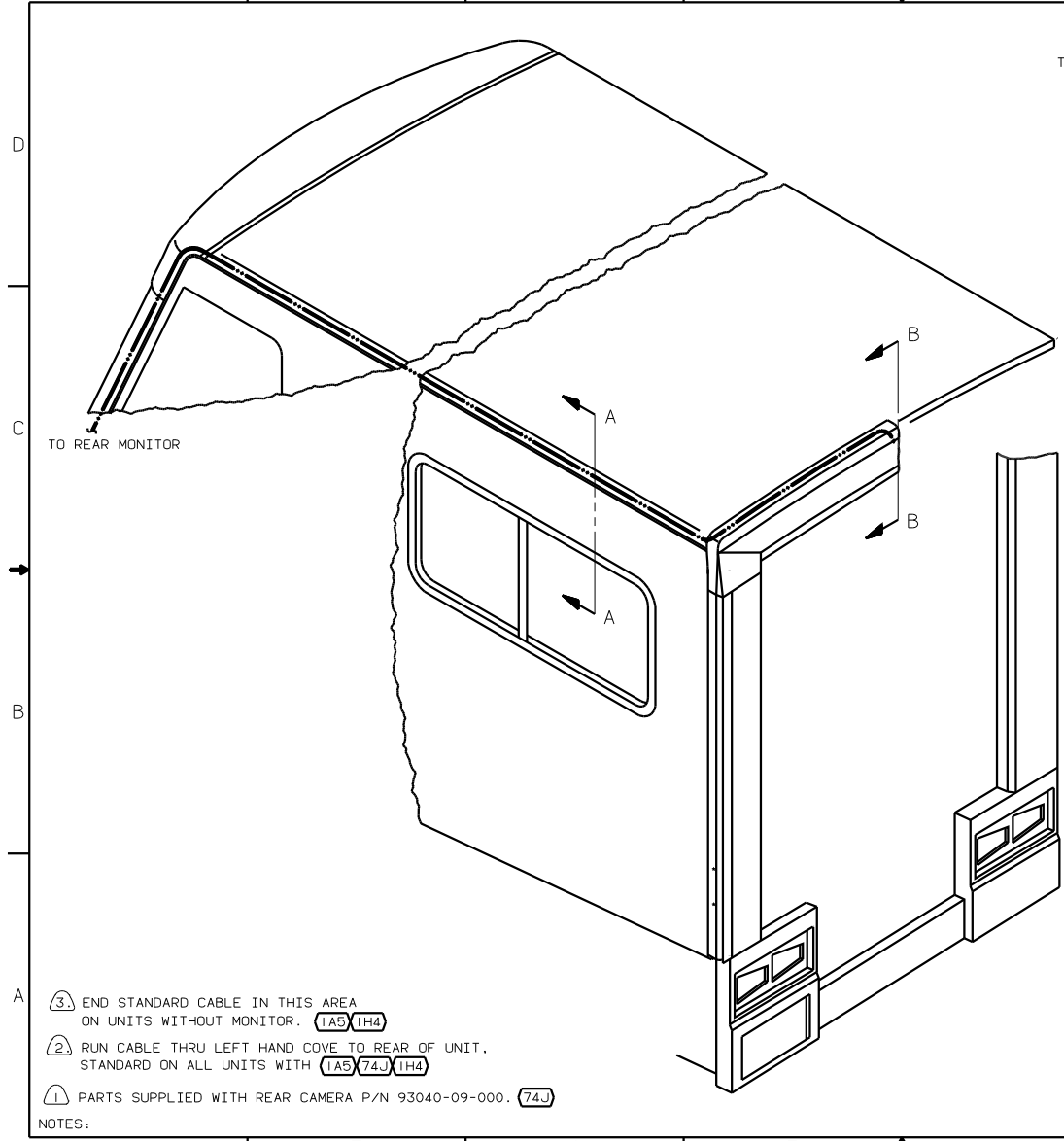
DANGER

Danger of electrical shock, burns or death. Always remove all power sources before attempting any repair, service or diagnostic work. Power can be present from shore power, generator, inverter or battery. All power sources must be disabled and secured before performing any service.

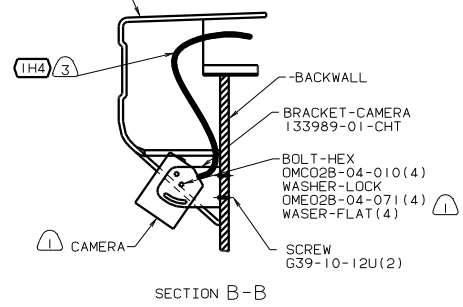


CAUTION

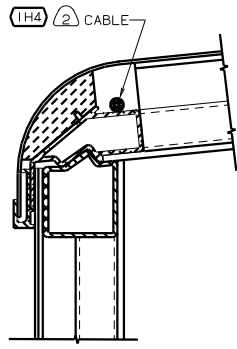
If you lack the skills, tools or equipment to perform diagnostic or repair work leave such work to an authorized Winnebago Industries dealer or other qualified shop.



TRIM ASM-BACKWALL.TOP



- BACKWALL
- BRACKET-CAMERA
133989-01-CHT
- BOLT-HEX
0MCO2B-04-010(4)
- WASHER-LOCK
0ME02B-04-071(4)
- WASER-FLAT(4) 1
- SCREW
G39-10-12U(2)
- 1 CAMERA



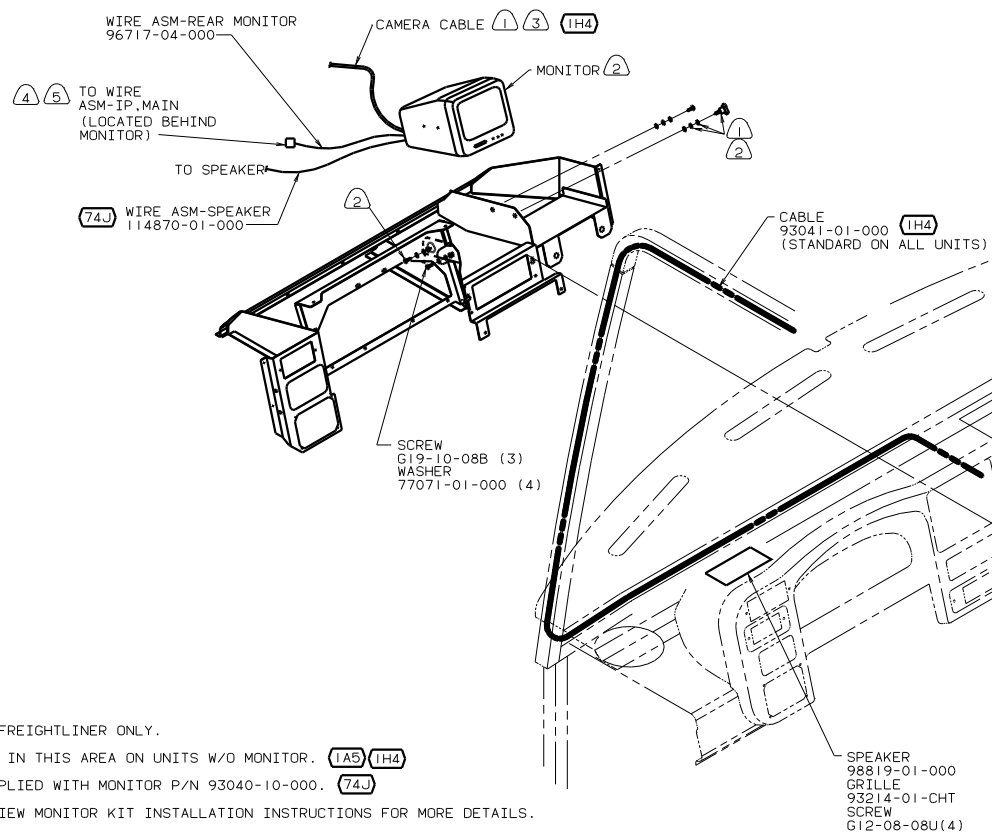
SECTION A-A

- 1H4 REARVIEW MONITOR-WIRE PREP
- 74J REARVIEW MONITOR SYSTEM
- 1A5 REARVIEW MONITOR SYSTEM W/O

- 3) END STANDARD CABLE IN THIS AREA ON UNITS WITHOUT MONITOR. 1A5 1H4
- 2) RUN CABLE THRU LEFT HAND COVE TO REAR OF UNIT. STANDARD ON ALL UNITS WITH 1A5 74J 1H4
- 1) PARTS SUPPLIED WITH REAR CAMERA P/N 93040-09-000. 74J

NOTES:

WINNEBAGO		00 G-SERIES	
OFTR	DATE	UNSPECIFIED TOLERANCES ARE:	MATERIAL:
CMR	DATE	WHOLE DIM (X, Y, Z)	
P E	DATE	ONE-PLACE (X, XX)	
M E	DATE	TWO-PLACE (X, XX)	
DSMR	DATE	ANGLE	
DSMR	DATE	THIRD ANGLE PROJECTION	
LAYOUT NO.	TITLE:		
	MONITOR INSTL		
DIA #	SCALE, NONE	TO FULL SCALE (CONTR.)	SIZE
ALL DIMENSIONS ARE IN MILLIMETERS		SHEET 1 OF 2	DWG NO 132639



- NOTES:
- (4) FORD AND FREIGHTLINER ONLY.
 - (3) END CABLE IN THIS AREA ON UNITS W/O MONITOR. (1A5) (1H4)
 - (2) PARTS SUPPLIED WITH MONITOR P/N 93040-10-000. (74J)
 - (1) SEE REARVIEW MONITOR KIT INSTALLATION INSTRUCTIONS FOR MORE DETAILS.

TITLE:		00 G-SERIES	
MONITOR INSTL	SIZE	DWG NO	132639
DO NOT SCALE DIMENSIONS	SHEET	2 OF 2	I.G.