



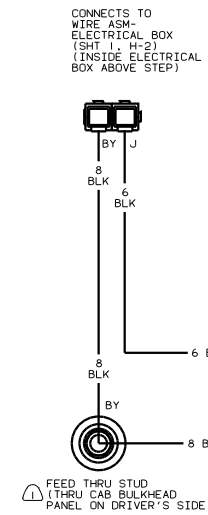
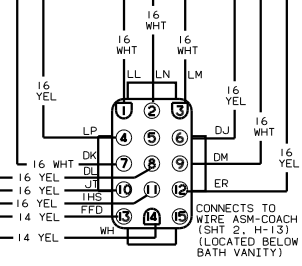
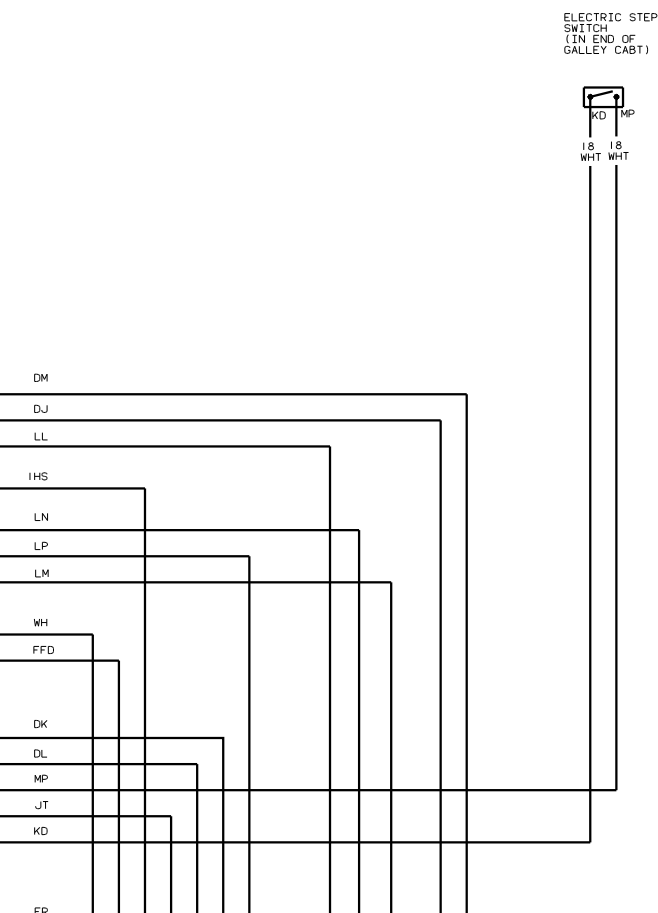
DANGER

Danger of electrical shock, burns or death. Always remove all power sources before attempting any repair, service or diagnostic work. Power can be present from shore power, generator, inverter or battery. All power sources must be disabled and secured before performing any service.

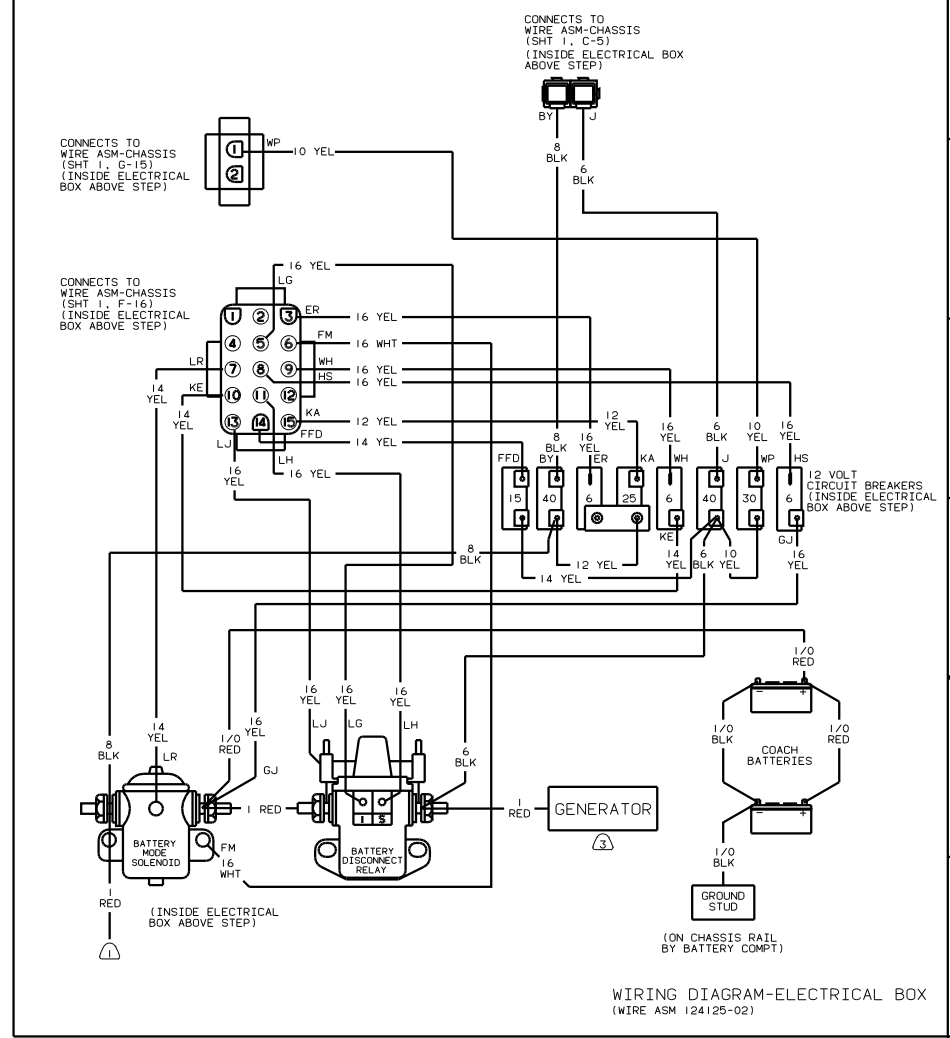


CAUTION

If you lack the skills, tools or equipment to perform diagnostic or repair work leave such work to an authorized Winnebago Industries dealer or other qualified shop.



FEED THRU STUD
 (THRU CAB BULKHEAD
 PANEL ON DRIVER'S SIDE)



CONNECTS TO
 WIRE ASM-CHASSIS
 (SHT 1, C-15)
 (INSIDE ELECTRICAL
 BOX ABOVE STEP)

CONNECTS TO
 WIRE ASM-CHASSIS
 (SHT 1, F-16)
 (INSIDE ELECTRICAL
 BOX ABOVE STEP)

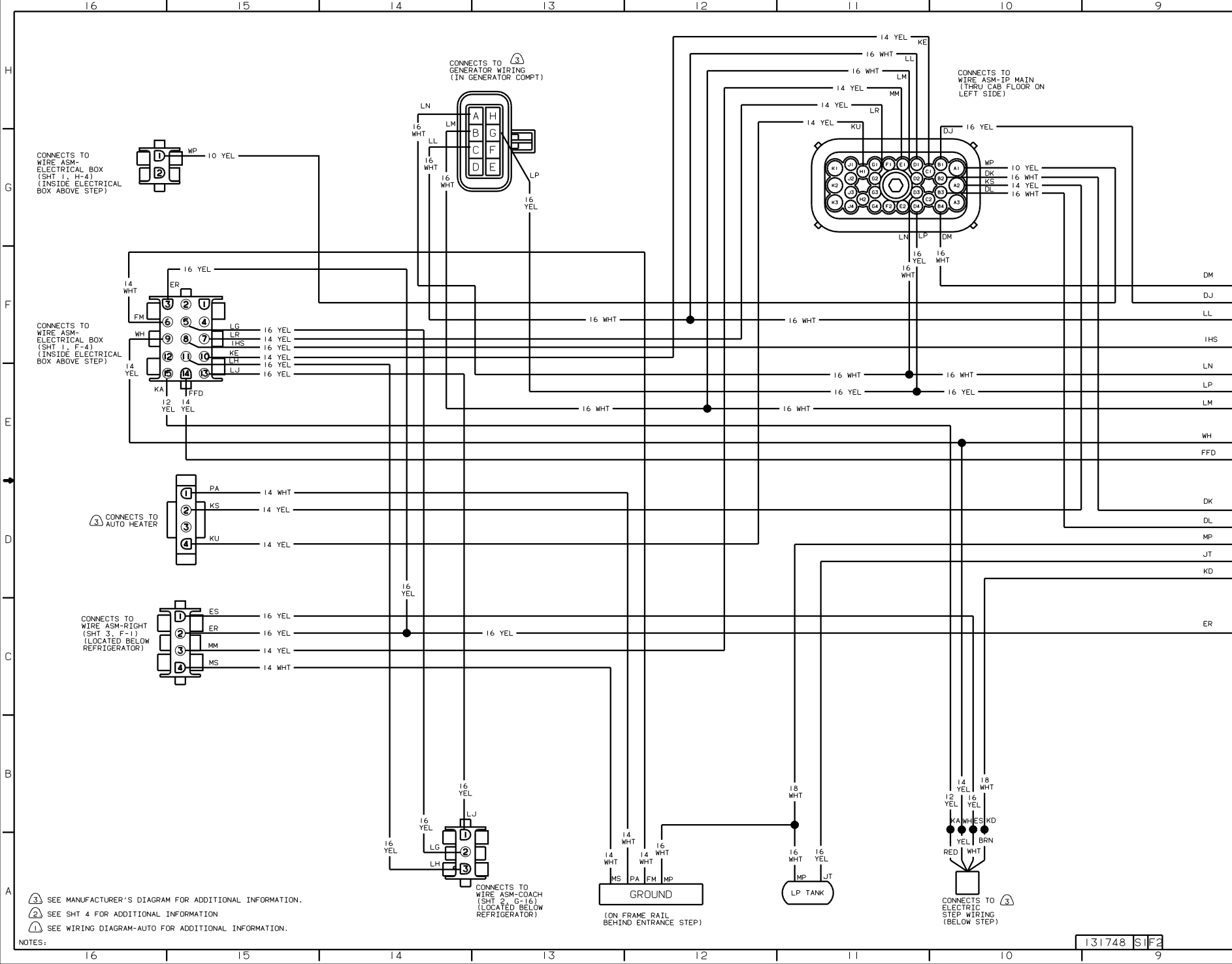
CONNECTS TO
 WIRE ASM-CHASSIS
 (SHT 1, C-5)
 (INSIDE ELECTRICAL BOX
 ABOVE STEP)

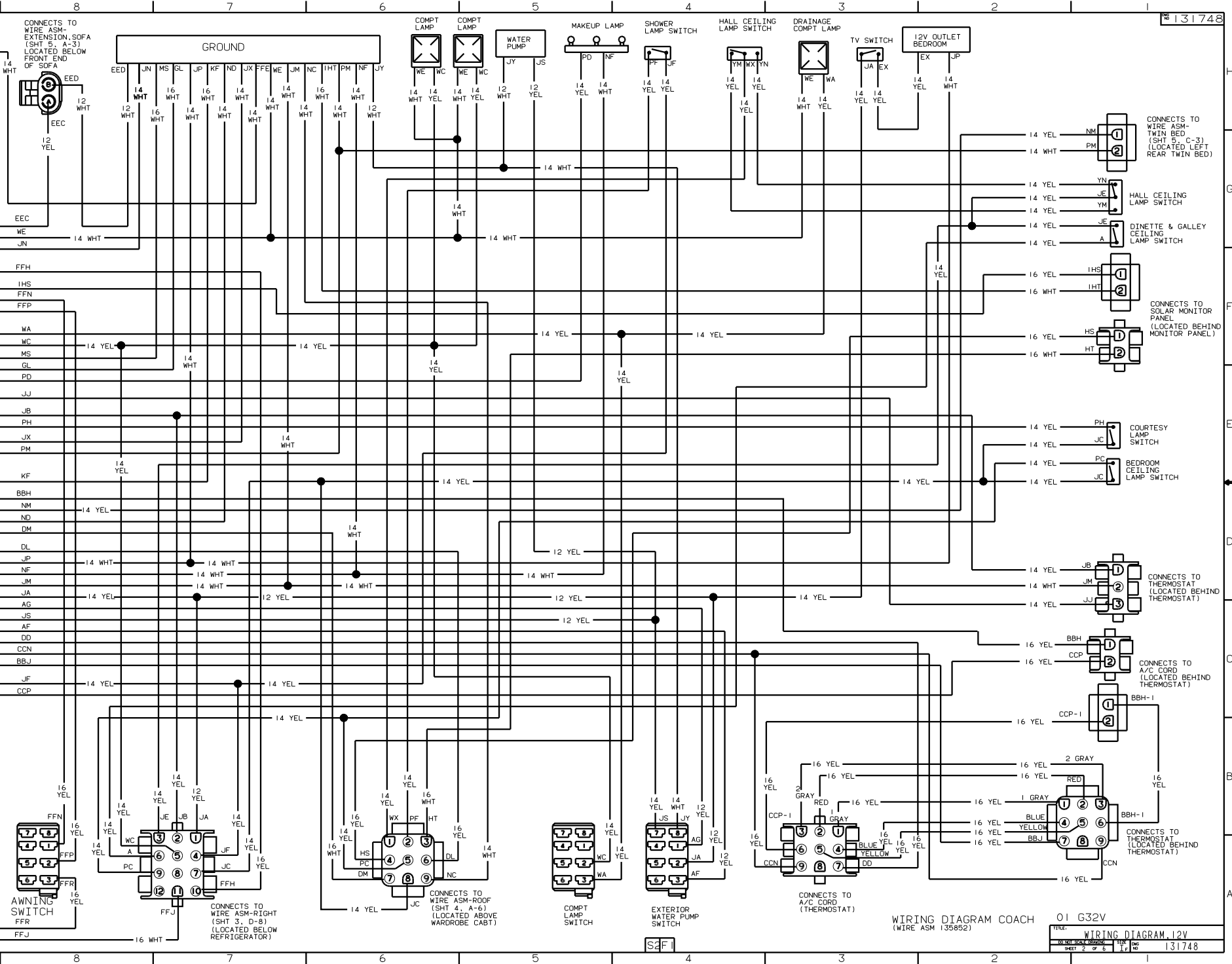
CONNECTS TO
 WIRE ASM-
 ELECTRICAL BOX
 (SHT 1, H-2)
 (INSIDE ELECTRICAL
 BOX ABOVE STEP)

WIRING DIAGRAM-ELECTRICAL BOX
 (WIRE ASM 124125-02)

WIRING DIAGRAM-CHASSIS
 (WIRE ASM 131751-01)

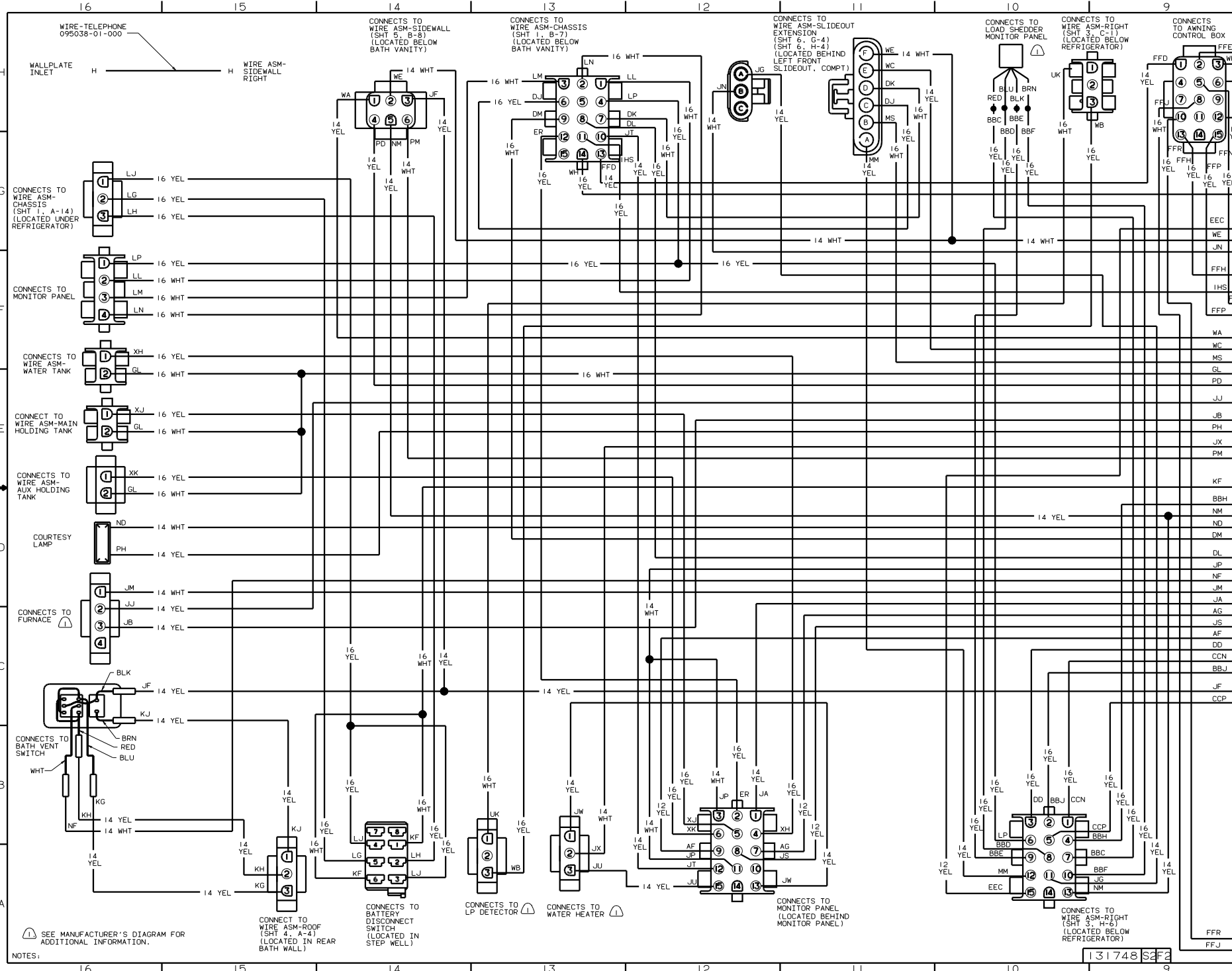
DPTD		DATE	PROCESSED TOLERANCES ARE	MATERIAL
CHWD	DATE	INSPECTION	INSPECTION	
P.E.	DATE	INSPECTION	INSPECTION	
P.L.	DATE	INSPECTION	INSPECTION	
CHWD	DATE	INSPECTION	INSPECTION	
LAYOUT		DATE	TITLE: WINNEBAGO 01 G32V	
DRG #	SCALE	NO. OF SHEETS	WIRING DIAGRAM-BODY 12V	
ALL DIMENSIONS ARE IN MILLIMETERS	SHEET	1 OF 6	NO.	131748





WIRING DIAGRAM COACH

01 G32V



WIRE-TELEPHONE
095038-01-000

WALLPLATE
INLET

WIRE ASM-
SIDEWALL
RIGHT

CONNECTS TO
WIRE ASM-SIDEWALL
(SHT 5, 6-8)
(LOCATED BELOW
BATH VANITY)

CONNECTS TO
WIRE ASM-CHASSIS
(SHT 1, 8-7)
(LOCATED BELOW
BATH VANITY)

CONNECTS TO
WIRE ASM-SLIDEOUT
EXTENSION
(SHT 9, 6-4)
(SHT 6, H-4)
(LOCATED BEHIND
LEFT FRONT
SLIDEOUT, COMPT)

CONNECTS TO
LOAD SHEDDER
MONITOR PANEL

CONNECTS TO
WIRE ASM-RIGHT
(SHT 3, C-1)
(LOCATED BELOW
REFRIGERATOR)

CONNECTS TO
AWNING
CONTROL BOX

CONNECTS TO
WIRE ASM-
CHASSIS
(SHT 1, A-14)
(LOCATED UNDER
REFRIGERATOR)

CONNECTS TO
MONITOR PANEL

CONNECTS TO
WIRE ASM-
WATER TANK

CONNECT TO
WIRE ASM-MAIN
HOLDING TANK

CONNECTS TO
WIRE ASM-
AUX HOLDING
TANK

COURTESY
LAMP

CONNECTS TO
FURNACE

CONNECTS TO
BATH VENT
SWITCH

CONNECT TO
WIRE ASM-ROOF
(SHT 4, K-4)
(LOCATED IN REAR
BATH WALL)

CONNECTS TO
BATTERY
DISCONNECT
SWITCH
(LOCATED IN
STEP WELL)

CONNECTS TO
LP DETECTOR

CONNECTS TO
WATER HEATER

CONNECTS TO
MONITOR PANEL
(LOCATED BEHIND
MONITOR PANEL)

CONNECTS TO
WIRE ASM-RIGHT
(SHT 3, H-6)
(LOCATED BELOW
REFRIGERATOR)

NOTES:
SEE MANUFACTURER'S DIAGRAM FOR
ADDITIONAL INFORMATION.

CONNECTS TO WIRE ASM-COACH (SHT 2, A-10) (LOCATED BELOW REFRIGERATOR)

GROUND

ISOLATED STUD

ELECTRIC STEP KILL SWITCH

CONNECTS TO LOAD SHEDDER CONTROL BOARD

MARKER LAMP

CONNECTS TO WIRE ASM-COACH (SHT 2, A-7) (LOCATED BELOW REFRIGERATOR)

PORCH STEP LAMP SWITCH

CEILING LAMP SWITCH

COMPARTMENT LAMP

STEP LAMP

CONNECTS TO WIRE ASM-SIDEWALL, RIGHT (SHT 5, A-6) (LOCATED IN BASE OF REFRIGERATOR CABINET)

REFRIGERATOR

CONNECTS TO WIRE ASM-ROOF (SHT 4, H-5) (LOCATED ABOVE MICROWAVE)

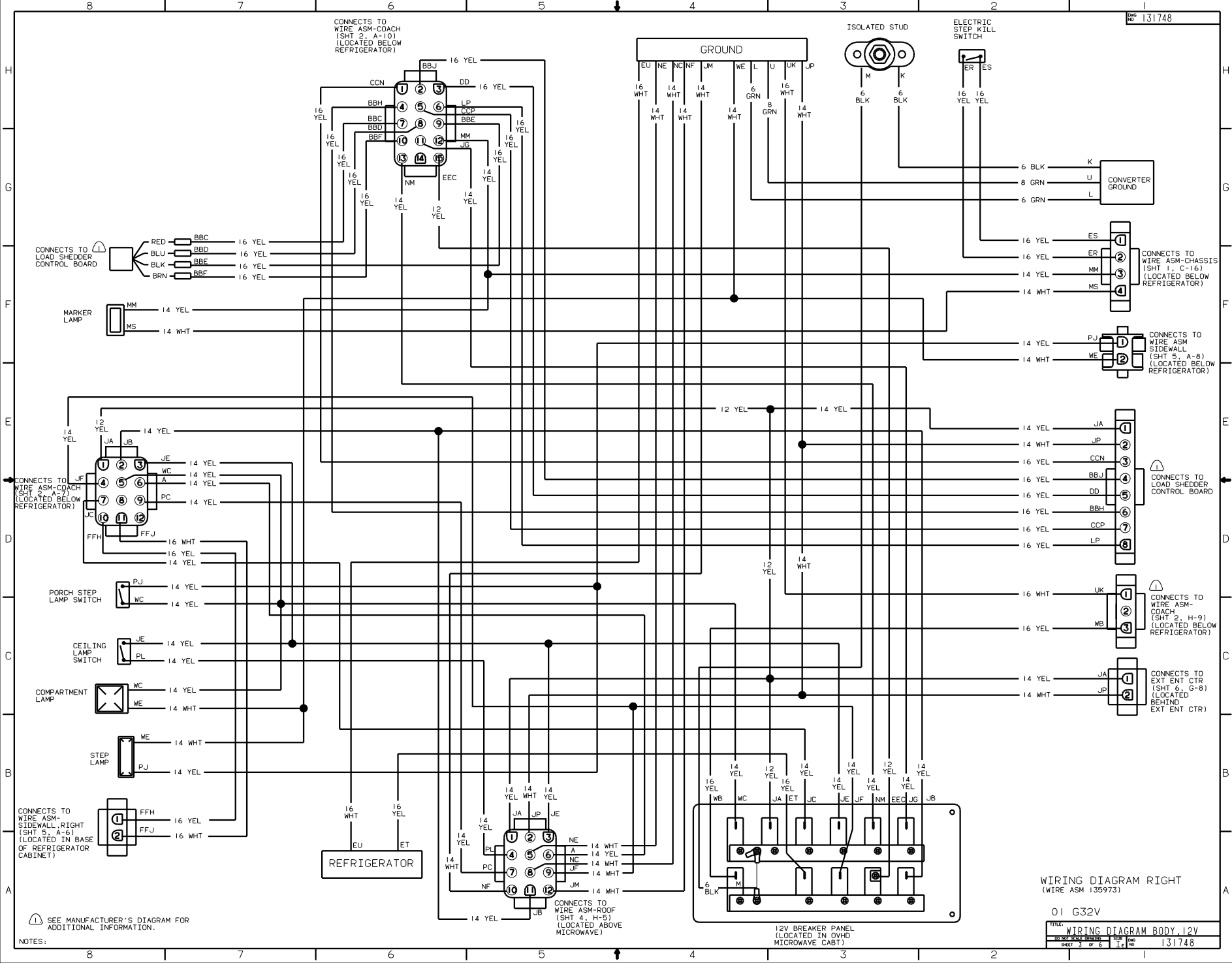
12V BREAKER PANEL (LOCATED IN OVHD MICROWAVE CABT)

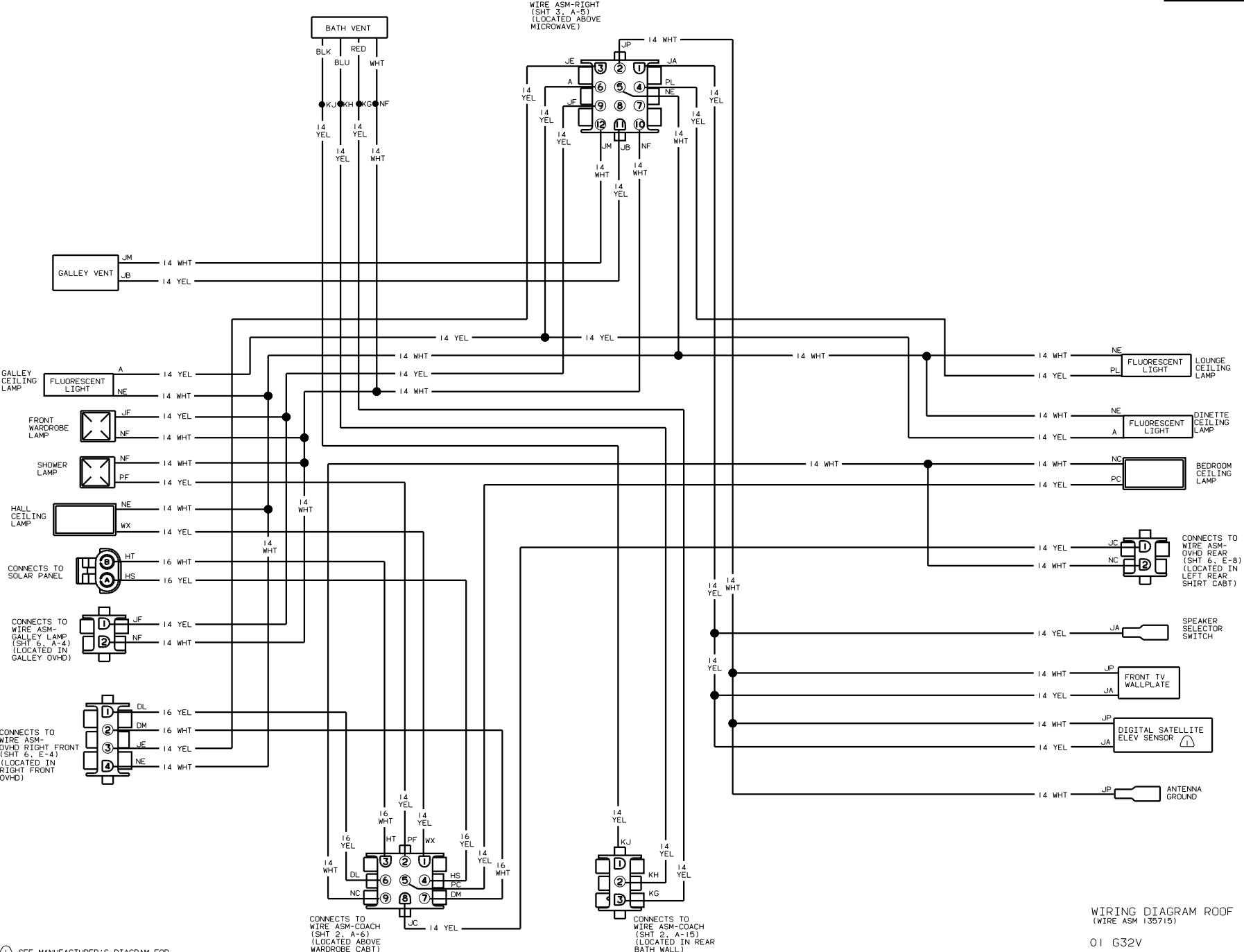
WIRING DIAGRAM RIGHT (WIRE ASM 135973)

01 G32V

TITLE: WIRING DIAGRAM BODY_12V
NO. OF SHEETS: 6
SHEET: 3 OF 6
DATE: 11/1/80
REV: 1

NOTES: SEE MANUFACTURER'S DIAGRAM FOR ADDITIONAL INFORMATION.



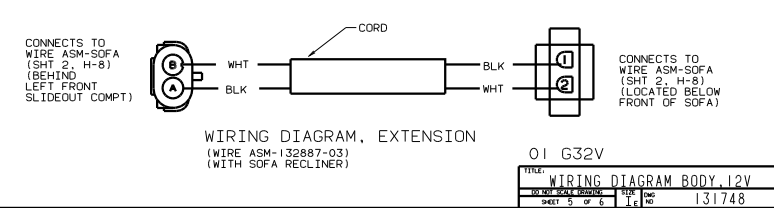
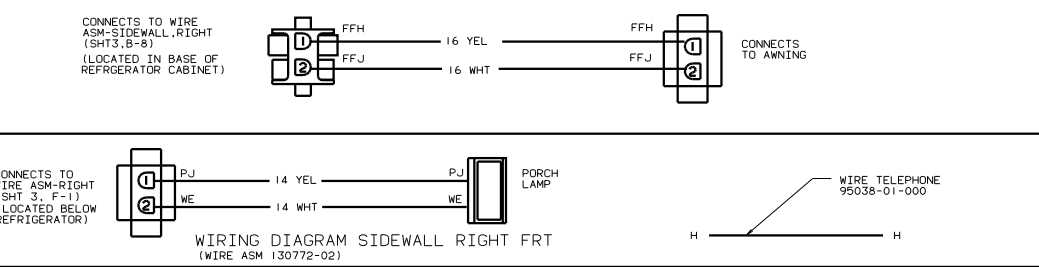
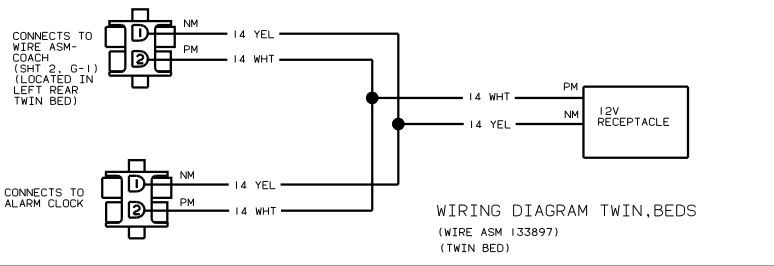
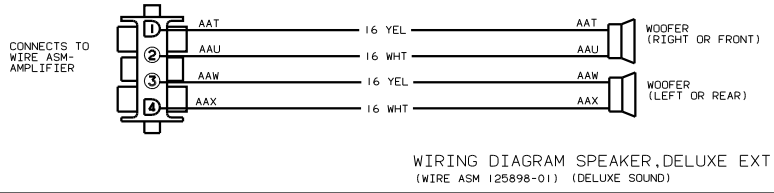
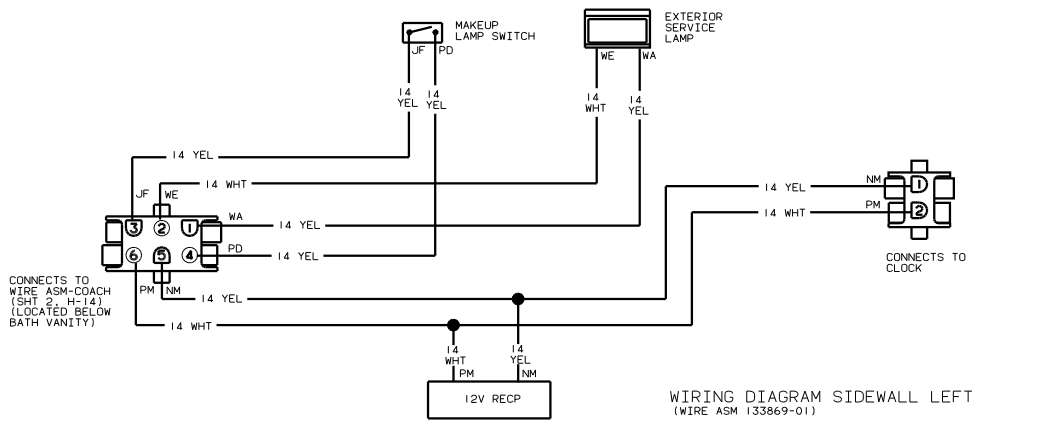
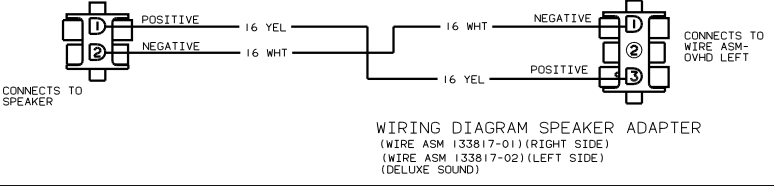
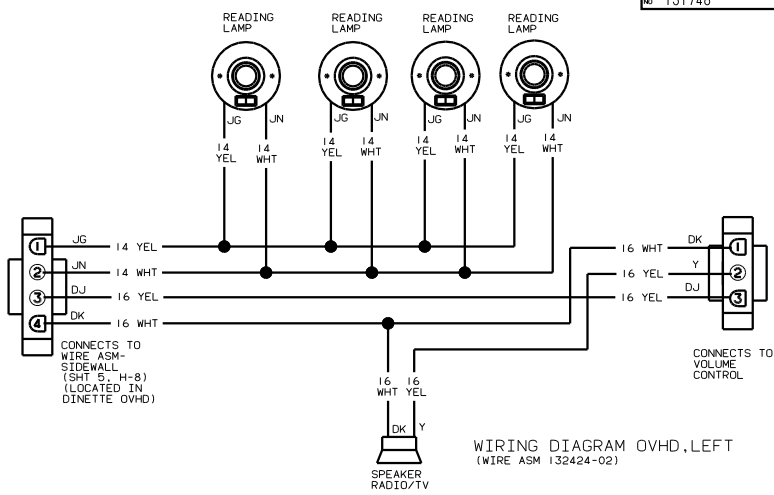
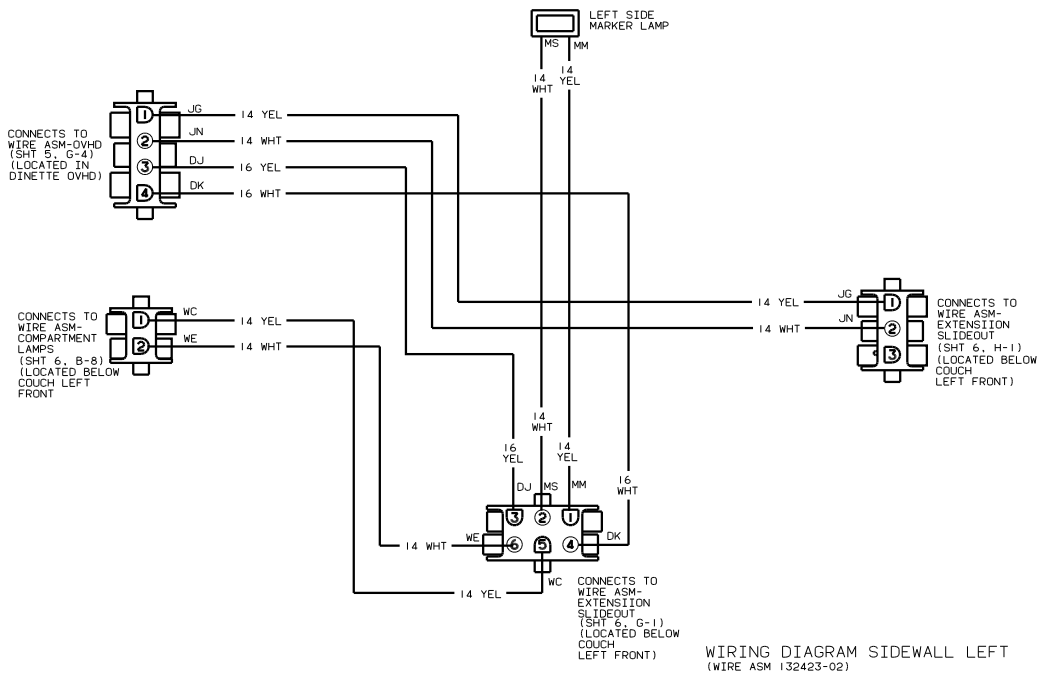


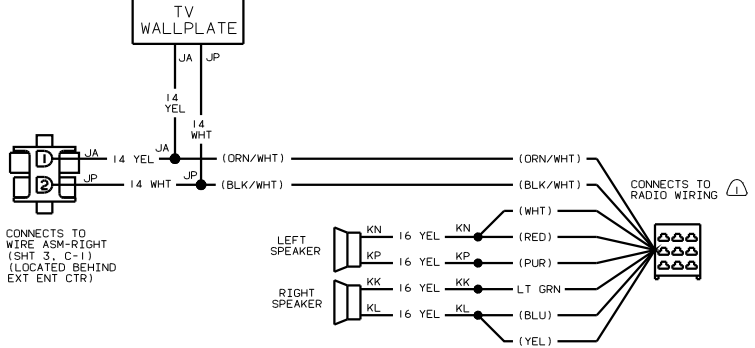
NOTES: SEE MANUFACTURER'S DIAGRAM FOR ADDITIONAL INFORMATION.

WIRING DIAGRAM ROOF (WIRE ASM 135715)

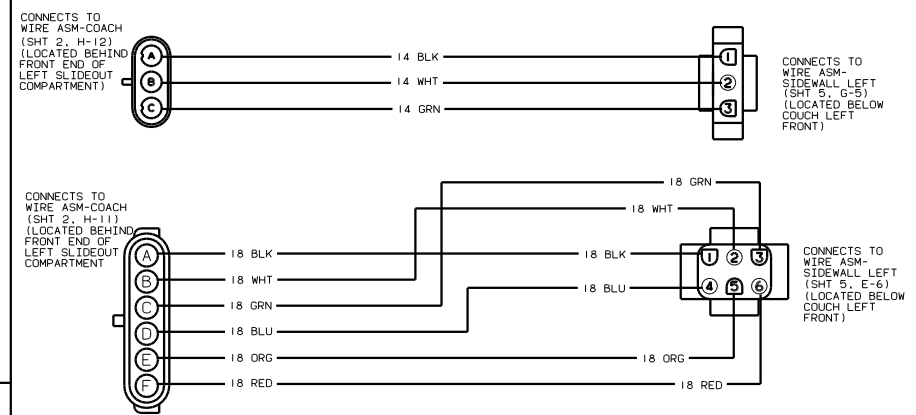
01 G32V

TITLE: WIRING DIAGRAM BODY_12V	
DO NOT SCALE DRAWING	FILE NO: 131748
SHEET 4 OF 6	1.0

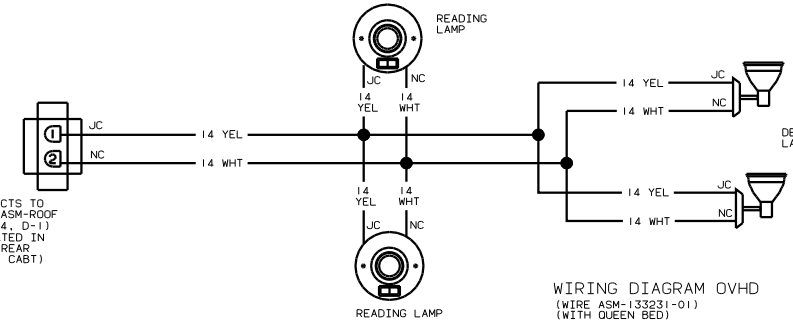




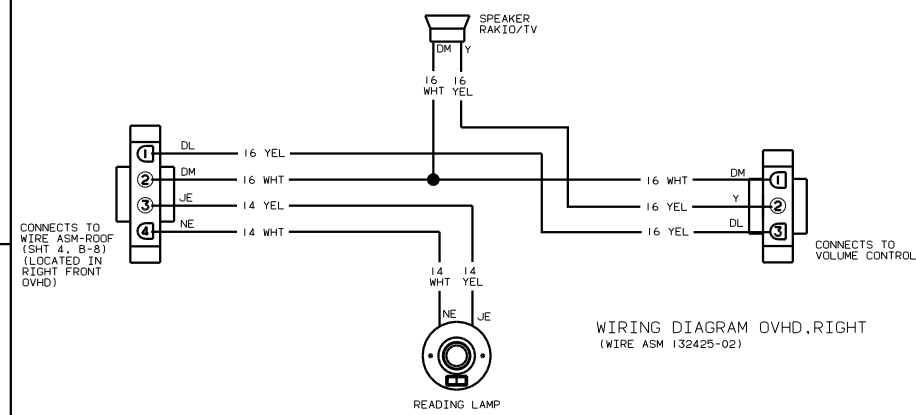
WIRING DIAGRAM-EXT ENT CTR
(WIRE ASM 125853-01)
(WITH EXTERIOR ENTERTAINMENT CENTER)



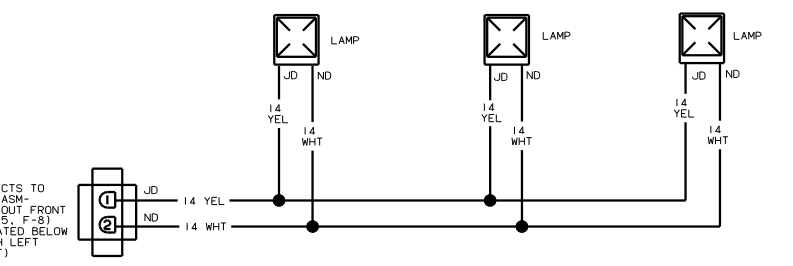
WIRING DIAGRAM EXTENSION SLIDEOUT
(WIRE ASM 132887)



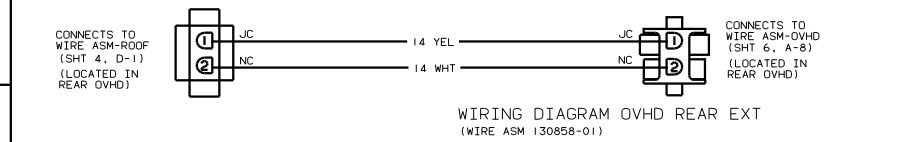
WIRING DIAGRAM OVHD
(WIRE ASM-133231-01)
(WITH QUEEN BED)



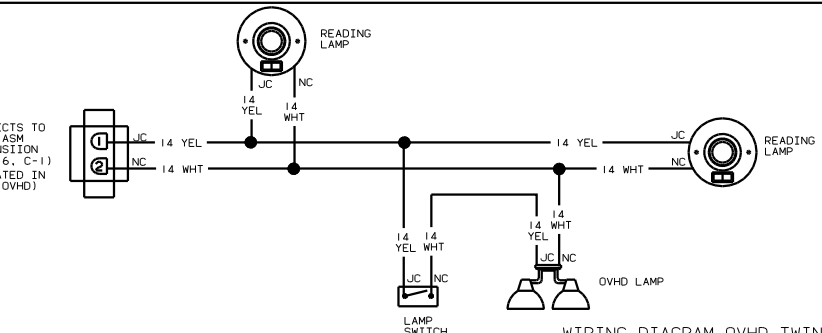
WIRING DIAGRAM OVHD, RIGHT
(WIRE ASM 132425-02)



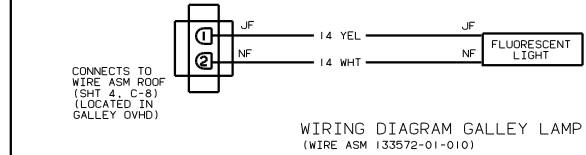
WIRING DIAGRAM COMPT SLIDEOUT
(WIRE ASM 129295)



WIRING DIAGRAM OVHD REAR EXT
(WIRE ASM 130858-01)



WIRING DIAGRAM OVHD TWIN
(WIRE ASM 134221) (TWIN BED)



WIRING DIAGRAM GALLEY LAMP
(WIRE ASM 133572-01-010)

NOTES:
1. SEE MANUFACTURER'S DIAGRAM FOR ADDITIONAL INFORMATION.