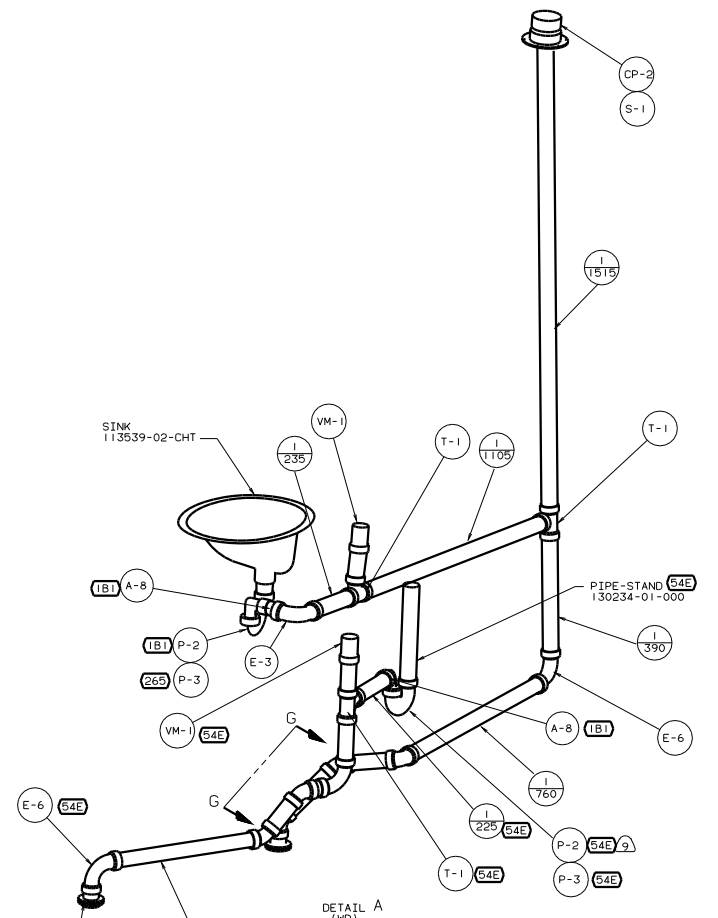
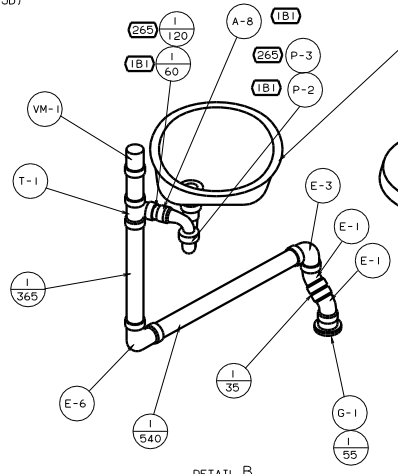


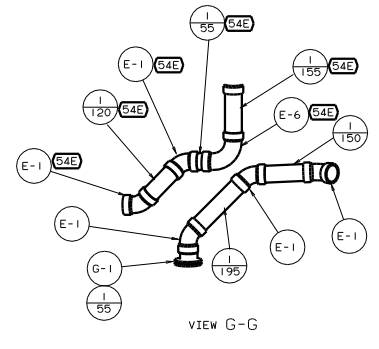
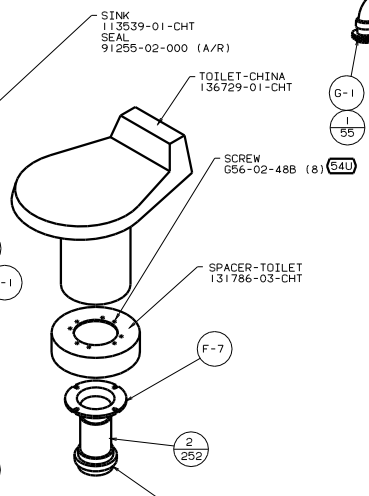
DETAIL A (J. JD)



DETAIL A (WD)

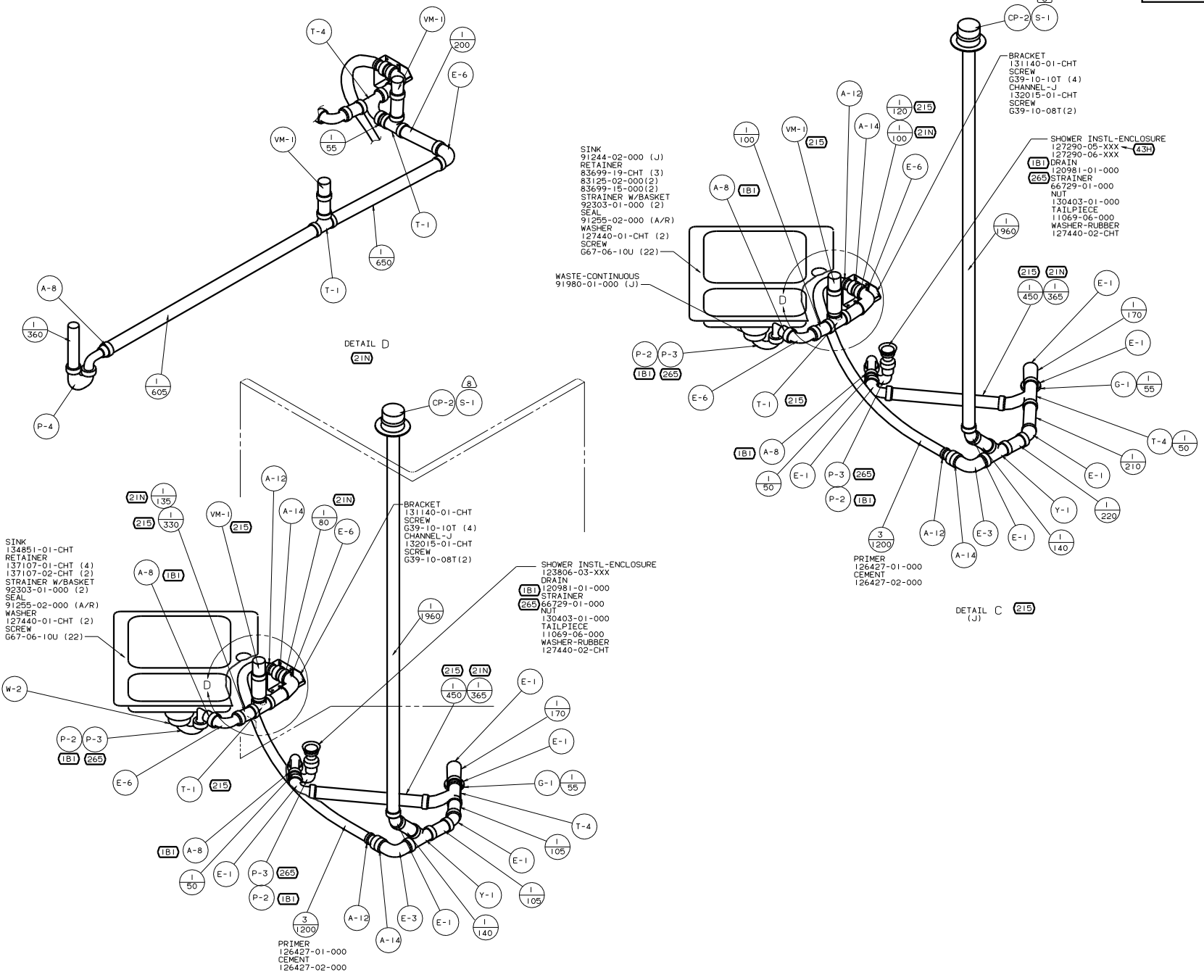


DETAIL B



VIEW G-G

01 Q40J/JD	
TITLE	DRAINAGE SYSTEM INSTL
NO. OF SHEETS	2 OF 3
DATE	1/16
DWG. NO.	135148



- SINK 91244-02-000 (J)
- RETAINER 83699-19-CHT (3)
- 83128-02-000(2)
- 83699-15-000(2)
- STRAINER W/BASKET 92303-01-000 (2)
- SEAL 91255-02-000 (A/R)
- WASHER 127440-01-CHT (2)
- SCREW 667-06-10U (22)

- WASTE-CONTINUOUS 91980-01-000 (J)

- BRACKET 131140-01-CHT
- SCREW G39-10-10T (4)
- CHANNEL-J 132015-01-CHT
- SCREW G39-10-08T (2)

- SHOWER INSTL-ENCLOSURE 127290-05-XXX
- DRAIN 127290-06-XXX
- STRAINER 120981-01-000
- NUT 66729-01-000
- 130403-01-000
- TAILPIECE 11069-06-000
- WASHER-RUBBER 127440-02-CHT

- SINK 134851-01-CHT
- RETAINER 137107-01-CHT (4)
- 137107-02-CHT (2)
- STRAINER W/BASKET 92303-01-000 (2)
- SEAL 91255-02-000 (A/R)
- WASHER 127440-01-CHT (2)
- SCREW 667-06-10U (22)

- BRACKET 131140-01-CHT
- SCREW G39-10-10T (4)
- CHANNEL-J 132015-01-CHT
- SCREW G39-10-08T (2)

- SHOWER INSTL-ENCLOSURE 123806-03-XXX
- DRAIN 120981-01-000
- STRAINER 66729-01-000
- NUT 130403-01-000
- TAILPIECE 11069-06-000
- WASHER-RUBBER 127440-02-CHT

- PRIMER 126427-01-000
- CEMENT 126427-02-000

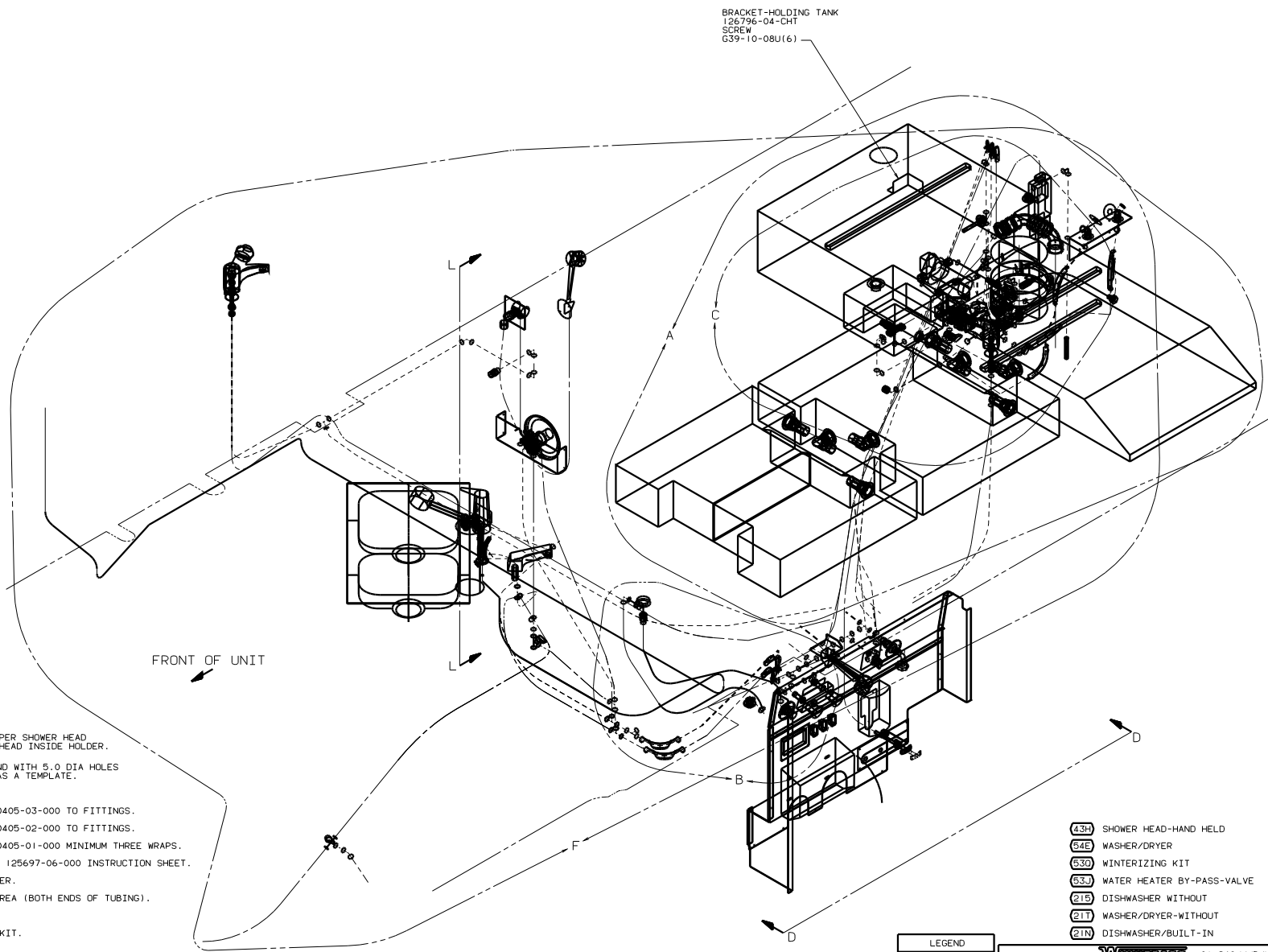
DETAIL D (21N)

DETAIL C (21B)

DETAIL C (21B) (WD. JD.)

DETAIL C (21B) (J)

DWG NO	MODEL
135145-01	Q40J
135145-02	Q40JD
135145-03	Q40WD



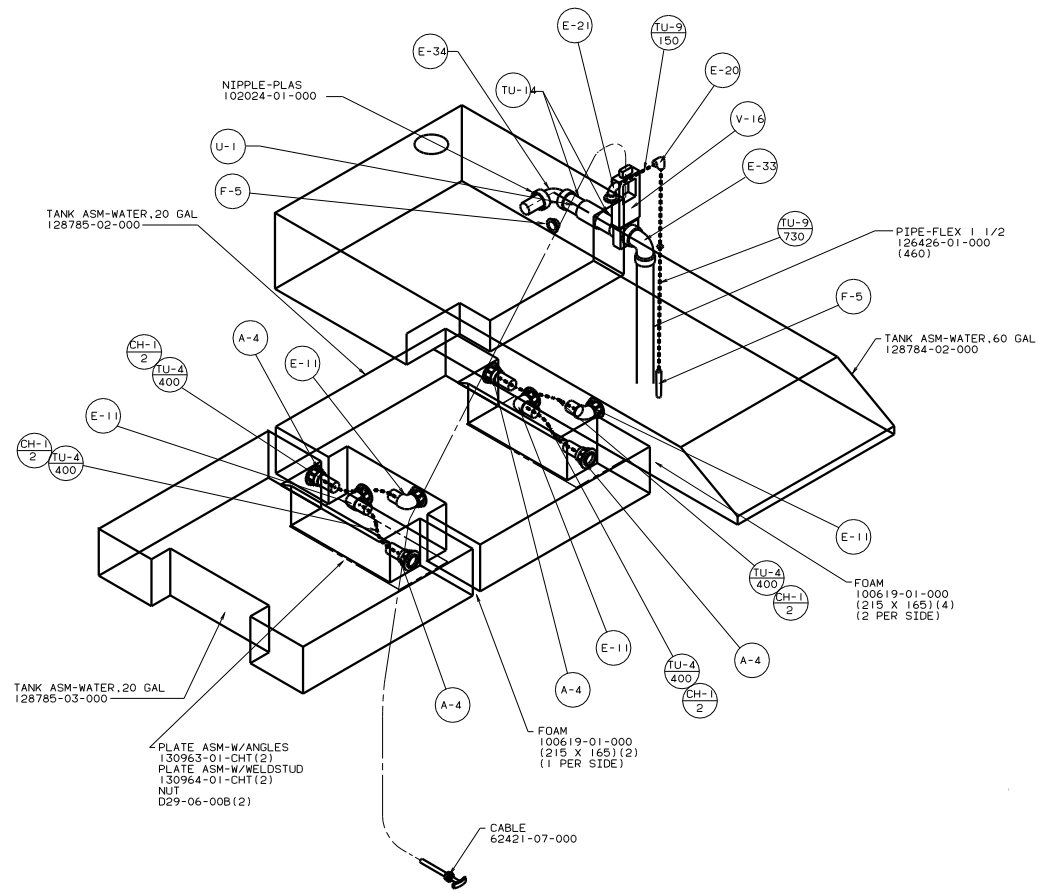
- 15. APPLY DECAL INSIDE OF UPPER SHOWER HEAD HOLDER TO RETAIN SHOWER HEAD INSIDE HOLDER.
 - 14. PRE-DRILL SHOWER SURROUND WITH 5.0 DIA HOLES USING MOUNTING BRACKET AS A TEMPLATE.
 - 13. WITHOUT (43H)
 - 12. WRAP WITH TEFLON TAPE 10405-03-000 TO FITTINGS.
 - 11. WRAP WITH TEFLON TAPE 10405-02-000 TO FITTINGS.
 - 10. WRAP WITH TEFLON TAPE 10405-01-000 MINIMUM THREE WRAPS.
 - 9. FLUSHING SYSTEM REQUIRES 125697-06-000 INSTRUCTION SHEET.
 - 8. LOCATE BEHIND WASHER/DRYER.
 - 7. USE DETAIL "G" IN THIS AREA (BOTH ENDS OF TUBING).
 - 6. INSTALL WITH TANK.
 - 5. USE WITHOUT WINTERIZING KIT.
 - 4. INSTALL ON LINE.
3. ALL TUBING TO BE SECURED AT 1200 INTERVALS MAXIMUM WITH CLAMP 10495-01-000 OR CLIP 91951-01-000 AND SCREW G67-10-12B.
2. TUBING TO BE INSTALLED WITH SUFFICIENT SLOPE TO PROVIDE DRAINAGE TO NEAREST VALVE.
1. PLASTIC FITTINGS TO BE SEALED WITH SEALANT 84456-01-000.

- (43H) SHOWER HEAD-HAND HELD
- (54E) WASHER/DRYER
- (630) WINTERIZING KIT
- (63J) WATER HEATER BY-PASS-VALVE
- (21S) DISHWASHER WITHOUT
- (21T) WASHER/DRYER-WITHOUT
- (21N) DISHWASHER/BUILT-IN

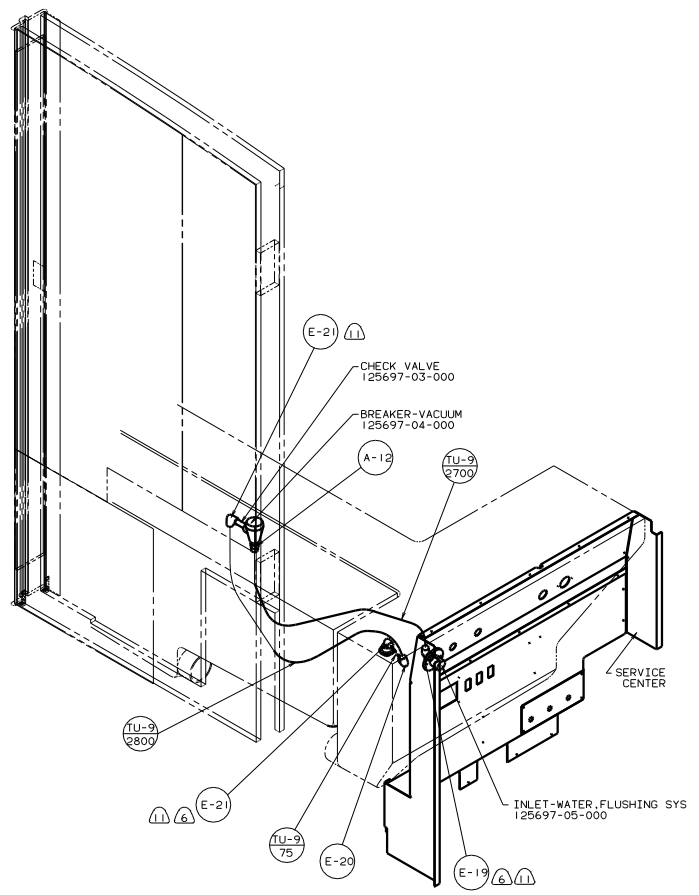
LEGEND		WINNEBAGO	
HOT	●●●●●●●●	DATE	UNSPECIFIED TOLERANCES ARE:
COLD	●●●●●●●●	DATE	WHOLE DIM (IN) ± .5
		DATE	ONE-PLACE (IN, IN) .1
		DATE	TWO-PLACE (IN, IN) .01
		DATE	THIRD-PLACE (IN, IN) .001
		DATE	FINISH: W/PLATE PRODUCTION
		DATE	FINISH: W/PLATE PRODUCTION

FOR WATER CALLOUTS SEE DWG NO. 116230-01-000	DATE	UNSPECIFIED TOLERANCES ARE:
	DATE	WHOLE DIM (IN) ± .5
	DATE	ONE-PLACE (IN, IN) .1
	DATE	TWO-PLACE (IN, IN) .01
	DATE	THIRD-PLACE (IN, IN) .001
	DATE	FINISH: W/PLATE PRODUCTION
	DATE	FINISH: W/PLATE PRODUCTION

DATE	UNSPECIFIED TOLERANCES ARE:
DATE	WHOLE DIM (IN) ± .5
DATE	ONE-PLACE (IN, IN) .1
DATE	TWO-PLACE (IN, IN) .01
DATE	THIRD-PLACE (IN, IN) .001
DATE	FINISH: W/PLATE PRODUCTION
DATE	FINISH: W/PLATE PRODUCTION



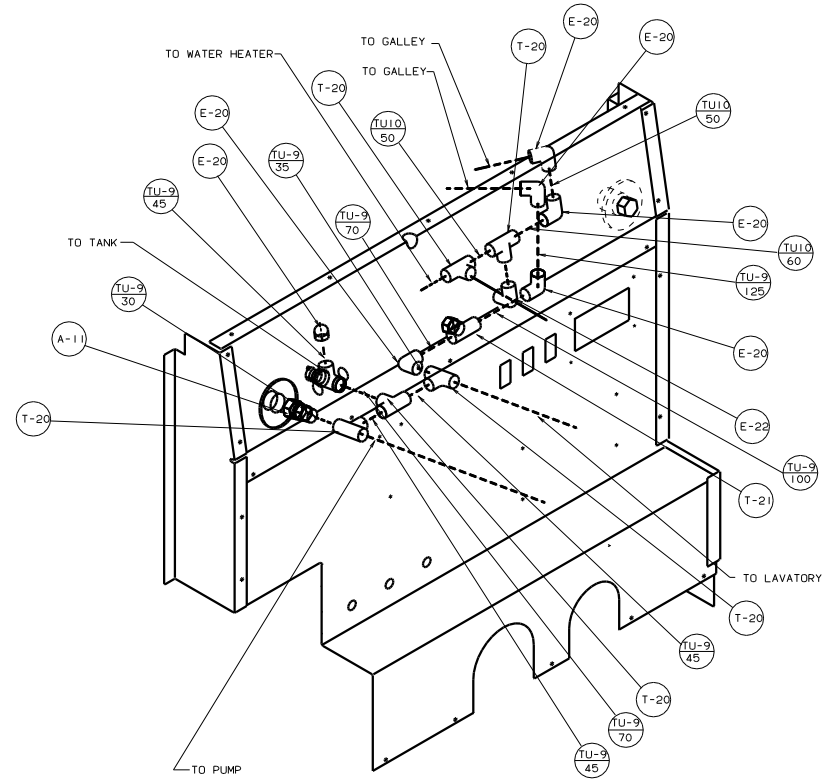
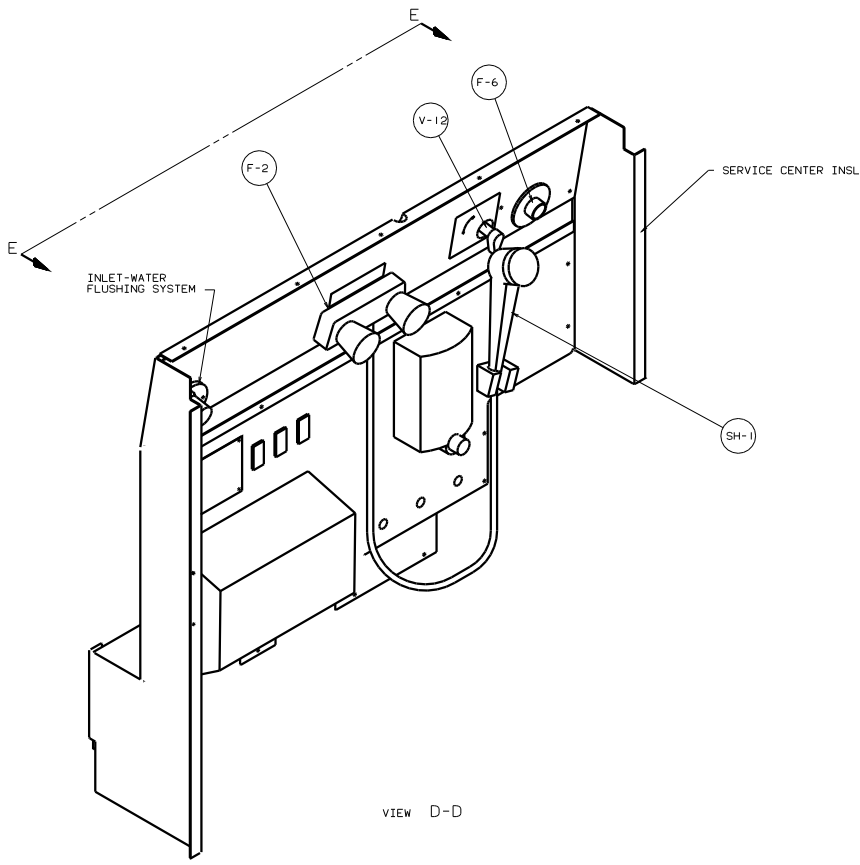
DETAIL A



DETAIL B
FLUSHING SYSTEM

01 Q40J/JD

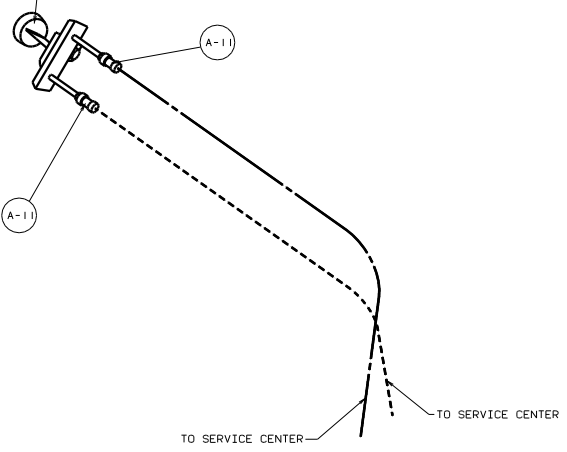
TITLE		WATER SYSTEM INSTL	
30	NO SCALE DRAWING	16	DATE
SHEET	2 OF 8	1.E	NO
		135145	



01 Q40J/JD

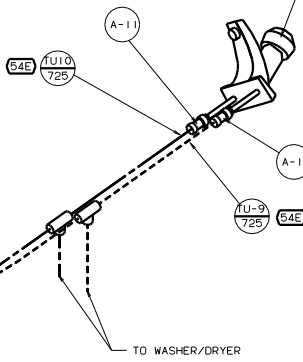
TITLE: WATER SYSTEM INSL	
NO. OF SHEETS	TOT. SHEETS
4 OF 8	16
135145	

FAUCET
128997-01-CHT (40J)
FAUCET
134735-01-CHT (40JD,40WD)
POP UP FAUCET
110760-04-000 (JD,WD)



DETAIL H

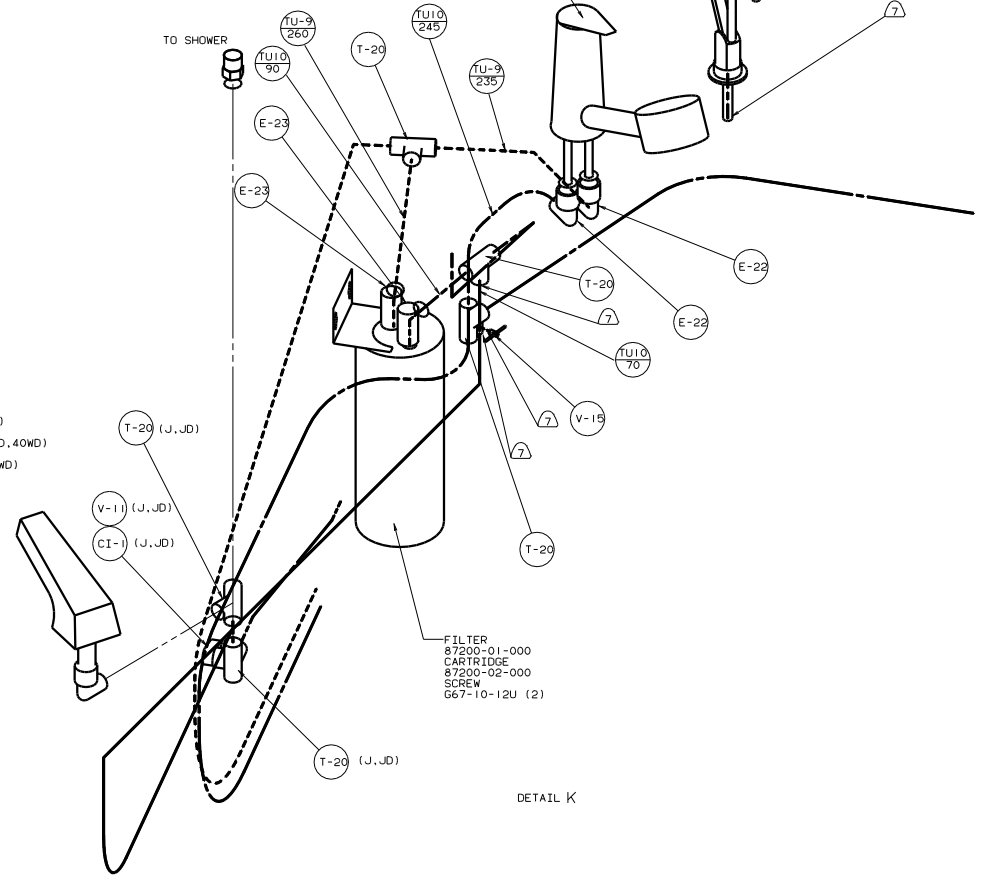
FAUCET
128997-01-CHT (40J)
FAUCET
134735-01-CHT (40JD,40WD)
POP UP FAUCET
110760-04-000 (JD,WD)



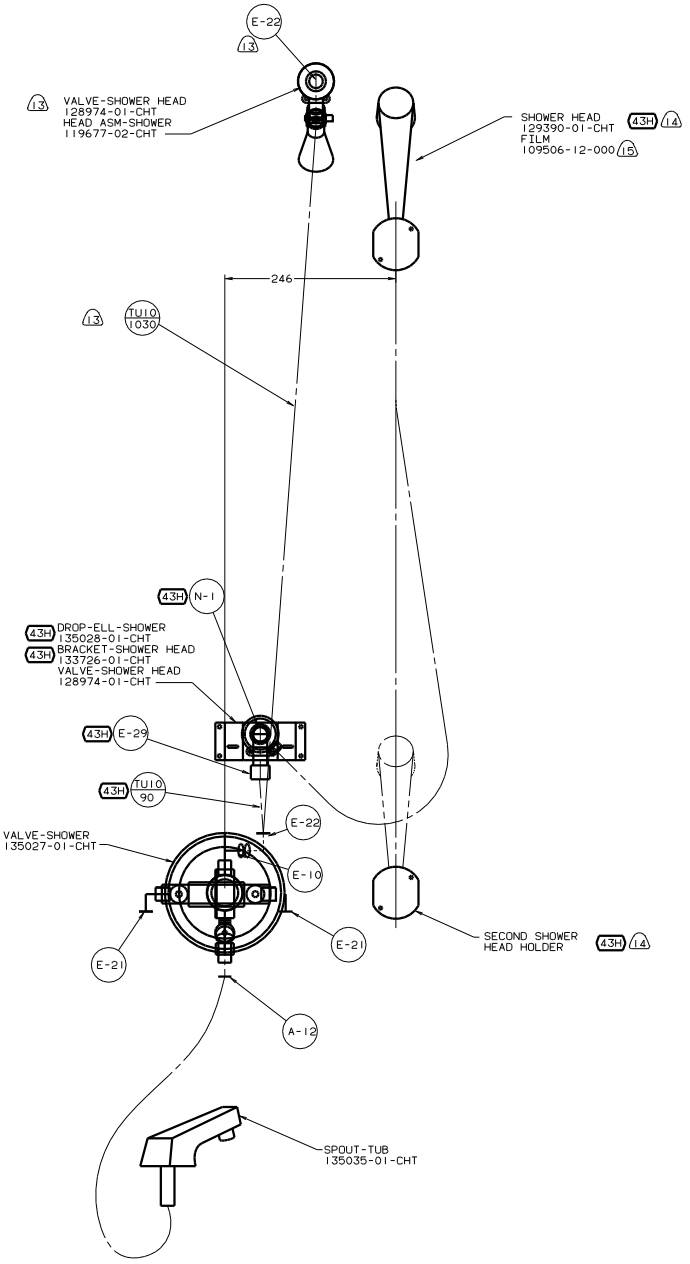
DETAIL J

FAUCET
123744-03-CHT (40J)
123744-01-CHT (40JD,40WD)

FAUCET
103635-01-000 (40J)
103635-02-000 (40JD,40WD)



DETAIL K



VIEW L-L

01 Q40J/JD/WD

TITLE		WATER SYSTEM INSTL	
NO. OF SHEETS	TOTAL SHEETS	REV.	DATE
8	8	1.1	11/01/05