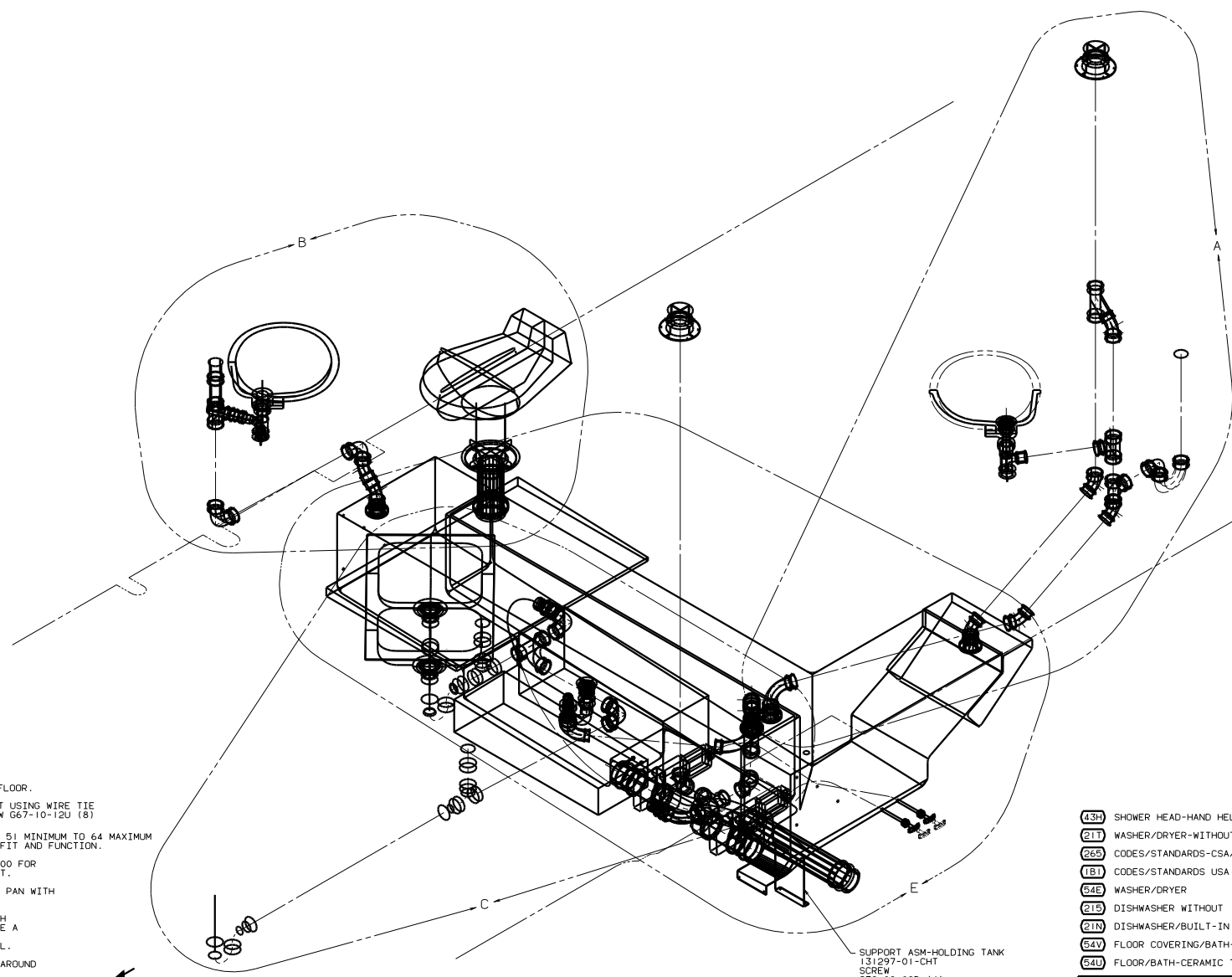


| DWG NO | MODEL |
|-----------|-------|
| 135148-01 | Q40J |
| 135148-02 | Q40JD |
| 135148-03 | Q40WD |

RELEASE BY: DATE: 11/11/05 135148
 REVISION RECORD: DATE: 07/19/06



- (12) USE WITH Q40J.
 - (11) USE WITH Q40JD.
 - (10) SECURE DRAIN TUBES TO FLOOR.
 - (9) SECURE PIPES TO CABINET USING WIRE TIE 108046-02-000 AND SCREW G67-10-12U (8)
 - (8) VENT PIPE MUST PROJECT 51 MINIMUM TO 64 MAXIMUM ABOVE ROOF FOR PROPER FIT AND FUNCTION.
 - (7) SEE DRAWING 61607-01-000 FOR INSTALLATION OF GROMMET.
 - (6) SEAL ALL AROUND SHOWER PAN WITH SILICONE 78474-01-CHT.
5. FOR CANADIAN UNITS EACH HOLDING TANK SHALL HAVE A CSA APPROVAL STAMPED NEAR THE IAMPO APPROVAL.
4. ALL EXTERIOR OPENINGS AROUND PIPE TO BE SEALED WITH 69637-01-000
3. ALL PIPE AND FITTINGS TO BE ASSEMBLED WITH SOLVENT 4020-01-000
2. SLOPE OF TRAP MUST BE 6 PER 300 MINIMUM.
1. SLOPE OF HORIZONTAL PIPING TO BE 6 PER 300 MINIMUM.

SUPPORT ASM-HOLDING TANK
 131297-01-CHT
 SCREW
 G39-08-08B (4)

- (43H) SHOWER HEAD-HAND HELD
- (21T) WASHER/DRYER-WITHOUT
- (26B) CODES/STANDARDS-CSA/CMVSS
- (1B1) CODES/STANDARDS USA
- (64E) WASHER/DRYER
- (21B) DISHWASHER WITHOUT
- (21W) DISHWASHER/BUILT-IN
- (64V) FLOOR COVERING/BATH-VINYL
- (64U) FLOOR/BATH-CERAMIC TILE

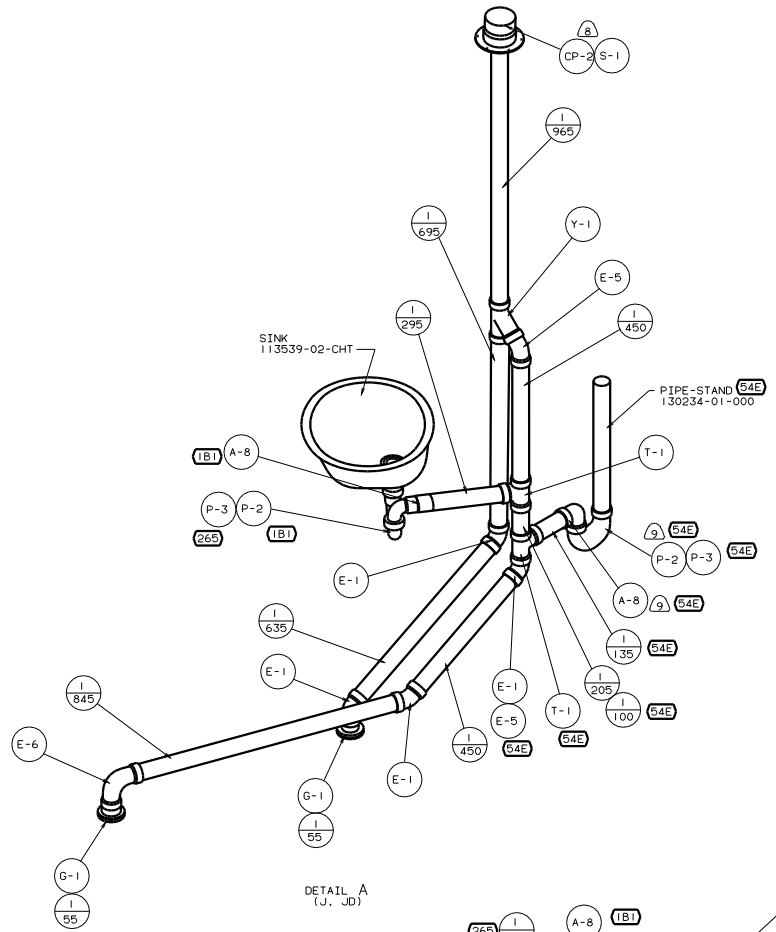
(X-X)
 FOR DRAINAGE CALLOUTS SEE DWG NO. 116229-01-000

| DATE | | UNSPECIFIED TOLERANCES ARE: | | MATERIAL | |
|------|------|-----------------------------|-------------|----------|------|
| DATE | DATE | WHOLE DIM (IN) | FRACTION | DATE | DATE |
| DATE | DATE | ONE-PLACE (IN,MM) | INCHES | DATE | DATE |
| DATE | DATE | TWO-PLACE (IN,MM) | MILLIMETERS | DATE | DATE |
| DATE | DATE | THIRD-PLACE (IN,MM) | MILLIMETERS | DATE | DATE |
| DATE | DATE | FOUR-PLACE (IN,MM) | MILLIMETERS | DATE | DATE |
| DATE | DATE | FIVE-PLACE (IN,MM) | MILLIMETERS | DATE | DATE |
| DATE | DATE | SIX-PLACE (IN,MM) | MILLIMETERS | DATE | DATE |
| DATE | DATE | SEVEN-PLACE (IN,MM) | MILLIMETERS | DATE | DATE |
| DATE | DATE | EIGHT-PLACE (IN,MM) | MILLIMETERS | DATE | DATE |
| DATE | DATE | NINE-PLACE (IN,MM) | MILLIMETERS | DATE | DATE |
| DATE | DATE | TEN-PLACE (IN,MM) | MILLIMETERS | DATE | DATE |

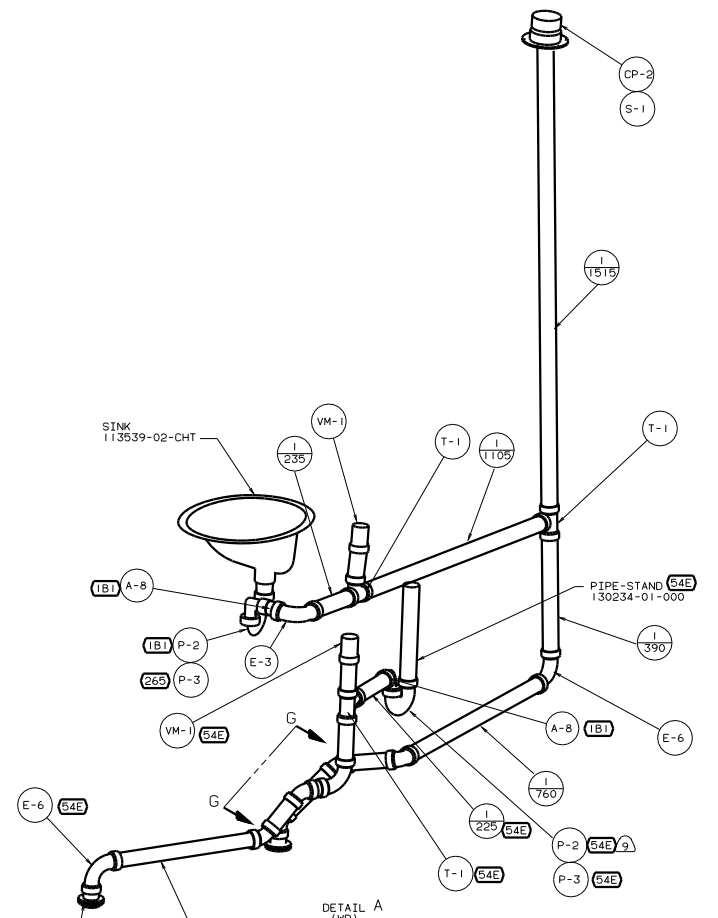
WINNEBAGO O1 Q40JD

DRAINAGE SYSTEM INSTL

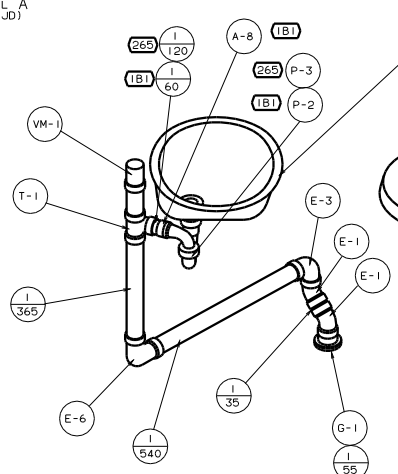
135148



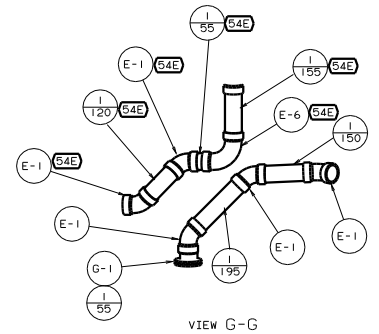
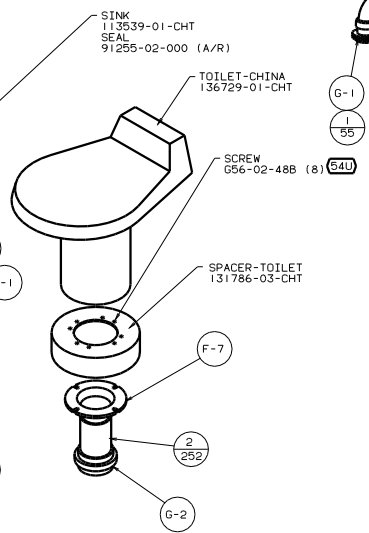
DETAIL A (J. JD)



DETAIL A (WD)

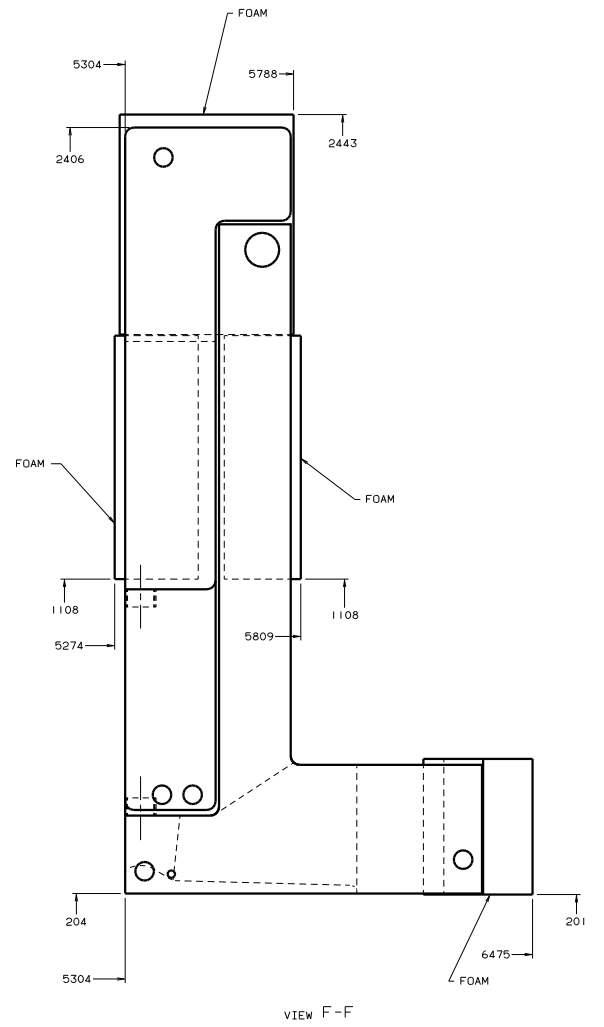
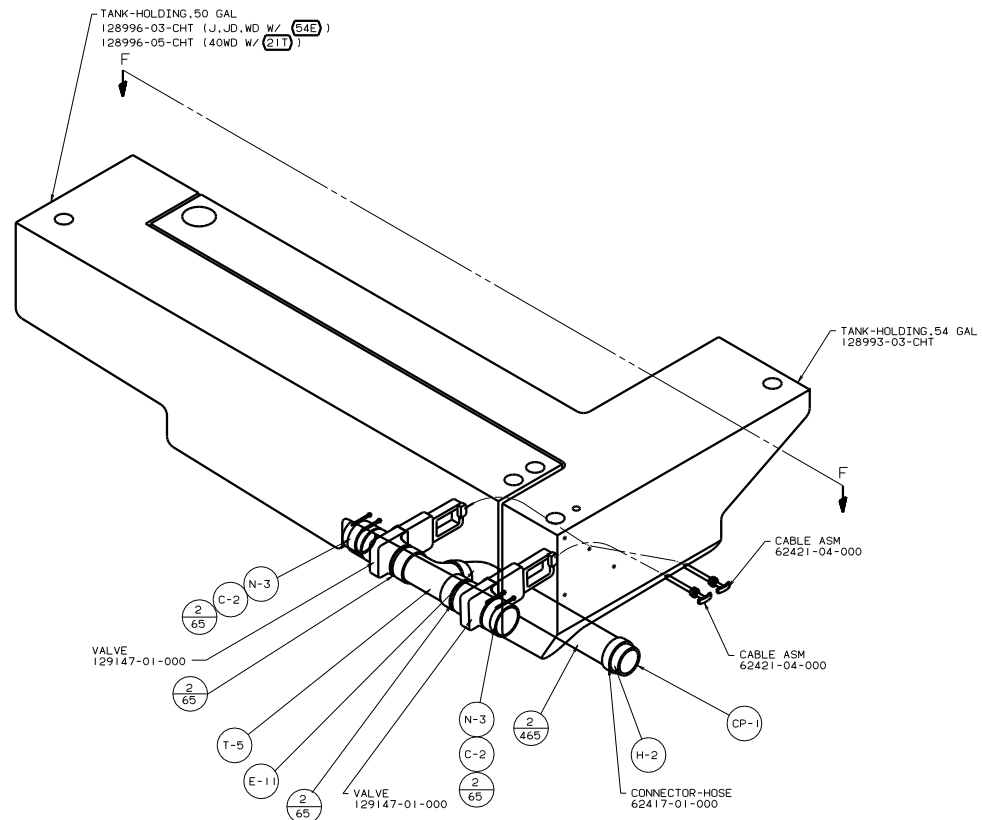


DETAIL B



VIEW G-G

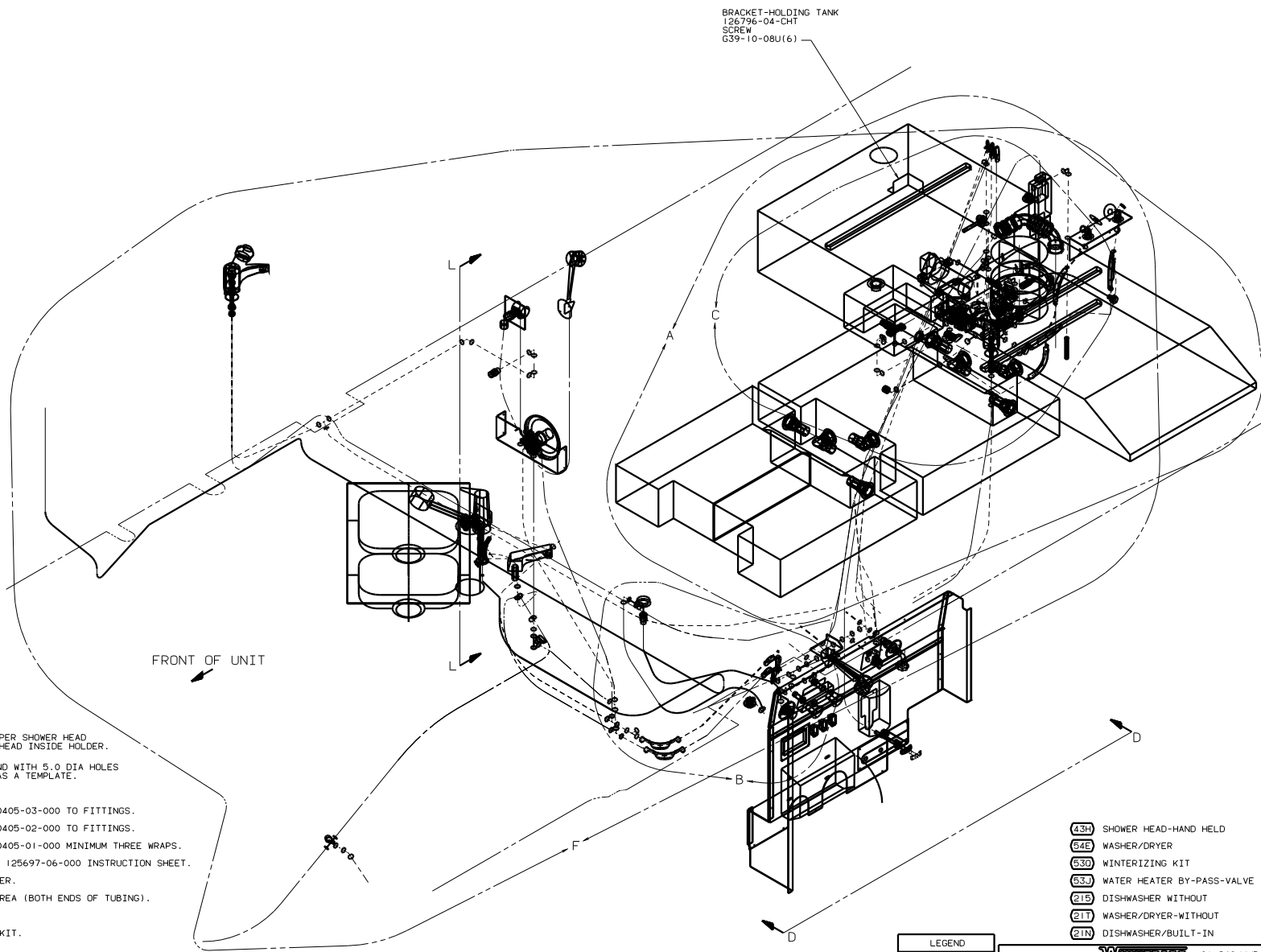
| | |
|---------------|-----------------------|
| 01 Q40J/JD | |
| TITLE | DRAINAGE SYSTEM INSTL |
| NO. OF SHEETS | 2 OF 3 |
| DATE | 1.6.00 |
| DWG. NO. | 135148 |



01 Q40J/JD

| | | | |
|------------------------------|----------|----------------|-----------|
| TITLE: DRAINAGE SYSTEM INSTL | | DWG NO: 135148 | |
| DATE: 11/11/05 | BY: J.E. | CHK: J.E. | APP: J.E. |
| SHEET 3 OF 4 | | JOB NO: 135148 | |

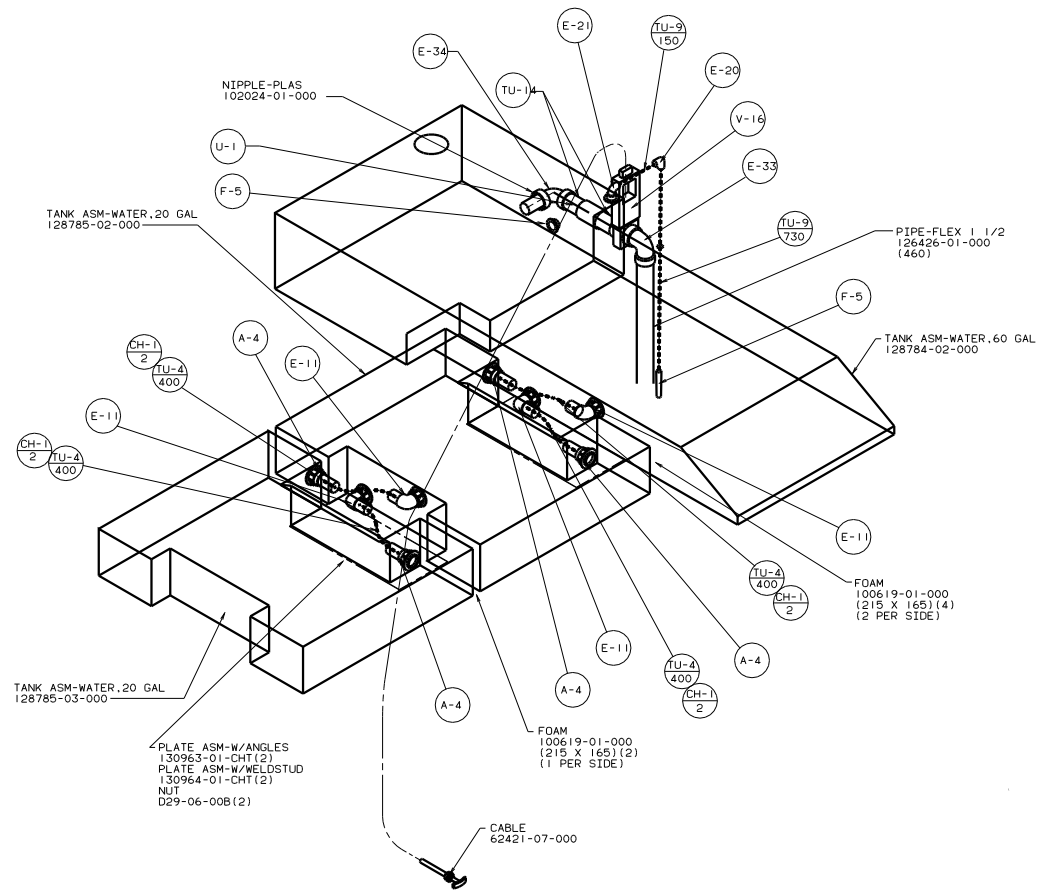
| DWG NO | MODEL |
|-----------|-------|
| 135145-01 | Q40J |
| 135145-02 | Q40JD |
| 135145-03 | Q40WD |



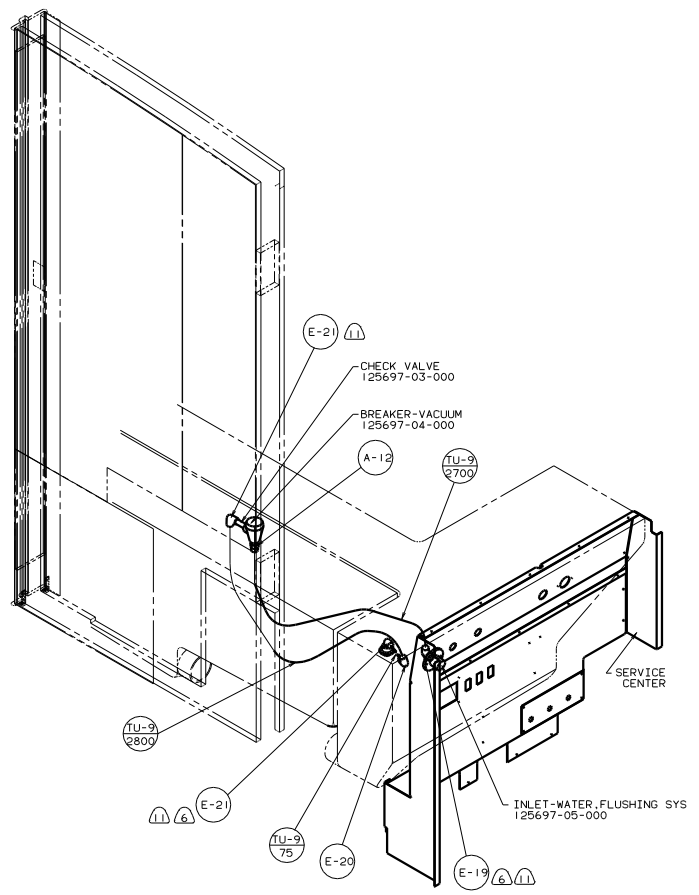
- 15. APPLY DECAL INSIDE OF UPPER SHOWER HEAD HOLDER TO RETAIN SHOWER HEAD INSIDE HOLDER.
 - 14. PRE-DRILL SHOWER SURROUND WITH 5.0 DIA HOLES USING MOUNTING BRACKET AS A TEMPLATE.
 - 13. WITHOUT (43H)
 - 12. WRAP WITH TEFLON TAPE 10405-03-000 TO FITTINGS.
 - 11. WRAP WITH TEFLON TAPE 10405-02-000 TO FITTINGS.
 - 10. WRAP WITH TEFLON TAPE 10405-01-000 MINIMUM THREE WRAPS.
 - 9. FLUSHING SYSTEM REQUIRES 125697-06-000 INSTRUCTION SHEET.
 - 8. LOCATE BEHIND WASHER/DRYER.
 - 7. USE DETAIL "G" IN THIS AREA (BOTH ENDS OF TUBING).
 - 6. INSTALL WITH TANK.
 - 5. USE WITHOUT WINTERIZING KIT.
 - 4. INSTALL ON LINE.
3. ALL TUBING TO BE SECURED AT 1200 INTERVALS MAXIMUM WITH CLAMP 10495-01-000 OR CLIP 91951-01-000 AND SCREW G67-10-12B.
2. TUBING TO BE INSTALLED WITH SUFFICIENT SLOPE TO PROVIDE DRAINAGE TO NEAREST VALVE.
1. PLASTIC FITTINGS TO BE SEALED WITH SEALANT 84456-01-000.

- (43H) SHOWER HEAD-HAND HELD
- (54E) WASHER/DRYER
- (630) WINTERIZING KIT
- (63J) WATER HEATER BY-PASS-VALVE
- (21S) DISHWASHER WITHOUT
- (21T) WASHER/DRYER-WITHOUT
- (21N) DISHWASHER/BUILT-IN

| LEGEND | | WINNEBAGO | |
|---|----------|---|-----------------|
| HOT | ●●●●●●●● | DATE | 01 Q40J/JD/WD |
| COLD | ●●●●●●●● | DATE | |
| FOR WATER CALLOUTS SEE DWG NO. 116230-01-000 | | DATE | |
| | | DATE | |
| (X-X) | | DATE | |
| | | DATE | |
| DRAWN BY: 040JD CHECKED BY: [Signature] ALL DIMENSIONS ARE IN MILLIMETERS | | TITLE: WATER SYSTEM INSTL SHEET 1 OF 8 135145 | REF: 129971 T I |



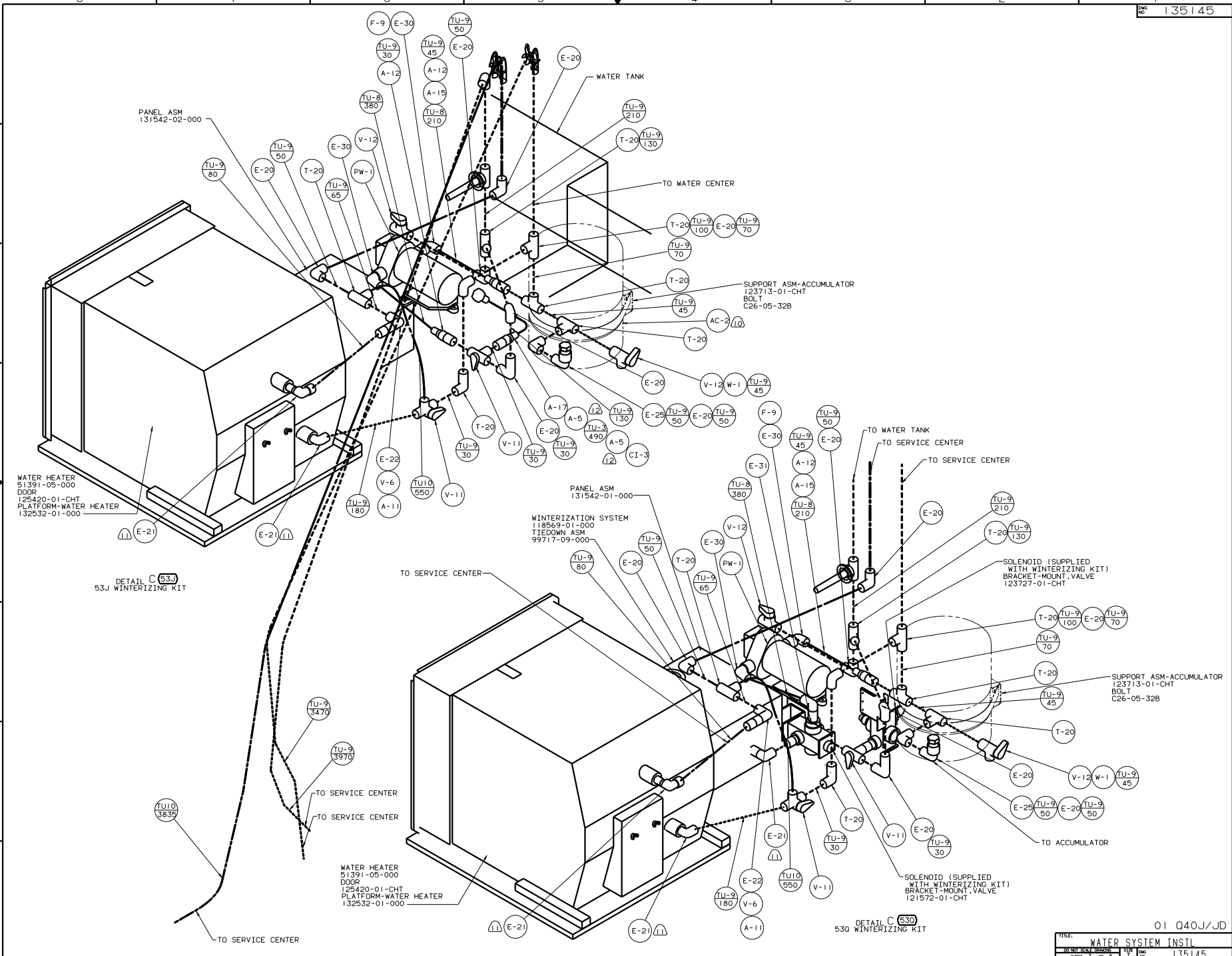
DETAIL A

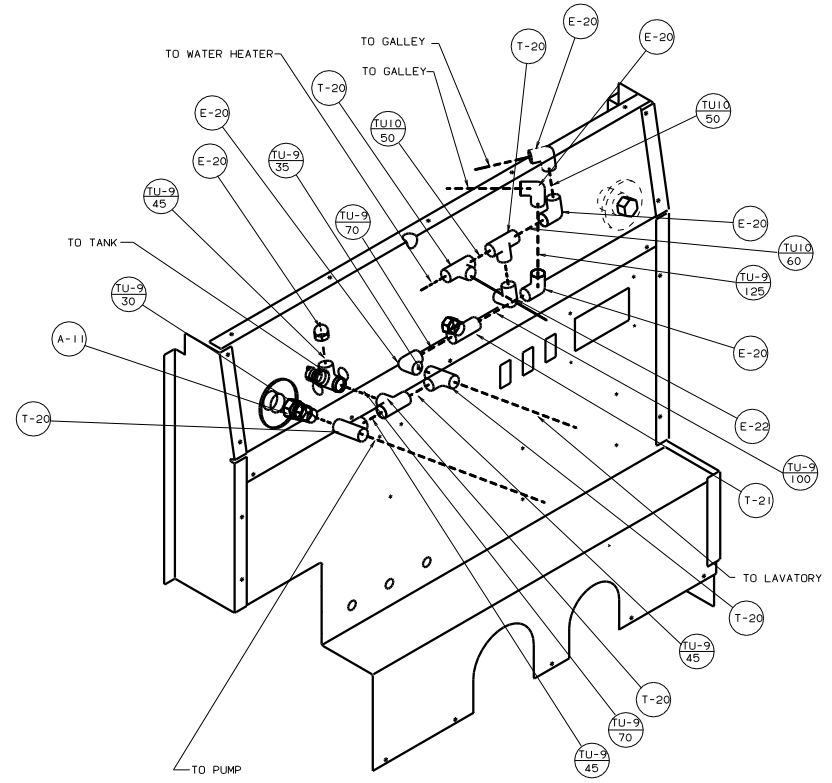
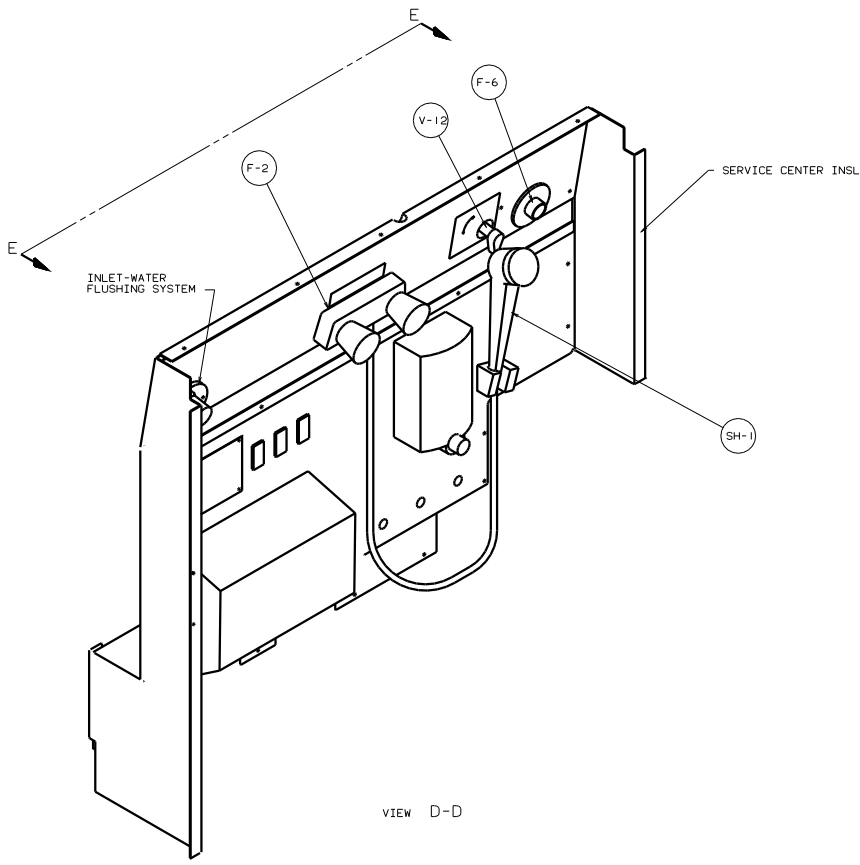


DETAIL B
FLUSHING SYSTEM

01 Q40J/JD

| | | | |
|-------|------------------|--------------------|------|
| TITLE | | WATER SYSTEM INSTL | |
| 30 | NO SCALE DRAWING | 1/8" | 1/4" |
| SHEET | 2 OF 8 | FIG | 1 E |
| | | 135145 | |

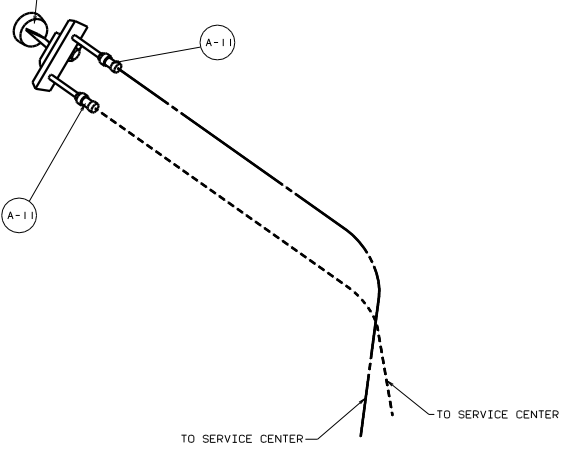




01 Q40J/JD

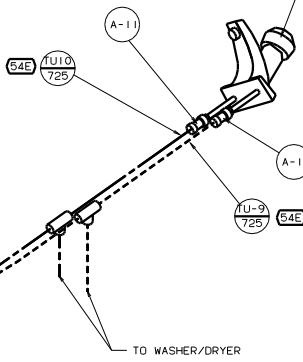
| | | |
|--------------------|-------------------|--------|
| TITLE | WATER SYSTEM INSL | |
| NO. IN SCALE GROUP | NO. | REV. |
| SHEET 4 OF 8 | 16 | 1E |
| | | 135145 |

FAUCET
128997-01-CHT (40J)
FAUCET
134735-01-CHT (40JD,40WD)
POP UP FAUCET
110760-04-000 (JD,WD)



DETAIL H

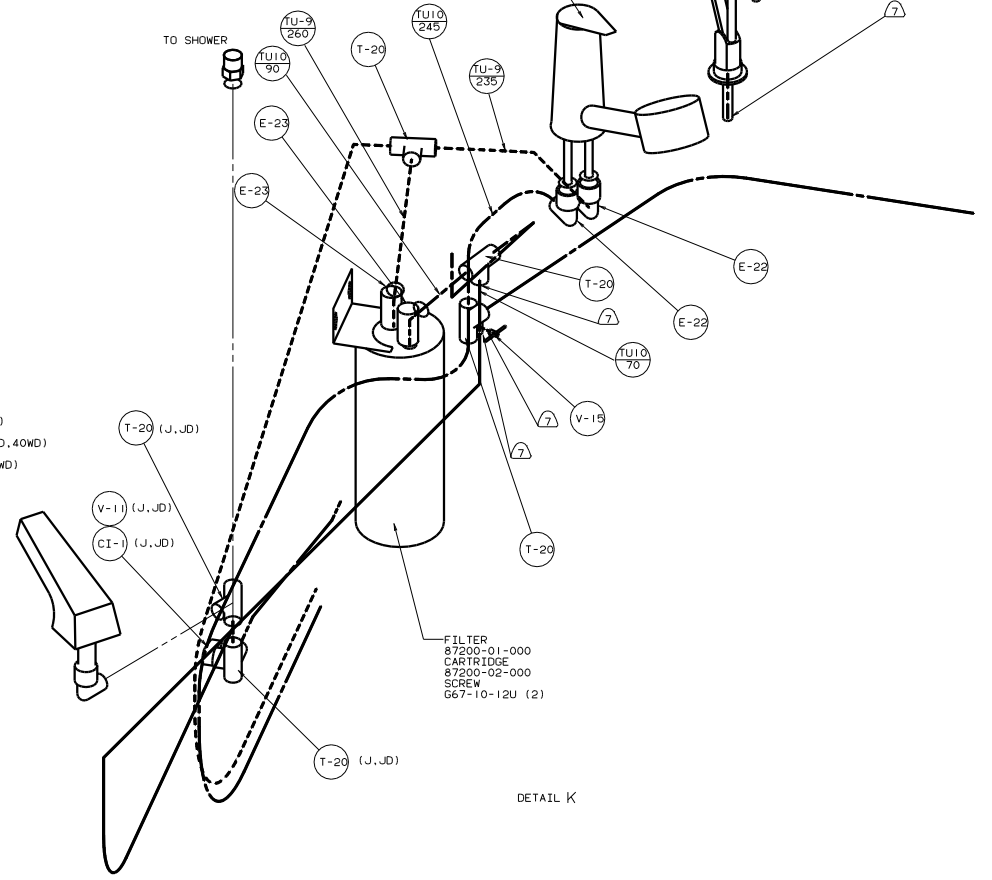
FAUCET
128997-01-CHT (40J)
FAUCET
134735-01-CHT (40JD,40WD)
POP UP FAUCET
110760-04-000 (JD,WD)



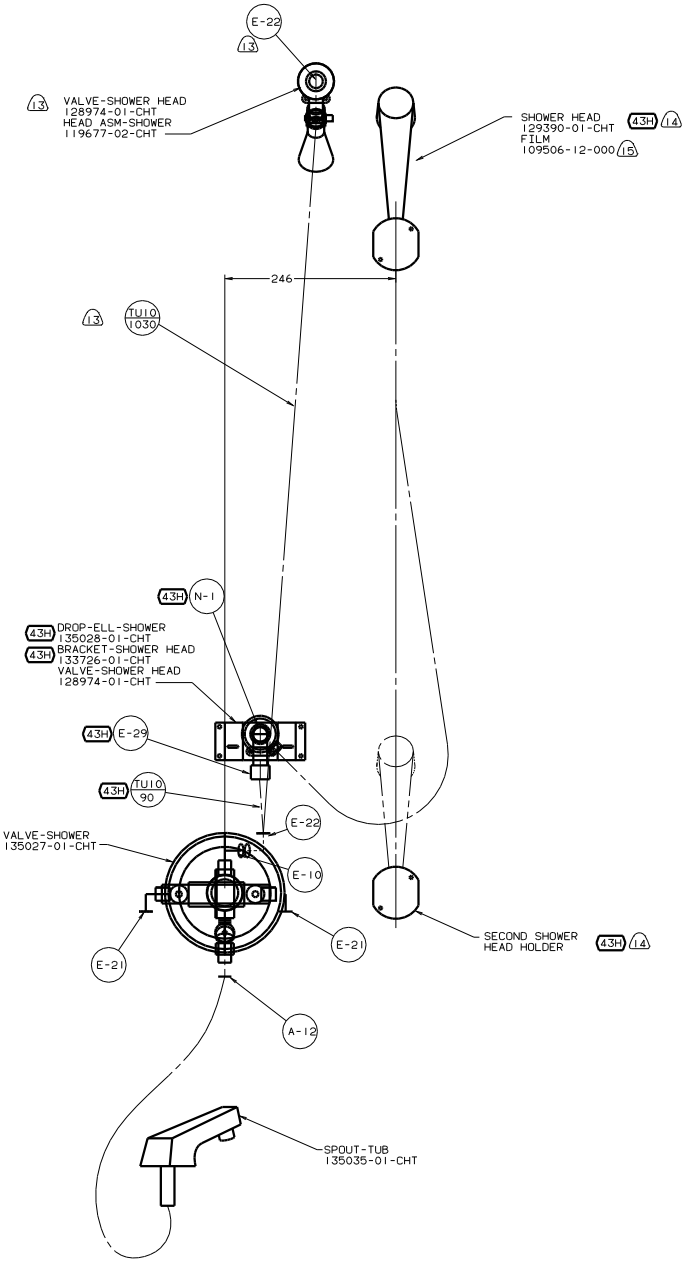
DETAIL J

FAUCET
123744-03-CHT (40J)
123744-01-CHT (40JD,40WD)

FAUCET
103635-01-000 (40J)
103635-02-000 (40JD,40WD)



DETAIL K



VIEW L-L

| | | | |
|---------------------------|-------|-----|--------|
| TITLE: WATER SYSTEM INSTL | | REV | DATE |
| NO. REV. | SCALE | BY | CHK |
| SHEET 8 | OF 8 | 1.E | NO |
| | | | 135145 |