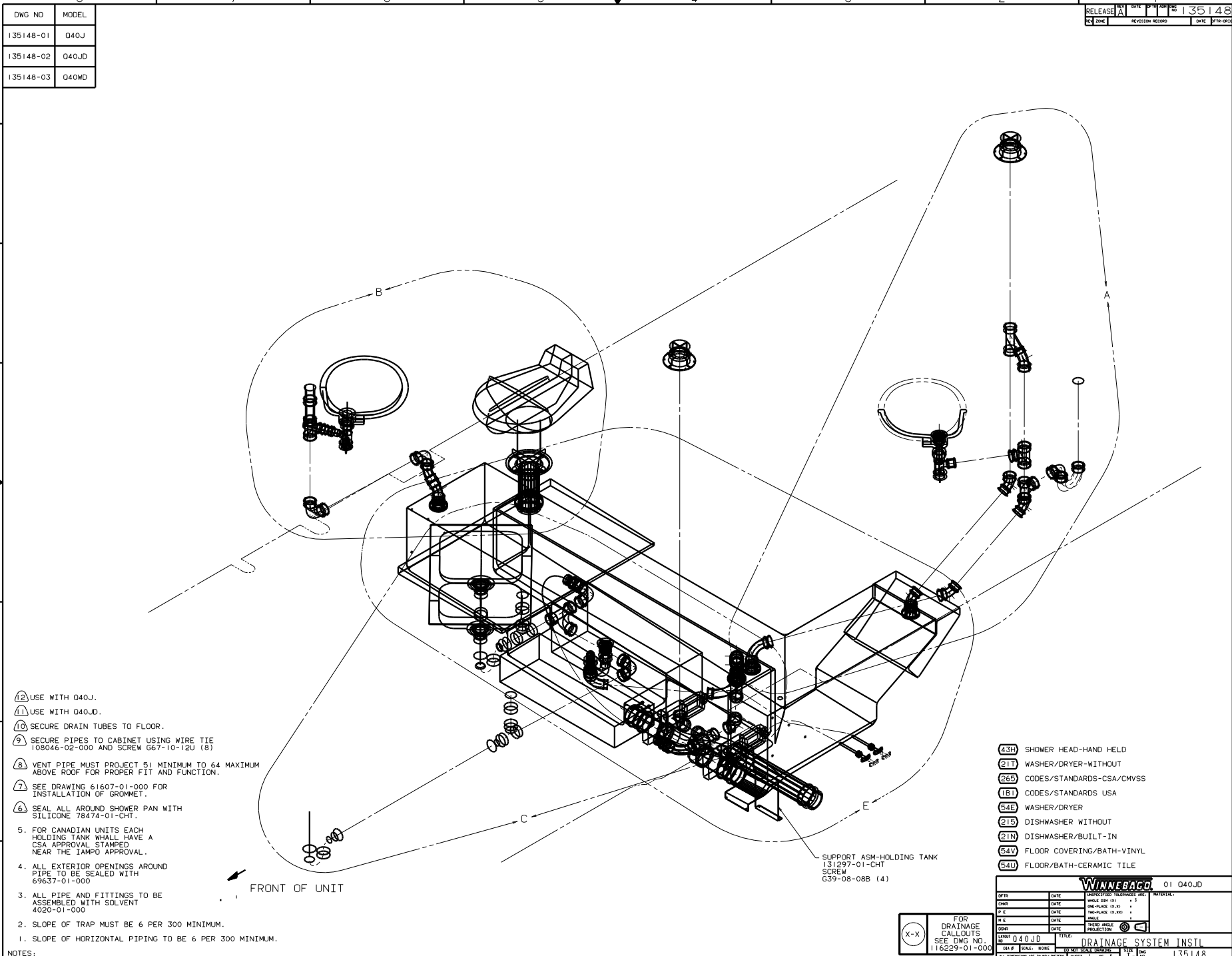


DWG NO	MODEL
135148-01	Q40J
135148-02	Q40JD
135148-03	Q40WD

RELEASE BY DATE OF THIS DRAWING NO. 135148
 REVISION RECORD DATE BY NO.



- ⑫ USE WITH Q40J.
- ⑪ USE WITH Q40JD.
- ⑩ SECURE DRAIN TUBES TO FLOOR.
- ⑨ SECURE PIPES TO CABINET USING WIRE TIE 108046-02-000 AND SCREW G67-10-12U (8)
- ⑧ VENT PIPE MUST PROJECT 51 MINIMUM TO 64 MAXIMUM ABOVE ROOF FOR PROPER FIT AND FUNCTION.
- ⑦ SEE DRAWING 61607-01-000 FOR INSTALLATION OF GROMMET.
- ⑥ SEAL ALL AROUND SHOWER PAN WITH SILICONE 78474-01-CHT.
- 5. FOR CANADIAN UNITS EACH HOLDING TANK SHALL HAVE A CSA APPROVAL STAMPED NEAR THE IAMPO APPROVAL.
- 4. ALL EXTERIOR OPENINGS AROUND PIPE TO BE SEALED WITH 69637-01-000
- 3. ALL PIPE AND FITTINGS TO BE ASSEMBLED WITH SOLVENT 4620-01-000
- 2. SLOPE OF TRAP MUST BE 6 PER 300 MINIMUM.
- 1. SLOPE OF HORIZONTAL PIPING TO BE 6 PER 300 MINIMUM.

SUPPORT ASM-HOLDING TANK
 131297-01-CHT
 SCREW
 G39-08-08B (4)

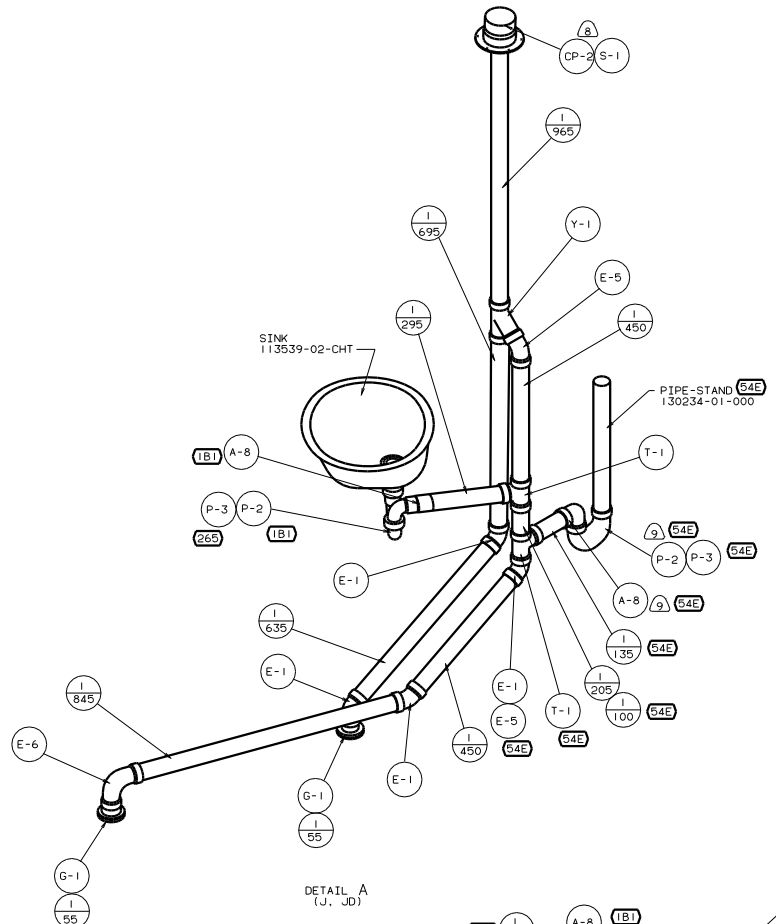
- ④3H SHOWER HEAD-HAND HELD
- ②1T WASHER/DRYER-WITHOUT
- ②6B CODES/STANDARDS-CSA/CMVSS
- ①B1 CODES/STANDARDS USA
- ⑤4E WASHER/DRYER
- ②1B DISHWASHER WITHOUT
- ②1W DISHWASHER/BUILT-IN
- ⑤4V FLOOR COVERING/BATH-VINYL
- ⑤4U FLOOR/BATH-CERAMIC TILE

FRONT OF UNIT

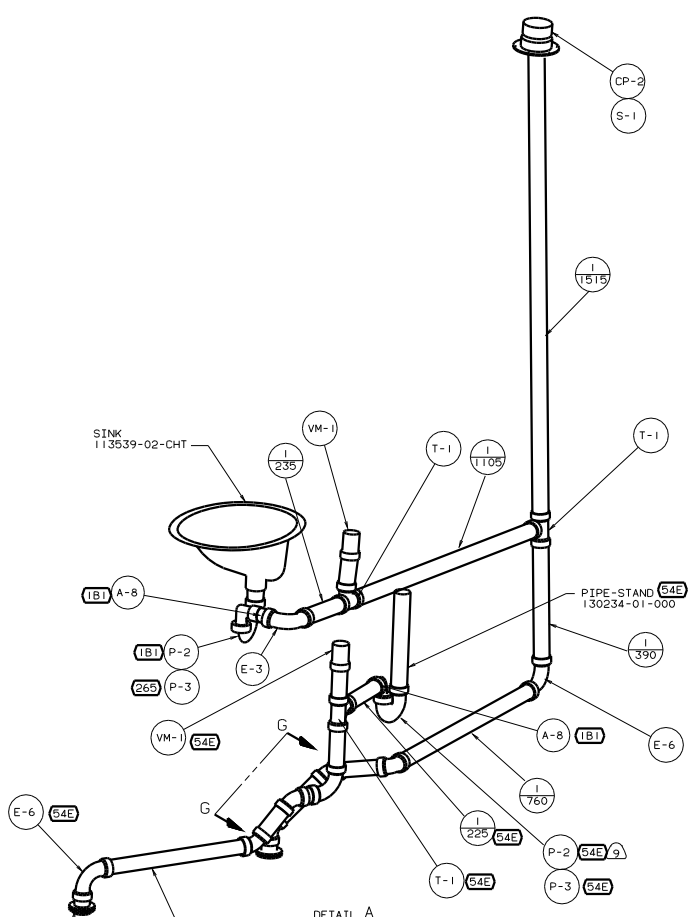


FOR DRAINAGE CALLOUTS SEE DWG NO. 116229-01-000

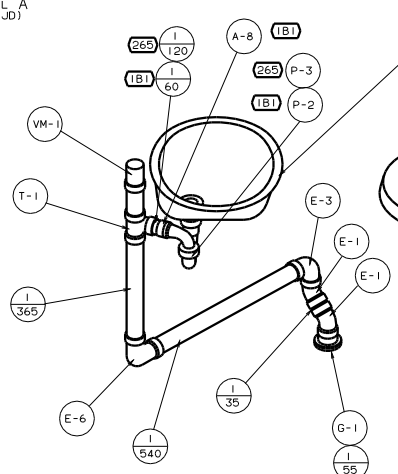
WINNEBAGO		01 Q40JD	
QTY	DATE	UNSPECIFIED TOLERANCES ARE:	MATERIAL
CHP	DATE	HALF DIM (X)	F
PIE	DATE	ONE-PLACE (X.X)	.
PLC	DATE	TWO-PLACE (X.XX)	.
PRO	DATE	THIRD PLACE (X.XXX)	.
CON	DATE	ISO WELD SYMBOLS	W
PART NO. Q40JD		TITLE: DRAINAGE SYSTEM INSTL	
DWG NO.	SCALE	NO. OF SHEETS	TOTAL
135148		1	4
ALL DIMENSIONS ARE IN MILLIMETERS		SHEET	1



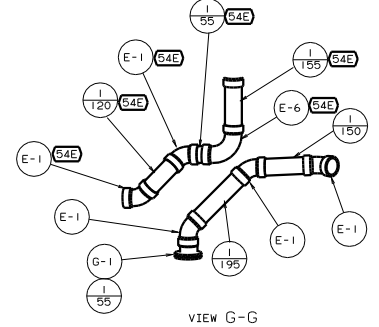
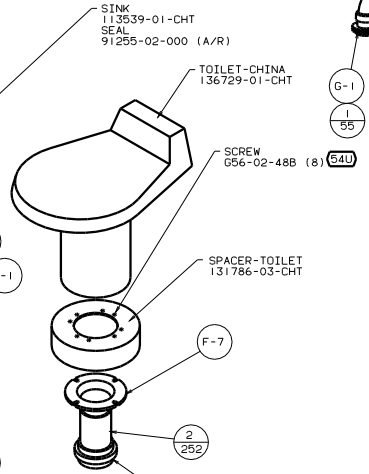
DETAIL A (J. JD)



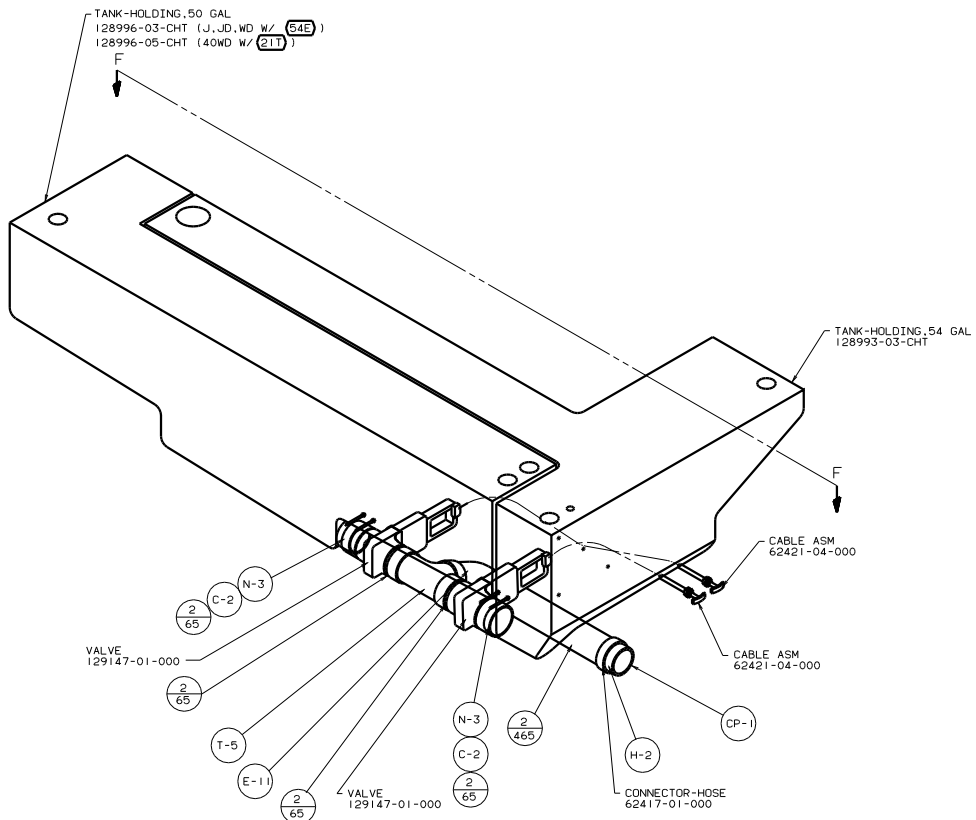
DETAIL A (WD)



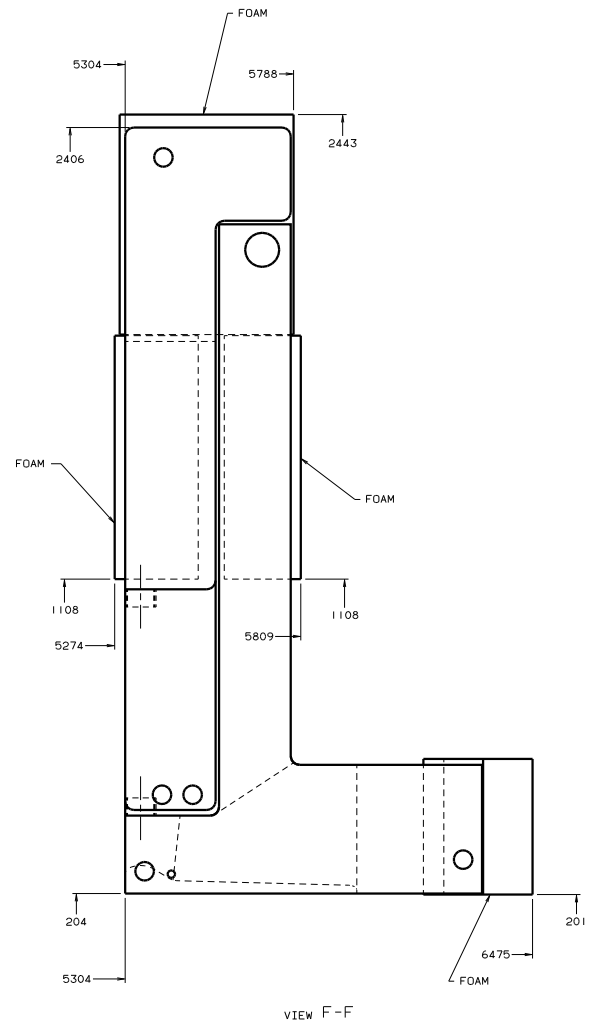
DETAIL B



VIEW G-G

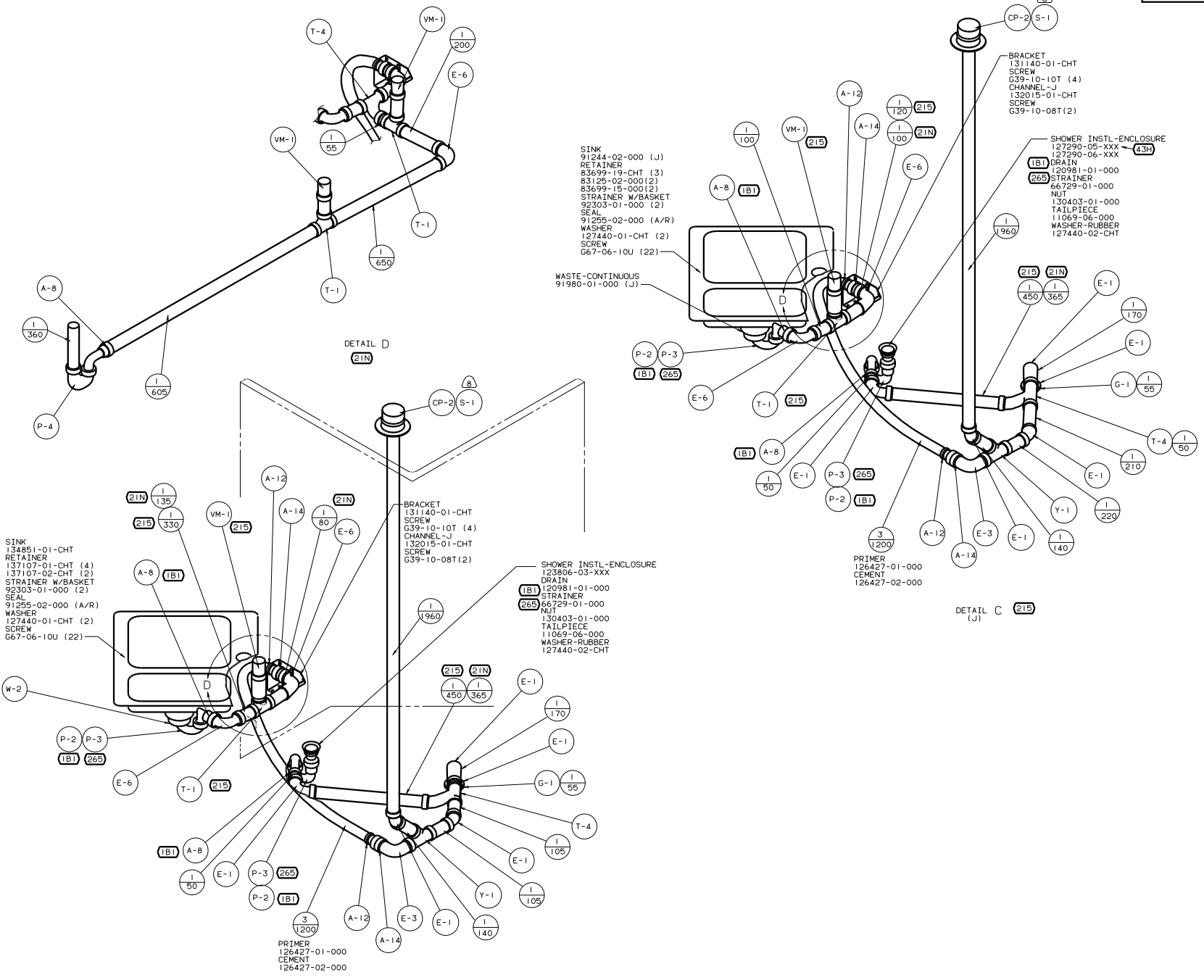


DETAIL E



01 Q40J/JD

TITLE		135148	
DRAWING NO.		135148	
SHEET		3 of 4	
DATE		1.6	



- SINK 91244-02-000 (J)
- RETAINER 83699-19-CHT (3)
- 83128-02-000(2)
- 83699-15-000(2)
- STRAINER W/BASKET 92303-01-000 (2)
- SEAL 91255-02-000 (A/R)
- WASHER 127440-01-CHT (2)
- SCREW 667-06-10U (22)

- WASTE-CONTINUOUS 91980-01-000 (J)

- BRACKET 131140-01-CHT
- SCREW G39-10-10T (4)
- CHANNEL-J 132015-01-CHT
- SCREW G39-10-08T (2)

- SHOWER INSTL-ENCLOSURE 127290-05-XXX
- DRAIN 127290-06-XXX
- STRAINER 120981-01-000
- NUT 66729-01-000
- 130403-01-000
- TAILPIECE 11069-06-000
- WASHER-RUBBER 127440-02-CHT

- SINK 134851-01-CHT
- RETAINER 137107-01-CHT (4)
- 137107-02-CHT (2)
- STRAINER W/BASKET 92303-01-000 (2)
- SEAL 91255-02-000 (A/R)
- WASHER 127440-01-CHT (2)
- SCREW 667-06-10U (22)

- SHOWER INSTL-ENCLOSURE 123806-03-XXX
- DRAIN 120981-01-000
- STRAINER 66729-01-000
- NUT 130403-01-000
- TAILPIECE 11069-06-000
- WASHER-RUBBER 127440-02-CHT

- PRIMER 126427-01-000
- CEMENT 126427-02-000

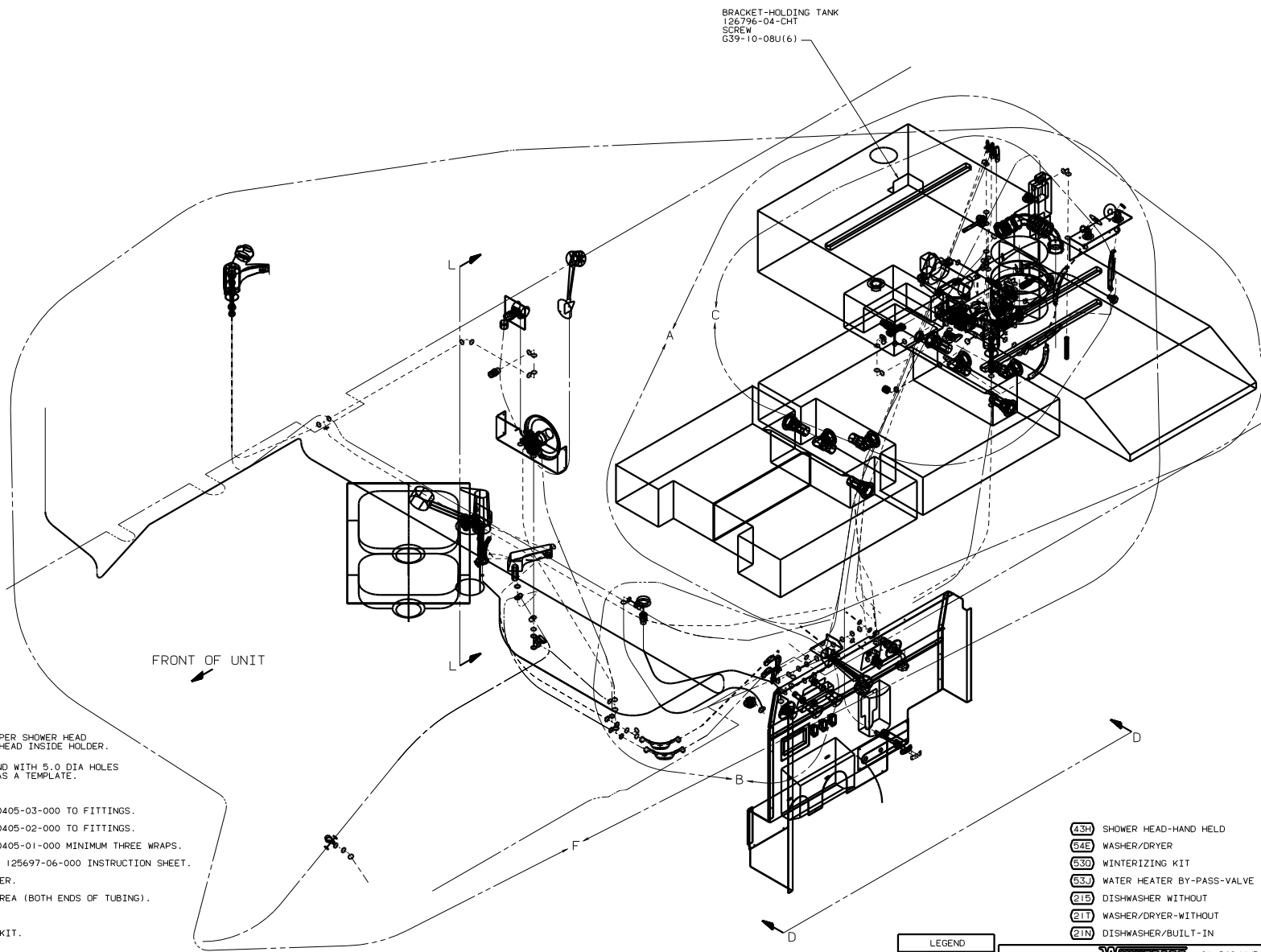
DETAIL D (21N)

DETAIL C (21B)

DETAIL C (21B) (WD. JD.)

DETAIL C (21B) (J)

DWG NO	MODEL
135145-01	Q40J
135145-02	Q40JD
135145-03	Q40WD



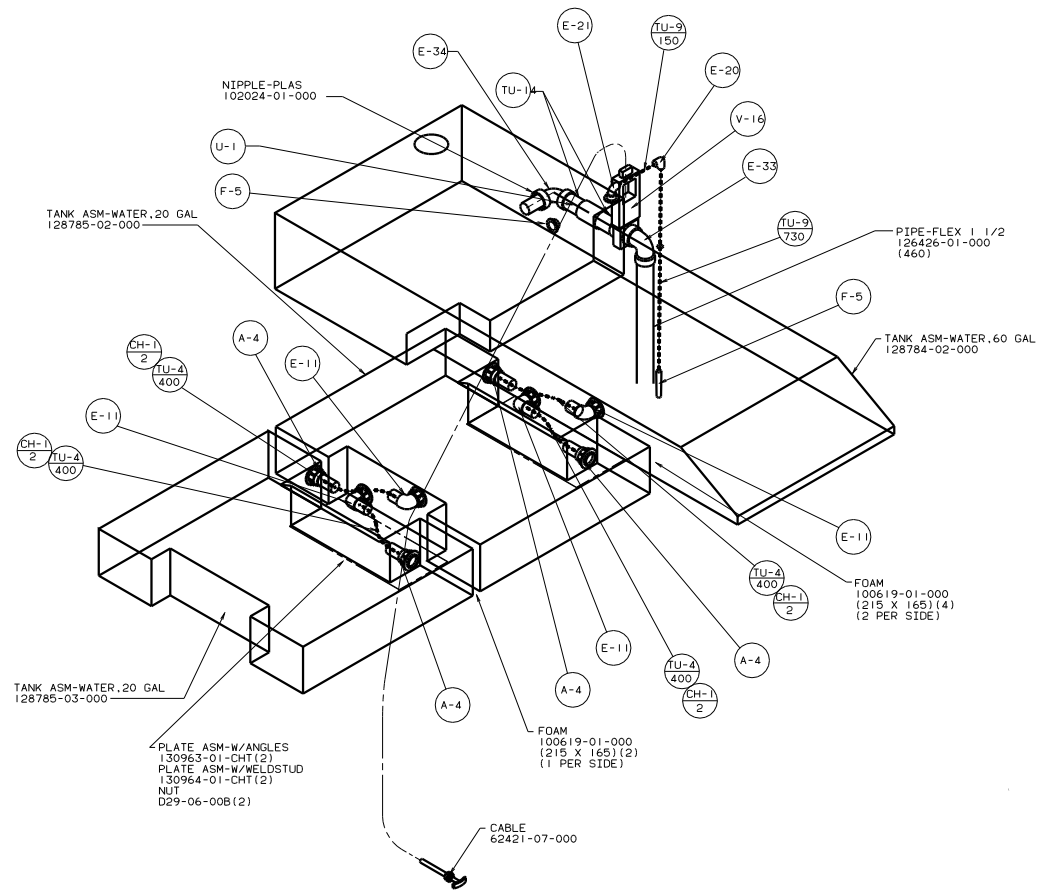
- 15. APPLY DECAL INSIDE OF UPPER SHOWER HEAD HOLDER TO RETAIN SHOWER HEAD INSIDE HOLDER.
 - 14. PRE-DRILL SHOWER SURROUND WITH 5.0 DIA HOLES USING MOUNTING BRACKET AS A TEMPLATE.
 - 13. WITHOUT (43H)
 - 12. WRAP WITH TEFLON TAPE 10405-03-000 TO FITTINGS.
 - 11. WRAP WITH TEFLON TAPE 10405-02-000 TO FITTINGS.
 - 10. WRAP WITH TEFLON TAPE 10405-01-000 MINIMUM THREE WRAPS.
 - 9. FLUSHING SYSTEM REQUIRES 125697-06-000 INSTRUCTION SHEET.
 - 8. LOCATE BEHIND WASHER/DRYER.
 - 7. USE DETAIL "G" IN THIS AREA (BOTH ENDS OF TUBING).
 - 6. INSTALL WITH TANK.
 - 5. USE WITHOUT WINTERIZING KIT.
 - 4. INSTALL ON LINE.
3. ALL TUBING TO BE SECURED AT 1200 INTERVALS MAXIMUM WITH CLAMP 10495-01-000 OR CLIP 91951-01-000 AND SCREW G67-10-12B.
2. TUBING TO BE INSTALLED WITH SUFFICIENT SLOPE TO PROVIDE DRAINAGE TO NEAREST VALVE.
1. PLASTIC FITTINGS TO BE SEALED WITH SEALANT 84456-01-000.

- (43H) SHOWER HEAD-HAND HELD
- (54E) WASHER/DRYER
- (630) WINTERIZING KIT
- (63J) WATER HEATER BY-PASS-VALVE
- (21S) DISHWASHER WITHOUT
- (21T) WASHER/DRYER-WITHOUT
- (21N) DISHWASHER/BUILT-IN

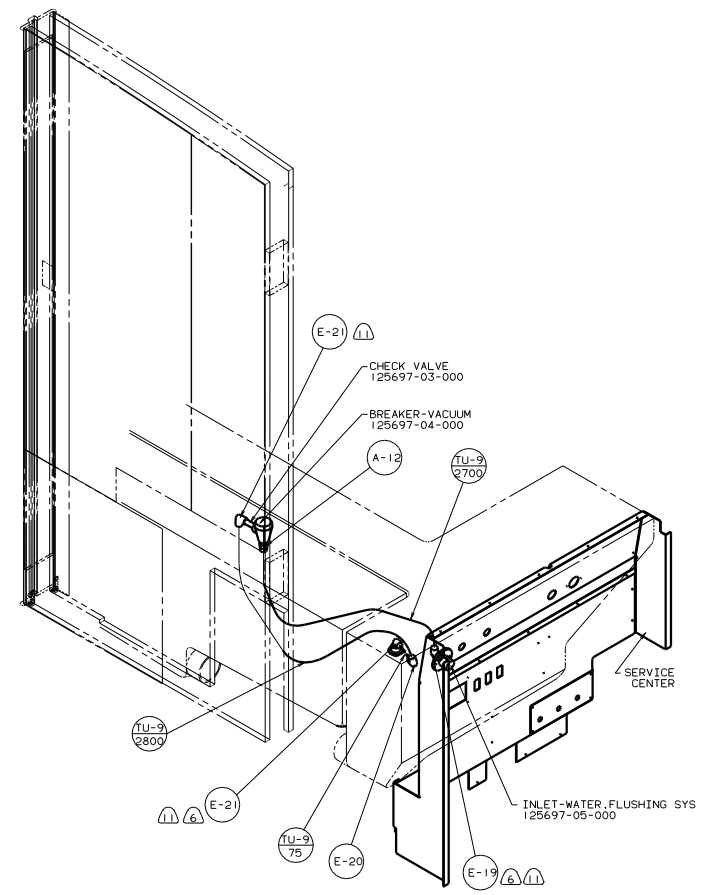
LEGEND		WINNEBAGO	
HOT	●●●●●●●●	DATE	UNSPECIFIED TOLERANCES ARE:
COLD	●●●●●●●●	DATE	WHOLE DIM (IN) ± .5
		DATE	ONE-PLACE (IN, IN) .1
		DATE	TWO-PLACE (IN, IN) .01
		DATE	MILS
		DATE	INDIC. W/OLE PROJECTION
		DATE	INDIC. W/OLE PROJECTION

FOR WATER CALLOUTS SEE DWG NO. 116230-01-000	DATE	UNSPECIFIED TOLERANCES ARE:
	DATE	WHOLE DIM (IN) ± .5
	DATE	ONE-PLACE (IN, IN) .1
	DATE	TWO-PLACE (IN, IN) .01
	DATE	MILS
	DATE	INDIC. W/OLE PROJECTION
	DATE	INDIC. W/OLE PROJECTION

DATE	UNSPECIFIED TOLERANCES ARE:
DATE	WHOLE DIM (IN) ± .5
DATE	ONE-PLACE (IN, IN) .1
DATE	TWO-PLACE (IN, IN) .01
DATE	MILS
DATE	INDIC. W/OLE PROJECTION
DATE	INDIC. W/OLE PROJECTION

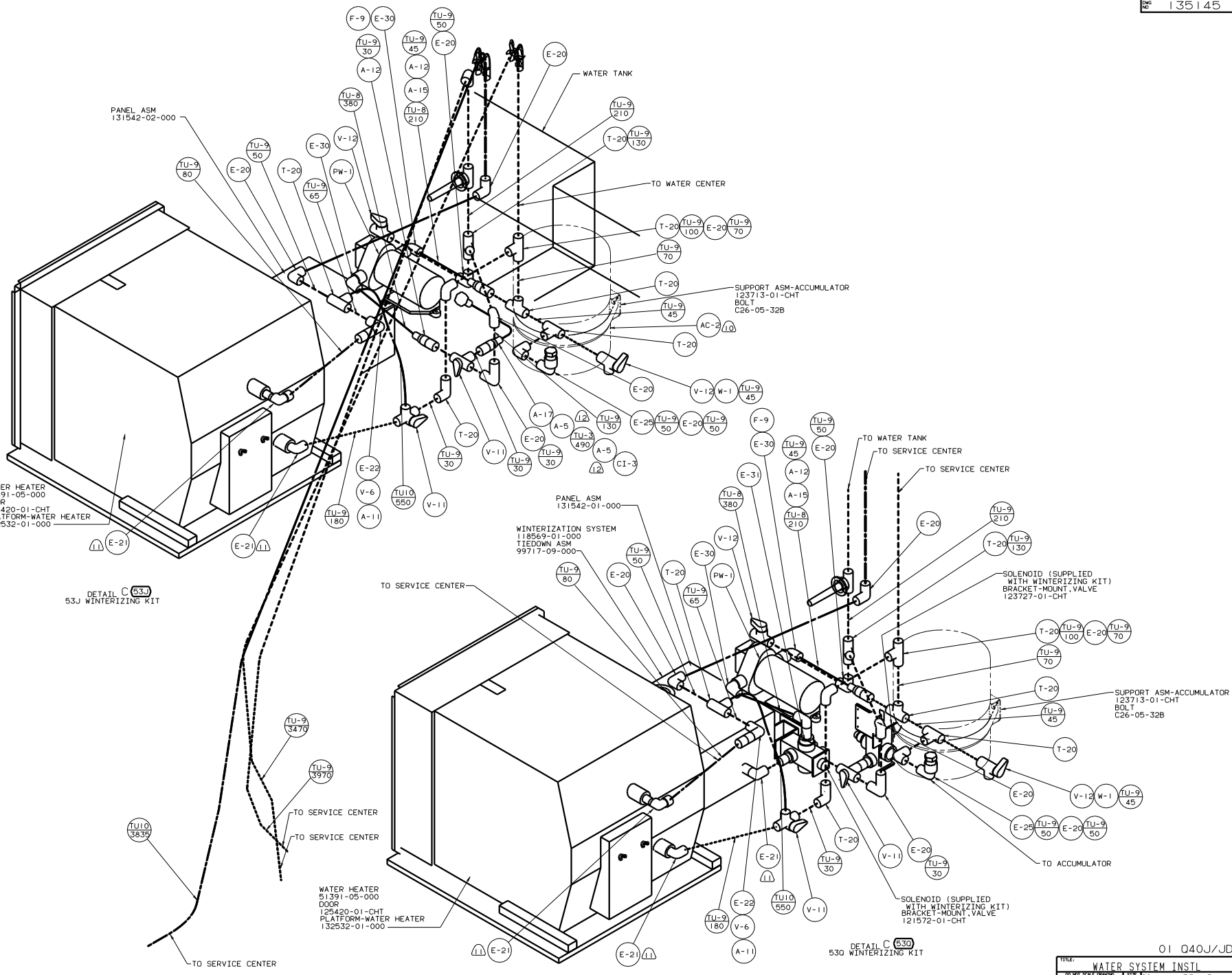


DETAIL A

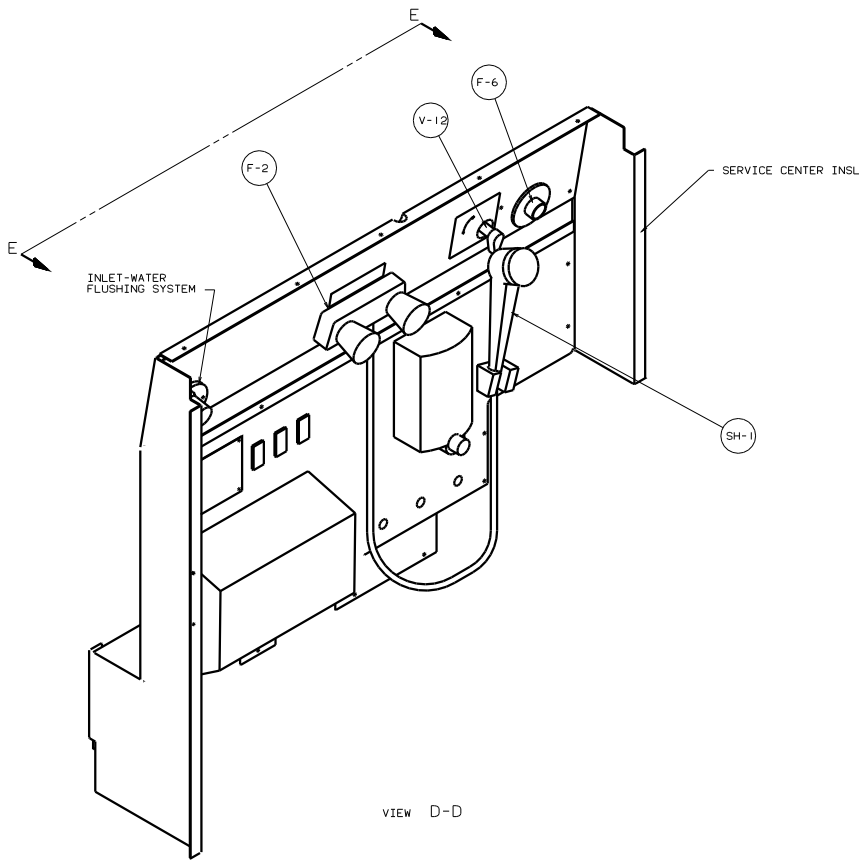


DETAIL B
FLUSHING SYSTEM

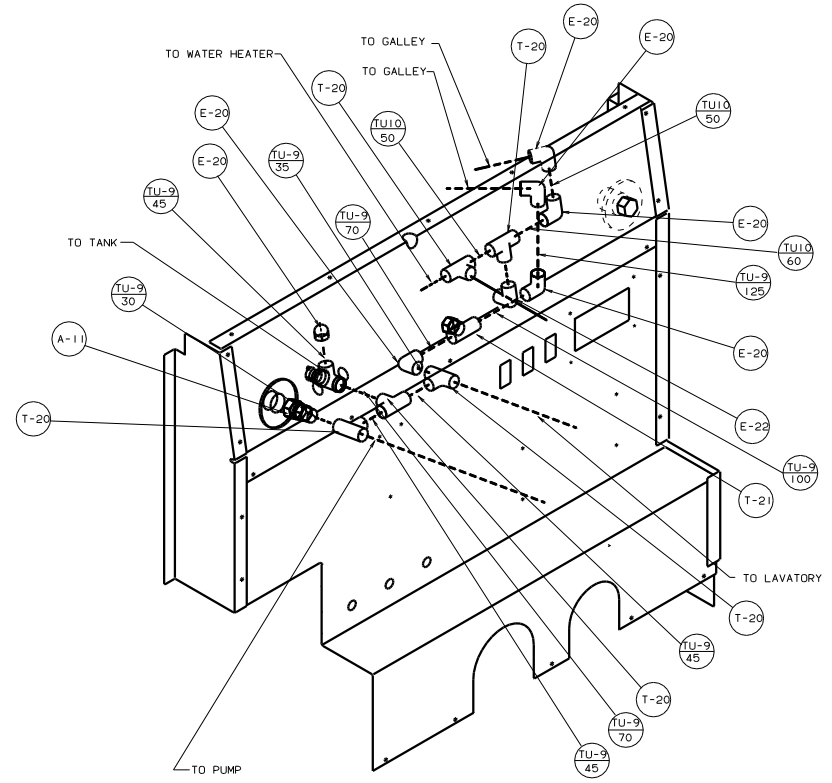
TITLE: WATER SYSTEM INSTL	
30 IN SCALE DRAWING	DATE
SHEET 2 OF 8	135145



TITLE		01 Q40J/JD	
WATER SYSTEM INSTL			
NO. OF SHEETS	REV. NO.		
3 OF 8	1 E		
DRAWING NO.		135145	



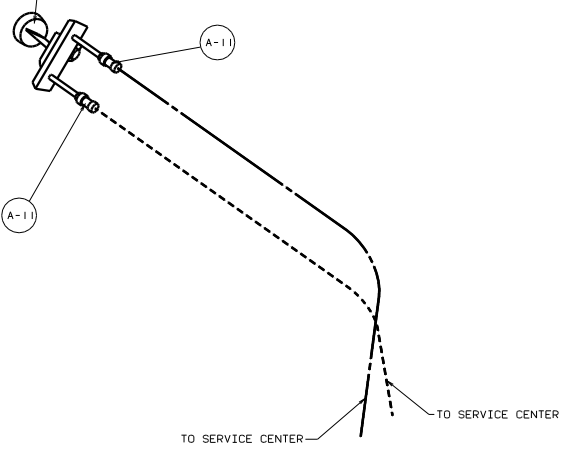
VIEW D-D



VIEW E-E

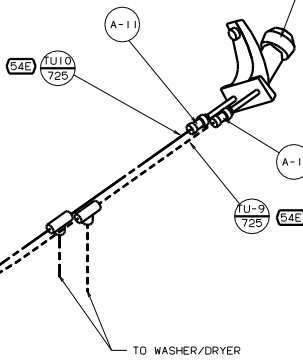
01 Q40J/JD	
TITLE: WATER SYSTEM INSL	
NO. OF SHEETS	TOT. SHEETS
4 OF 8	16
135145	

FAUCET
128997-01-CHT (40J)
FAUCET
134735-01-CHT (40JD,40WD)
POP UP FAUCET
110760-04-000 (JD,WD)



DETAIL H

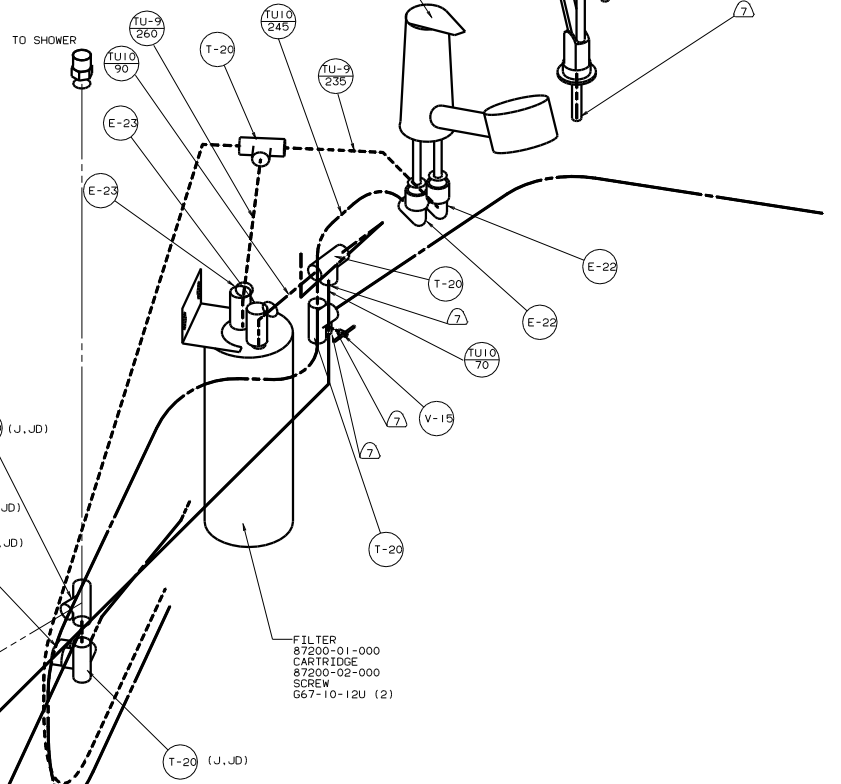
FAUCET
128997-01-CHT (40J)
FAUCET
134735-01-CHT (40JD,40WD)
POP UP FAUCET
110760-04-000 (JD,WD)



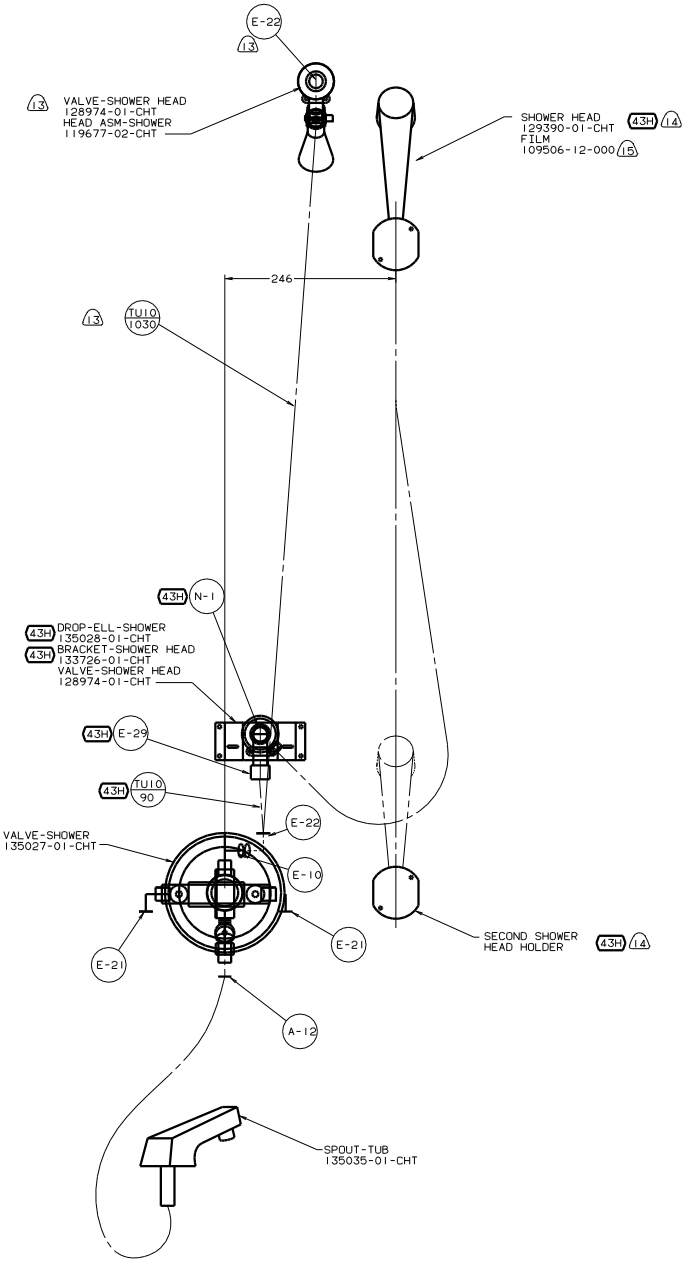
DETAIL J

FAUCET
123744-03-CHT (40J)
123744-01-CHT (40JD,40WD)

FAUCET
103635-01-000 (40J)
103635-02-000 (40JD,40WD)



DETAIL K



VIEW L-L

01 Q40J/JD/WD

TITLE		WATER SYSTEM INSTL	
NO. OF SHEETS	TOTAL SHEETS	DATE	REV.
8	8	11/16	1
SHEET 8 OF 8		135145	