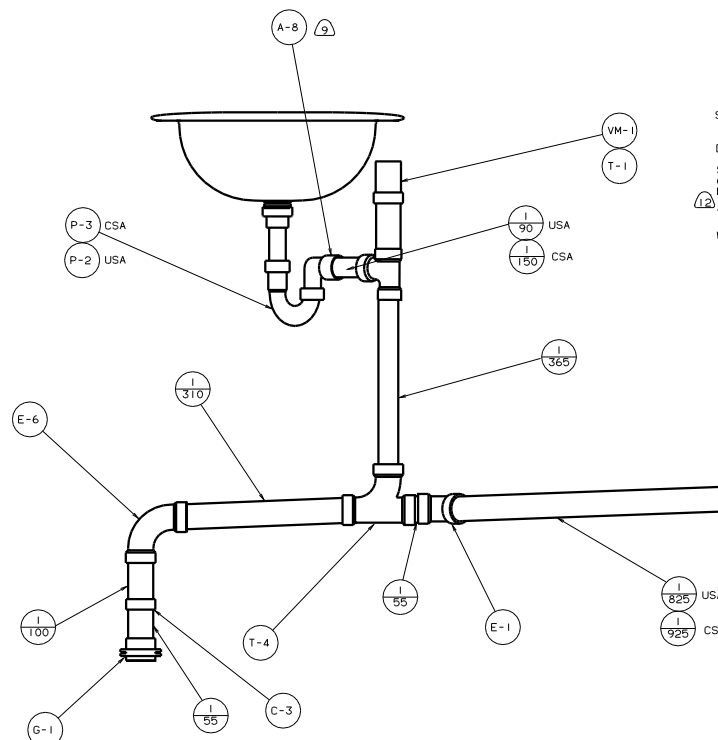
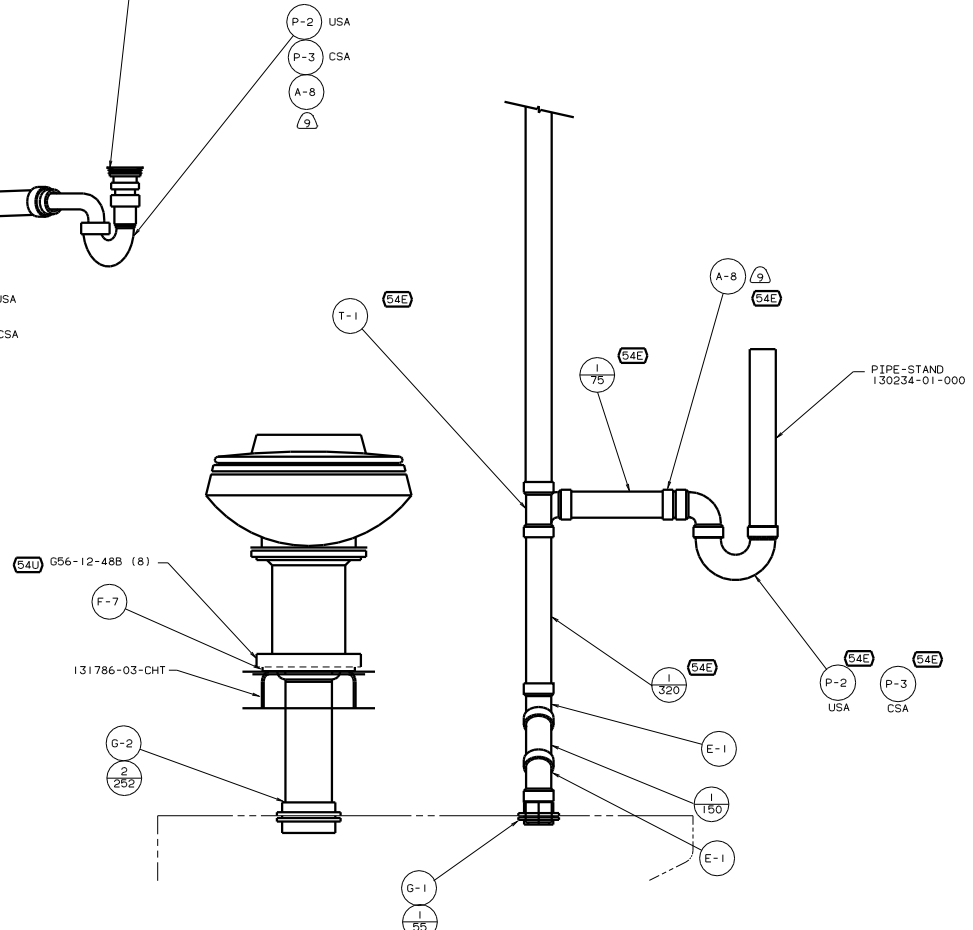


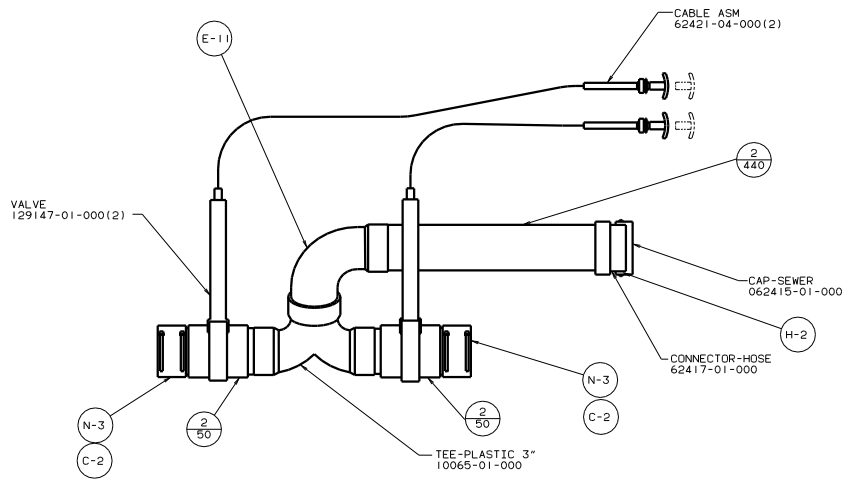
- SHOWER INSTL-ENCLOSURE
 127290-05-XXX
 127290-06-XXX
 DRAIN
 120981-01-000(USA)
 STRAINER
 66729-01-000(CSA)
 NUT-STRAINER
 130403-01-000
 TAILPIECE
 11069-06-000
 WASHER-RUBBER
 127440-02-CHT



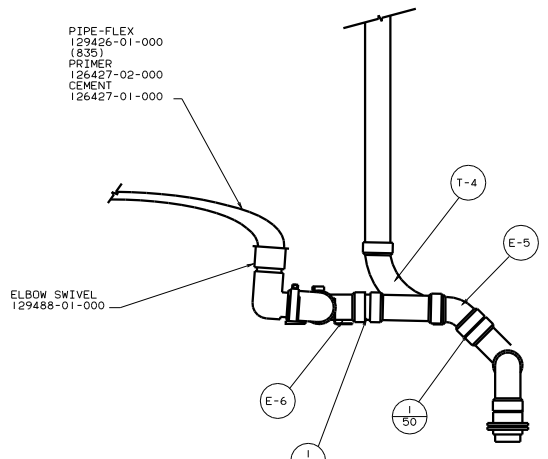
VIEW A-A



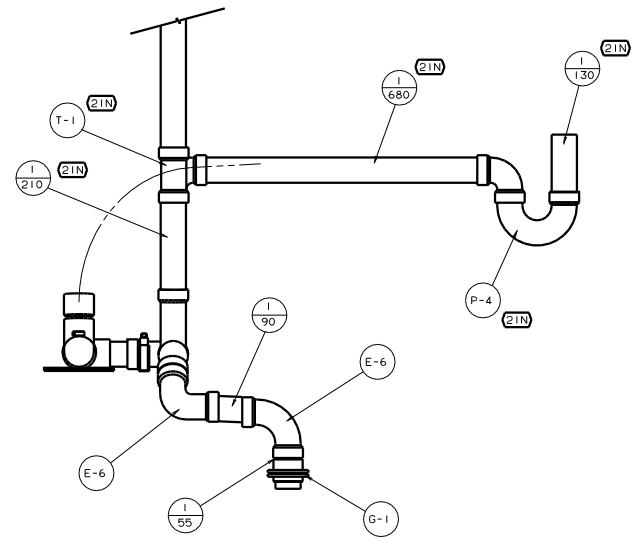
VIEW B-B



VIEW C-C

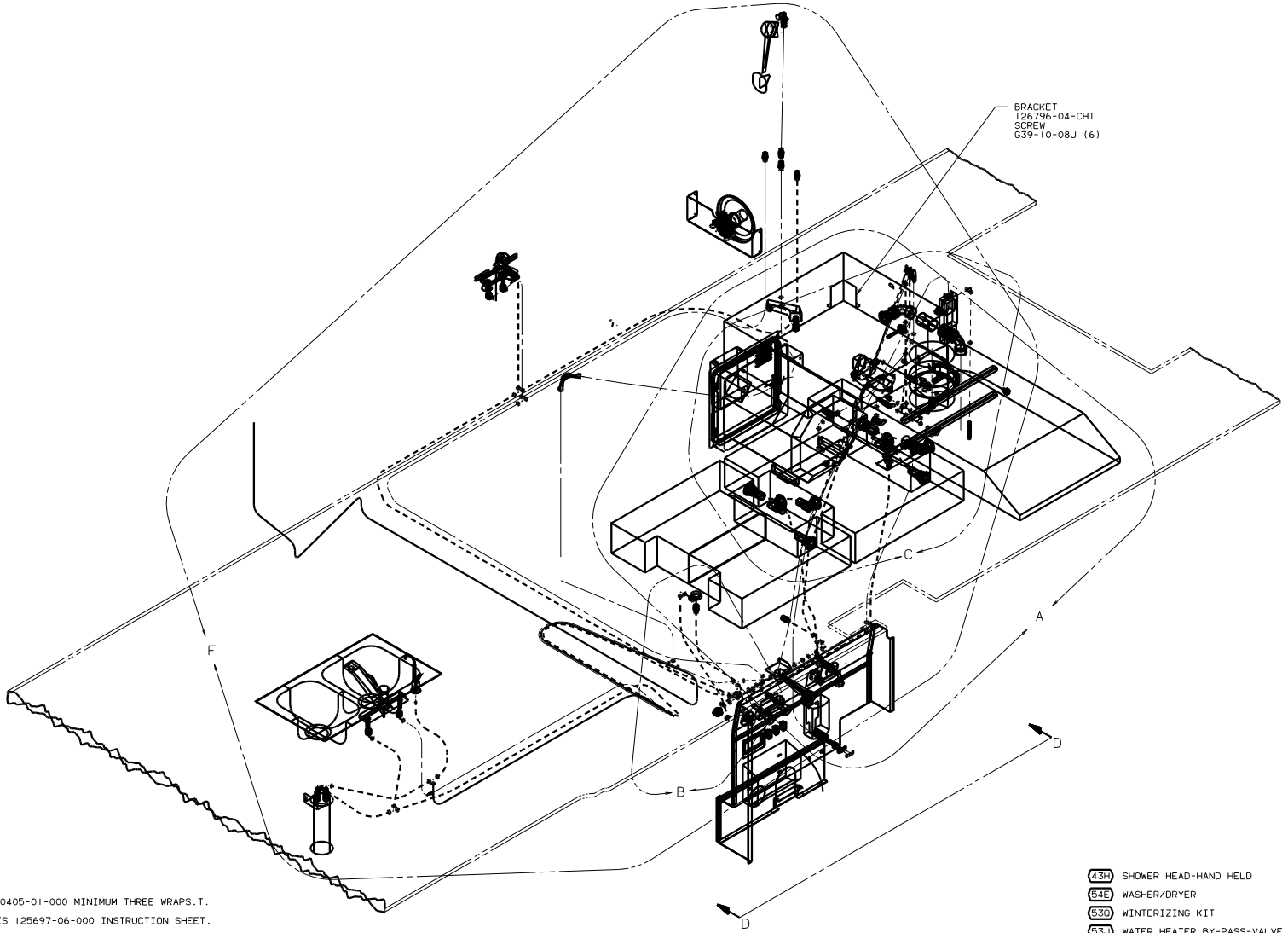


VIEW D-D



VIEW E-E

TITLE: 01 Q38K	
DRAINAGE SYSTEM INSTL	135149
30 THE BUCK BUILDING	1 E
SHEET 3 OF 3	



BRACKET
 126796-04-CHT
 SCREW
 639-10-08U (6)

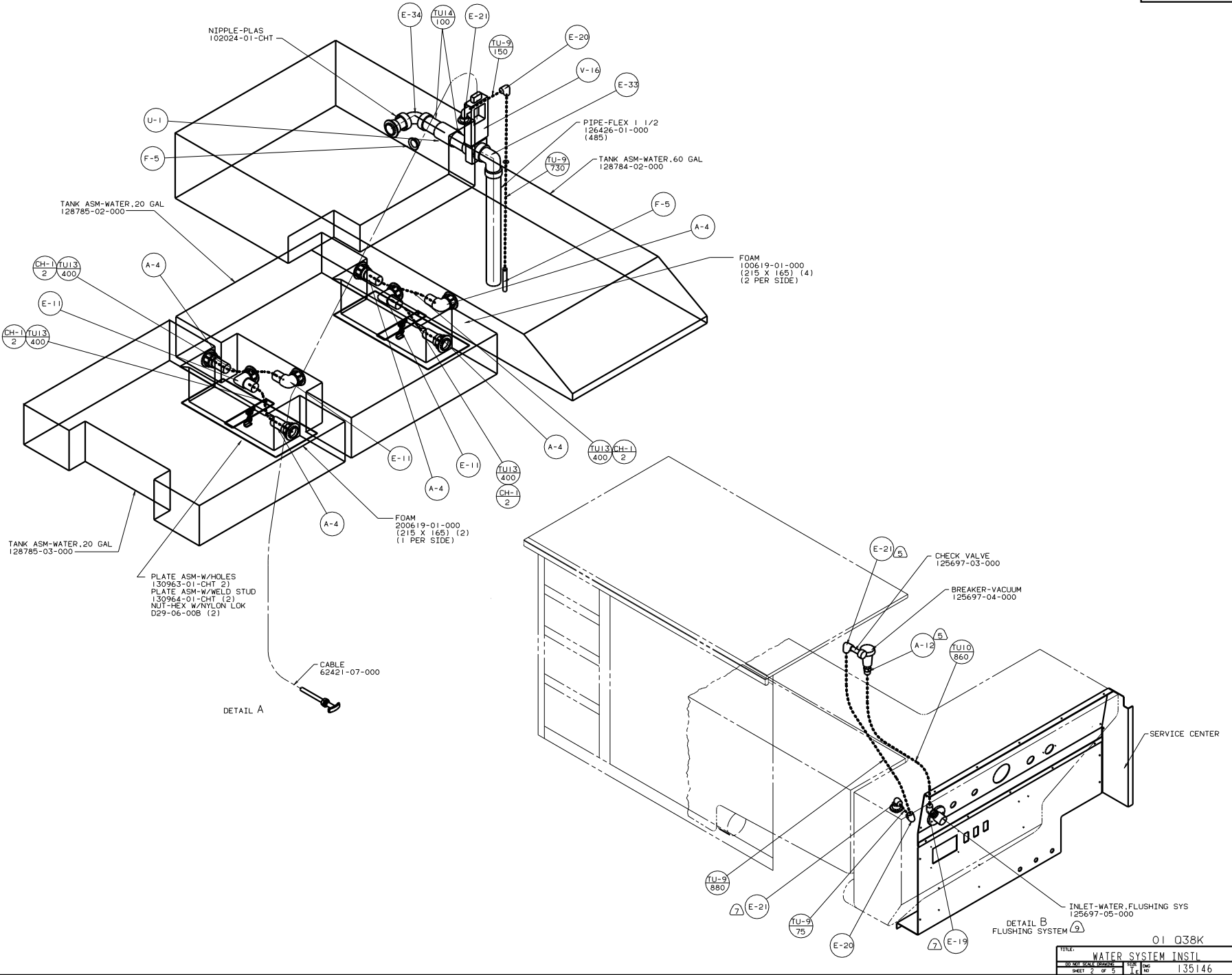
- ① W/O (43H)
- ② WRAP WITH TEFLON TAPE 10405-01-000 MINIMUM THREE WRAPS.T.
- ③ FLUSHING SYSTEM REQUIRES 125697-06-000 INSTRUCTION SHEET.
- ④ INSTALL ON LINE.
- ⑤ INSTALL WITH TANK.
- ⑥ USE DETAIL "G" IN THIS AREA (BOTH ENDS OF TUBING).
- ⑦ ADD TEFLON TAPE 10405-02-000 TO FITTING.
- ⑧ ADD TEFLON TAPE 10405-03-000 TO FITTING.
- 3. ALL TUBING TO BE SECURED AT 1200 INTERVALS MAXIMUM WITH CLAMP 10495-01-000 OR CLIP 91951-01-000 AND SCREW G67-10-12B.
- 2. TUBING TO BE INSTALLED WITH SUFFICIENT SLOPE TO PROVIDE DRAINAGE TO NEAREST VALVE.
- 1. PLASTIC FITTINGS TO BE SEALED WITH SEALANT 84456-01-000.

- (43H) SHOWER HEAD-HAND HELD
- (54E) WASHER/DRYER
- (530) WINTERIZING KIT
- (53J) WATER HEATER BY-PASS-VALVE
- (21S) DISHWASHER WITHOUT
- (21T) WASHER/DRYER-WITHOUT
- (21N) DISHWASHER/BUILT-IN

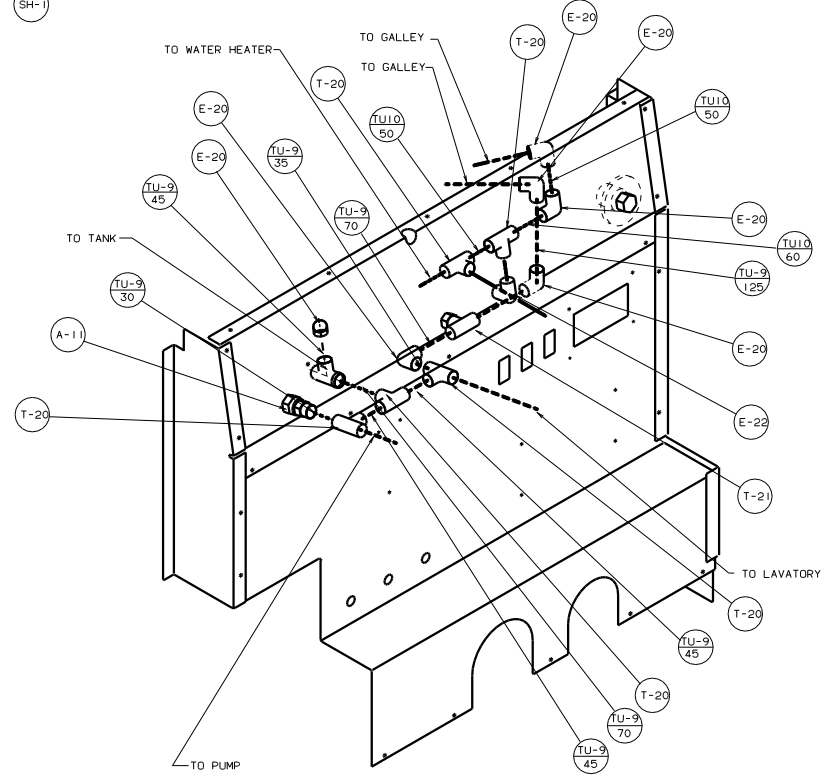
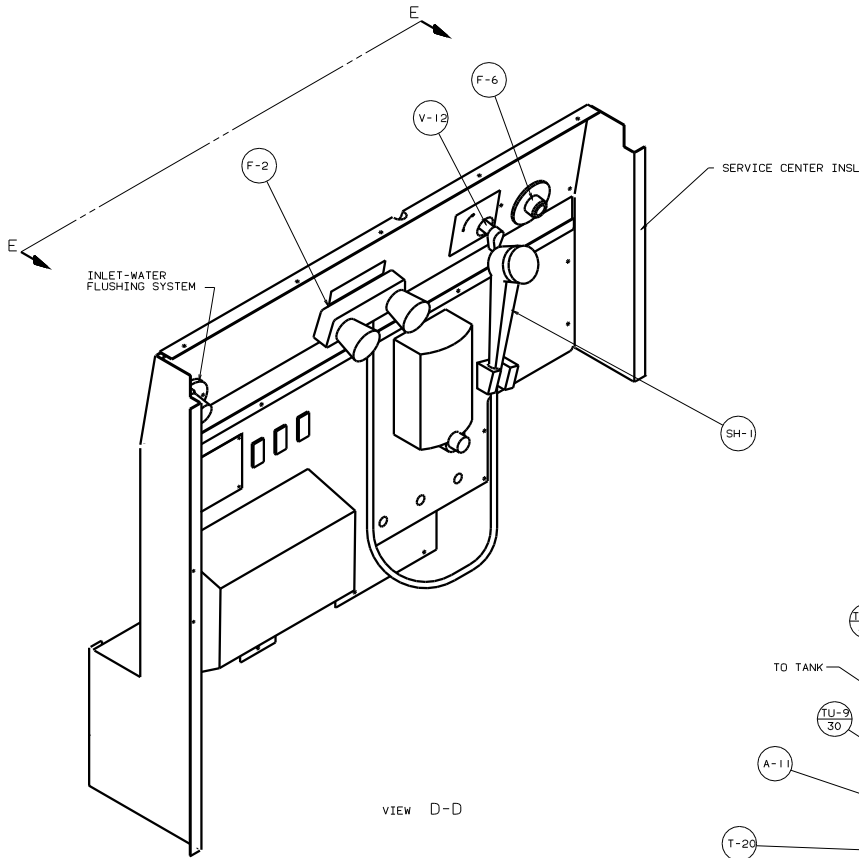
LEGEND	
HOT	-----
COLD	-----

(X-X)
 FOR WATER CALL-OUTS SEE DWG NO. 116230-01-000

WINNEBAGO		O1 G38K
DATE	UNDESIGNED TOLERANCES ARE:	MATERIAL
DATE	WHOLE DIM (IN)	F
DATE	ONE-PLACE (IN.XI)	.
DATE	TWO-PLACE (IN.XXX)	.
DATE	THREE-PLACE (IN.XXX)	.
DATE	FOUR-PLACE (IN.XXXX)	.
DATE	FIVE-PLACE (IN.XXXXX)	.
DATE	SIX-PLACE (IN.XXXXXX)	.
DATE	SEVEN-PLACE (IN.XXXXXXX)	.
DATE	EIGHT-PLACE (IN.XXXXXXX)	.
DATE	NINE-PLACE (IN.XXXXXXX)	.
DATE	TEN-PLACE (IN.XXXXXXX)	.
DATE	ELEVEN-PLACE (IN.XXXXXXX)	.
DATE	TWELVE-PLACE (IN.XXXXXXX)	.
DATE	THIRTEEN-PLACE (IN.XXXXXXX)	.
DATE	FOURTEEN-PLACE (IN.XXXXXXX)	.
DATE	FIFTEEN-PLACE (IN.XXXXXXX)	.
DATE	SIXTEEN-PLACE (IN.XXXXXXX)	.
DATE	SEVENTEEN-PLACE (IN.XXXXXXX)	.
DATE	EIGHTEEN-PLACE (IN.XXXXXXX)	.
DATE	NINETEEN-PLACE (IN.XXXXXXX)	.
DATE	TWENTY-PLACE (IN.XXXXXXX)	.
DATE	TWENTY-ONE-PLACE (IN.XXXXXXX)	.
DATE	TWENTY-TWO-PLACE (IN.XXXXXXX)	.
DATE	TWENTY-THREE-PLACE (IN.XXXXXXX)	.
DATE	TWENTY-FOUR-PLACE (IN.XXXXXXX)	.
DATE	TWENTY-FIVE-PLACE (IN.XXXXXXX)	.
DATE	TWENTY-SIX-PLACE (IN.XXXXXXX)	.
DATE	TWENTY-SEVEN-PLACE (IN.XXXXXXX)	.
DATE	TWENTY-EIGHT-PLACE (IN.XXXXXXX)	.
DATE	TWENTY-NINE-PLACE (IN.XXXXXXX)	.
DATE	THIRTY-PLACE (IN.XXXXXXX)	.
DATE	THIRTY-ONE-PLACE (IN.XXXXXXX)	.
DATE	THIRTY-TWO-PLACE (IN.XXXXXXX)	.
DATE	THIRTY-THREE-PLACE (IN.XXXXXXX)	.
DATE	THIRTY-FOUR-PLACE (IN.XXXXXXX)	.
DATE	THIRTY-FIVE-PLACE (IN.XXXXXXX)	.
DATE	THIRTY-SIX-PLACE (IN.XXXXXXX)	.
DATE	THIRTY-SEVEN-PLACE (IN.XXXXXXX)	.
DATE	THIRTY-EIGHT-PLACE (IN.XXXXXXX)	.
DATE	THIRTY-NINE-PLACE (IN.XXXXXXX)	.
DATE	FOURTY-PLACE (IN.XXXXXXX)	.
DATE	FOURTY-ONE-PLACE (IN.XXXXXXX)	.
DATE	FOURTY-TWO-PLACE (IN.XXXXXXX)	.
DATE	FOURTY-THREE-PLACE (IN.XXXXXXX)	.
DATE	FOURTY-FOUR-PLACE (IN.XXXXXXX)	.
DATE	FOURTY-FIVE-PLACE (IN.XXXXXXX)	.
DATE	FOURTY-SIX-PLACE (IN.XXXXXXX)	.
DATE	FOURTY-SEVEN-PLACE (IN.XXXXXXX)	.
DATE	FOURTY-EIGHT-PLACE (IN.XXXXXXX)	.
DATE	FOURTY-NINE-PLACE (IN.XXXXXXX)	.
DATE	FIFTY-PLACE (IN.XXXXXXX)	.
DATE	FIFTY-ONE-PLACE (IN.XXXXXXX)	.
DATE	FIFTY-TWO-PLACE (IN.XXXXXXX)	.
DATE	FIFTY-THREE-PLACE (IN.XXXXXXX)	.
DATE	FIFTY-FOUR-PLACE (IN.XXXXXXX)	.
DATE	FIFTY-FIVE-PLACE (IN.XXXXXXX)	.
DATE	FIFTY-SIX-PLACE (IN.XXXXXXX)	.
DATE	FIFTY-SEVEN-PLACE (IN.XXXXXXX)	.
DATE	FIFTY-EIGHT-PLACE (IN.XXXXXXX)	.
DATE	FIFTY-NINE-PLACE (IN.XXXXXXX)	.
DATE	SIXTY-PLACE (IN.XXXXXXX)	.
DATE	SIXTY-ONE-PLACE (IN.XXXXXXX)	.
DATE	SIXTY-TWO-PLACE (IN.XXXXXXX)	.
DATE	SIXTY-THREE-PLACE (IN.XXXXXXX)	.
DATE	SIXTY-FOUR-PLACE (IN.XXXXXXX)	.
DATE	SIXTY-FIVE-PLACE (IN.XXXXXXX)	.
DATE	SIXTY-SIX-PLACE (IN.XXXXXXX)	.
DATE	SIXTY-SEVEN-PLACE (IN.XXXXXXX)	.
DATE	SIXTY-EIGHT-PLACE (IN.XXXXXXX)	.
DATE	SIXTY-NINE-PLACE (IN.XXXXXXX)	.
DATE	SEVENTY-PLACE (IN.XXXXXXX)	.
DATE	SEVENTY-ONE-PLACE (IN.XXXXXXX)	.
DATE	SEVENTY-TWO-PLACE (IN.XXXXXXX)	.
DATE	SEVENTY-THREE-PLACE (IN.XXXXXXX)	.
DATE	SEVENTY-FOUR-PLACE (IN.XXXXXXX)	.
DATE	SEVENTY-FIVE-PLACE (IN.XXXXXXX)	.
DATE	SEVENTY-SIX-PLACE (IN.XXXXXXX)	.
DATE	SEVENTY-SEVEN-PLACE (IN.XXXXXXX)	.
DATE	SEVENTY-EIGHT-PLACE (IN.XXXXXXX)	.
DATE	SEVENTY-NINE-PLACE (IN.XXXXXXX)	.
DATE	EIGHTY-PLACE (IN.XXXXXXX)	.
DATE	EIGHTY-ONE-PLACE (IN.XXXXXXX)	.
DATE	EIGHTY-TWO-PLACE (IN.XXXXXXX)	.
DATE	EIGHTY-THREE-PLACE (IN.XXXXXXX)	.
DATE	EIGHTY-FOUR-PLACE (IN.XXXXXXX)	.
DATE	EIGHTY-FIVE-PLACE (IN.XXXXXXX)	.
DATE	EIGHTY-SIX-PLACE (IN.XXXXXXX)	.
DATE	EIGHTY-SEVEN-PLACE (IN.XXXXXXX)	.
DATE	EIGHTY-EIGHT-PLACE (IN.XXXXXXX)	.
DATE	EIGHTY-NINE-PLACE (IN.XXXXXXX)	.
DATE	NINETY-PLACE (IN.XXXXXXX)	.
DATE	NINETY-ONE-PLACE (IN.XXXXXXX)	.
DATE	NINETY-TWO-PLACE (IN.XXXXXXX)	.
DATE	NINETY-THREE-PLACE (IN.XXXXXXX)	.
DATE	NINETY-FOUR-PLACE (IN.XXXXXXX)	.
DATE	NINETY-FIVE-PLACE (IN.XXXXXXX)	.
DATE	NINETY-SIX-PLACE (IN.XXXXXXX)	.
DATE	NINETY-SEVEN-PLACE (IN.XXXXXXX)	.
DATE	NINETY-EIGHT-PLACE (IN.XXXXXXX)	.
DATE	NINETY-NINE-PLACE (IN.XXXXXXX)	.
DATE	HUNDRED-PLACE (IN.XXXXXXX)	.



TITLE: WATER SYSTEM INSTL		O1 Q38K	
NO. OF SHEETS	REV	DATE	BY
2 OF 5	1		



O1 Q38K	
TITLE: WATER SYSTEM INSTL	
30 1/2" SCALE DRAWING	1/16" 1/8" 1/4" 3/8" 1/2" 5/8" 3/4" 7/8" 1" 1 1/8" 1 1/4" 1 1/2" 1 3/4" 2" 2 1/4" 2 1/2" 2 3/4" 3" 3 1/4" 3 1/2" 3 3/4" 4" 4 1/4" 4 1/2" 4 3/4" 5" 5 1/4" 5 1/2" 5 3/4" 6" 6 1/4" 6 1/2" 6 3/4" 7" 7 1/4" 7 1/2" 7 3/4" 8" 8 1/4" 8 1/2" 8 3/4" 9" 9 1/4" 9 1/2" 9 3/4" 10"
SHEET 4 OF 5	135146

