

FRONT OF UNIT

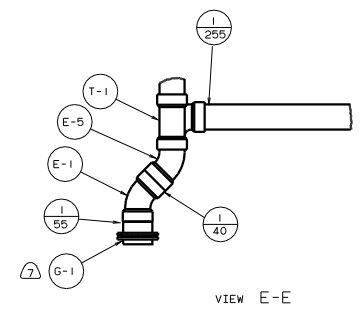
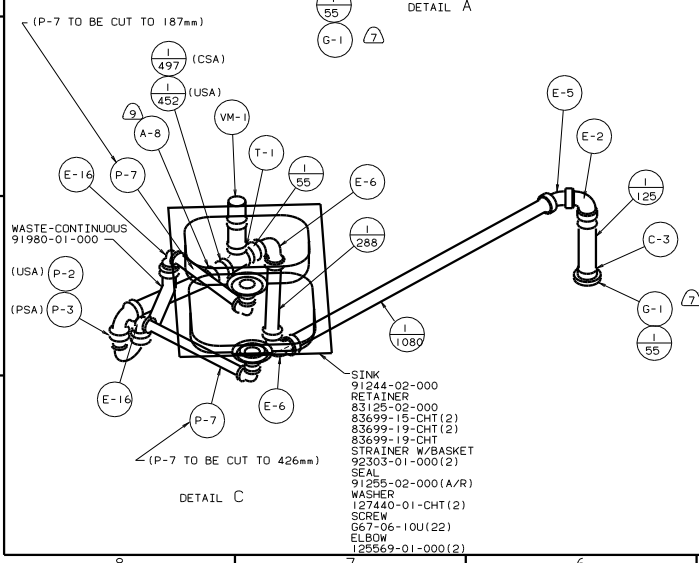
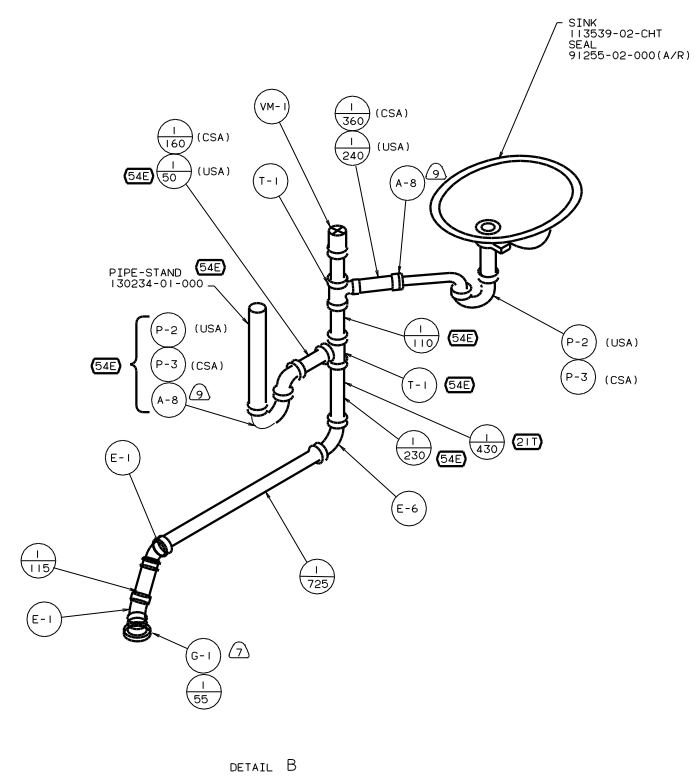
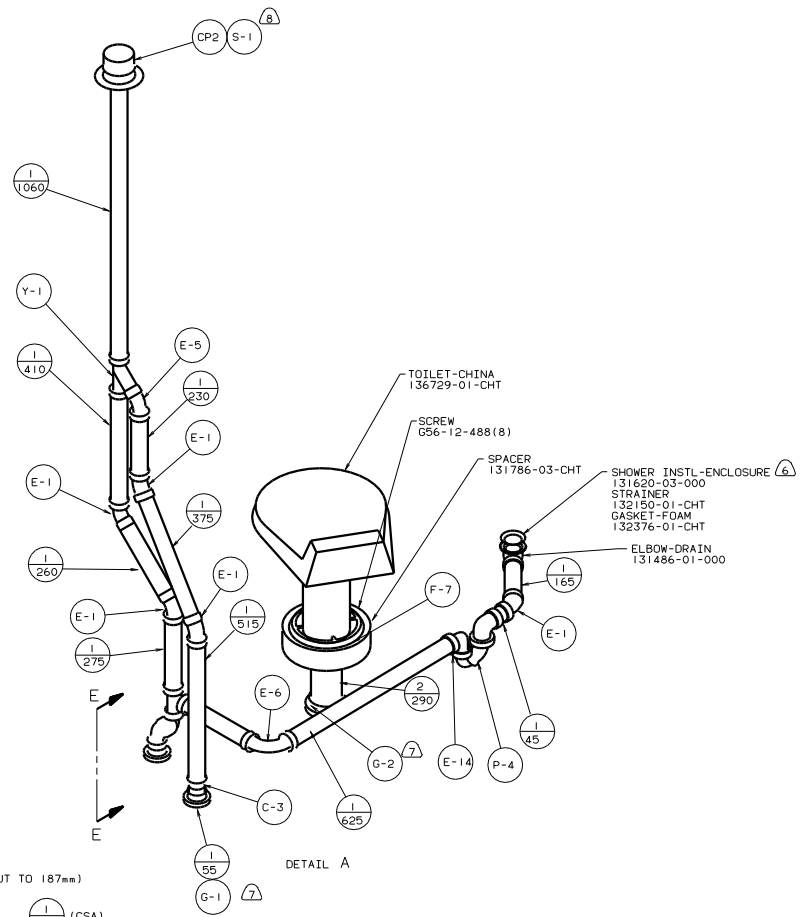
- 11. SECURE VENT TUBES TO FLOOR WITH BRACKET 95061-01-000(2) CLAMP 62401-02-000, SCREW G67-10-12B(2).
- 10. SECURE PIPES TO CABINET USING WIRE TIE 108046-02-000 AND SCREW G67-10-12U(8).
- 9. NOT USED ON CANADIAN UNITS.
- 8. VENT PIPE MUST PROJECT 51 MINIMUM TO 64 MAXIMUM ABOVE ROOF FOR PROPER FIT AND FUNCTION.
- 7. SEE DRAWING 61607-01-000 FOR INSTALLATION OF GROMMET.
- 6. SEAL ALL AROUND SHOWER PAN WITH SILICONE 78474-01-CHT.
- 5. FOR CANADIAN UNITS EACH HOLDING TANK SHALL HAVE A CSA APPROVAL STAMPED NEAR THE IAMPO APPROVAL.
- 4. ALL EXTERIOR OPENINGS AROUND PIPE TO BE SEALED WITH 69637-01-000.
- 3. ALL PIPE AND FITTINGS TO BE ASSEMBLED WITH SOLVENT 4020-01-000.
- 2. SLOPE OF TRAP MUST BE 6 PER 300 MINIMUM.
- 1. SLOPE OF HORIZONTAL PIPING TO BE 6 PER 300 MINIMUM.

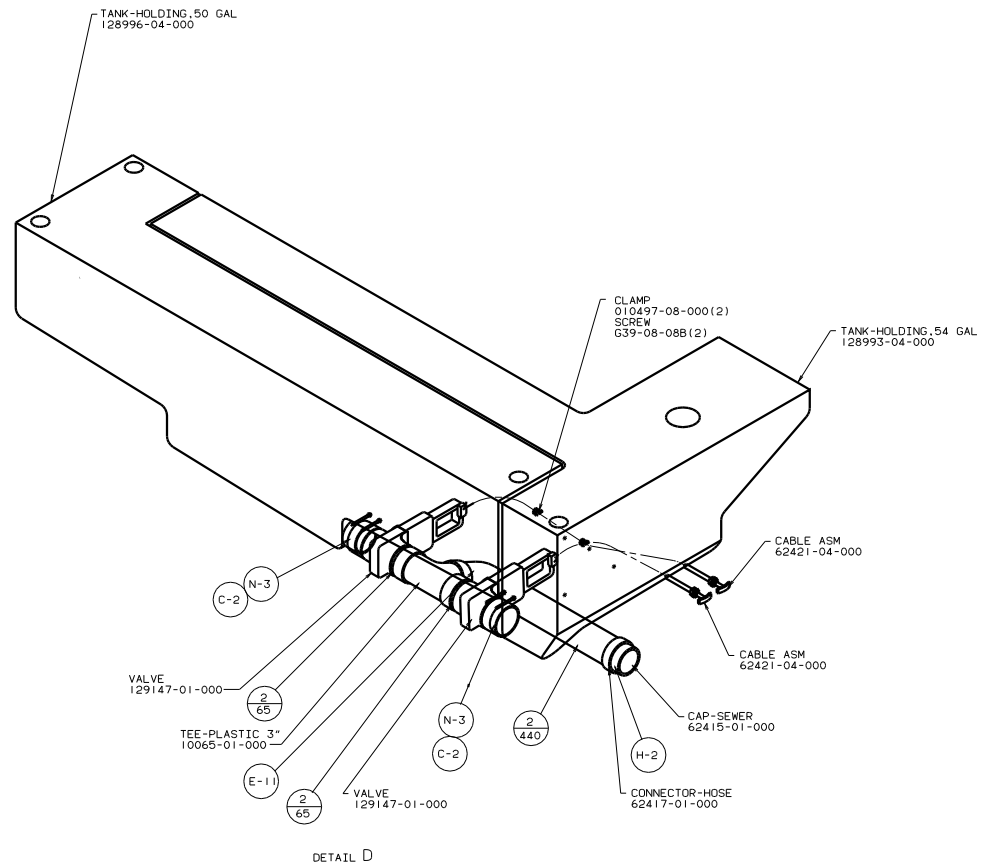
SUPPORT ASM-HOLDING TANK
 131297-01-CHT
 SCREW
 G39-08-08B(4)

- 211 WASHER/DRYER-WITHOUT
- 54E WASHER/DRYER

(X-X)
 FOR DRAINAGE CALLOUTS SEE DWG NO. 116229-01-000

WINNIEGAGO		O1 G36C	
QTY	DATE	UNSPECIFIED TOLERANCES ARE:	MATERIAL
CHG	DATE	WHOLE DIM (IN)	FRACTION
REV	DATE	ONE-PLACE (IN, IN)	
DATE	DATE	TWO-PLACE (IN, IN)	
DATE	DATE	THREE-PLACE (IN, IN)	
DATE	DATE	FOUR-PLACE (IN, IN)	
DATE	DATE	FIVE-PLACE (IN, IN)	
DATE	DATE	SIX-PLACE (IN, IN)	
DATE	DATE	SEVEN-PLACE (IN, IN)	
DATE	DATE	EIGHT-PLACE (IN, IN)	
DATE	DATE	NINE-PLACE (IN, IN)	
DATE	DATE	TEN-PLACE (IN, IN)	
DATE	DATE	ELEVEN-PLACE (IN, IN)	
DATE	DATE	TWELVE-PLACE (IN, IN)	
DATE	DATE	THIRTEEN-PLACE (IN, IN)	
DATE	DATE	FOURTEEN-PLACE (IN, IN)	
DATE	DATE	FIFTEEN-PLACE (IN, IN)	
DATE	DATE	SIXTEEN-PLACE (IN, IN)	
DATE	DATE	SEVENTEEN-PLACE (IN, IN)	
DATE	DATE	EIGHTEEN-PLACE (IN, IN)	
DATE	DATE	NINETEEN-PLACE (IN, IN)	
DATE	DATE	TWENTY-PLACE (IN, IN)	
DATE	DATE	TWENTY-ONE-PLACE (IN, IN)	
DATE	DATE	TWENTY-TWO-PLACE (IN, IN)	
DATE	DATE	TWENTY-THREE-PLACE (IN, IN)	
DATE	DATE	TWENTY-FOUR-PLACE (IN, IN)	
DATE	DATE	TWENTY-FIVE-PLACE (IN, IN)	
DATE	DATE	TWENTY-SIX-PLACE (IN, IN)	
DATE	DATE	TWENTY-SEVEN-PLACE (IN, IN)	
DATE	DATE	TWENTY-EIGHT-PLACE (IN, IN)	
DATE	DATE	TWENTY-NINE-PLACE (IN, IN)	
DATE	DATE	THIRTY-PLACE (IN, IN)	
DATE	DATE	THIRTY-ONE-PLACE (IN, IN)	
DATE	DATE	THIRTY-TWO-PLACE (IN, IN)	
DATE	DATE	THIRTY-THREE-PLACE (IN, IN)	
DATE	DATE	THIRTY-FOUR-PLACE (IN, IN)	
DATE	DATE	THIRTY-FIVE-PLACE (IN, IN)	
DATE	DATE	THIRTY-SIX-PLACE (IN, IN)	
DATE	DATE	THIRTY-SEVEN-PLACE (IN, IN)	
DATE	DATE	THIRTY-EIGHT-PLACE (IN, IN)	
DATE	DATE	THIRTY-NINE-PLACE (IN, IN)	
DATE	DATE	FOURTY-PLACE (IN, IN)	
DATE	DATE	FOURTY-ONE-PLACE (IN, IN)	
DATE	DATE	FOURTY-TWO-PLACE (IN, IN)	
DATE	DATE	FOURTY-THREE-PLACE (IN, IN)	
DATE	DATE	FOURTY-FOUR-PLACE (IN, IN)	
DATE	DATE	FOURTY-FIVE-PLACE (IN, IN)	
DATE	DATE	FOURTY-SIX-PLACE (IN, IN)	
DATE	DATE	FOURTY-SEVEN-PLACE (IN, IN)	
DATE	DATE	FOURTY-EIGHT-PLACE (IN, IN)	
DATE	DATE	FOURTY-NINE-PLACE (IN, IN)	
DATE	DATE	FIFTY-PLACE (IN, IN)	
DATE	DATE	FIFTY-ONE-PLACE (IN, IN)	
DATE	DATE	FIFTY-TWO-PLACE (IN, IN)	
DATE	DATE	FIFTY-THREE-PLACE (IN, IN)	
DATE	DATE	FIFTY-FOUR-PLACE (IN, IN)	
DATE	DATE	FIFTY-FIVE-PLACE (IN, IN)	
DATE	DATE	FIFTY-SIX-PLACE (IN, IN)	
DATE	DATE	FIFTY-SEVEN-PLACE (IN, IN)	
DATE	DATE	FIFTY-EIGHT-PLACE (IN, IN)	
DATE	DATE	FIFTY-NINE-PLACE (IN, IN)	
DATE	DATE	SIXTY-PLACE (IN, IN)	
DATE	DATE	SIXTY-ONE-PLACE (IN, IN)	
DATE	DATE	SIXTY-TWO-PLACE (IN, IN)	
DATE	DATE	SIXTY-THREE-PLACE (IN, IN)	
DATE	DATE	SIXTY-FOUR-PLACE (IN, IN)	
DATE	DATE	SIXTY-FIVE-PLACE (IN, IN)	
DATE	DATE	SIXTY-SIX-PLACE (IN, IN)	
DATE	DATE	SIXTY-SEVEN-PLACE (IN, IN)	
DATE	DATE	SIXTY-EIGHT-PLACE (IN, IN)	
DATE	DATE	SIXTY-NINE-PLACE (IN, IN)	
DATE	DATE	SEVENTY-PLACE (IN, IN)	
DATE	DATE	SEVENTY-ONE-PLACE (IN, IN)	
DATE	DATE	SEVENTY-TWO-PLACE (IN, IN)	
DATE	DATE	SEVENTY-THREE-PLACE (IN, IN)	
DATE	DATE	SEVENTY-FOUR-PLACE (IN, IN)	
DATE	DATE	SEVENTY-FIVE-PLACE (IN, IN)	
DATE	DATE	SEVENTY-SIX-PLACE (IN, IN)	
DATE	DATE	SEVENTY-SEVEN-PLACE (IN, IN)	
DATE	DATE	SEVENTY-EIGHT-PLACE (IN, IN)	
DATE	DATE	SEVENTY-NINE-PLACE (IN, IN)	
DATE	DATE	EIGHTY-PLACE (IN, IN)	
DATE	DATE	EIGHTY-ONE-PLACE (IN, IN)	
DATE	DATE	EIGHTY-TWO-PLACE (IN, IN)	
DATE	DATE	EIGHTY-THREE-PLACE (IN, IN)	
DATE	DATE	EIGHTY-FOUR-PLACE (IN, IN)	
DATE	DATE	EIGHTY-FIVE-PLACE (IN, IN)	
DATE	DATE	EIGHTY-SIX-PLACE (IN, IN)	
DATE	DATE	EIGHTY-SEVEN-PLACE (IN, IN)	
DATE	DATE	EIGHTY-EIGHT-PLACE (IN, IN)	
DATE	DATE	EIGHTY-NINE-PLACE (IN, IN)	
DATE	DATE	NINETY-PLACE (IN, IN)	
DATE	DATE	NINETY-ONE-PLACE (IN, IN)	
DATE	DATE	NINETY-TWO-PLACE (IN, IN)	
DATE	DATE	NINETY-THREE-PLACE (IN, IN)	
DATE	DATE	NINETY-FOUR-PLACE (IN, IN)	
DATE	DATE	NINETY-FIVE-PLACE (IN, IN)	
DATE	DATE	NINETY-SIX-PLACE (IN, IN)	
DATE	DATE	NINETY-SEVEN-PLACE (IN, IN)	
DATE	DATE	NINETY-EIGHT-PLACE (IN, IN)	
DATE	DATE	NINETY-NINE-PLACE (IN, IN)	
DATE	DATE	HUNDRED-PLACE (IN, IN)	

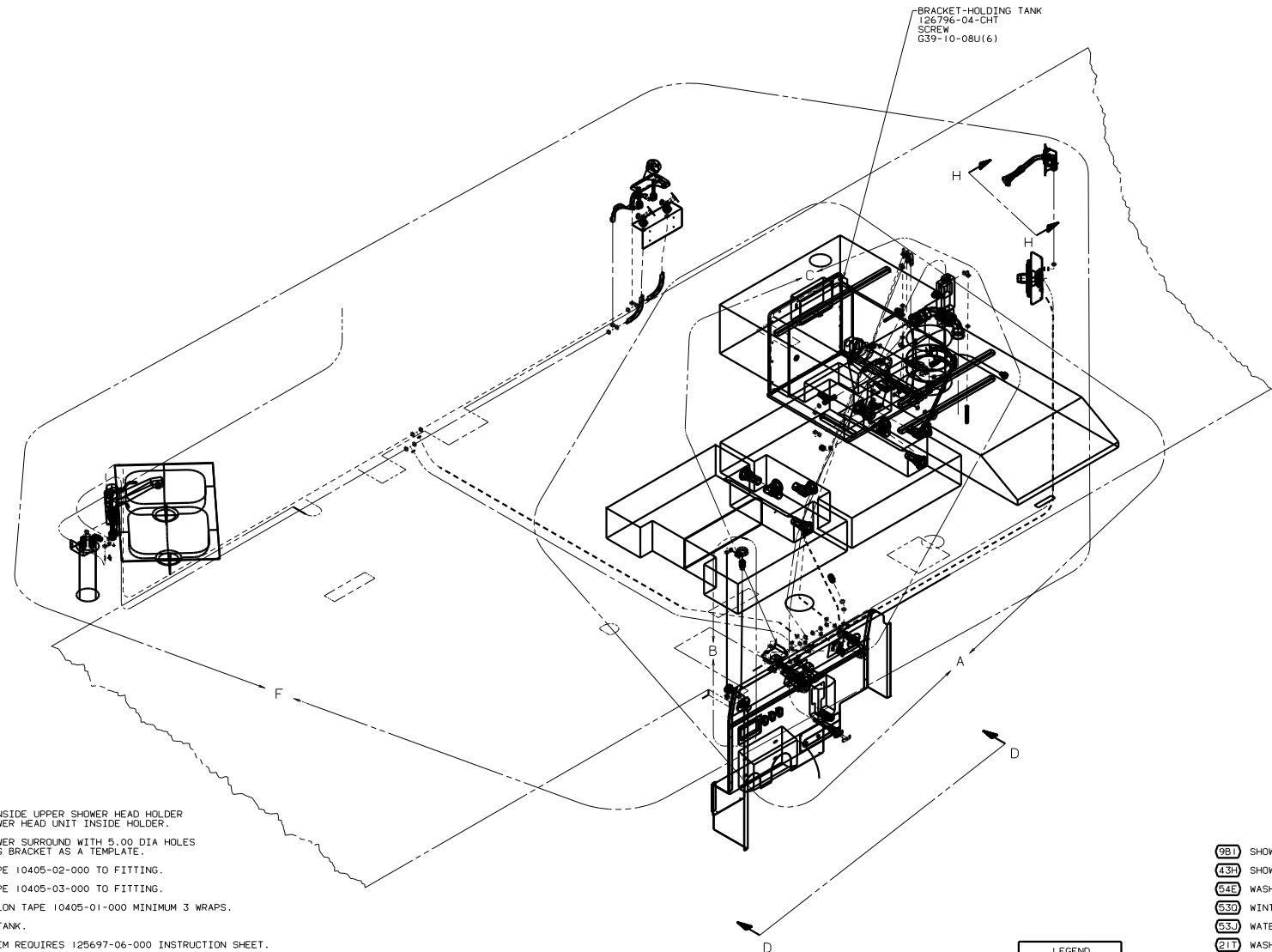




DETAIL D

01 Q36C

TITLE: DRAINAGE SYSTEM INSTL		DWG NO: 135150	
DATE: 3/03	BY: J.E.	CHECKED: 3/03	BY: J.E.
SHEET 3 OF 3		PAGE 16	



- 11 APPLY DECAL INSIDE UPPER SHOWER HEAD HOLDER TO RETAIN SHOWER HEAD UNIT INSIDE HOLDER.
 - 10 PRE DRILL SHOWER SURROUND WITH 5.00 DIA HOLES USING MOUNTING BRACKET AS A TEMPLATE.
 - 9 ADD TEFLON TAPE 10405-02-000 TO FITTING.
 - 8 ADD TEFLON TAPE 10405-03-000 TO FITTING.
 - 7 WRAP WITH TEFLON TAPE 10405-01-000 MINIMUM 3 WRAPS.
 - 6 INSTALL WITH TANK.
 - 5 FLUSHING SYSTEM REQUIRES 125697-06-000 INSTRUCTION SHEET.
 - 4 USE DETAIL "Q" IN THIS AREA (BOTH ENDS OF TUBING).
3. ALL TUBING TO BE SECURED AT 1200 INTERVALS MAXIMUM WITH CLAMP 10495-01-000 OR CLIP 91951-01-000 AND SCREW G67-10-12B.
2. TUBING TO BE INSTALLED WITH SUFFICIENT SLOPE TO PROVIDE DRAINAGE TO NEAREST VALVE.
1. PLASTIC FITTINGS TO BE SEALED WITH SEALANT 84456-01-000.

- 981 SHOWER PACKAGE
- 43H SHOWER HEAD-HAND HELD
- 64E WASHER/DRYER
- 63O WINTERIZING KIT
- 63O WATER HEATER BY-PASS-VALVE
- 211 WASHER/DRYER-WITHOUT

LEGEND	
HOT	—————
COLD	-----

(X-X)
FOR WATER CALL-OUTS SEE DWG NO. 116230-01-000

		01 G36C	
QTY	DATE	UNSPECIFIED TOLERANCES ARE:	MATERIAL
CHP	DATE	WHOLE DIM (IN)	F
FPE	DATE	ONE-PLACE (IN.XI)	.
FVE	DATE	TWO-PLACE (IN.XX)	.
CDHP	DATE	ANGLE	
	DATE	THIRD ANGLE PERSPECTIVE	
LANE#	036C	TITLE	WATER SYSTEM INSTL
DWG #	SCALE	NOTE	NO. OF SHEETS
ALL DIMENSIONS ARE IN MILLIMETERS	SHEET 1 OF 5	DATE	135147

NIPPLE-PLAS
102024-01-000

E-34

TU1A
100

E-21

TU-9
150

E-20

V-16

E-33

U-1

F-5

PIPE-FLEX 1 1/2
126426-01-000
(460)

TU-9
730

TANK ASM-WATER, .60 GAL
128784-02-000

TANK ASM-WATER, .20 GAL
128785-02-000

F-5

A-4

FOAM
100619-01-000
(215 X 165) (4)
(2 PER SIDE)

CH-1
2

TU13
400

A-4

E-11

CH-1
2

TU13
400

E-11

E-11

A-4

TU13
400

CH-1
2

A-4

CH-1
2

TANK ASM-WATER, .20 GAL
128785-03-000

A-4

FOAM
200619-01-000
(215 X 165) (2)
(1 PER SIDE)

PLATE ASM-W/HOLES
130963-01-CHT (2)
PLATE ASM-W/WELD STUD
130964-01-CHT (2)
NUT-HEX W/NYLON LOK
D29-06-00B (2)

CABLE
62421-07-000

DETAIL A

E-21 (9)

CHECK VALVE
125697-03-000

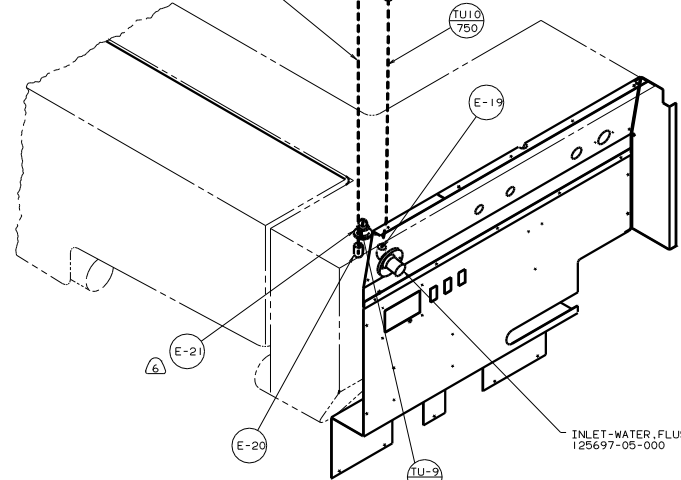
BREAKER-VACUUM
125697-04-000

A-12 (9)

TU-9
785

TU10
750

E-19



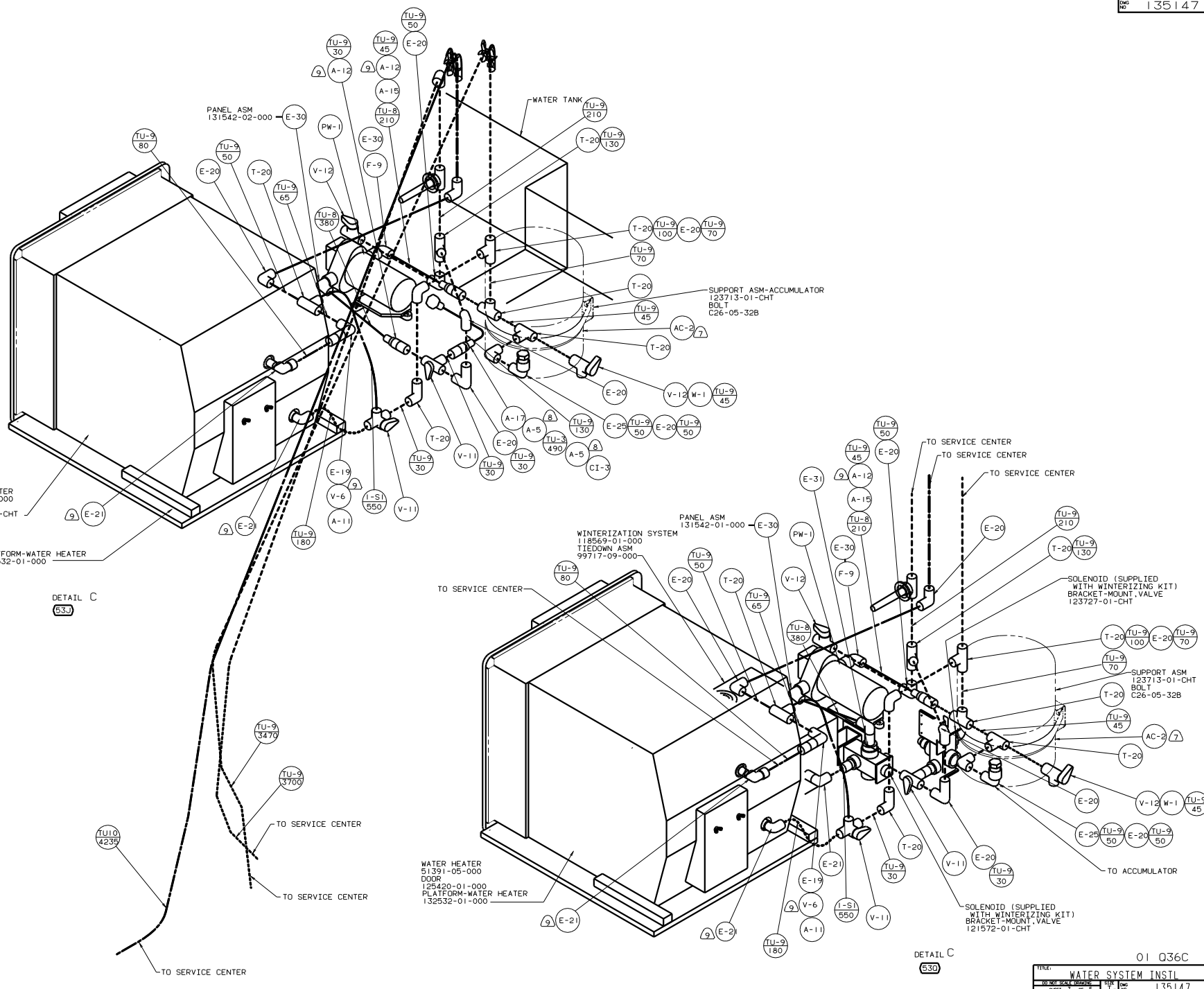
E-21 (6)

E-20

TU-9
75

DETAIL B (5)
FLUSHING SYSTEM

TITLE		01 Q36C	
WATER SYSTEM INSTL		135147	
NO. OF SHEETS	TOTAL SHEETS	DATE	REV.
2	5		1

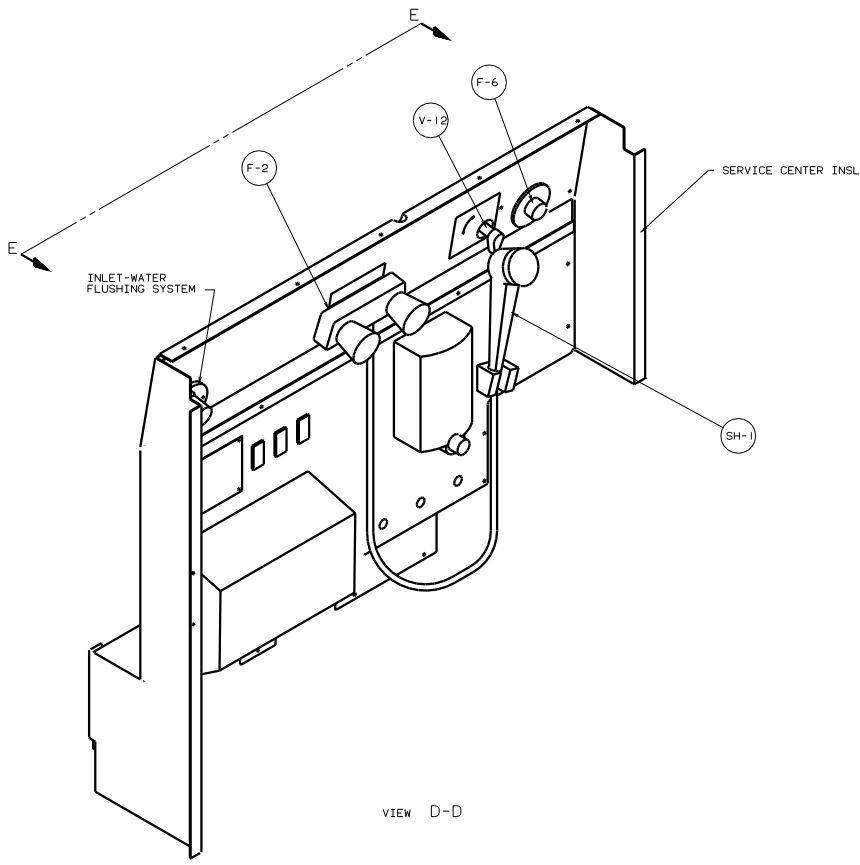


DETAIL C 530

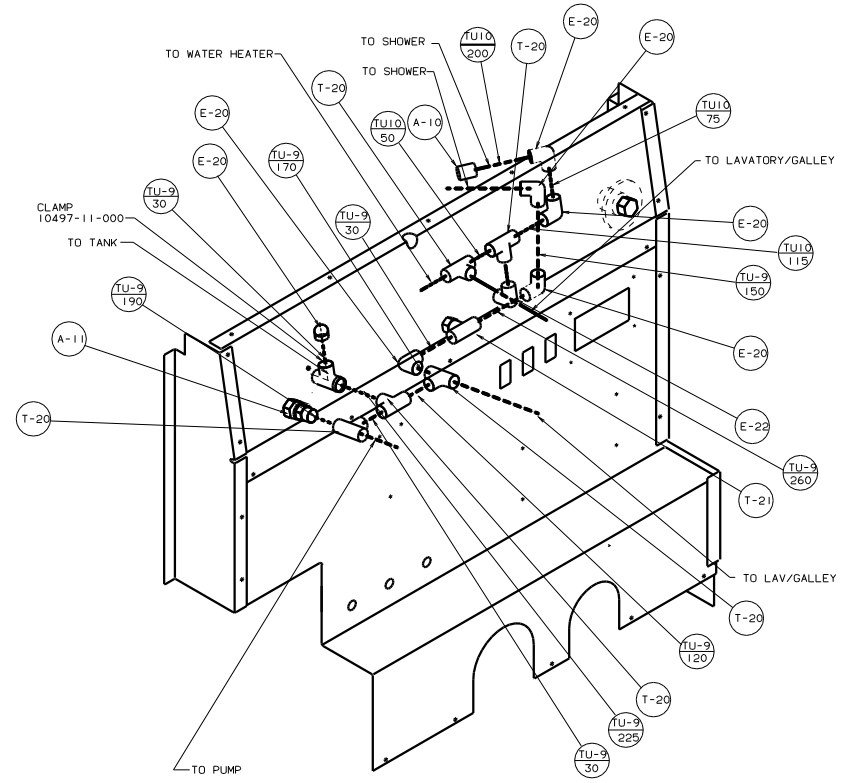
DETAIL C 530

01 Q36C

TITLE		WATER SYSTEM INSTL	
NO	SCALE	REV	DATE
1		1	11/01/00
SHEET 3 OF 5		135147	

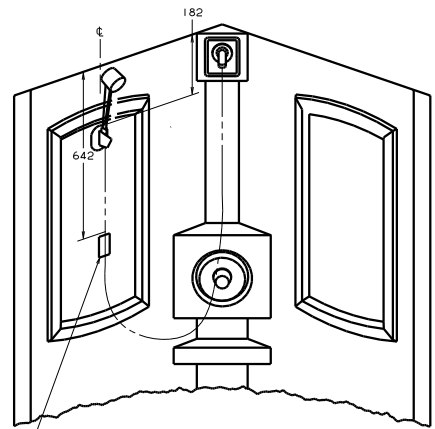


VIEW D-D

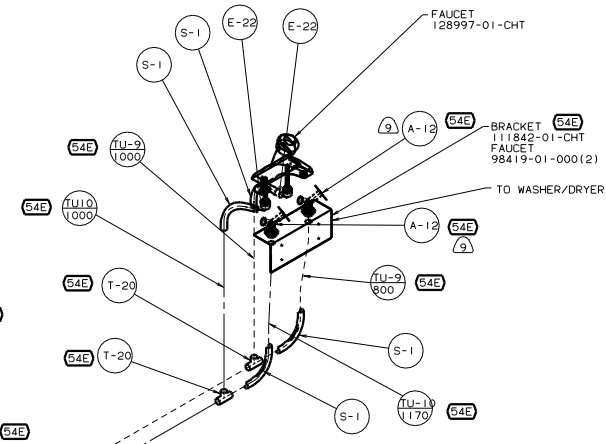


VIEW E-E

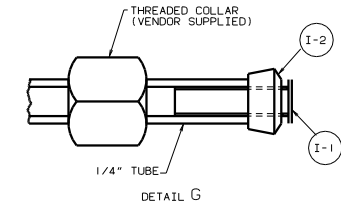
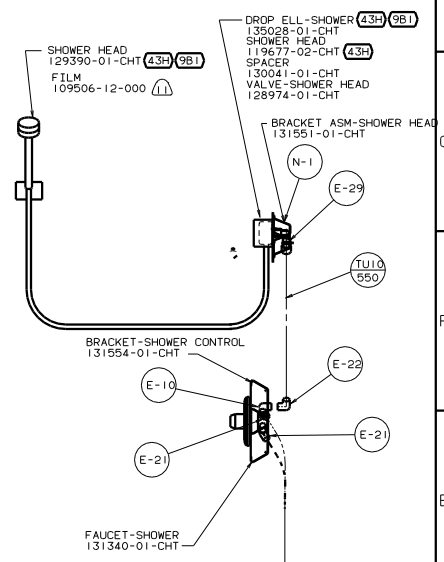
01 Q36C	
TITLE: WATER SYSTEM INSL	
NO. OF SHEETS	TOT. SHEETS
4 OF 5	16
135147	



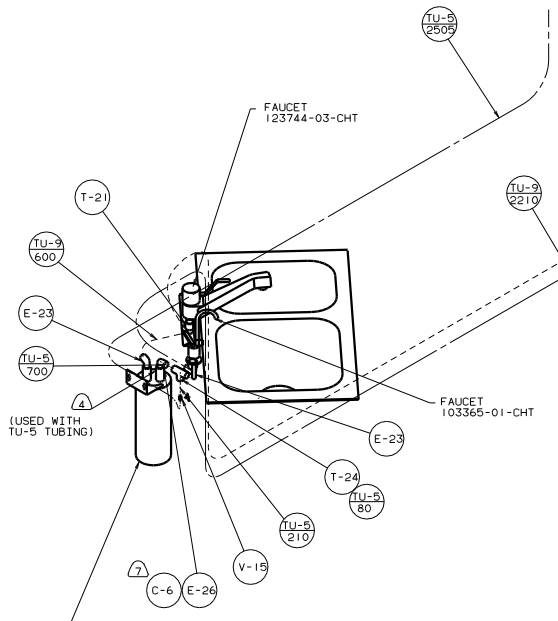
DETAIL H (43H) (9B1)



DETAIL F



DETAIL G



- FILTER 87200-01-000
- CARTRIDGE 87200-01-000
- SCREW 667-10-12U (2)

(USED WITH TU-5 TUBING)

01 Q36C	
TITLE: WATER SYSTEM INSTL	
NO. OF SHEETS: 5	SHEET: 5 OF 5
DATE: 1/16/05	REV: 1
135147	